



US00D479943S

(12) **United States Design Patent** (10) **Patent No.:** **US D479,943 S**
Smith-Berry et al. (45) **Date of Patent:** **** Sep. 30, 2003**

(54) **TOASTER OVEN**

(75) Inventors: **Holly Smith-Berry**, Millersburg, MI (US); **Marc Drucker**, Brighton, MA (US); **Rafael Yopez**, Jamaica Plain, MA (US)

(73) Assignee: **Salton, Inc.**, Lake Forest, IL (US)

(**) Term: **14 Years**

(21) Appl. No.: **29/140,495**

(22) Filed: **Apr. 18, 2001**

Related U.S. Application Data

(62) Division of application No. 29/119,984, filed on Mar. 10, 2000.

(51) **LOC (7) Cl.** **07-02**

(52) **U.S. Cl.** **D7/350.4**

(58) **Field of Search** D32/31-33, 22, D32/25; 15/322, 327.1-327.7, 329, 362, 393, 398, 400-401, 415.1-422.1

(56) **References Cited**

U.S. PATENT DOCUMENTS

- D336,814 S * 6/1993 Brookshire D7/350
- D380,643 S * 7/1997 Piret D7/350
- D381,861 S * 8/1997 Rorke et al. D7/350
- D386,938 S * 12/1997 Piret D7/350
- D403,201 S * 12/1998 Cruz et al. D7/350
- D412,637 S * 8/1999 Piret D7/350
- D415,926 S * 11/1999 De'Longhi D7/350
- D420,245 S * 2/2000 De'Longhi D7/351

OTHER PUBLICATIONS

- "Toastmaster, The name good cooks trust", 1982-83, TM 12-82, p. 5, Product No. 7030.
- "Toastmaster, The name good cooks trust", 1982-83, TM 12-82, p. 5, Product No. 7050.
- "Toastmaster, The name good cooks trust", 1982-83, TM 12-82, p. 7, Product No. 5250.

"Toastmaster, The name good cooks trust", 1982-83, TM 12-82, p. 7, Product No. 5242.

"Toastmaster, The name good cooks trust", 1982-83, TM 12-82, p. 7, Product No. 5233.

"Toastmaster, The name good cooks trust", 1982-83, TM 12-82, p. 7, Product No. 5230.

"Toastmaster, The name good cooks trust", 1982-83, TM 12-82, p. 9, Product No. 320.

"Toastmaster, The name good cooks trust", 1984-1985, TM35-10/83, Product No. 365.

"Toastmaster, The name good cooks trust", 1984-1985, TM35-10/83, Product No. 360.

"Toastmaster, The name good cooks trust", 1984-1985, TM35-10/83, Product No. 340.

"Toastmaster, The name good cooks trust", 1984-1985, TM35-10/83, Product No. 335.

"Toastmaster, The name good cooks trust", 1984-1985, TM35-10/83, Product No. 330.

(List continued on next page.)

Primary Examiner—Ruth McInroy

(74) *Attorney, Agent, or Firm*—Seed Intellectual Property Law Group PLLC

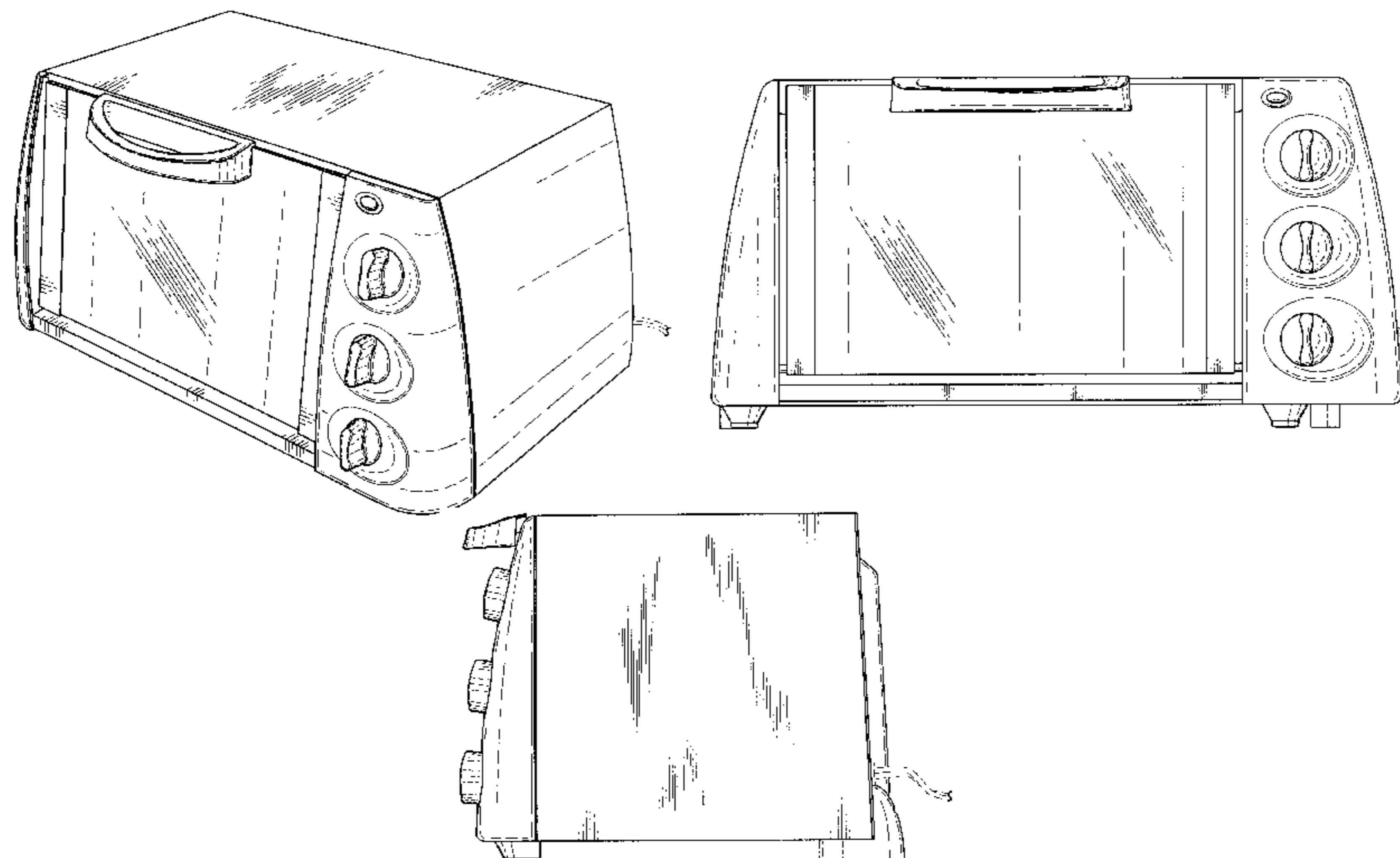
(57) **CLAIM**

The ornamental design for a toaster oven, as shown and described.

DESCRIPTION

FIG. 1 is a front isometric view of a toaster oven showing our new design;
 FIG. 2 is a front elevational view thereof;
 FIG. 3 is a rear elevational view thereof;
 FIG. 4 is a top plan view thereof;
 FIG. 5 is a bottom plan view thereof;
 FIG. 6 is a right side elevational view thereof; and,
 FIG. 7 is a left side elevational view thereof.
 The details shown in broken lines are for illustrative purposes only and form no part of the claimed design.

1 Claim, 4 Drawing Sheets



OTHER PUBLICATIONS

- “Toastmaster, The name good cooks trust”, 1984–1985, TM35–10/83, Product No. 321.
- “Toastmaster, The name good cooks trust”, 1984–1985, TM35–10/83, Product No. 5266.
- “Toastmaster, The name good cooks trust”, 1984–1985, TM35–10/83, Product No. 7009.
- “Toastmaster, The name good cooks trust”, 1984–1985, TM35–10/83, Product No. 5230.
- “Toastmaster, The name good cooks trust”, 1984–1985, TM35–10/83, Product No. 7065.
- “Toastmaster, The name good cooks trust”, 1984–1985, TM35–10/83, Product No. 7061.
- “Toastmaster, The name good cooks trust”, 1982–1983, TM–12/82, Product No. 999032.
- “Toastmaster, The Recipe for Success”, Appliances 1994, p. 9, TM 8–3–94, Product No. 391.
- “Toastmaster, The Recipe for Success”, Appliances 1994, TM 8–3–94, p. 8; Product No. 300.
- “Toastmaster, The Recipe for Success”, Appliances 1994, TM 8–3–94, p. 8, Product No. 301.
- “Toastmaster, The Recipe for Success”, Appliances 1994, TM 8–3–94, p. 9, Product No. 392.
- “Toastmaster, The Recipe for Success”, Appliances 1994, TM 8–3–94, p. 10, Product No. 342X.
- “Toastmaster, The Recipe for Success”, Appliances 1994, TM 8–3–94, p. 10, Product No. 344X.
- “Toastmaster, The Recipe for Success”, Appliances 1994, TM 8–3–94, p. 11, Product No. 396.
- “Toastmaster, The Recipe for Success”, Appliances 1994, TM 8–3–94, p. 11, Product No. 5268.
- “Toastmaster, The Recipe for Success”, Appliances 1994, TM 8–3–94, p. 11, Product No. 7010.
- “Toastmaster, The Recipe for Success”, Appliances 1994, TM 8–3–94, p. 12, Product No. 7091.
- “Toastmaster, The Recipe for Success”, Appliances 1994, TM 8–3–94, p. 12, Product No. 7094.
- “Toastmaster, The Mark of a Winner”, 1996 Appliances Catalog, TM28–3/96, p. 11, Product No. 306.
- “Toastmaster, The Mark of a Winner”, 1996 Appliances Catalog, TM28–3/96, p. 11, Product No. 305.
- “Toastmaster, The Mark of a Winner”, 1996 Appliances Catalog, TM28–3/96, p. 12, Product No. 5268X.
- “Toastmaster, Counter Top, Toastmaster brings it home”, TM 65–12/96, p. 3, Product No. 309.
- “Toastmaster, Counter Top, Toastmaster brings it home”, TM 65–12/96, p. 3, Product No. 316.
- “Toastmaster, Counter Top, Toastmaster brings it home”, TM 65–12/96, p. 4, Product No. 317.
- “Toastmaster, Counter Top, Toastmaster brings it home”, TM 65–12/96, p. 6, Product No. 398.
- “Toastmaster, Platinum, Toastmaster brings it home”, TM 80–03/97, p. 5, Product No. 397S.
- Specification Brochure, Product No. 399.
- Specification Brochure, Product No. 7093.
- “Toastmaster, Platinum appliance catalog”, Product No. 303S.
- “Toastmaster, Platinum appliance catalog”, Product No. 347X.
- “Toastmaster, Platinum appliance catalog”, Product No. 393S.
- “Toastmaster, Platinum appliance catalog”, Product No. 396S.
- Loose Flyer, Product No. 369.

* cited by examiner

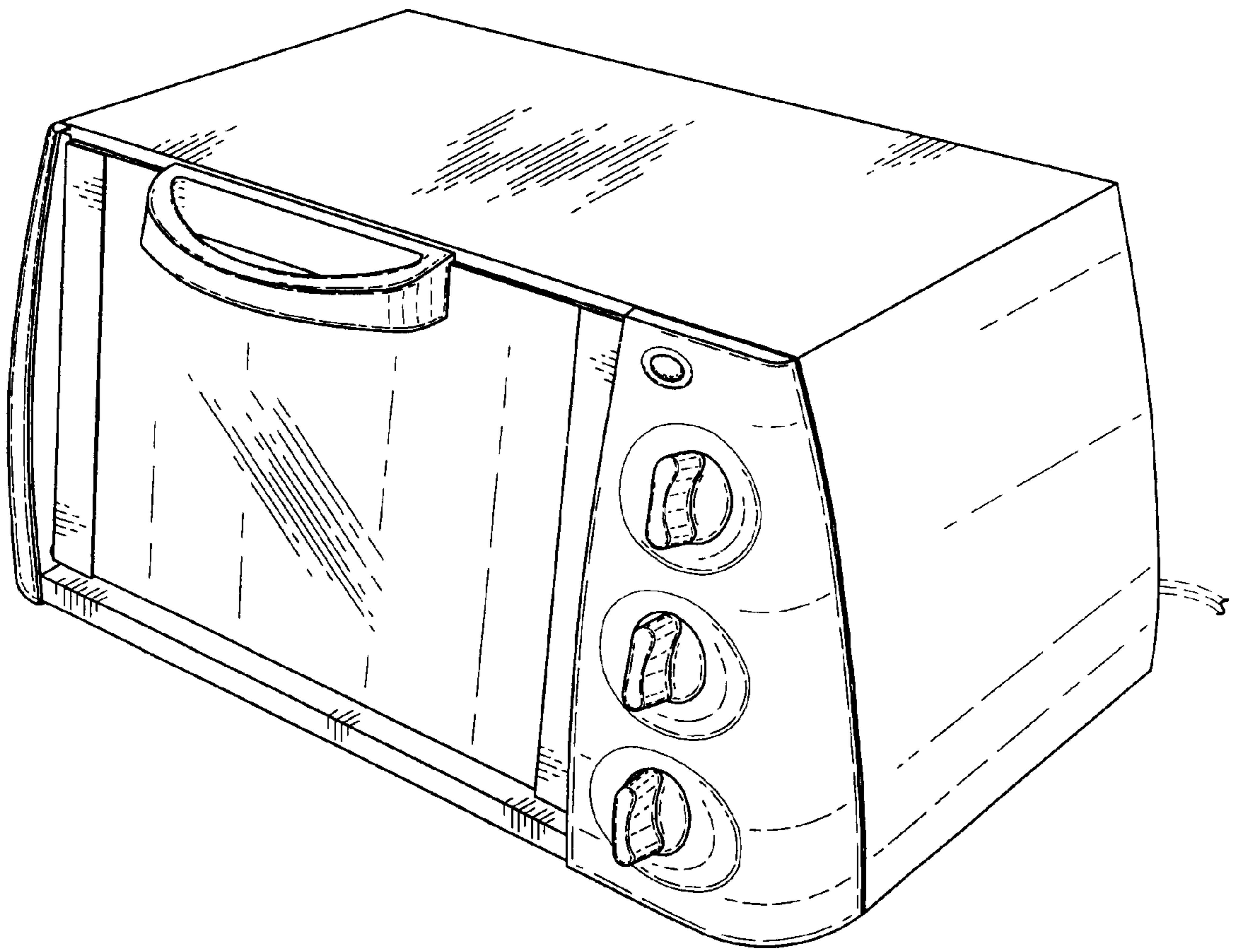


Fig. 1

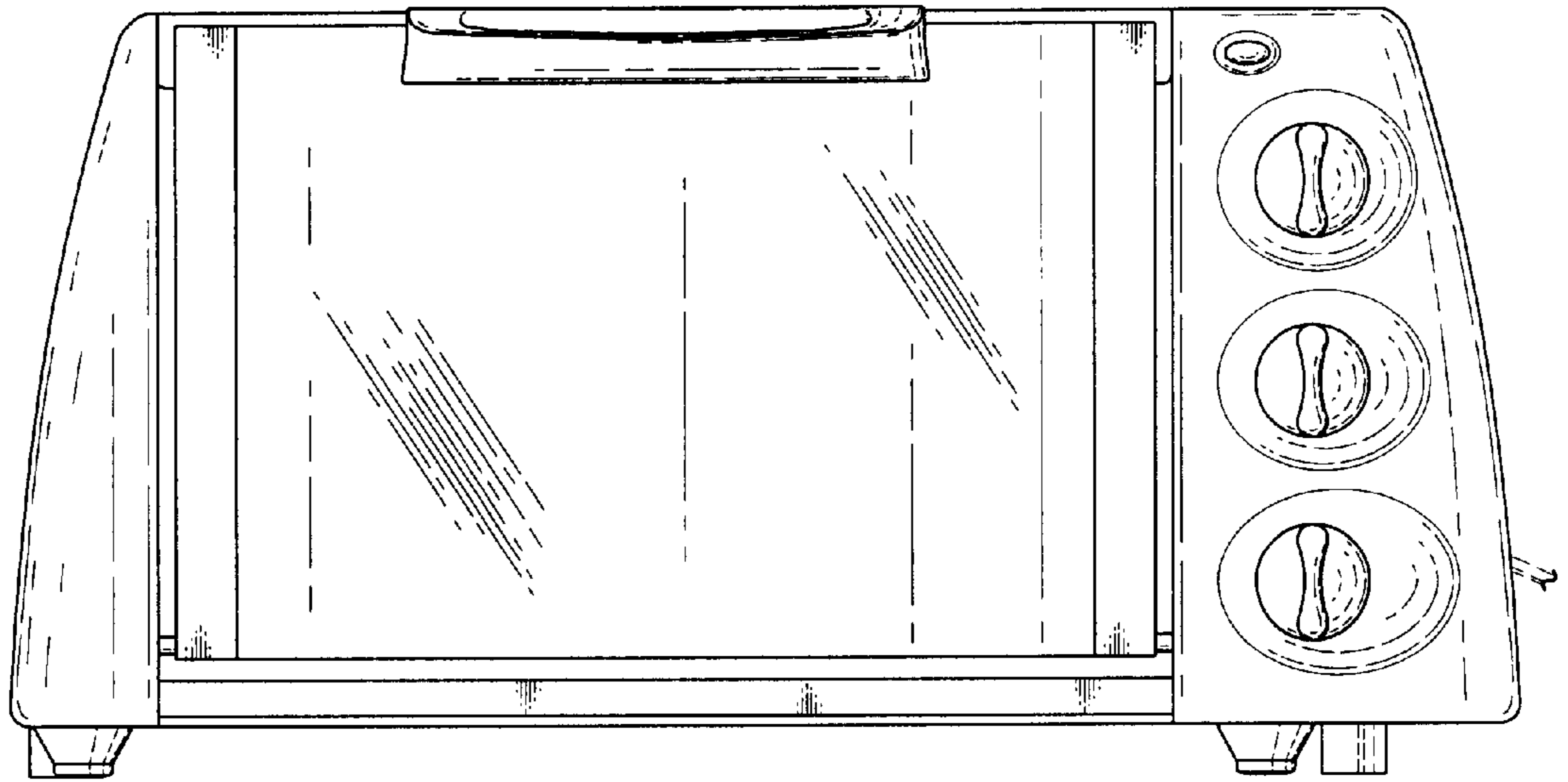


Fig. 2

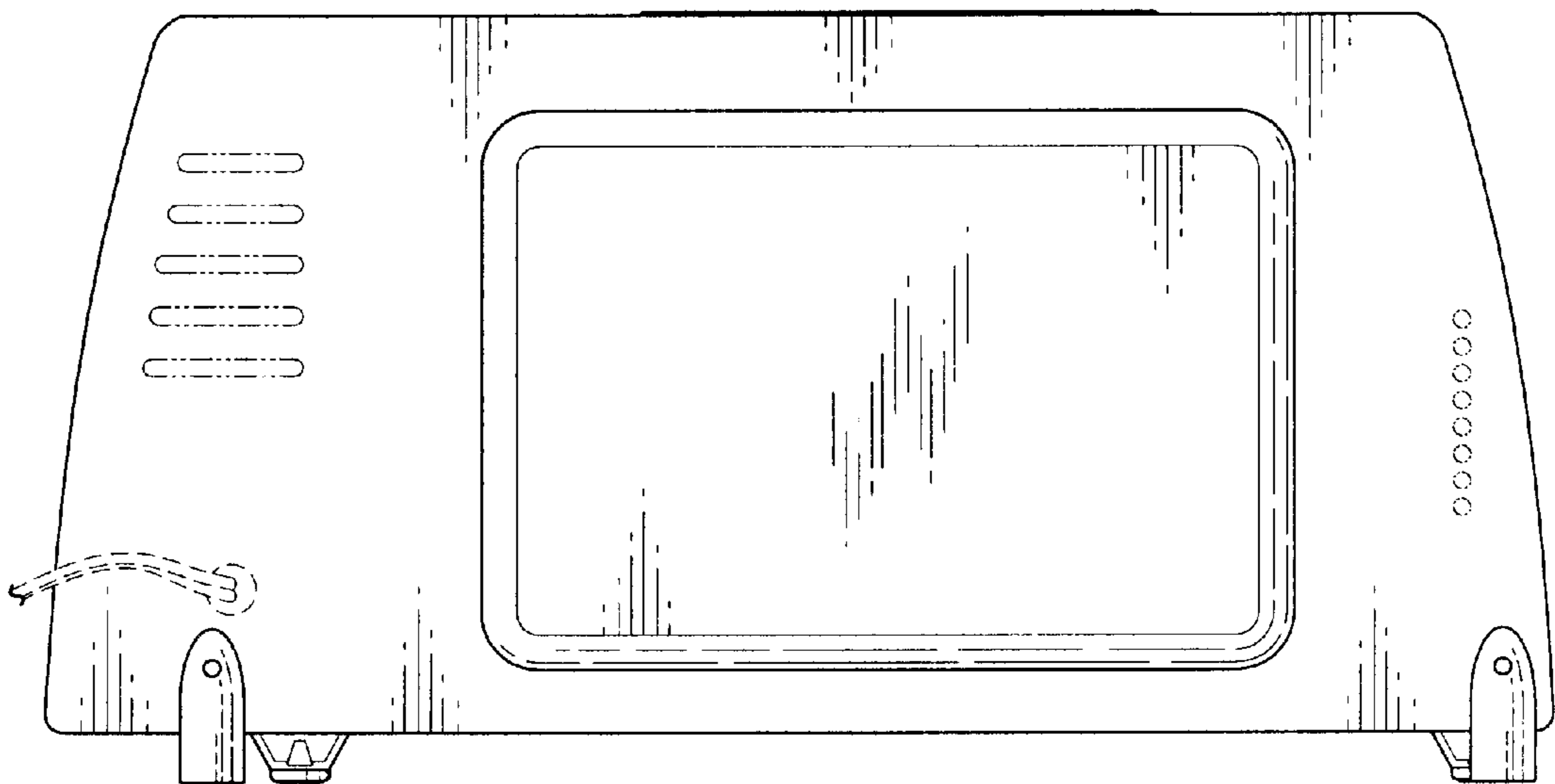


Fig. 3

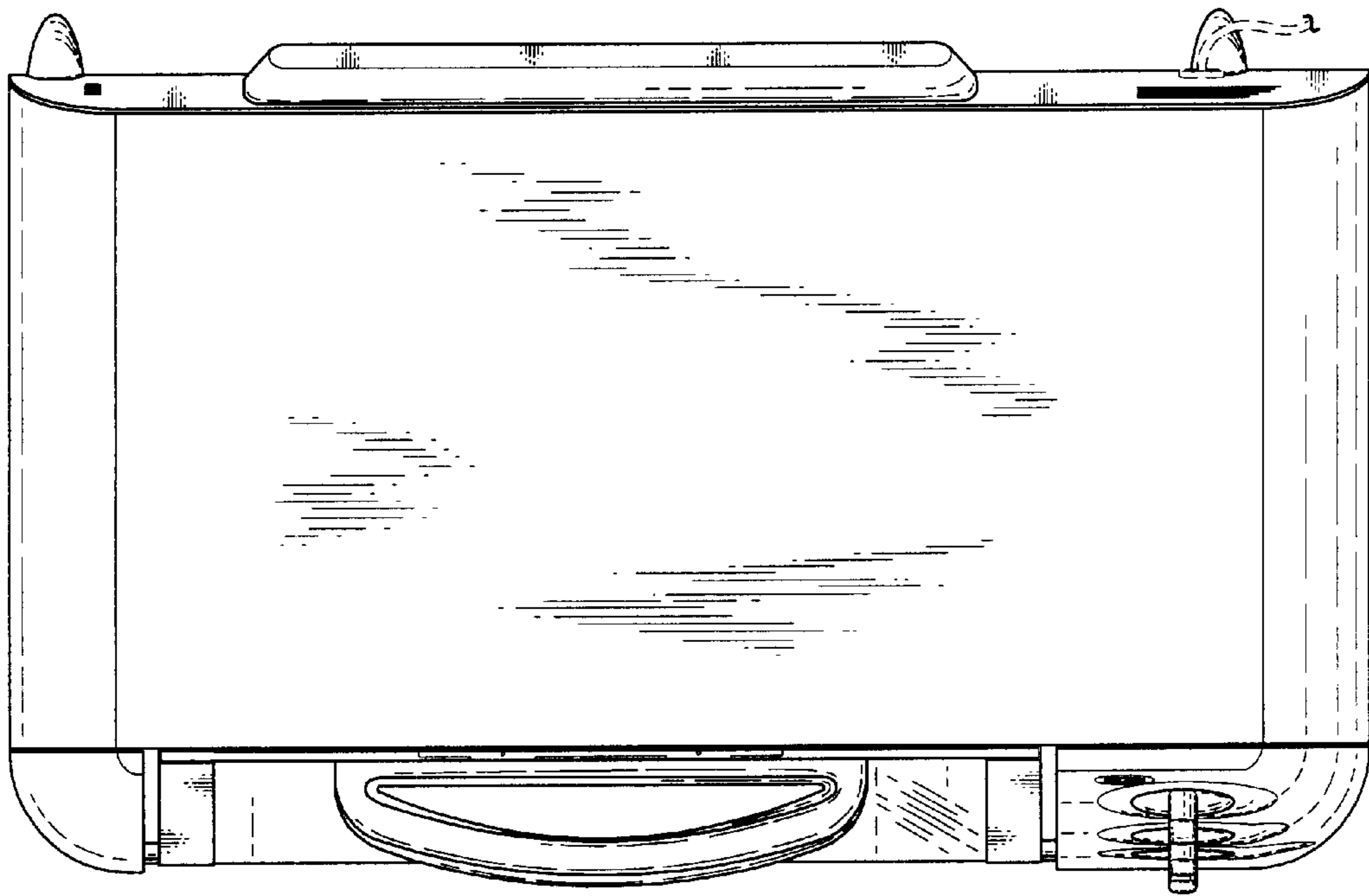


Fig. 4

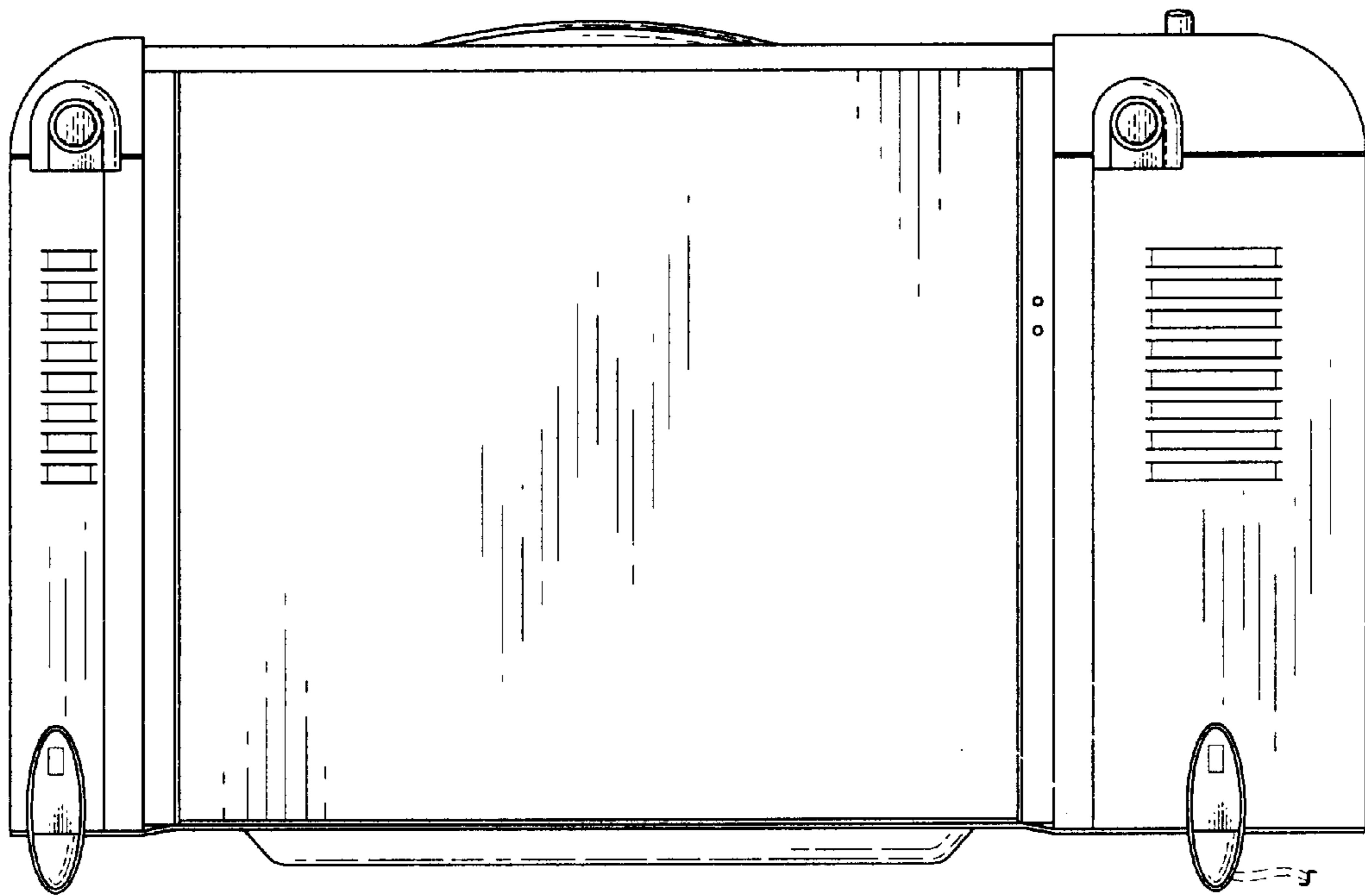


Fig. 5

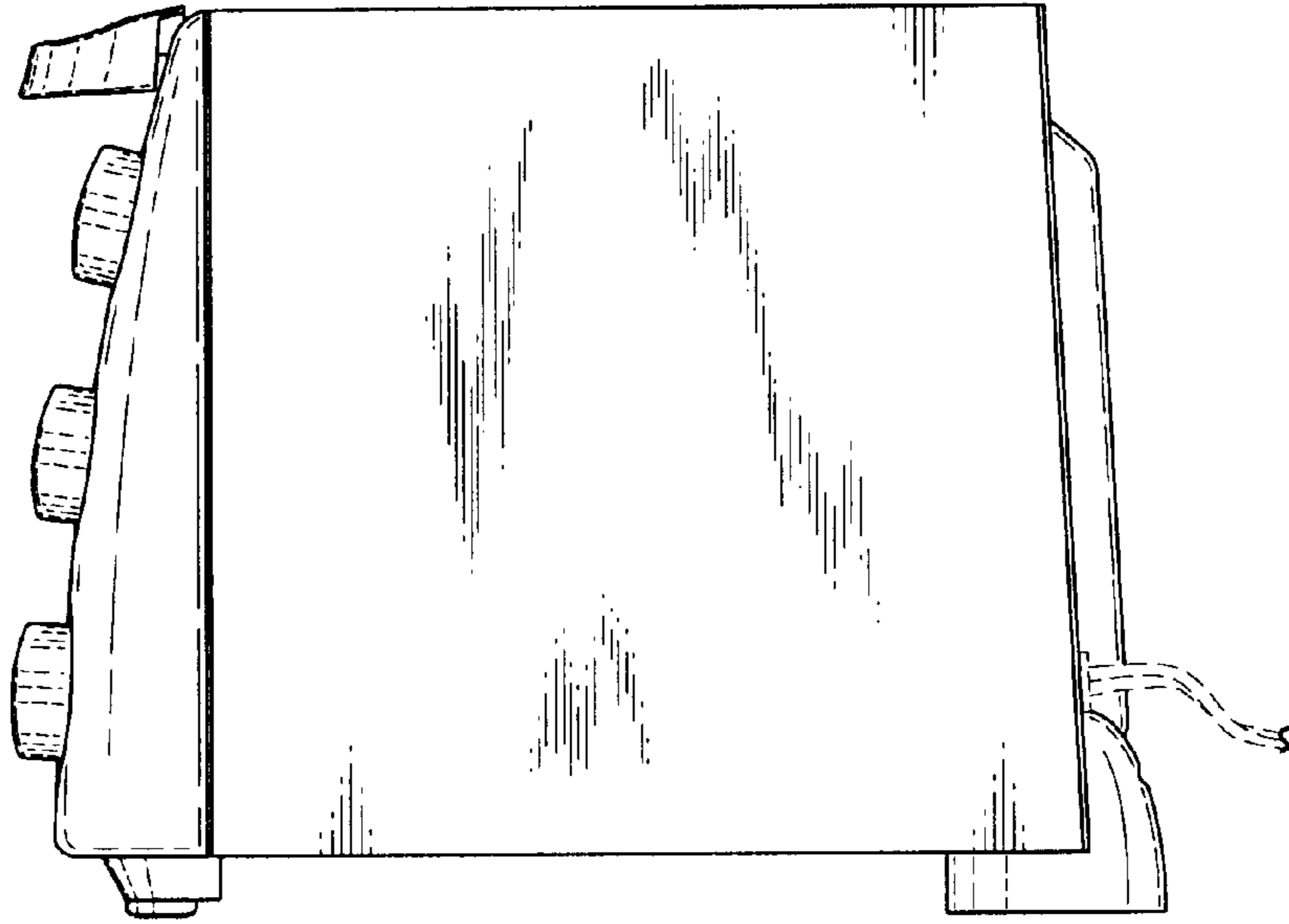


Fig. 6

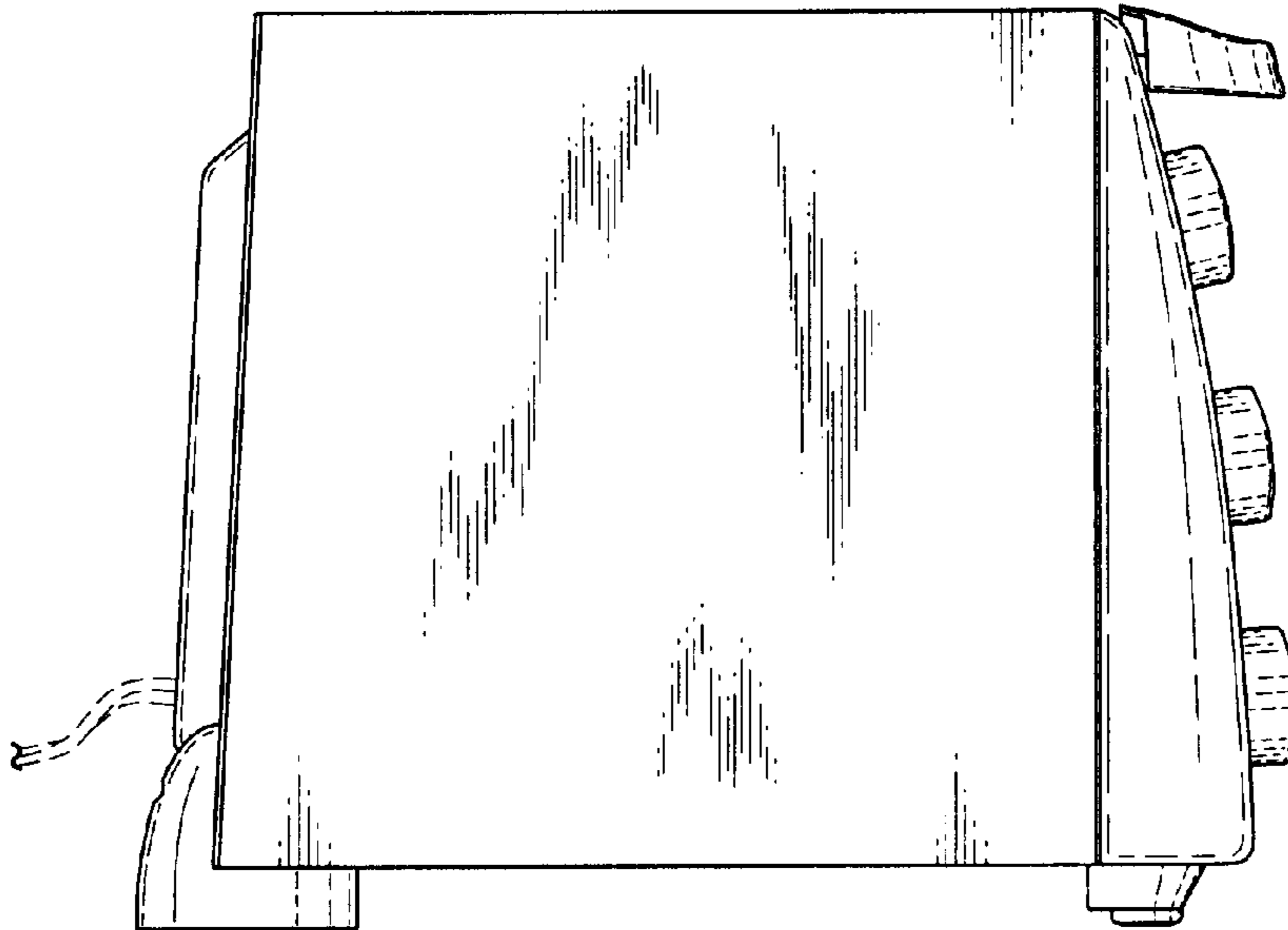


Fig. 7