



US00D479939S

(12) **United States Design Patent**  
**Au**

(10) **Patent No.:** **US D479,939 S**

(45) **Date of Patent:** **\*\* Sep. 30, 2003**

(54) **COFFEE MAKER**

(75) **Inventor:** **Tat-Fu Au, Kwai Chung (HK)**

(73) **Assignee:** **Fatia Industrial Co., Ltd., Hong Kong Sar (CN)**

(\*\*) **Term:** **14 Years**

(21) **Appl. No.:** **29/155,494**

(22) **Filed:** **Feb. 13, 2002**

(51) **LOC (7) Cl. .... 07-01**

(52) **U.S. Cl. .... D7/309; D7/310; D7/311**

(58) **Field of Search .... D7/309, 310, 311, D7/300, 306; 222/183.1, 169, 129.1-129.4; 99/280, 286, 289 R, 292, 275**

(56) **References Cited**

**U.S. PATENT DOCUMENTS**

D299,608 S	*	1/1989	Knochner	.....	D7/309
D353,296 S	*	12/1994	Assmann	.....	D7/309
D354,878 S	*	1/1995	Lin	.....	D7/309
D355,561 S	*	2/1995	Ullman	.....	D7/309
D369,268 S	*	4/1996	Assmann et al.	.....	D7/309
D378,970 S	*	4/1997	Brady et al.	.....	D7/309
D390,061 S	*	2/1998	Mork et al.	.....	D7/309
D402,153 S	*	12/1998	Saltet	.....	D7/309
D411,705 S	*	6/1999	Littmann	.....	D7/309
D440,811 S	*	4/2001	Littmann et al.	.....	D7/309
D442,012 S	*	5/2001	Haring et al.	.....	D7/309
D444,985 S	*	7/2001	Wu	.....	D7/309

D445,627 S	*	7/2001	Naft et al.	.....	D7/309
D446,987 S	*	8/2001	Bureaux	.....	D7/309
D447,903 S	*	9/2001	Lin	.....	D7/309
D447,904 S	*	9/2001	Kling	.....	D7/309
D449,954 S	*	11/2001	Warfel et al.	.....	D7/309
D450,520 S	*	11/2001	Saltet	.....	D7/309
D453,656 S	*	2/2002	Byler et al.	.....	D7/309
D454,466 S	*	3/2002	Hong	.....	D7/309

\* cited by examiner

*Primary Examiner*—M. N. Pandozzi

(74) *Attorney, Agent, or Firm*—Burns, Doane, Swecker & Mathis, L.L.P.

(57) **CLAIM**

The ornamental design for a “coffee maker”, as shown and described.

**DESCRIPTION**

FIG. 1 is a front view of a “coffee maker” showing my design;

FIG. 2 is a rear view thereof;

FIG. 3 is a left side view thereof;

FIG. 4 is a right side view thereof;

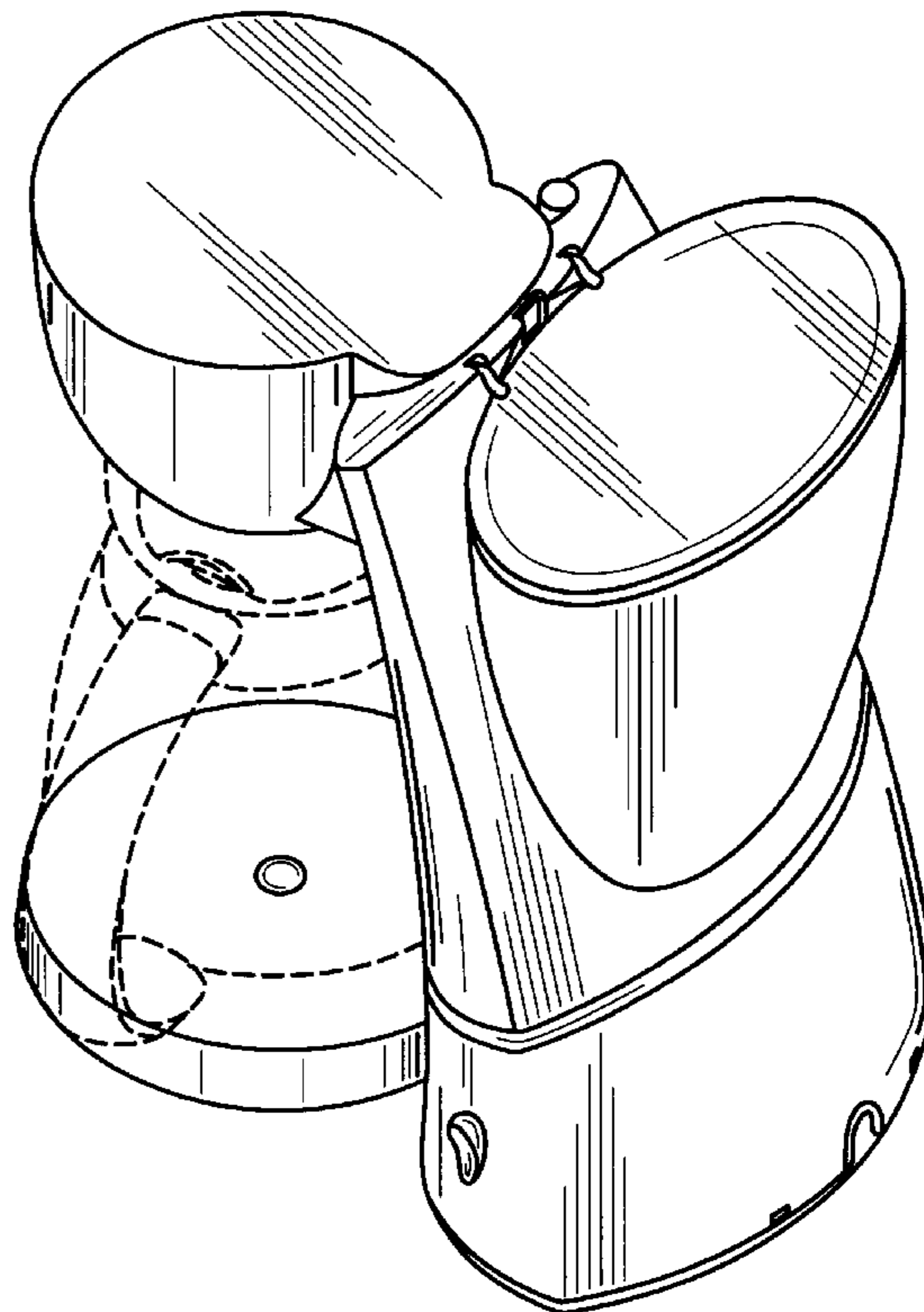
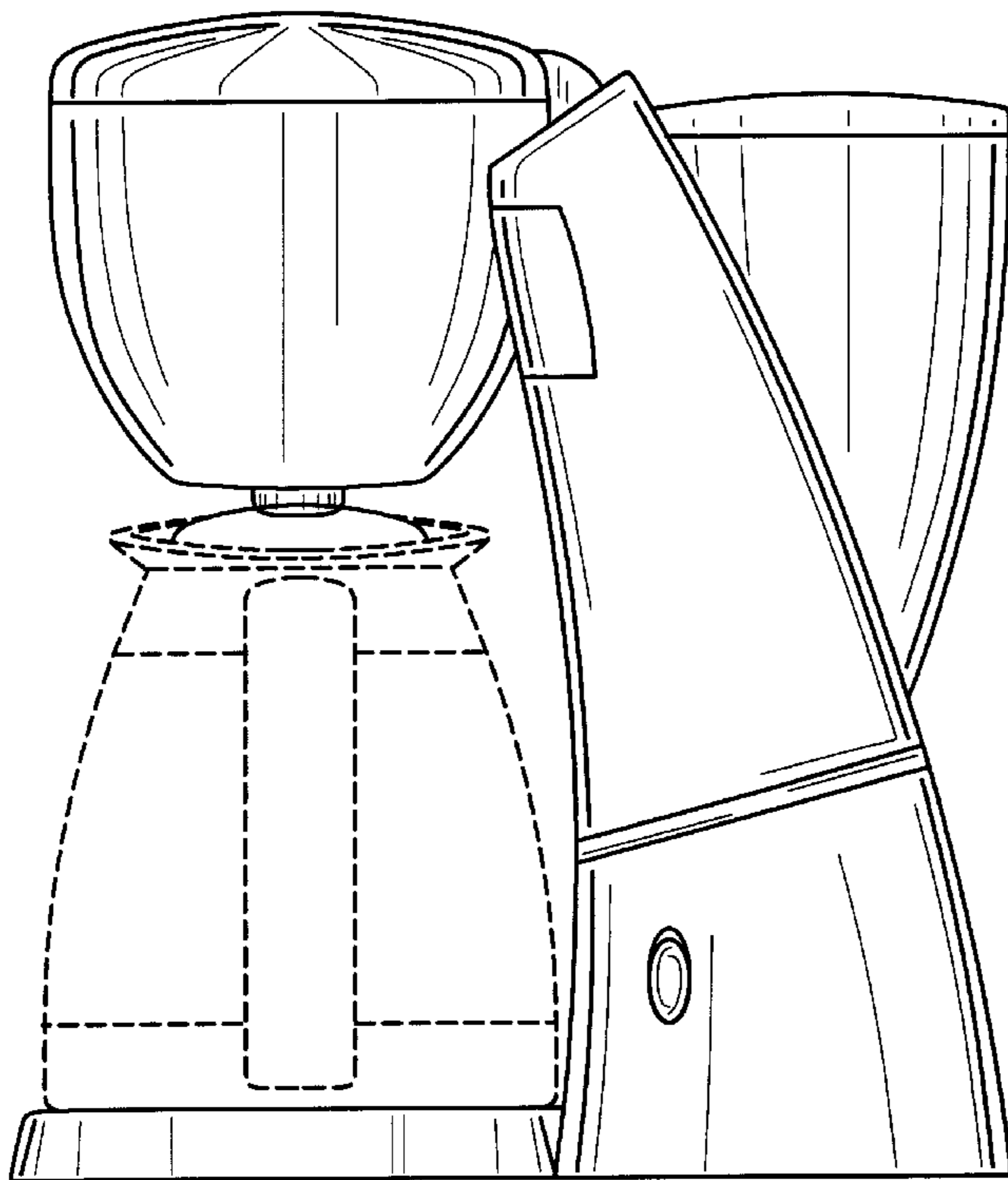
FIG. 5 is a bottom view thereof;

FIG. 6 is a top plan view thereof; and,

FIG. 7 is a perspective view thereof.

The features shown in broken lines are for illustrative purposes only, and form no part of the claimed design.

**1 Claim, 7 Drawing Sheets**



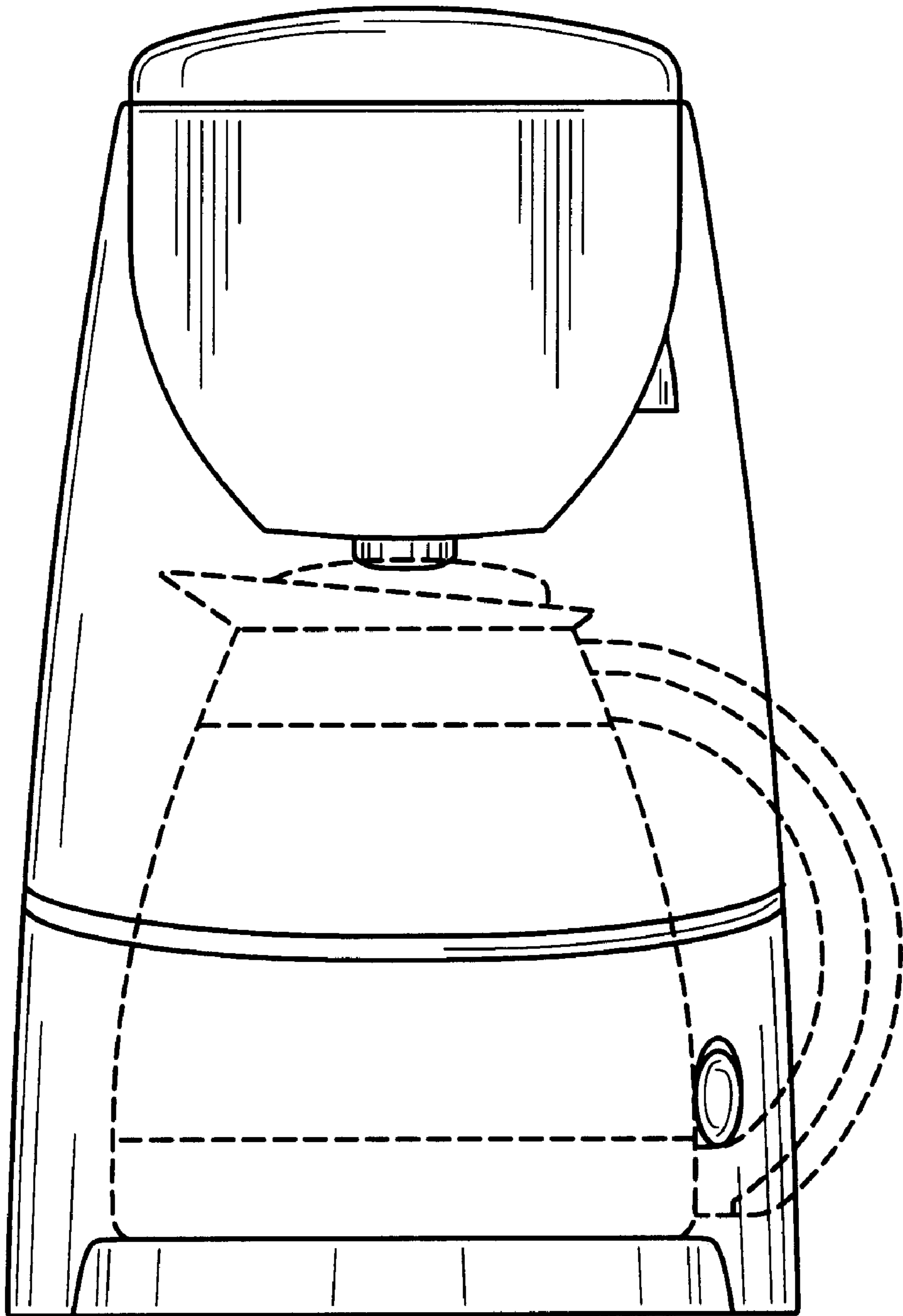


FIG. 1

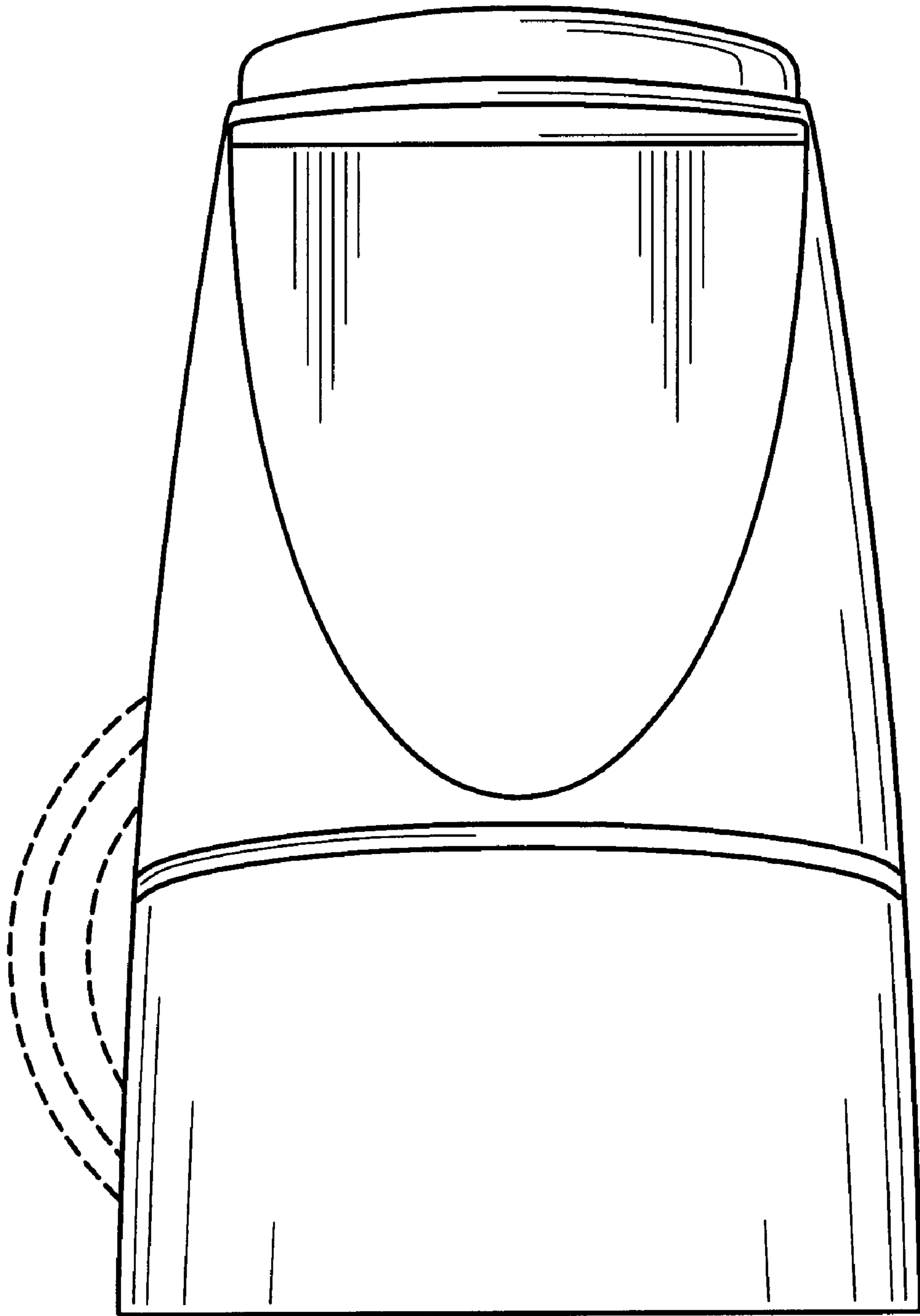


FIG. 2

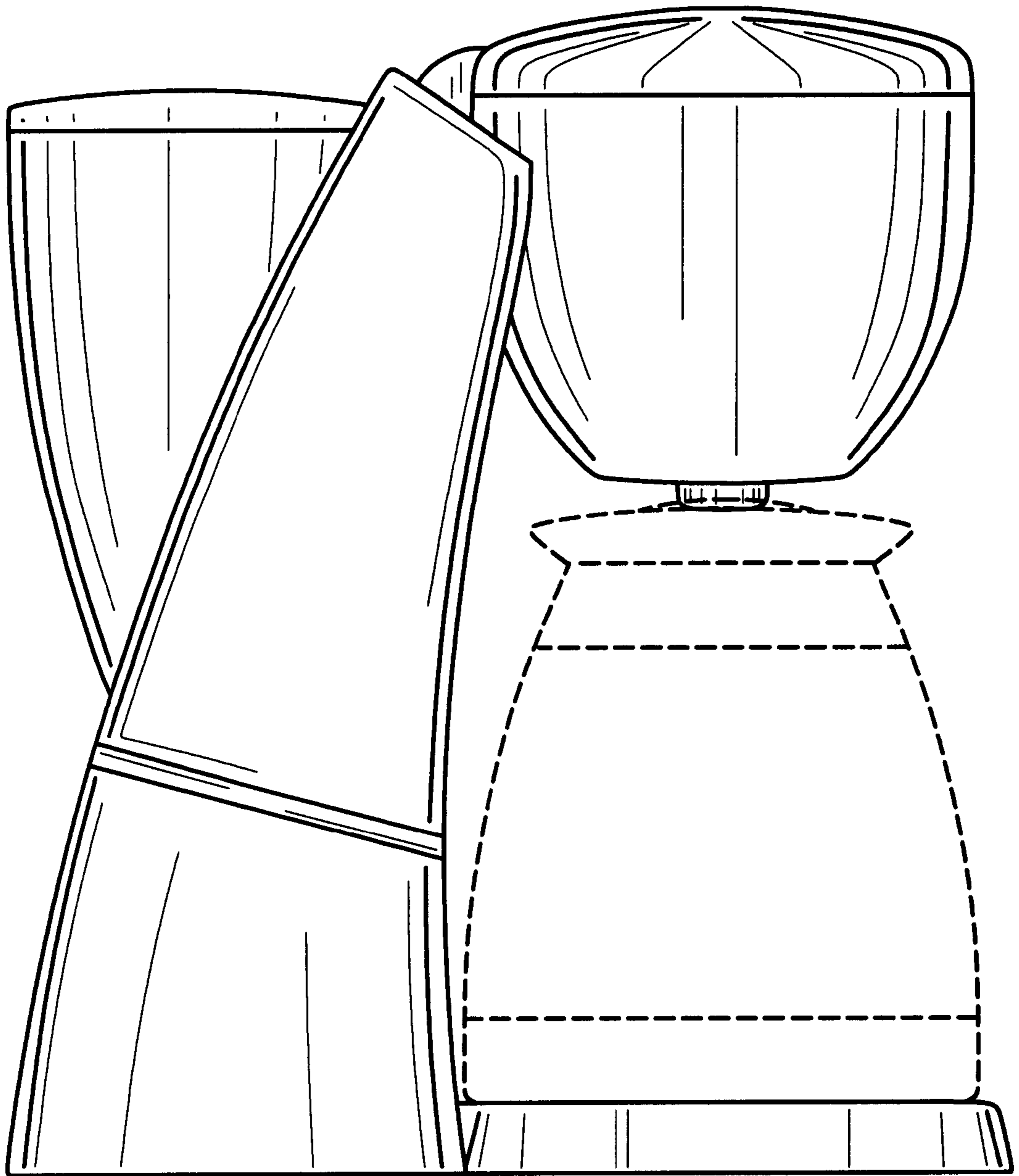


FIG. 3

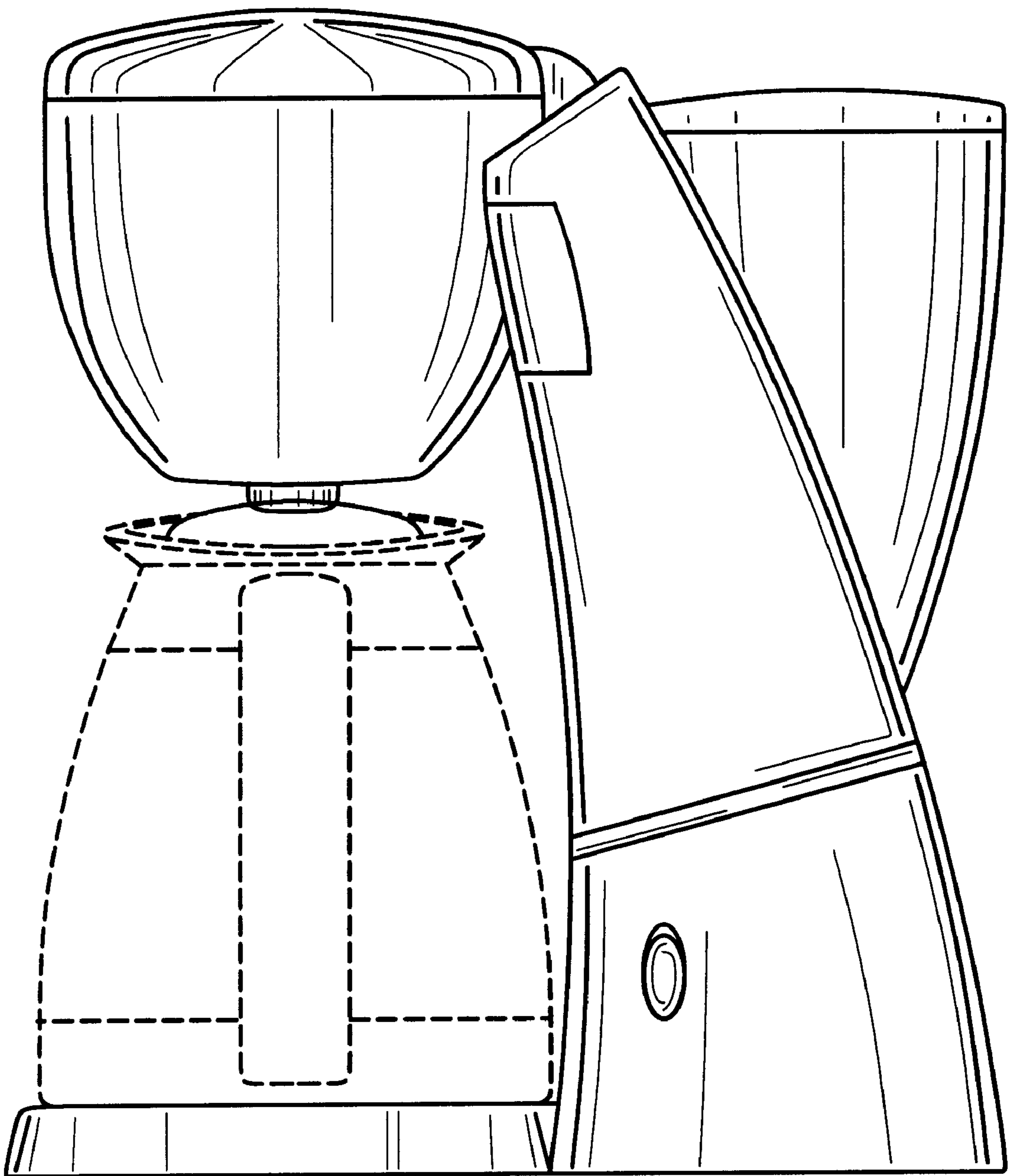


FIG. 4

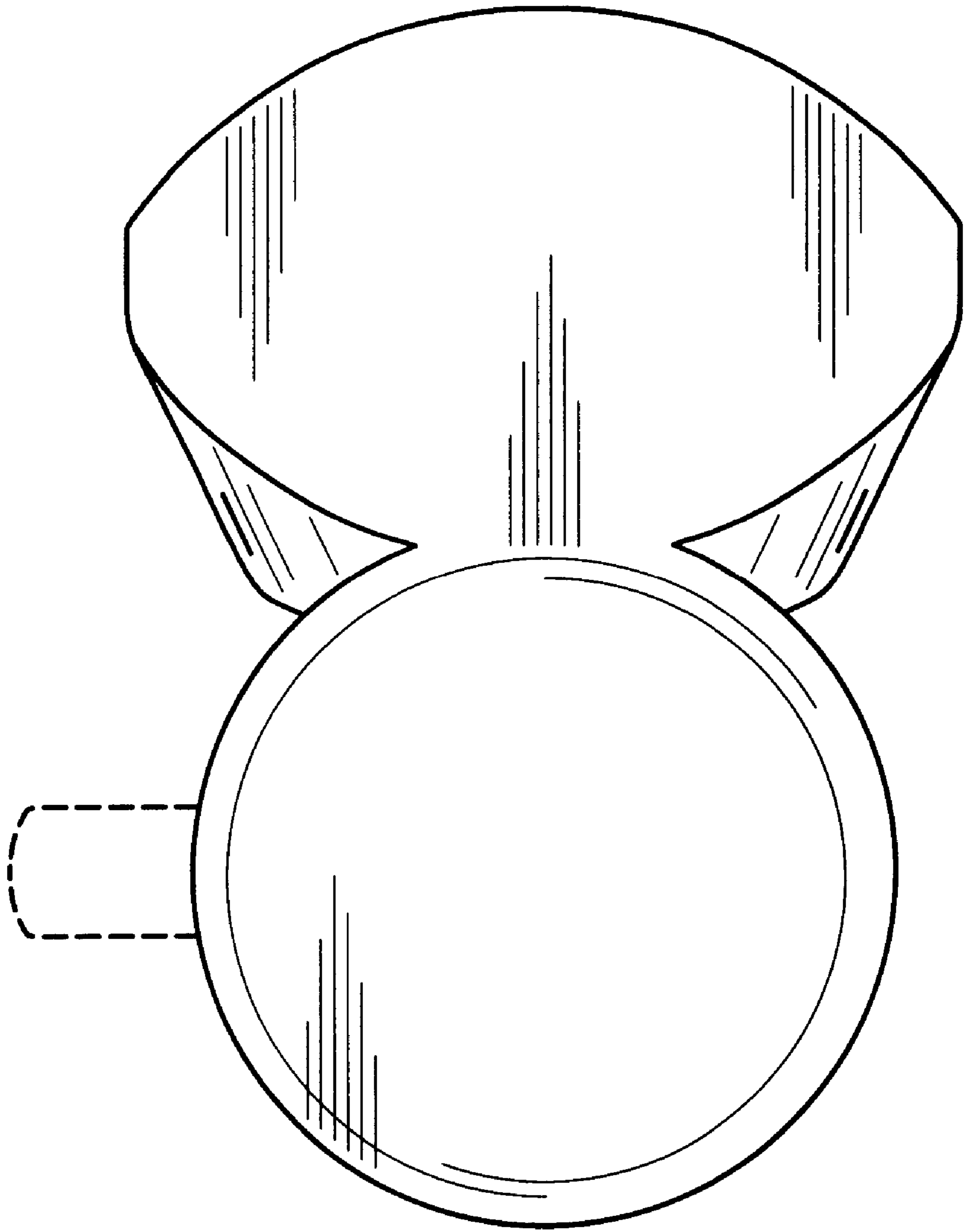


FIG. 5



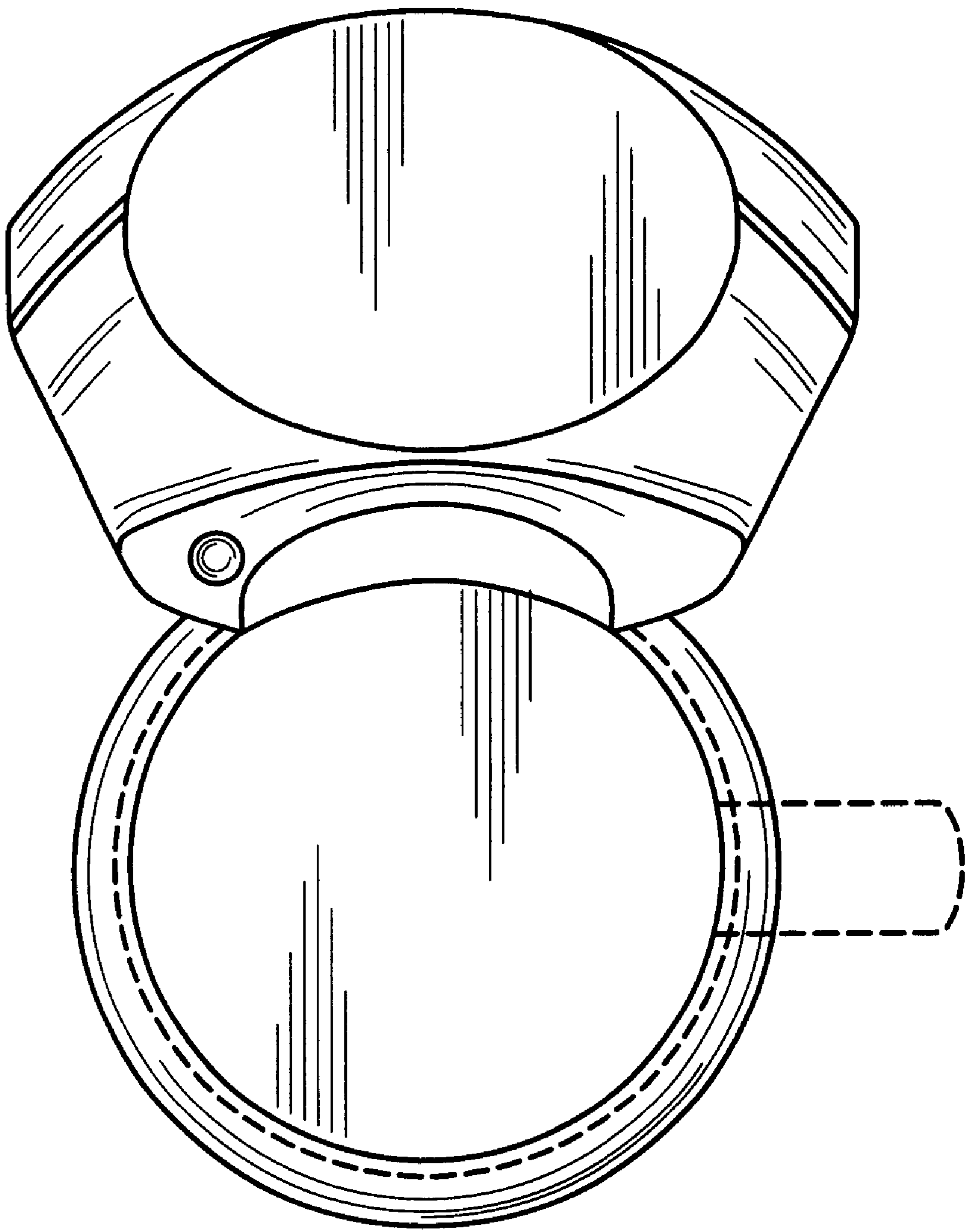


FIG. 6

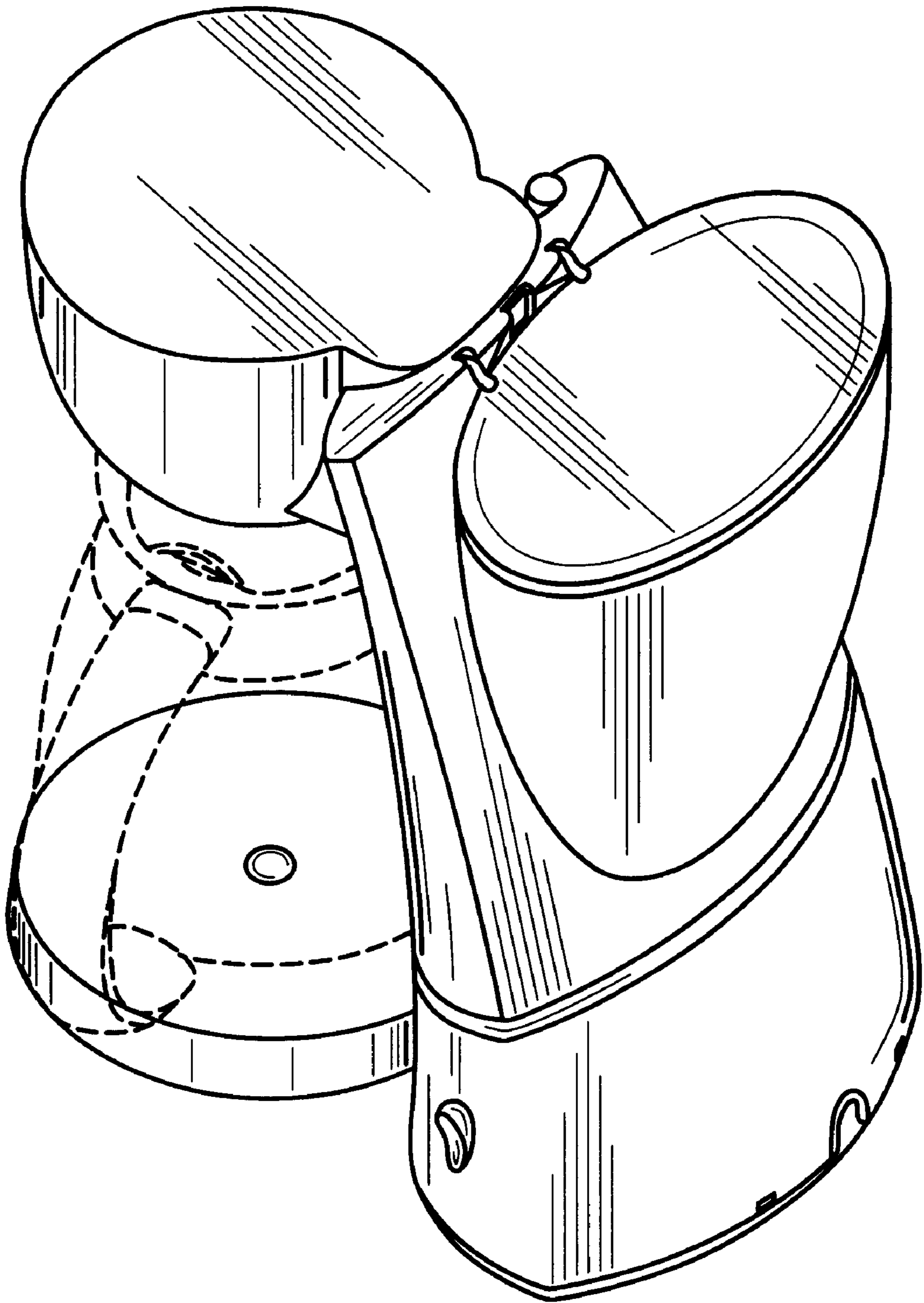


FIG. 7