



US00D479931S

(12) **United States Design Patent**  
**Gilbert**

(10) **Patent No.:** **US D479,931 S**

(45) **Date of Patent:** **\*\* Sep. 30, 2003**

(54) **TOWEL BAR**

(75) **Inventor:** **Christopher Jon Gilbert**, Moreland Hills, OH (US)

(73) **Assignee:** **Moen Incorporated**, North Olmsted, OH (US)

(\*\*) **Term:** **14 Years**

(21) **Appl. No.:** **29/161,204**

(22) **Filed:** **May 24, 2002**

(51) **LOC (7) Cl.** ..... **06-04**

(52) **U.S. Cl.** ..... **D6/549**

(58) **Field of Search** ..... D6/546-50, 518, D6/522-24; D8/300, 307-308, 315-20; 108/29; 211/13.1, 16, 60.1, 86.01, 87.01, 88.04, 105.1-105.2, 106, 123, 181.1; 242/570, 588-90, 597-98; 248/49, 175, 200-201, 205.1, 214, 251-54, 261, 302, 304, 309.1, 314-17

(56) **References Cited**

**U.S. PATENT DOCUMENTS**

D392,139 S \* 3/1998 Wu ..... D6/549  
D426,095 S \* 6/2000 Chen ..... D6/549

D427,471 S \* 7/2000 Chen ..... D6/549  
D452,100 S \* 12/2001 Gilbert ..... D6/549  
D452,792 S \* 1/2002 Gilbert et al. .... D6/549  
D454,742 S \* 3/2002 Meck et al. .... D6/549  
D454,743 S \* 3/2002 Ou-Young ..... D6/549  
D455,592 S \* 4/2002 Ou-Young ..... D6/549  
D463,187 S \* 9/2002 Gilbert ..... D6/549  
D463,935 S \* 10/2002 Zhao ..... D6/549

\* cited by examiner

*Primary Examiner*—Brian N. Vinson

(74) *Attorney, Agent, or Firm*—Cook, Alex, McFarron, Manzo, Cummings & Mehler, Ltd.

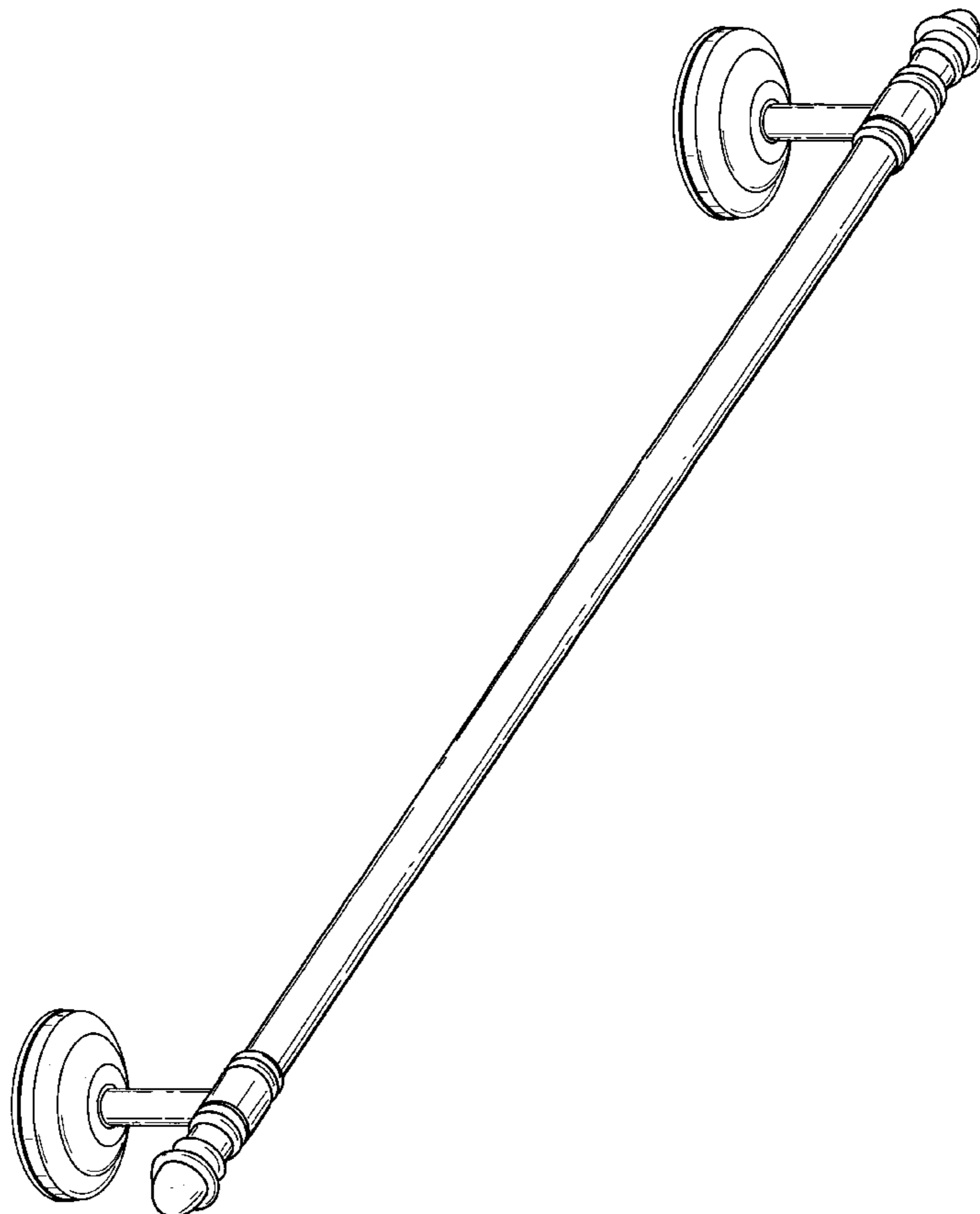
(57) **CLAIM**

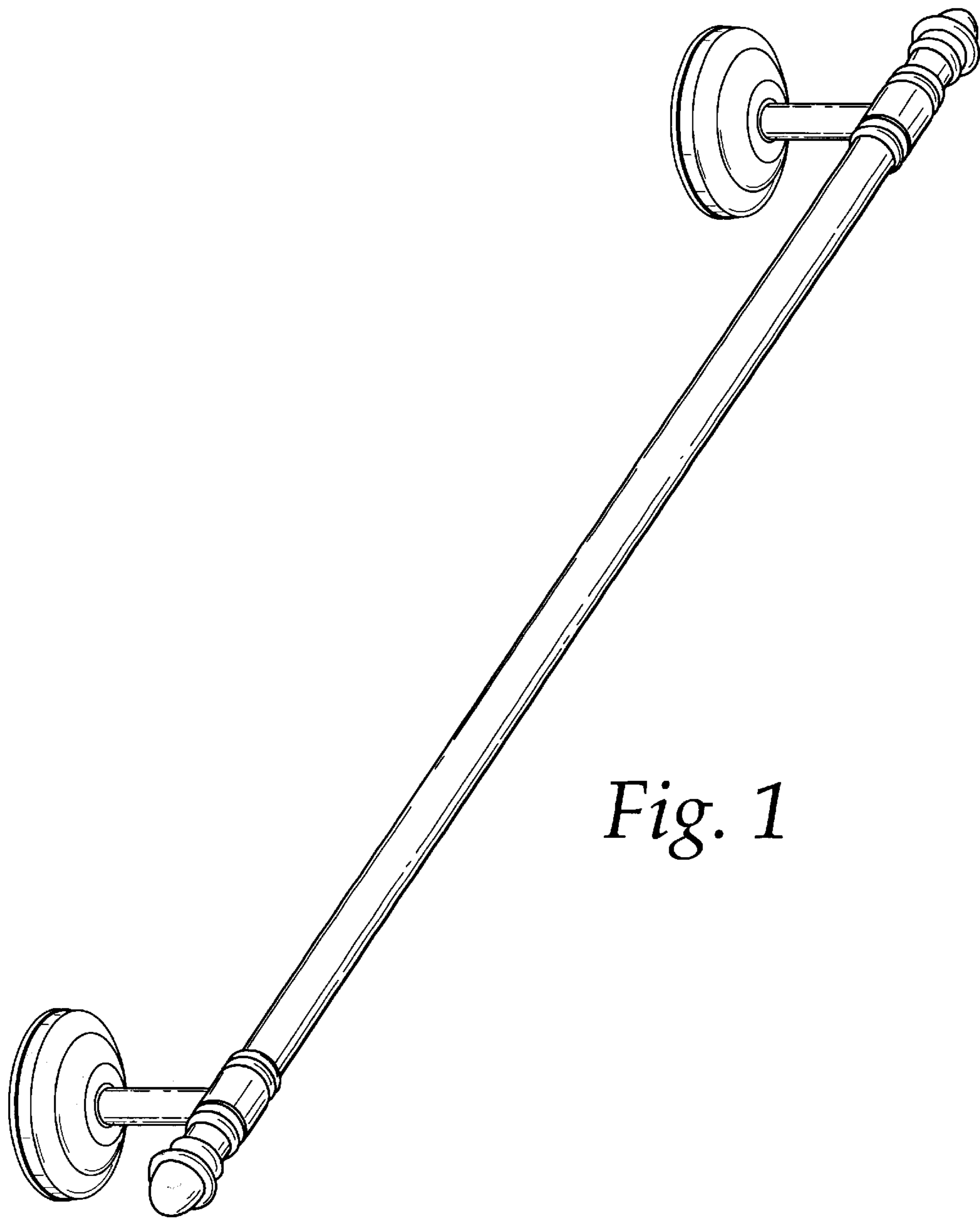
The ornamental design for a towel bar, as shown and described.

**DESCRIPTION**

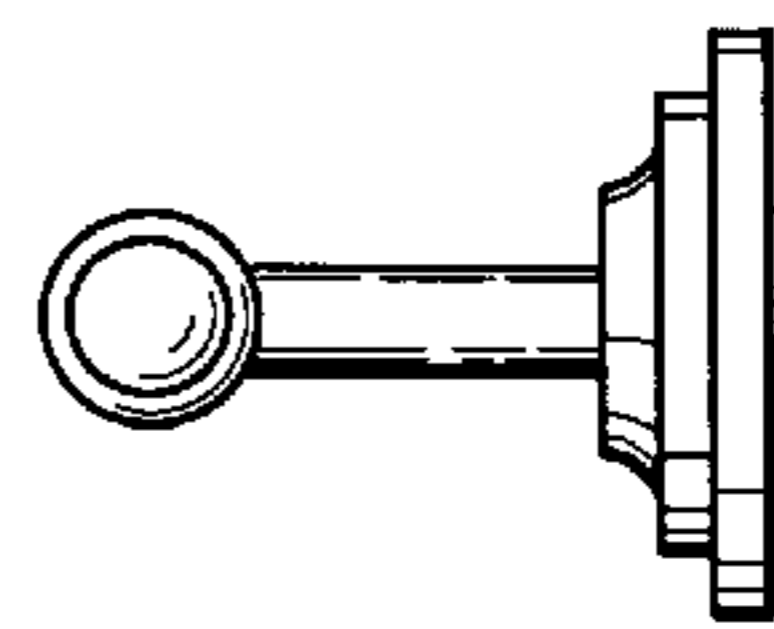
FIG. 1 is a perspective view of the towel bar of my design; FIG. 2 is a right end elevation view, the left end elevation being the reverse of the view shown; FIG. 3 is a front elevation view; FIG. 4 is a bottom plan view, the top plan view being the same as the bottom plan view; and, FIG. 5 is a rear elevation view.

**1 Claim, 2 Drawing Sheets**

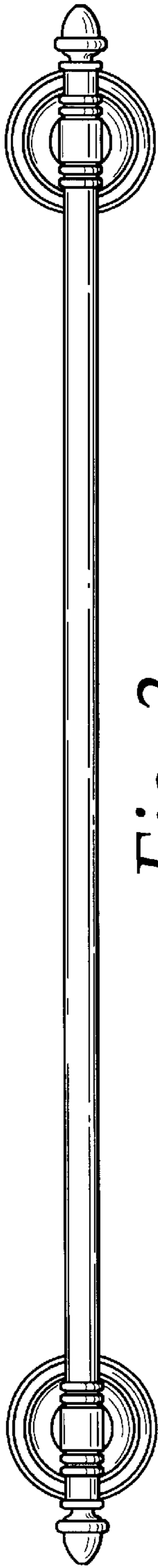




*Fig. 1*



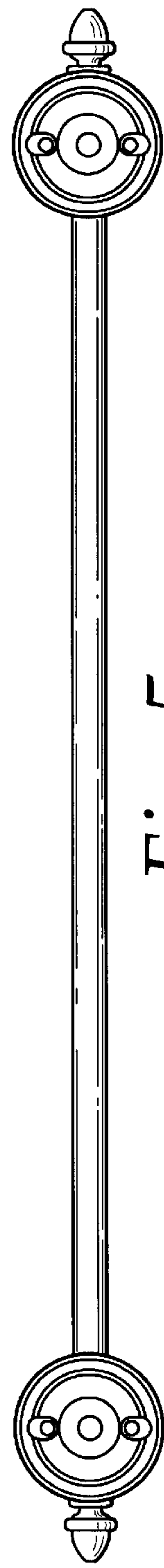
*Fig. 2*



*Fig. 3*



*Fig. 4*



*Fig. 5*