



US00D479930S

(12) **United States Design Patent**
Cook et al.

(10) **Patent No.: US D479,930 S**
(45) **Date of Patent: ** Sep. 30, 2003**

(54) **HOLE PATTERN FOR A SHELF DIVIDER**

(75) Inventors: **Deborah Ann Cook**, Huntington Beach, CA (US); **Marvin L. Runge**, Edgerton, WI (US)

(73) Assignee: **Spacesaver Corporation**, Fort Atkinson, WI (US)

(**) Term: **14 Years**

(21) Appl. No.: **29/156,758**

(22) Filed: **Mar. 5, 2002**

Related U.S. Application Data

(62) Division of application No. 29/129,583, filed on Sep. 15, 2000.

(51) **LOC (7) Cl.** **06-06**

(52) **U.S. Cl.** **D6/511**

(58) **Field of Search** D6/396, 397, 409-415, D6/449-479, 491, 492, 493, 494, 509-511; D19/75-77, 86, 90, 91; D7/701-708; 108/27, 60, 61; 211/10, 11, 41.1, 42, 43, 184; 312/196

(56) **References Cited**

U.S. PATENT DOCUMENTS

- 2,604,213 A 7/1952 Bales et al.
- 2,793,403 A * 5/1957 Livingston 52/366
- D183,031 S * 6/1958 Tarte D19/77
- 3,160,282 A 12/1964 Gunn
- 3,269,558 A 8/1966 Hess
- D217,684 S * 5/1970 Stewart D6/468
- D224,435 S * 7/1972 Stravitz D6/469
- 3,905,484 A 9/1975 Dean et al.
- D237,125 S * 10/1975 Moss D6/468
- D242,103 S * 11/1976 Schultz et al. D6/468
- 4,064,813 A 12/1977 Hewett et al.
- D250,625 S * 12/1978 Leventhal D7/701
- D252,004 S * 6/1979 Leventhal D7/706
- D273,647 S * 5/1984 Kandarian D6/570
- 4,595,105 A 6/1986 Gold
- D291,315 S * 8/1987 Belford et al. D14/114
- 4,858,774 A 8/1989 Winter et al.

- 4,889,397 A 12/1989 Ryan
- 4,907,705 A * 3/1990 Waldeck 211/85.4
- D313,741 S * 1/1991 Levy D8/373
- D323,441 S * 1/1992 Waldeck D6/469
- D325,849 S * 5/1992 Melcher D7/701
- 5,148,927 A 9/1992 Gebka
- D331,676 S * 12/1992 Endelman D6/470
- D343,082 S 1/1994 Sayad
- 5,348,385 A 9/1994 Berg
- 5,406,893 A 4/1995 Burns
- D358,795 S * 5/1995 Viola D12/187
- D407,011 S 3/1999 Boije
- 5,882,094 A * 3/1999 Parsley 312/242
- 5,971,173 A 10/1999 Valiulis et al.
- D431,913 S 10/2000 Rowan
- 6,164,215 A 12/2000 Cook et al.

OTHER PUBLICATIONS

View Rite Catalog, Shutterwall Acrylic Presentations, Umbrella Display C-49A, 1987.*

* cited by examiner

Primary Examiner—Cathron C. Brooks
(74) *Attorney, Agent, or Firm*—Boyle, Fredrickson, Newholm, Stein & Gratz, S.C.

(57) **CLAIM**

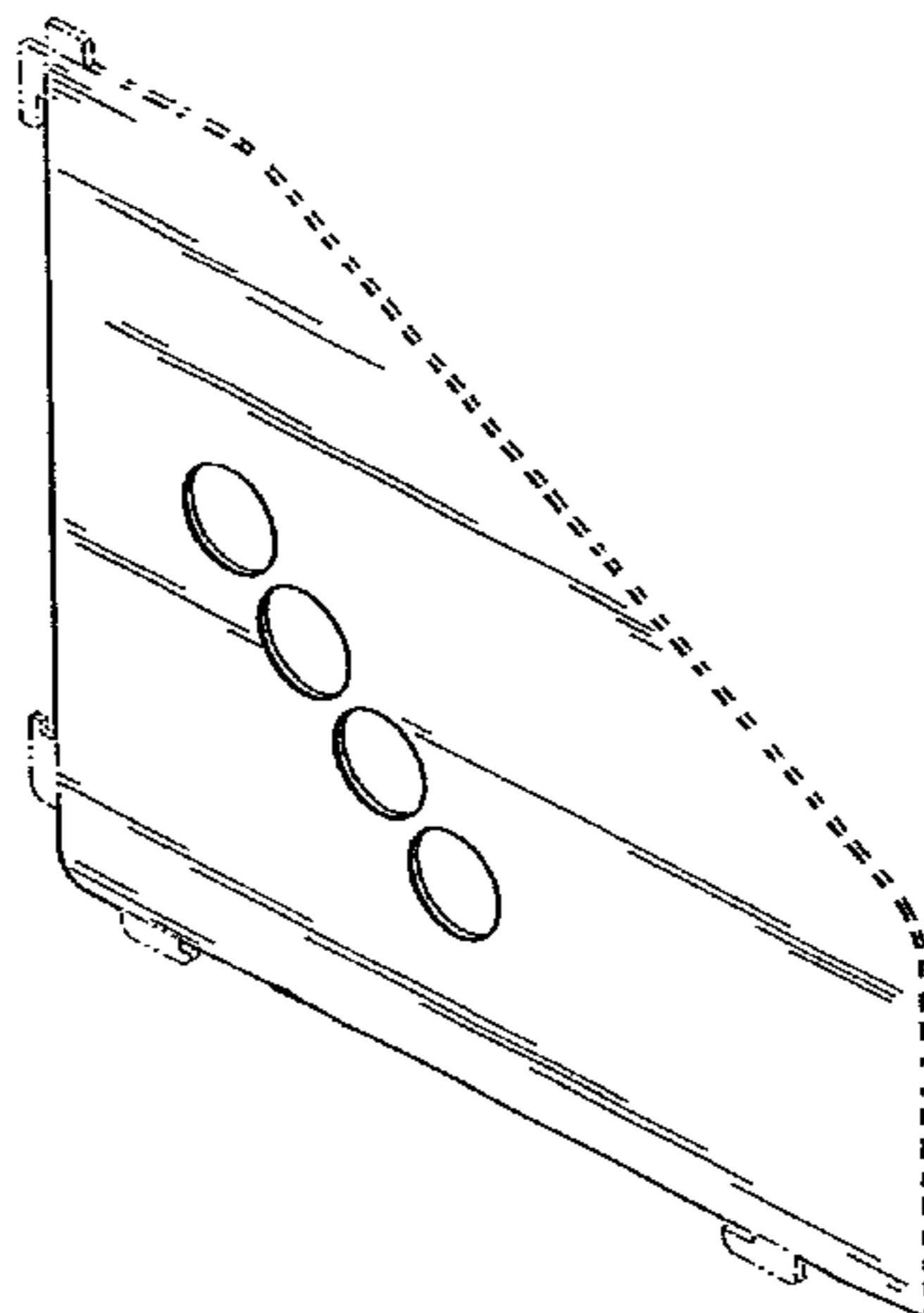
The ornamental design hole pattern for a shelf divider, as shown and described.

DESCRIPTION

FIG. 1 is an isometric view of a shelf divider incorporating my new design;
FIG. 2 is a front elevation view thereof;
FIG. 3 is a left side elevation view thereof;
FIG. 4 is a right side elevation view thereof;
FIG. 5 is a top plan view thereof; and,
FIG. 6 is a bottom plan view thereof.

The broken lines immediately adjacent the shaded areas represent the bounds of the claim and all other broken lines are for illustrative purposes only. None of the broken lines form a part of the claimed design.

1 Claim, 2 Drawing Sheets



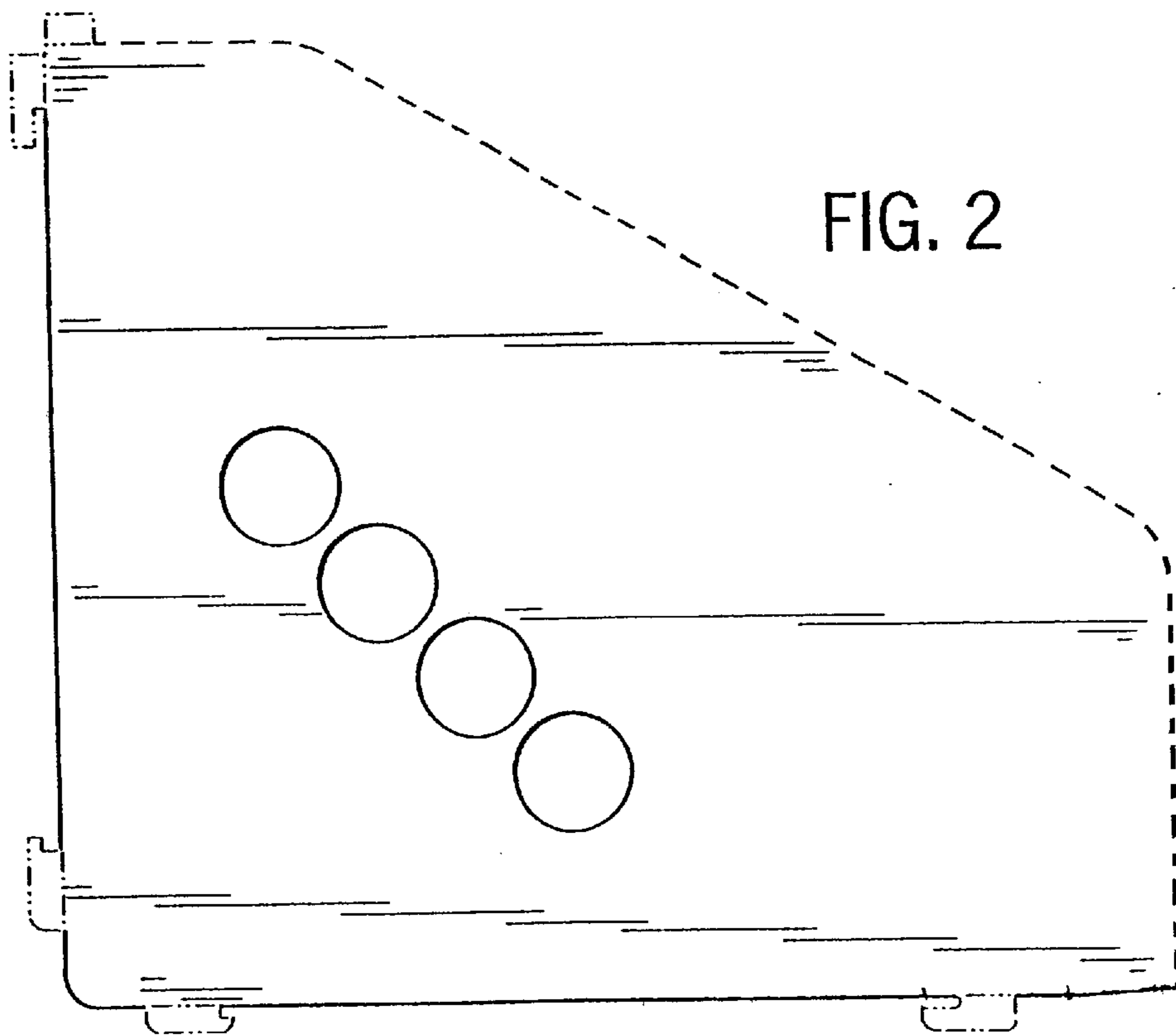
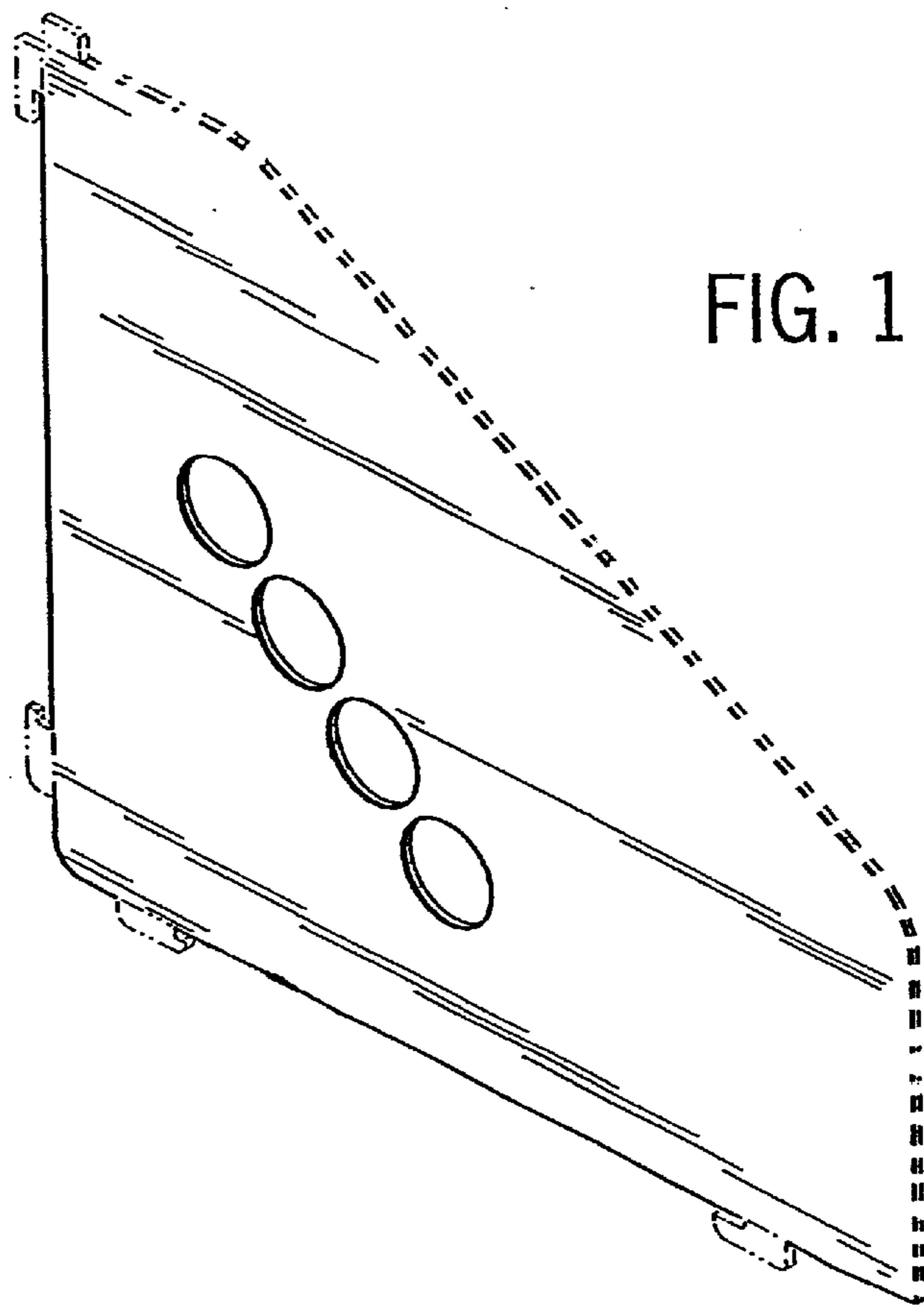




FIG. 3



FIG. 4

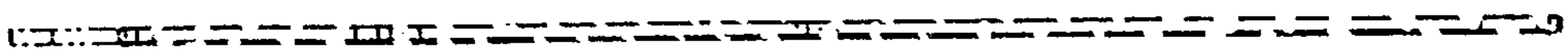


FIG. 5



FIG. 6