



US00D479928S

(12) **United States Design Patent**  
**Klaesener et al.**

(10) **Patent No.:** **US D479,928 S**

(45) **Date of Patent:** **\*\* Sep. 30, 2003**

(54) **MECHANISM FOR A CHAIR**  
(75) Inventors: **Michael Klaesener**, Waldshut (DE);  
**Mathias Seiler**, Loerrach (DE)  
(73) Assignee: **Sedus Stoll AG**, Waldshut (DE)  
(\*\*) Term: **14 Years**

D212,689 S \* 11/1968 Doerner ..... D6/500  
D285,633 S 9/1986 Doerner ..... D6/500  
D289,119 S 4/1987 Opsvik ..... D6/500  
D289,591 S 5/1987 Groseth ..... D6/500  
D364,044 S 11/1995 Progetto et al. .... D6/366  
D433,834 S 11/2000 Neil ..... D6/366  
D446,955 S 8/2001 Zemp ..... D6/366  
D473,737 S \* 4/2003 Klaesener et al. .... D6/500

\* cited by examiner

(21) Appl. No.: **29/174,489**  
(22) Filed: **Jan. 21, 2003**

*Primary Examiner*—Gary D. Watson  
(74) *Attorney, Agent, or Firm*—Oblon, Spivak, McClelland,  
Maier & Neustadt, P.C.

**Related U.S. Application Data**

(62) Division of application No. 29/140,237, filed on Apr. 16,  
2001, now Pat. No. Des. 473,737.

(51) **LOC (7) Cl.** ..... **06-06**  
(52) **U.S. Cl.** ..... **D6/500**  
(58) **Field of Search** ..... D6/334, 364, 365,  
D6/366, 367, 500, 501, 502; 248/161, 578;  
297/344.12, 344.16, 463.1

(57) **CLAIM**

The ornamental design for mechanism for a chair, as shown.

**DESCRIPTION**

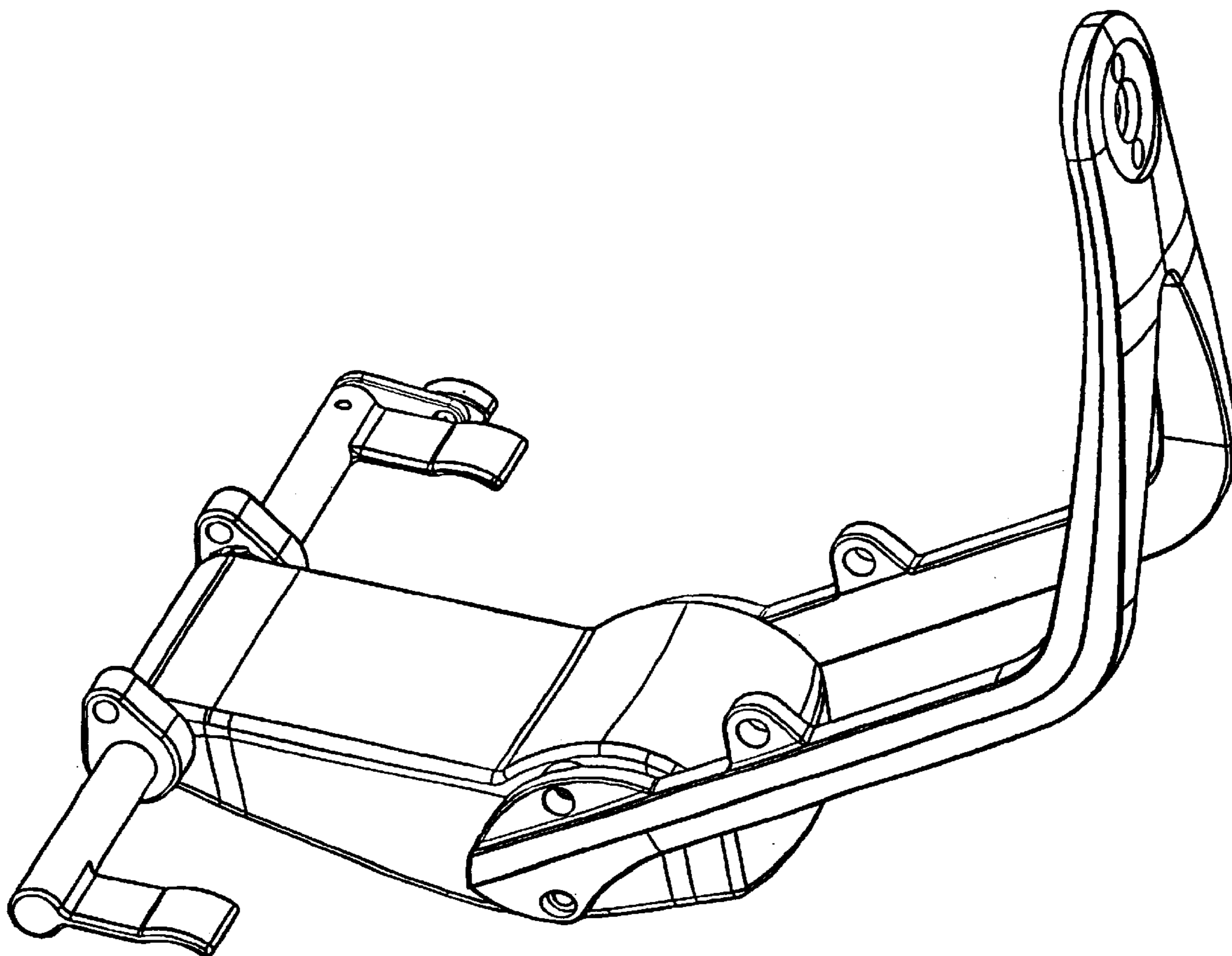
FIG. 1 is a top, front and left side perspective view of  
mechanism for a chair showing our design;  
FIG. 2 is a right side elevational view thereof;  
FIG. 3 is a left side elevational view thereof;  
FIG. 4 is a top plan view thereof; and,  
FIG. 5 is a front elevational view thereof.

(56) **References Cited**

**U.S. PATENT DOCUMENTS**

622,073 A \* 3/1899 Quinlan ..... 248/578

**1 Claim, 5 Drawing Sheets**



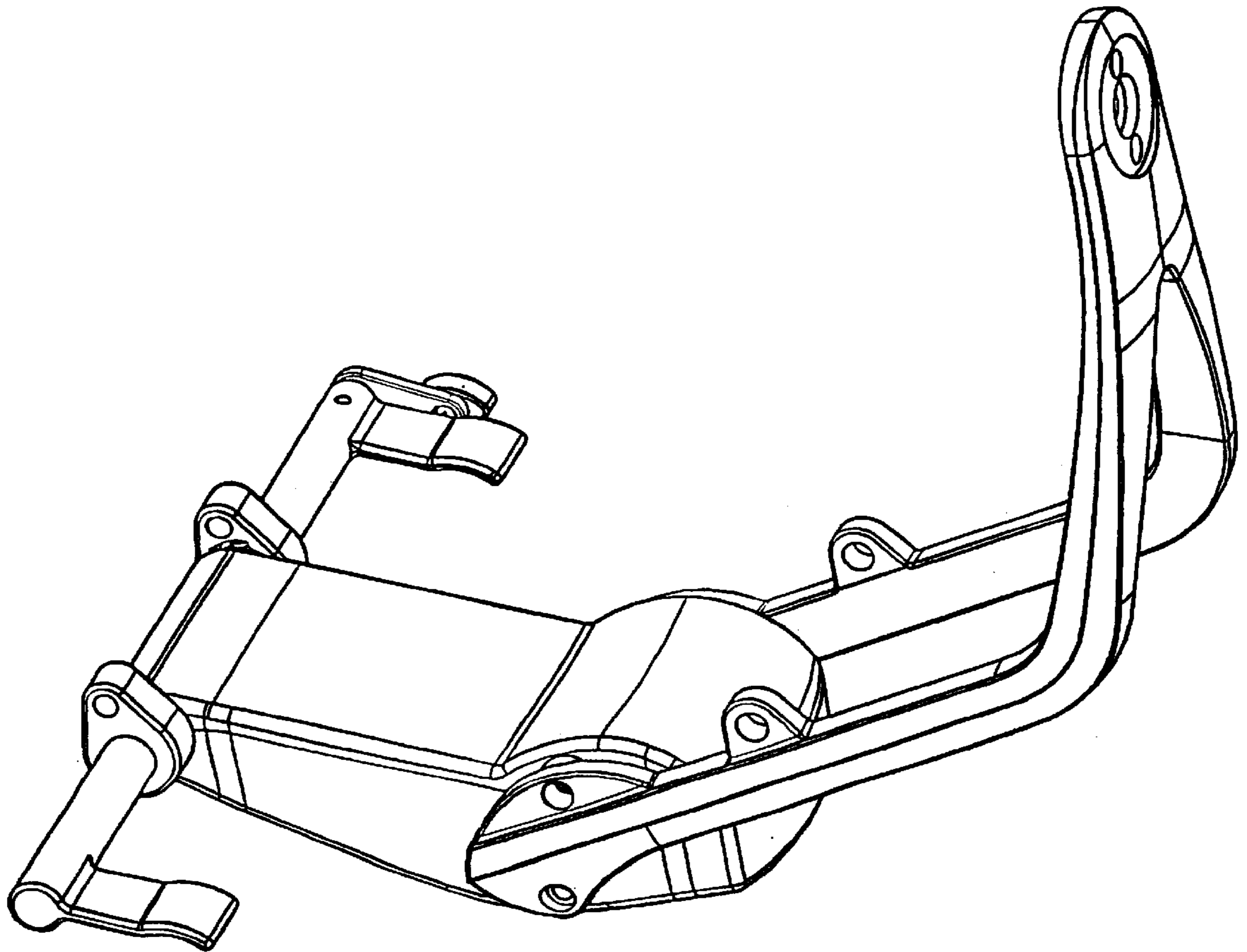
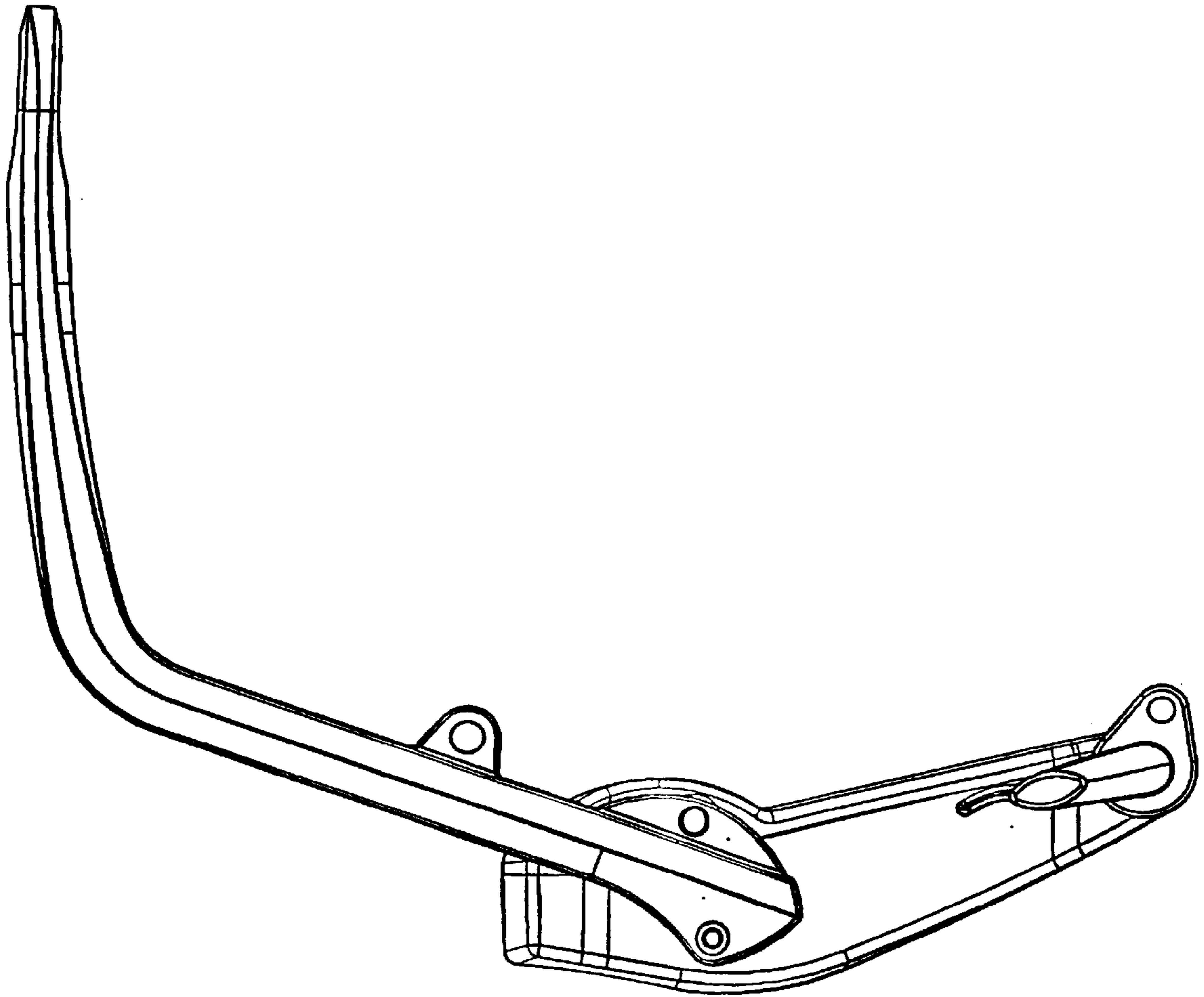
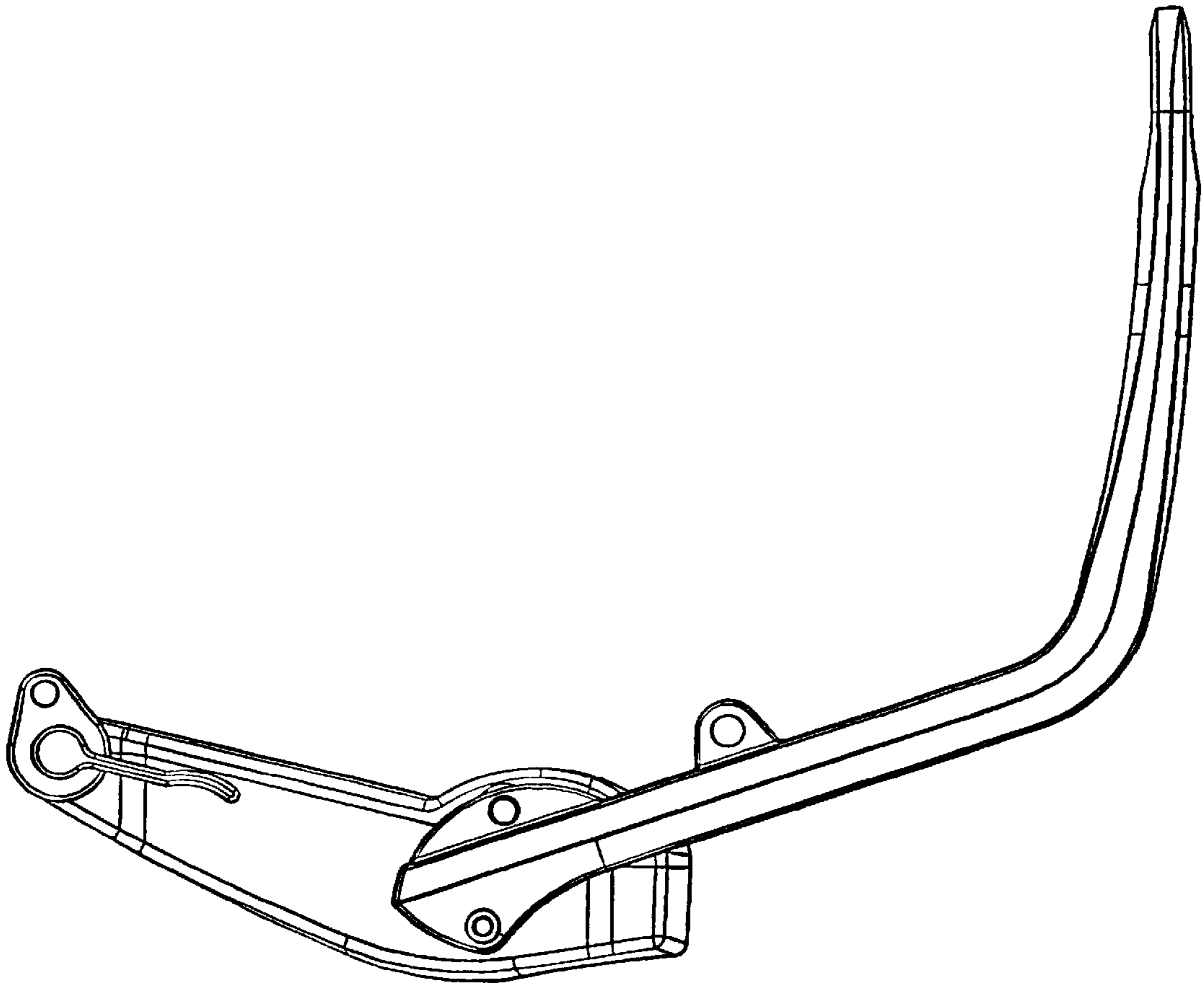


Fig. 1



**Fig. 2**



**Fig. 3**

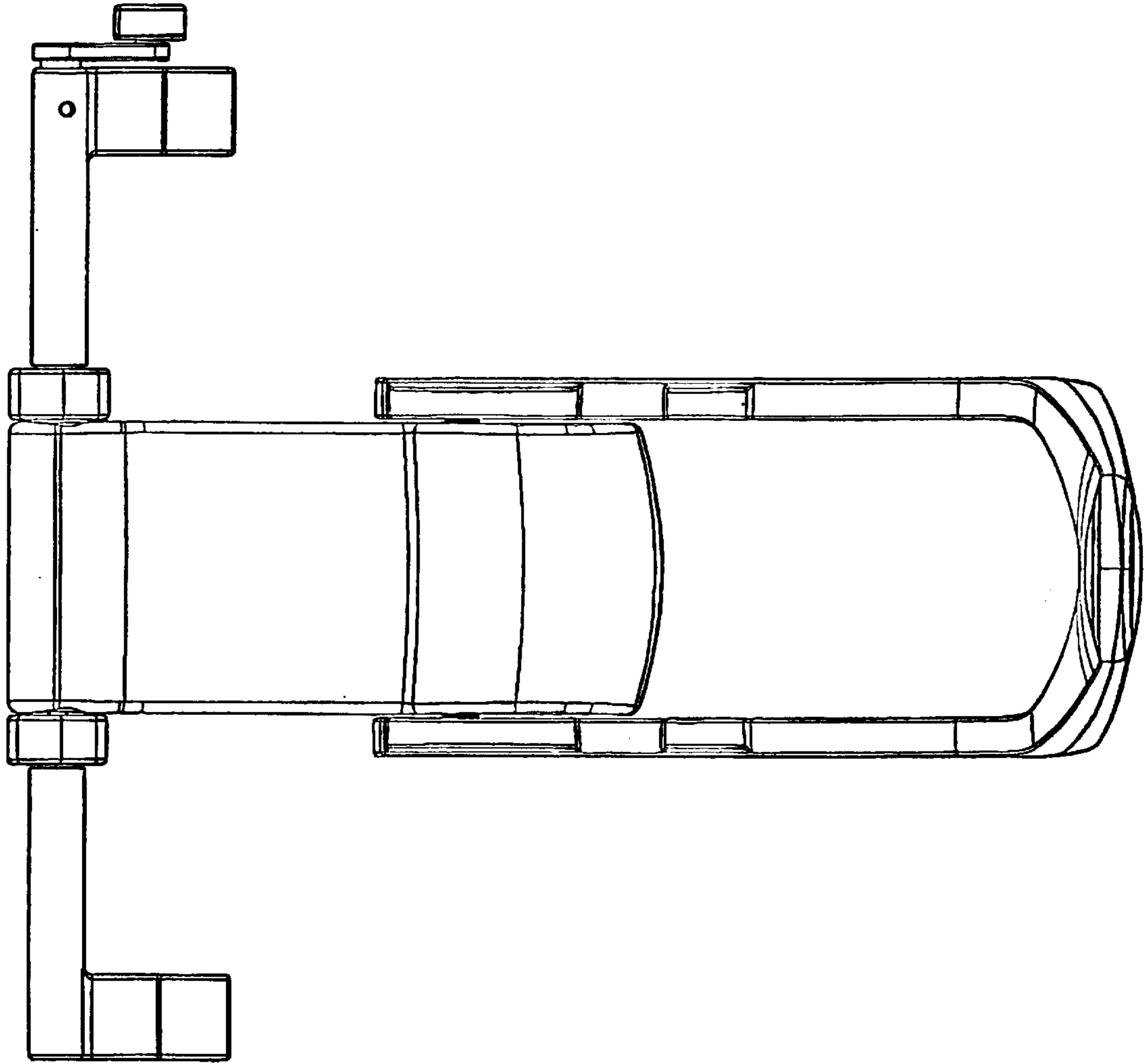


Fig. 4

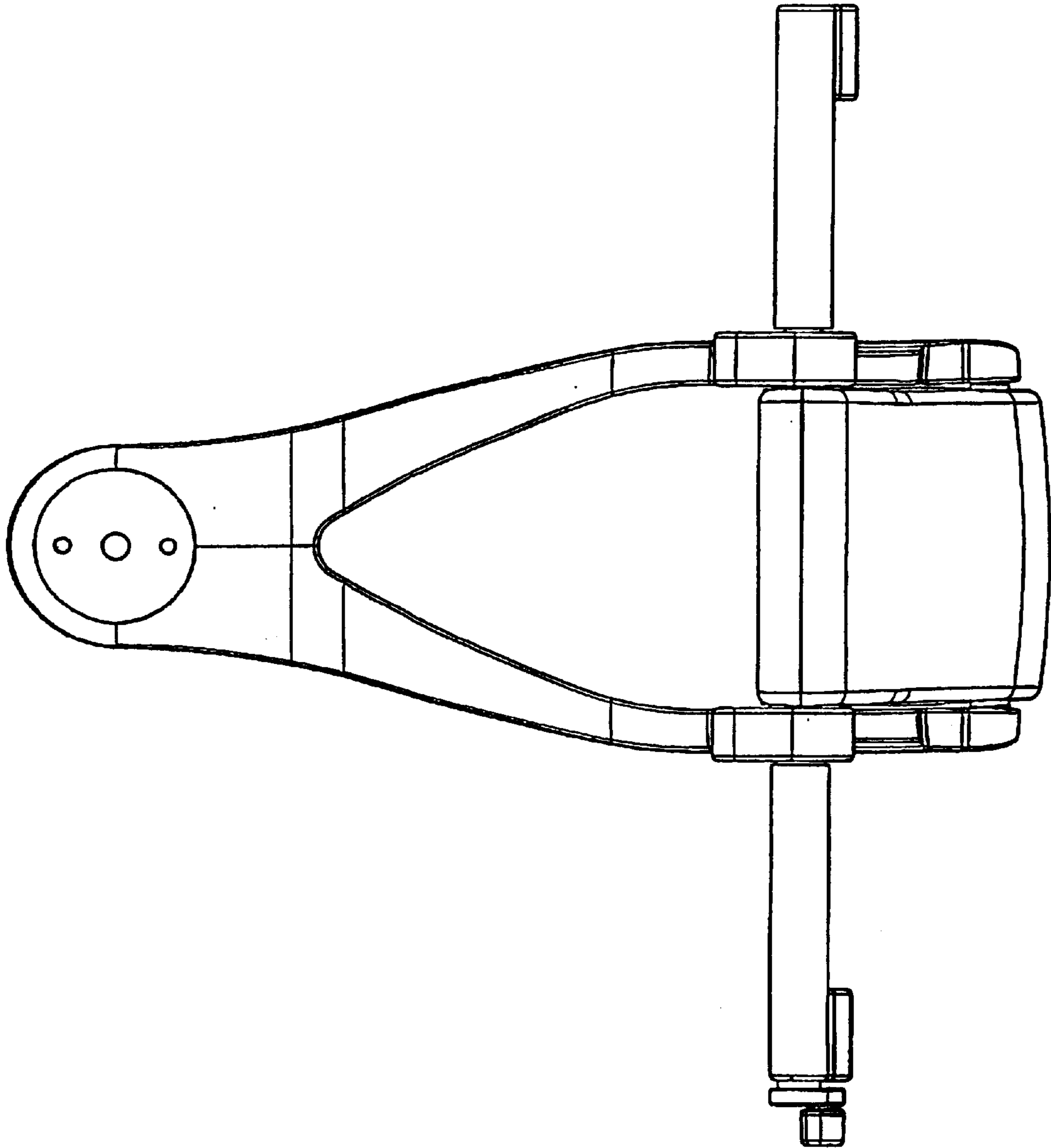


Fig. 5