



US00D479927S

(12) **United States Design Patent**
Hobb

(10) **Patent No.:** **US D479,927 S**

(45) **Date of Patent:** **** Sep. 30, 2003**

(54) **CHAIR PADDLE ARM**

(75) Inventor: **David Lloyd Hobb**, Waterloo (CA)

(73) Assignee: **Leggett & Platt, Ltd.**, Waterloo (CA)

(**) Term: **14 Years**

(21) Appl. No.: **29/164,720**

(22) Filed: **Jul. 30, 2002**

(51) **LOC (7) Cl.** **06-06**

(52) **U.S. Cl.** **D6/500**

(58) **Field of Search** D6/334, 335, 366,
D6/367, 500, 501, 502; 248/161, 578; 297/344.12,
344.16, 344.18, 344.19, 344.21

(56) **References Cited**

U.S. PATENT DOCUMENTS

D292,459 S	*	10/1987	Doerner	D6/500
D400,365 S	*	11/1998	Rossi	D6/366
D409,862 S	*	5/1999	Glaser et al.	D6/500
D429,422 S	*	8/2000	De Lucchi et al.	D6/366
6,224,155 B1	*	5/2001	DeKraker et al.	297/344.12
D447,652 S	*	9/2001	Beggs	D6/500

6,290,296 B1 * 9/2001 Beggs 297/344.16

* cited by examiner

Primary Examiner—Gary D. Watson

(74) *Attorney, Agent, or Firm*—Shook, Hardy & Bacon L.L.P.

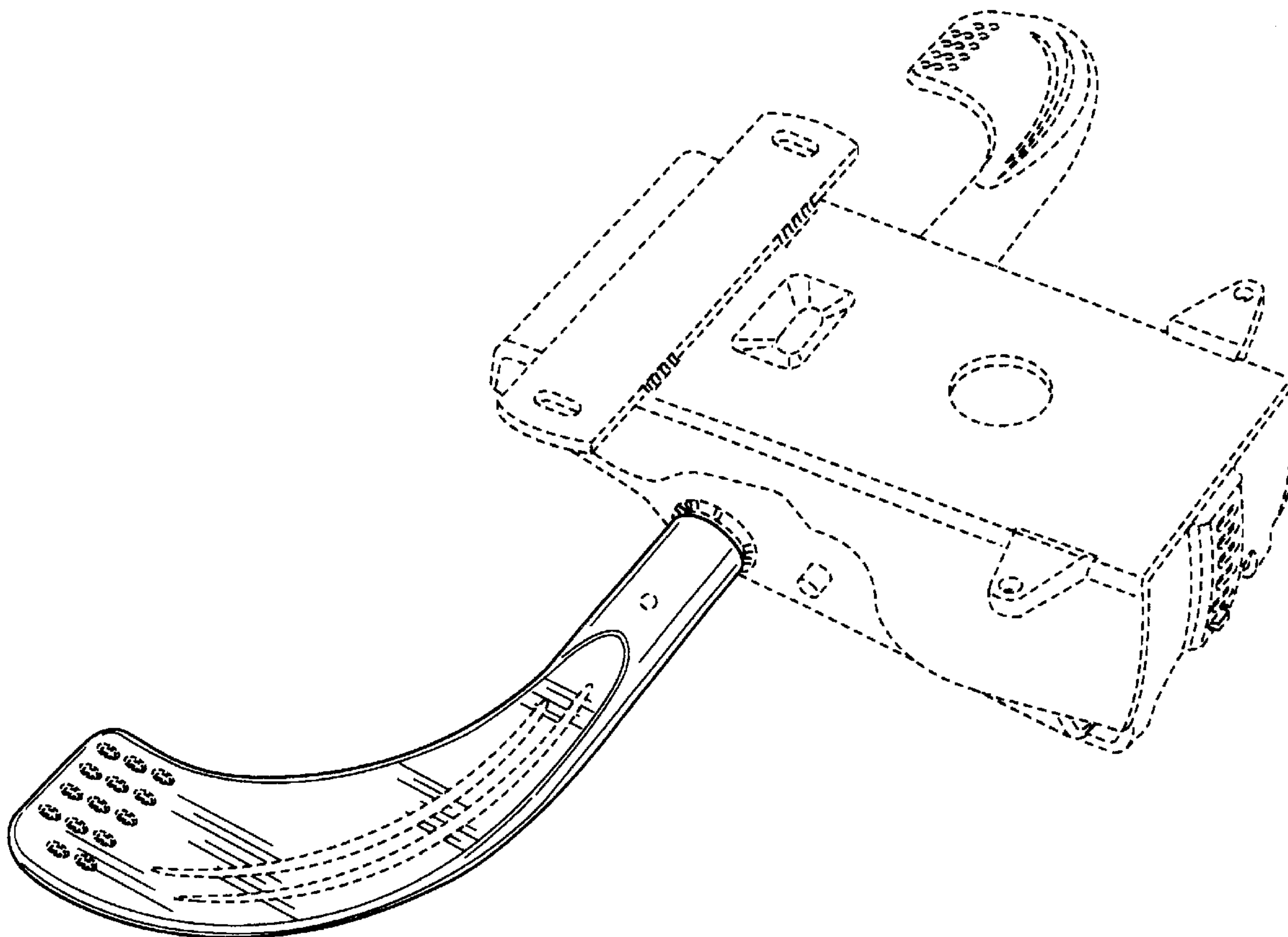
(57) **CLAIM**

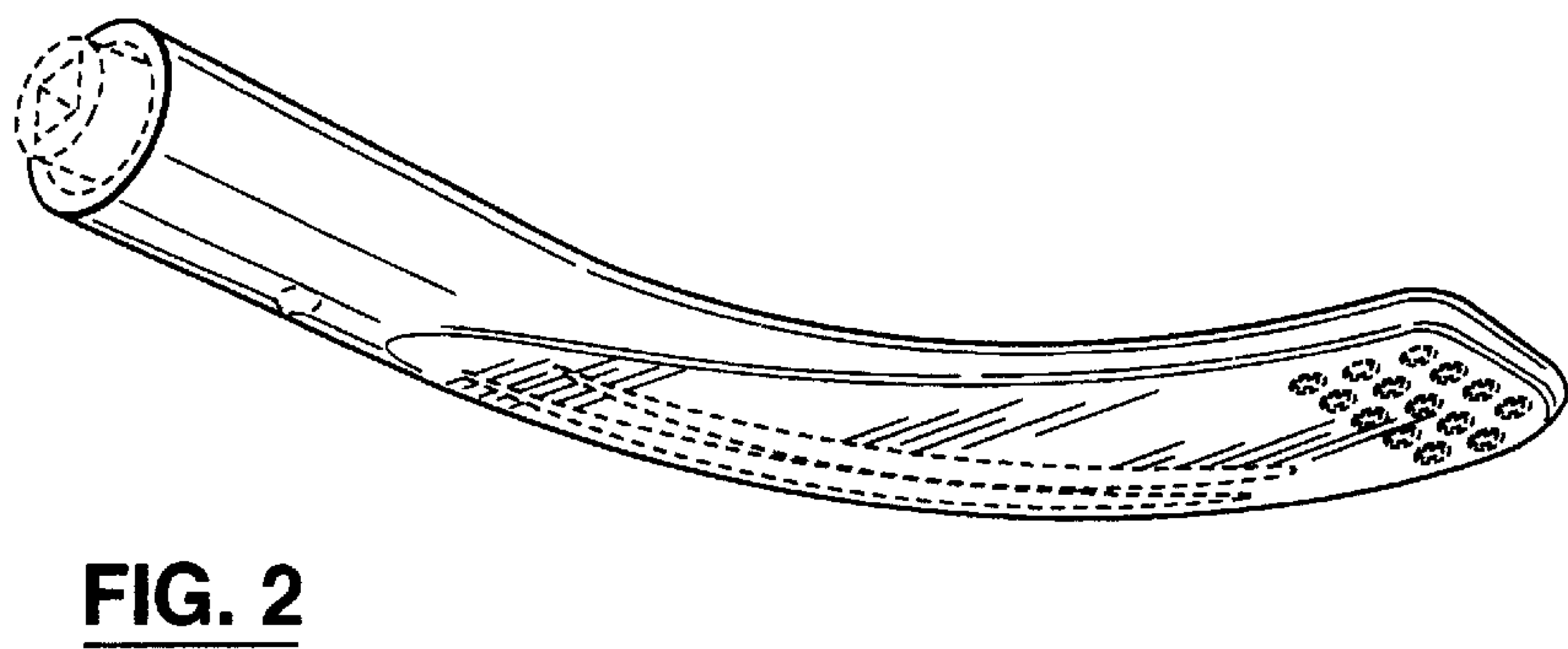
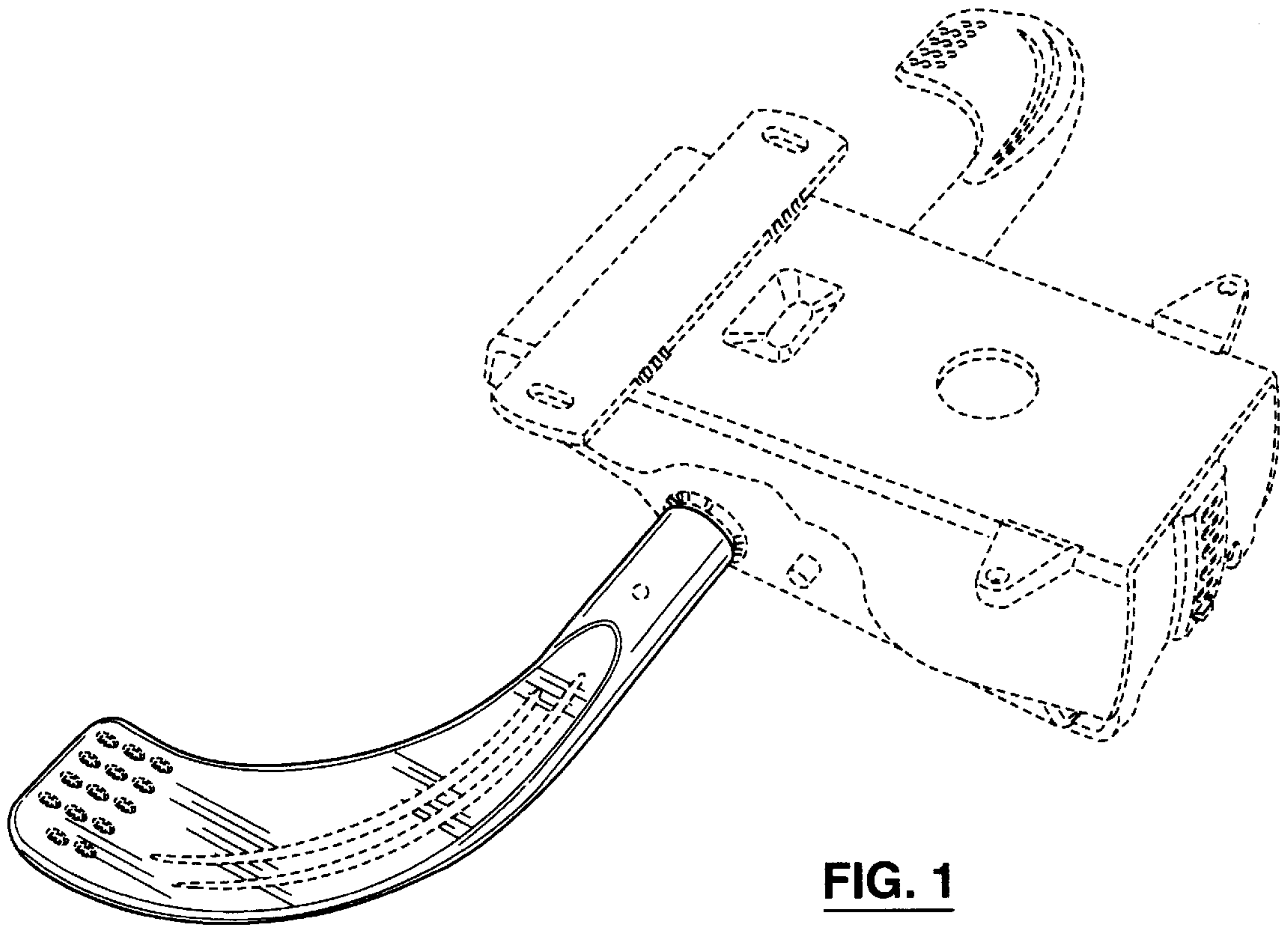
The ornamental design for a chair paddle arm, as shown and described.

DESCRIPTION

FIG. 1 is a top perspective view of the chair paddle arm shown in its environment;
FIG. 2 is a bottom perspective view of the chair paddle arm;
FIG. 3 is a top view of the chair paddle arm;
FIG. 4 is a rear view of the chair paddle arm;
FIG. 5 is a bottom view of the chair paddle arm;
FIG. 6 is an inner end view of the chair paddle arm;
FIG. 7 is a front view of the chair paddle arm; and,
FIG. 8 is an outer end view of the chair paddle arm.
The broken line portions of the drawings form no part of the design as claimed.

1 Claim, 3 Drawing Sheets





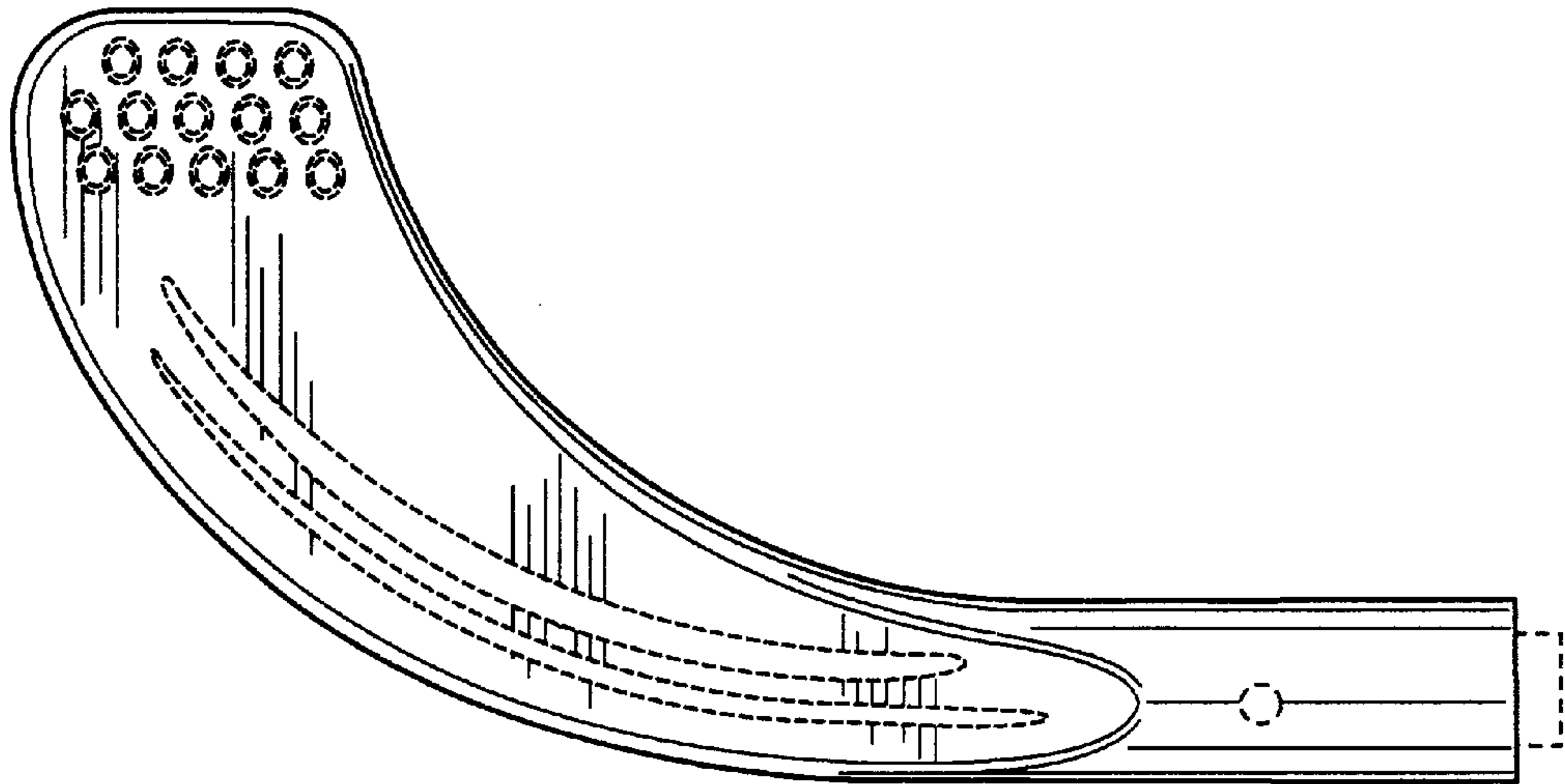


FIG. 3

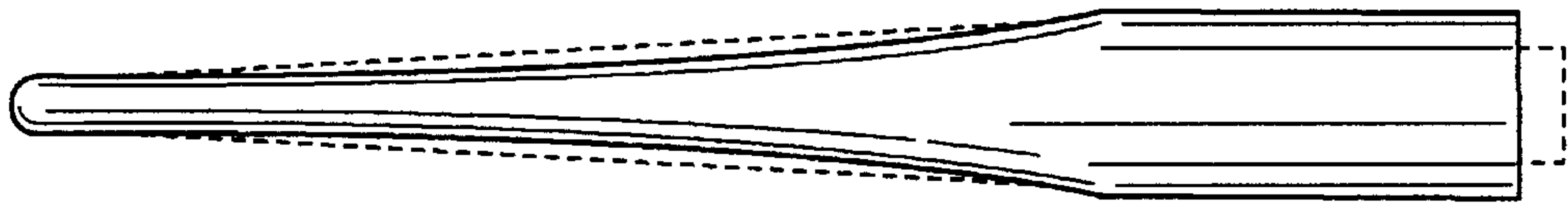


FIG. 4

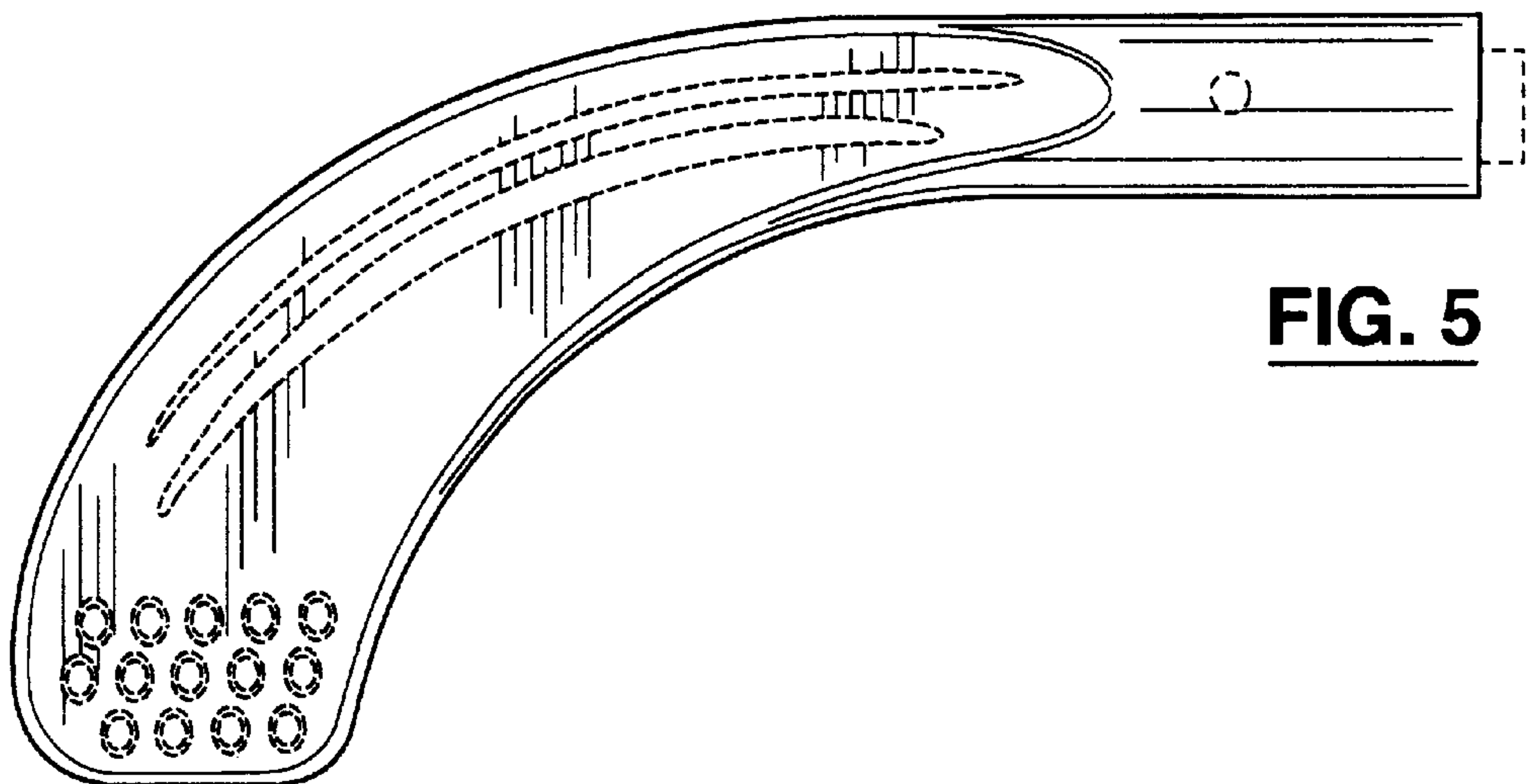


FIG. 5

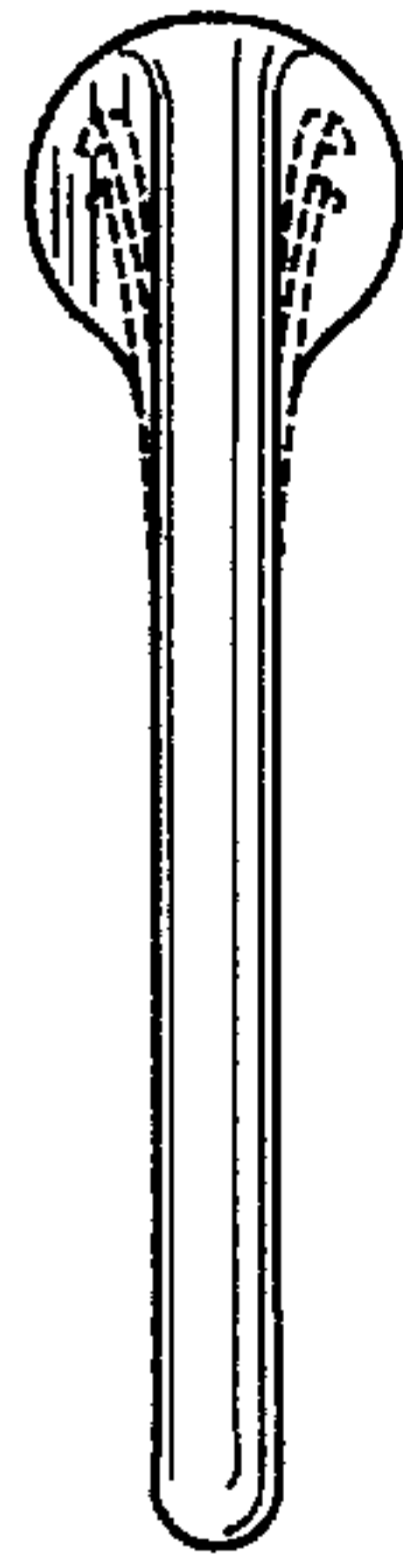


FIG. 8

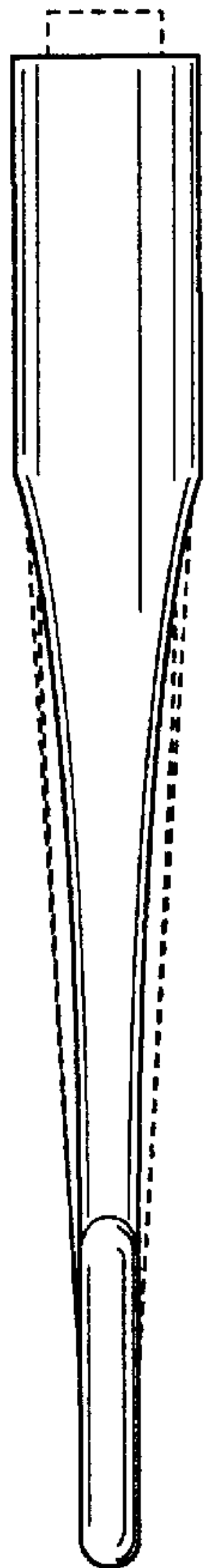


FIG. 7

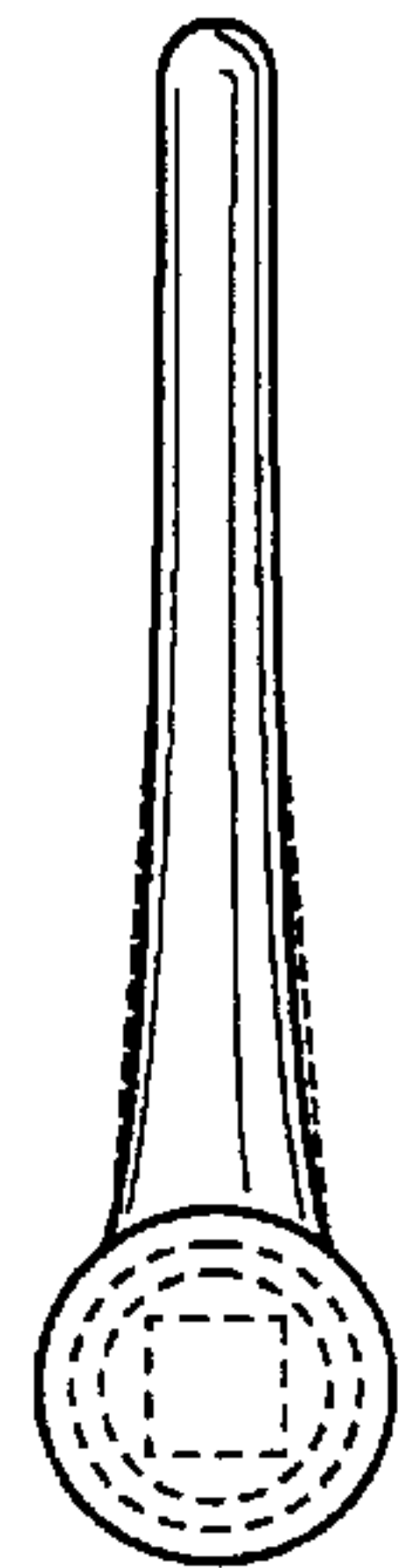


FIG. 6