



US00D479926S

(12) **United States Design Patent**
Chi

(10) **Patent No.:** **US D479,926 S**

(45) **Date of Patent:** **** Sep. 30, 2003**

(54) **BASE FOR OFFICE CHAIR**

4,763,866 A * 8/1988 Sinchok 248/188.7
D473,406 S * 4/2003 Lin D6/498

(76) Inventor: **Ching-Hui Chi**, No. 24-2, Hsi Wei Street, San Chung City, Taipei Hsien (TW)

* cited by examiner

(**) Term: **14 Years**

Primary Examiner—Gary D. Watson
(74) *Attorney, Agent, or Firm*—Rosenberg, Klein & Lee

(21) Appl. No.: **29/175,369**

(57) **CLAIM**

(22) Filed: **Feb. 5, 2003**

The ornamental design for a base for office chair, as shown and described.

(51) **LOC (7) Cl.** **06-06**

DESCRIPTION

(52) **U.S. Cl.** **D6/498; D6/366**

FIG. 1 is a perspective view of a base for office chair showing my new design;

(58) **Field of Search** D6/334, 364, 365, D6/366, 367, 498, 500, 501, 502; 248/188, 188.1, 188.7, 188.8, 188.9; 297/344.18, 463.1

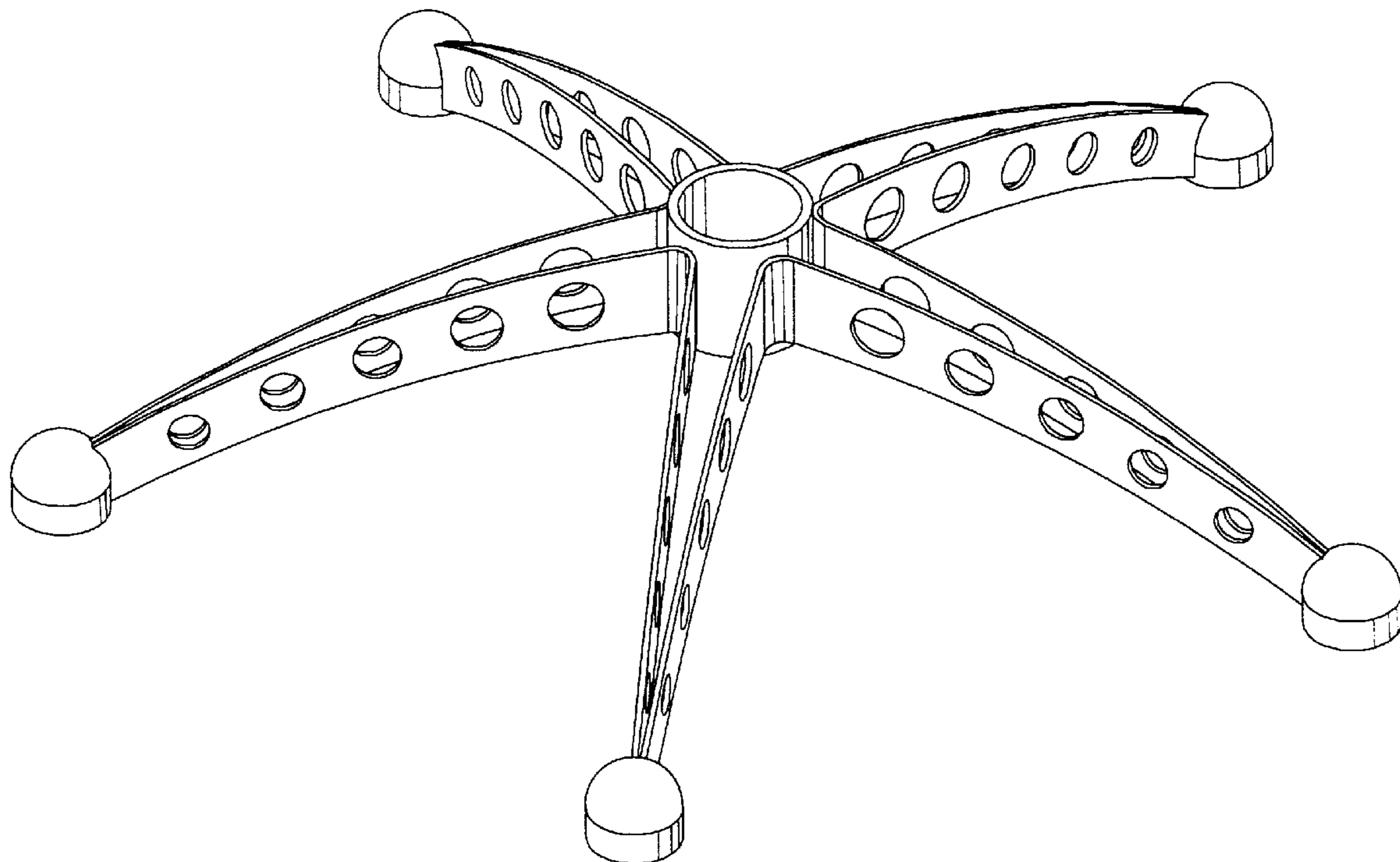
FIG. 2 is a front elevational view thereof;
FIG. 3 is a rear elevational view thereof;
FIG. 4 is a left side elevational view thereof;
FIG. 5 is a right side elevational view thereof;
FIG. 6 is a top plan view thereof; and,
FIG. 7 is a bottom plan view thereof.

(56) **References Cited**

U.S. PATENT DOCUMENTS

D273,350 S * 4/1984 Cafiero D6/366

1 Claim, 5 Drawing Sheets



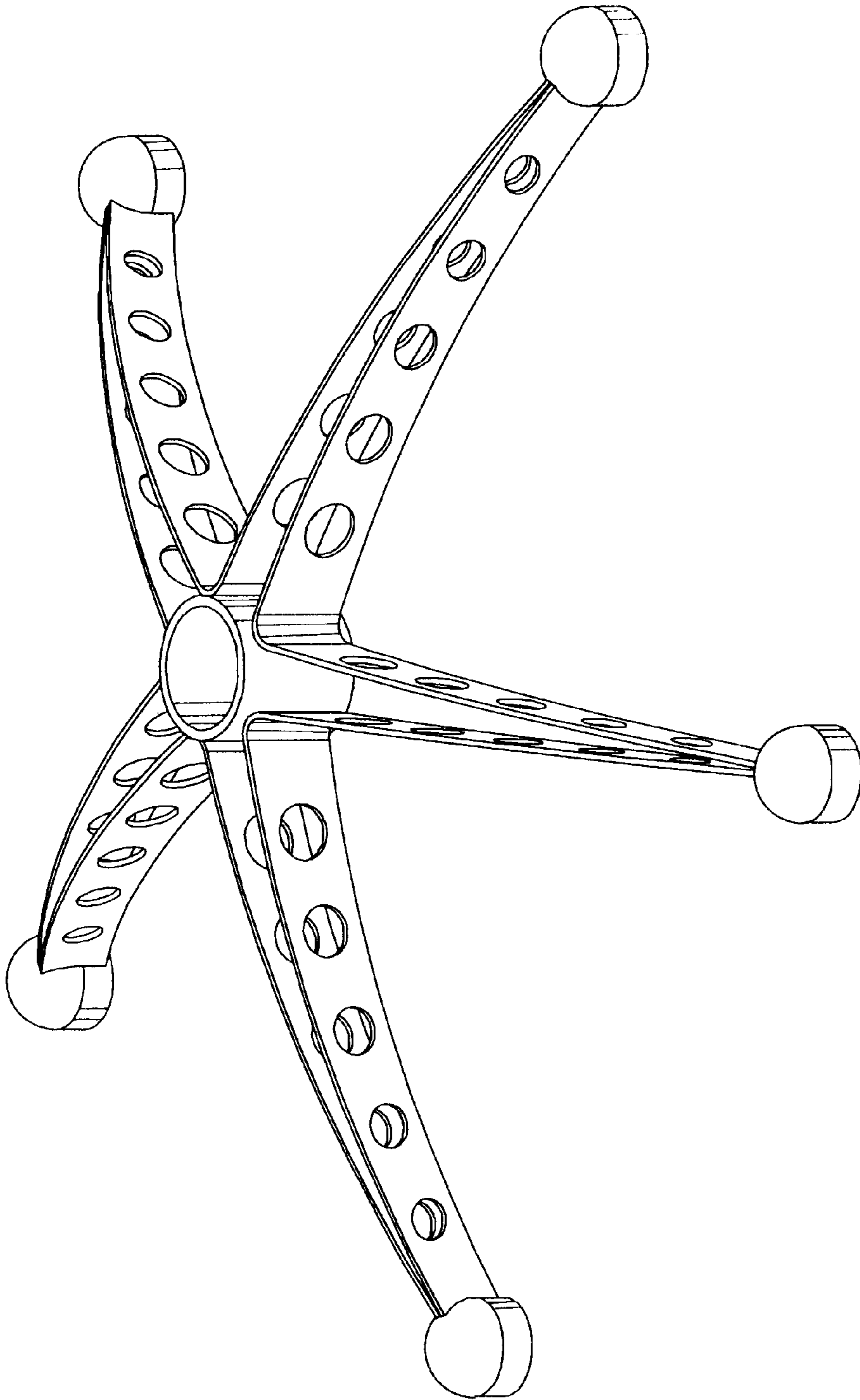


FIG. 1

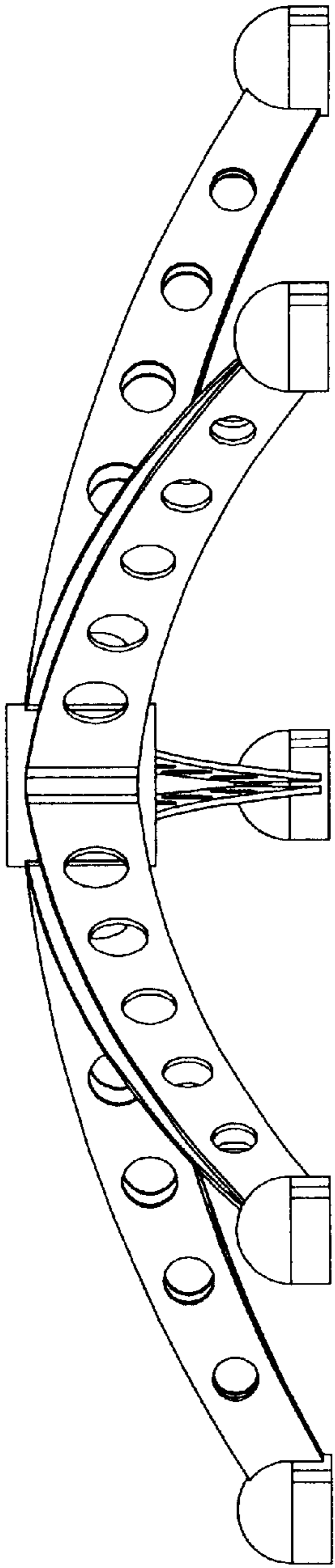


FIG. 2

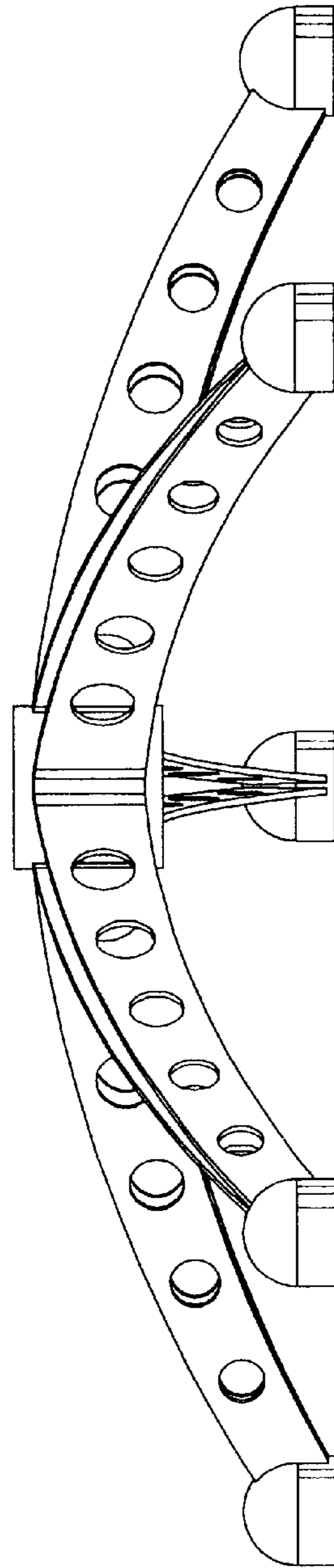


FIG. 3

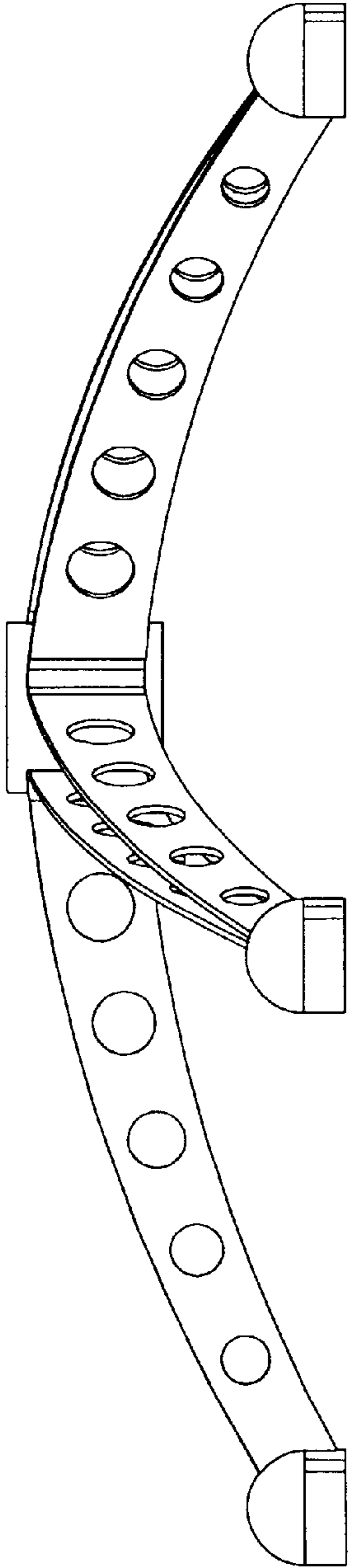


FIG. 4

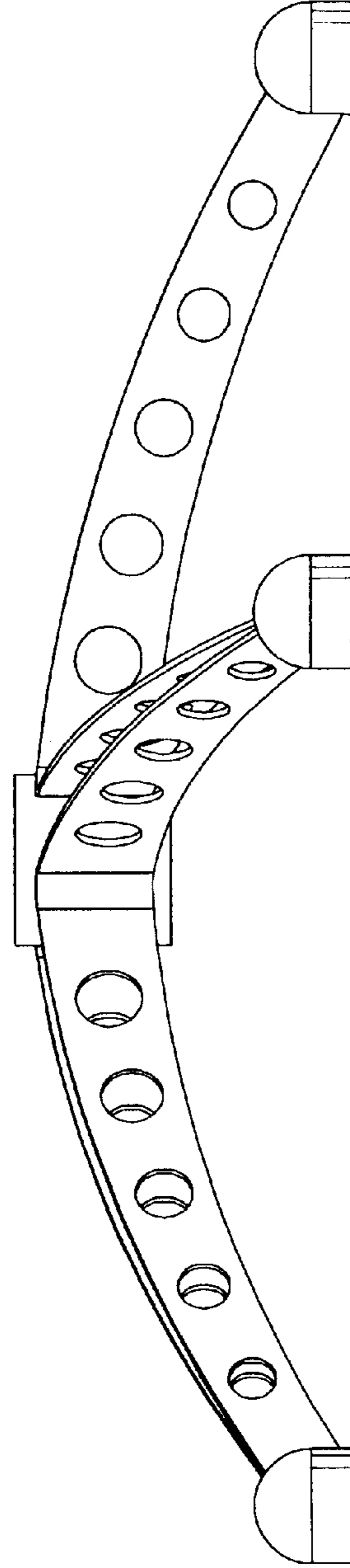


FIG. 5

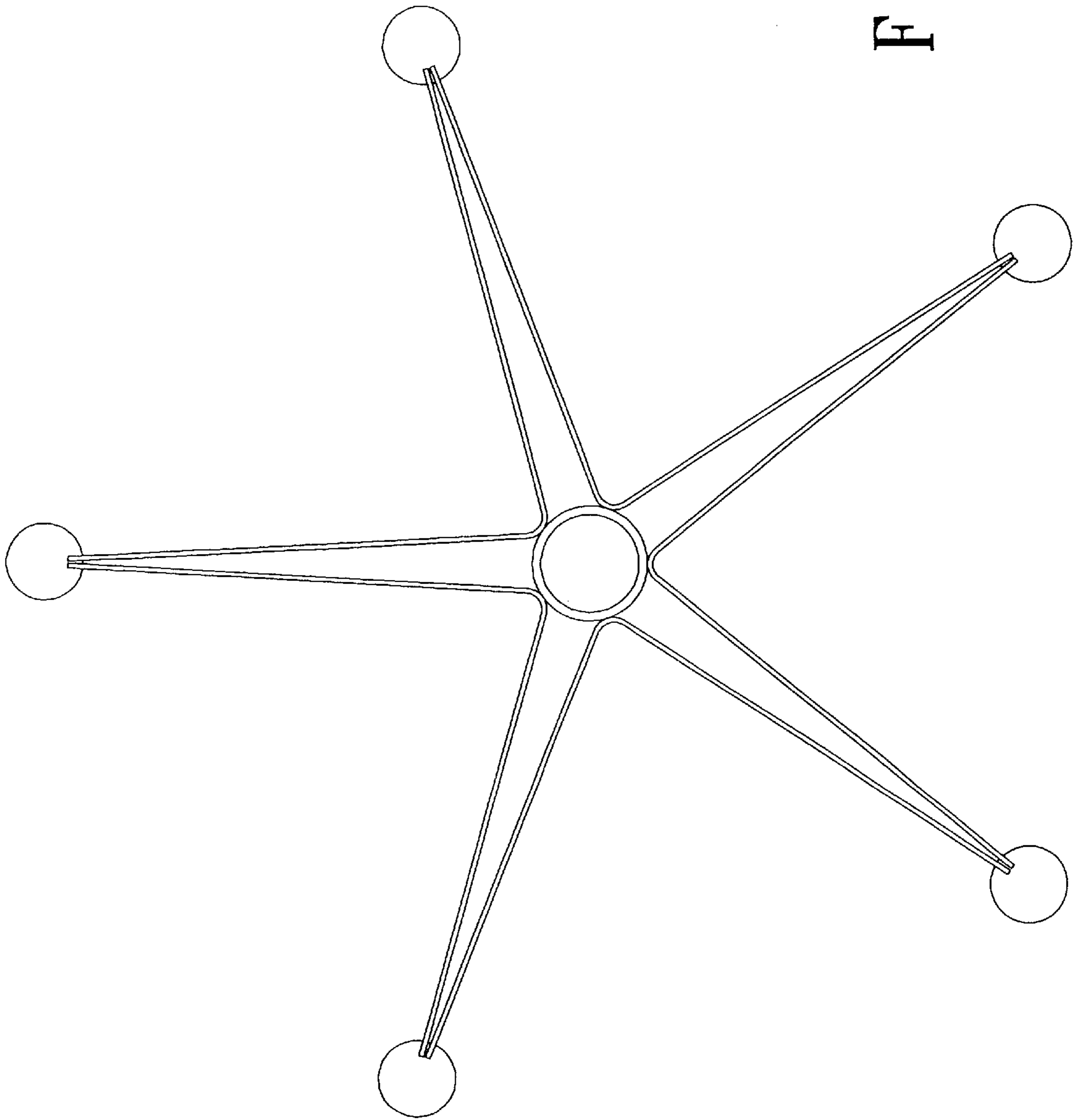


FIG. 6

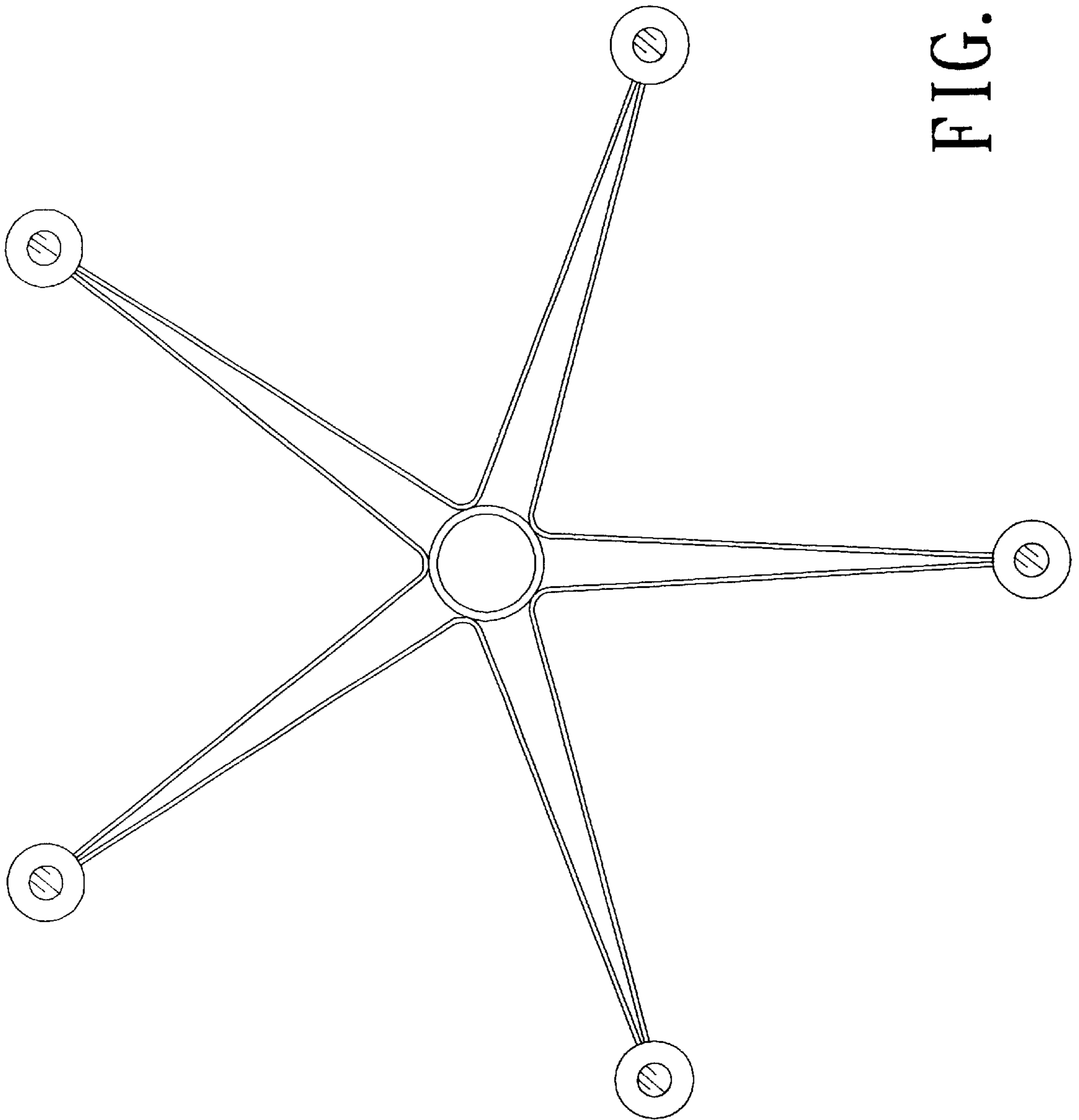


FIG. 7