



US00D47925S

(12) **United States Design Patent**
Hsieh et al.

(10) **Patent No.:** **US D479,925 S**

(45) **Date of Patent:** **** Sep. 30, 2003**

(54) **MODULAR WALL SHELVING SYSTEM**

6,123,209 A * 9/2000 Tseng 211/186

(75) Inventors: **Kelvin Hsieh**, Pico Rivera, CA (US);
William Tan, Los Angeles, CA (US);
David Goetz, Los Angeles, CA (US)

* cited by examiner

Primary Examiner—Cathron C. Brooks

(73) Assignee: **J D Pacific Rim Inc.**, Pico Rivera, CA (US)

(74) *Attorney, Agent, or Firm*—Philip K. Yu; Birch, Stewart, Kolasch & Birch, LLP

(**) Term: **14 Years**

(57) **CLAIM**

The ornamental design for a modular wall shelving system, as shown and described.

(21) Appl. No.: **29/165,647**

DESCRIPTION

(22) Filed: **Aug. 14, 2002**

(51) **LOC (7) Cl.** **06-04**

FIG. 1 is a perspective view of a first preferred embodiment of the modular wall shelving system showing my new design;

(52) **U.S. Cl.** **D6/479; D6/478**

FIG. 2 is a plan front view of the first preferred embodiment of the modular wall shelving system, the opposite side being a mirror image of this side;

(58) **Field of Search** D6/630, 477, 478, D6/479; 108/59, 60, 61, 91, 92, 93, 149, 157.1, 158.11, 155; 211/36, 90.01, 90.04, 134, 153, 175, 186, 187, 188

FIG. 3 is a side view of the first preferred embodiment of the modular wall shelving system, the opposite side being a mirror image of this side;

(56) **References Cited**

U.S. PATENT DOCUMENTS

D233,294 S	*	10/1974	Goulder	D6/478
D287,199 S	*	12/1986	Scarpa et al.	D6/479
D303,879 S	*	10/1989	Williams	D6/397
4,930,643 A	*	6/1990	Flum	211/188
5,065,873 A	*	11/1991	Tseng	211/187
5,409,122 A	*	4/1995	Lazarus	211/186
D364,055 S	*	11/1995	Pakla	D6/477
D383,014 S	*	9/1997	Sagol	D6/479
D430,431 S	*	9/2000	Walter	D6/465

FIG. 4 is a top view of the first preferred embodiment of the modular wall shelving system;

FIG. 5 is an enlarged perspective view of the vertical support and cross bracket of the modular wall shelving system.

FIG. 6 is an exploded view of the vertical support and cross bracket of the modular wall shelving system; and,

FIG. 7 is a perspective view of a second preferred embodiment of the modular wall shelving system.

1 Claim, 6 Drawing Sheets

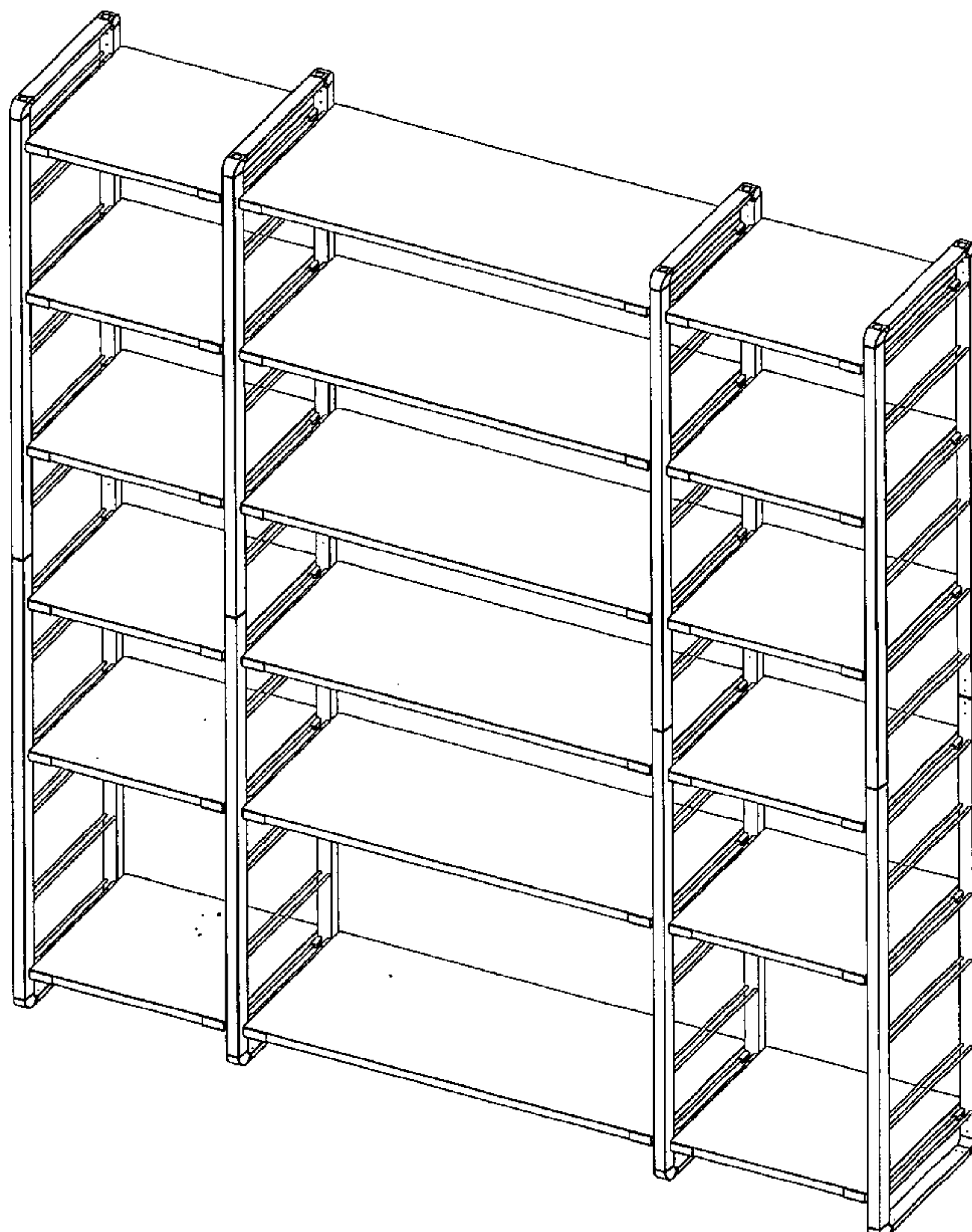


FIG. 1

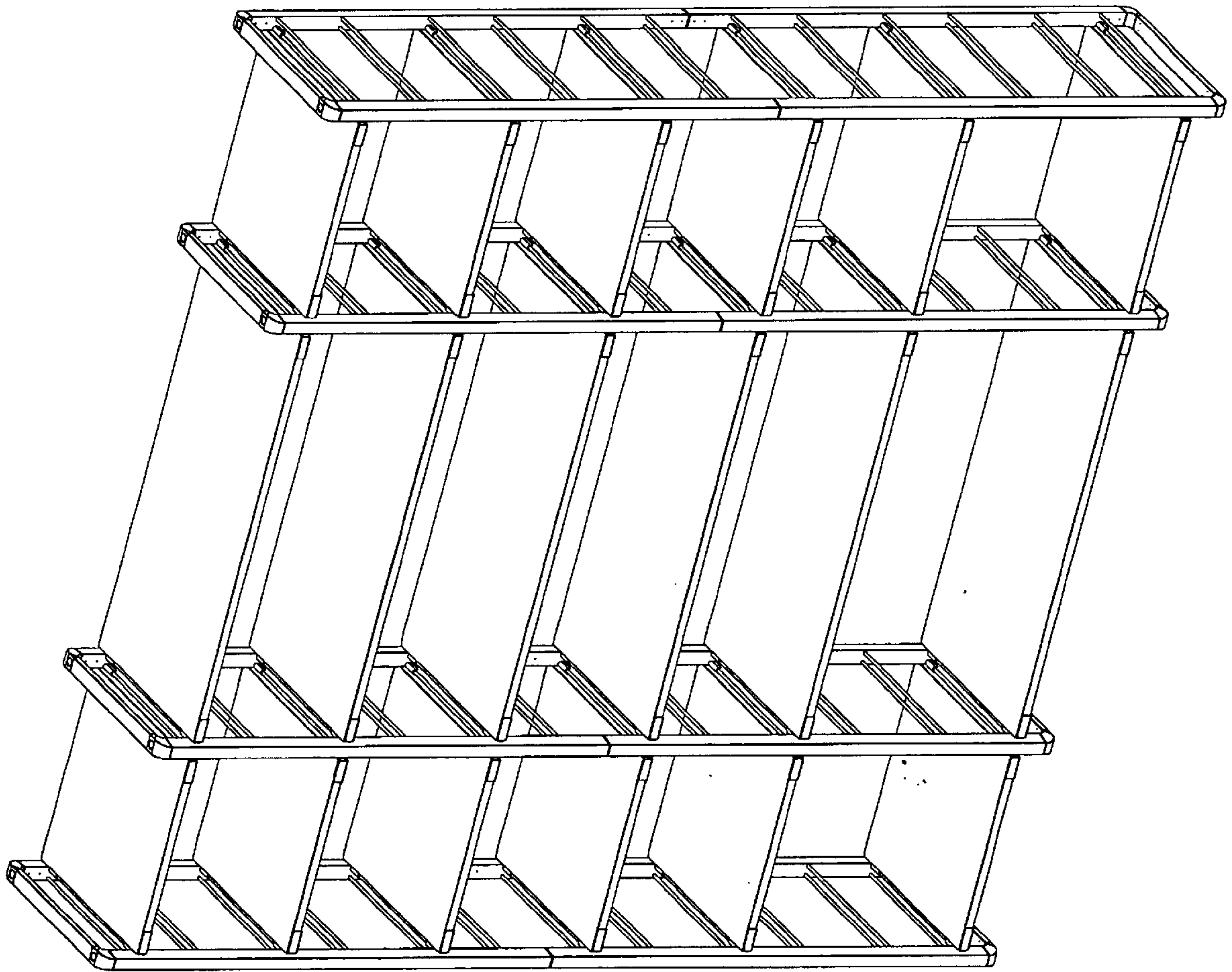


FIG. 2

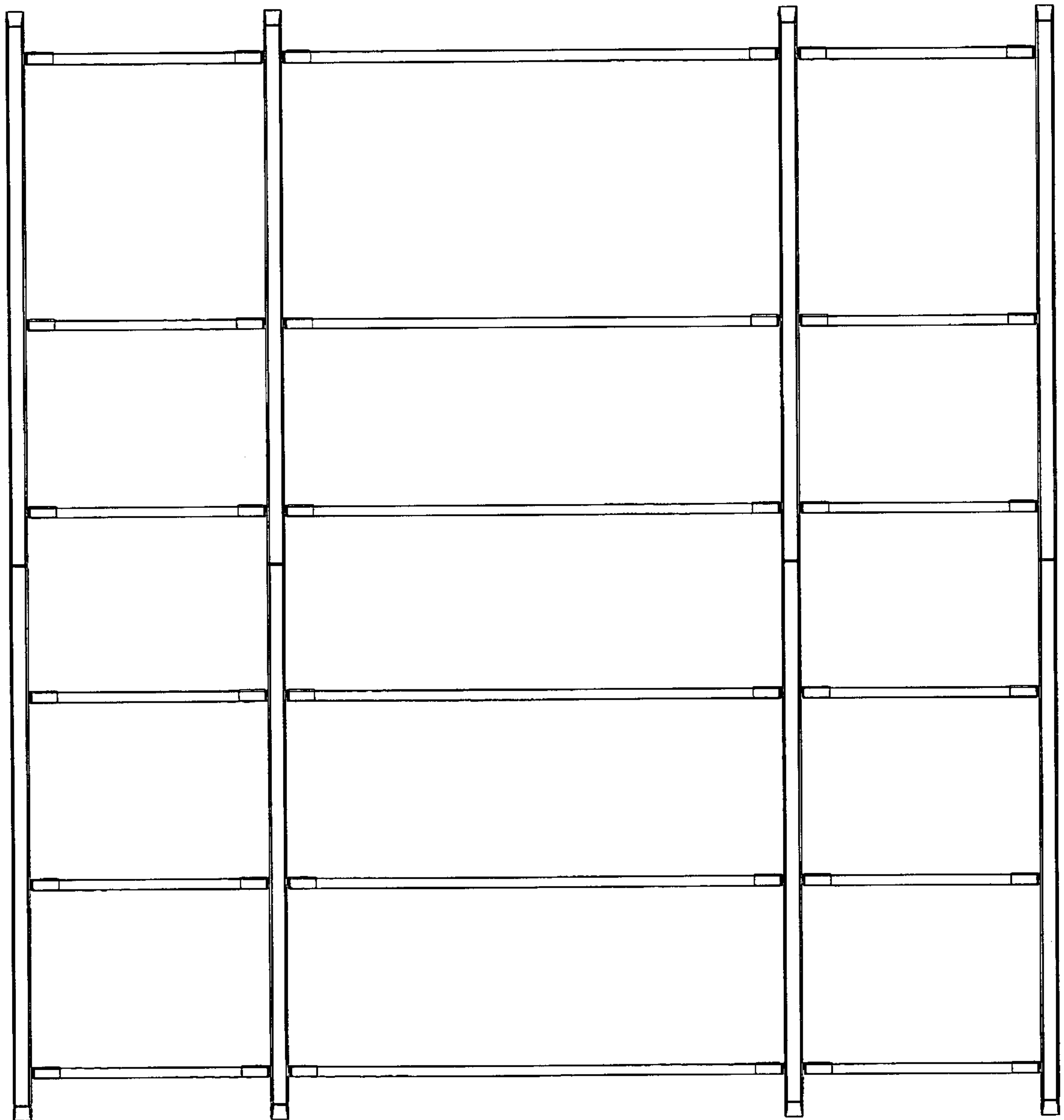
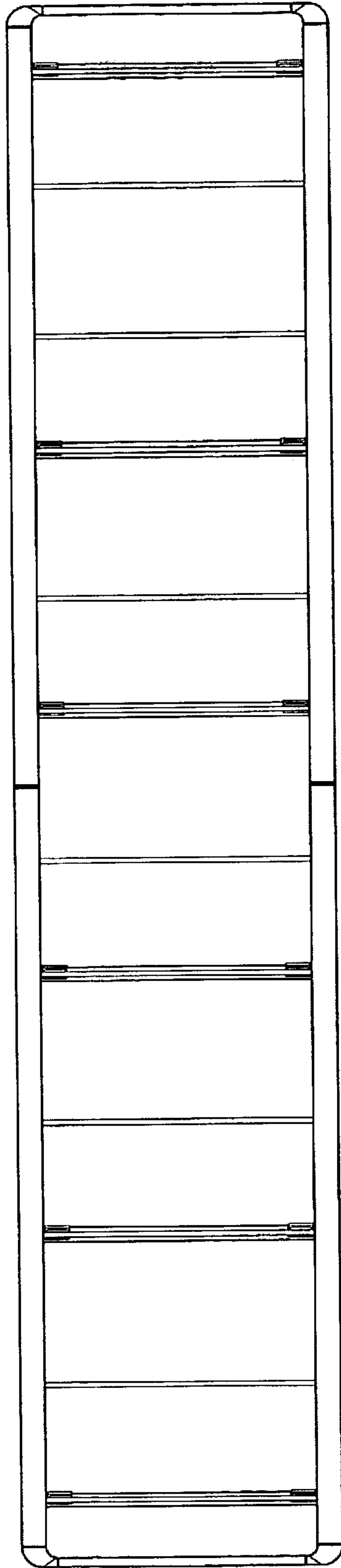


FIG. 3



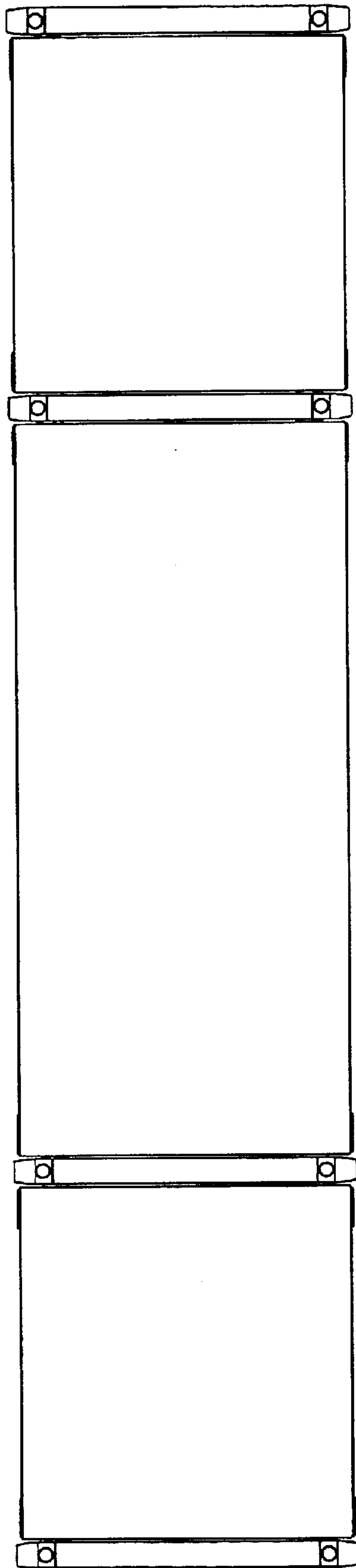


FIG. 4

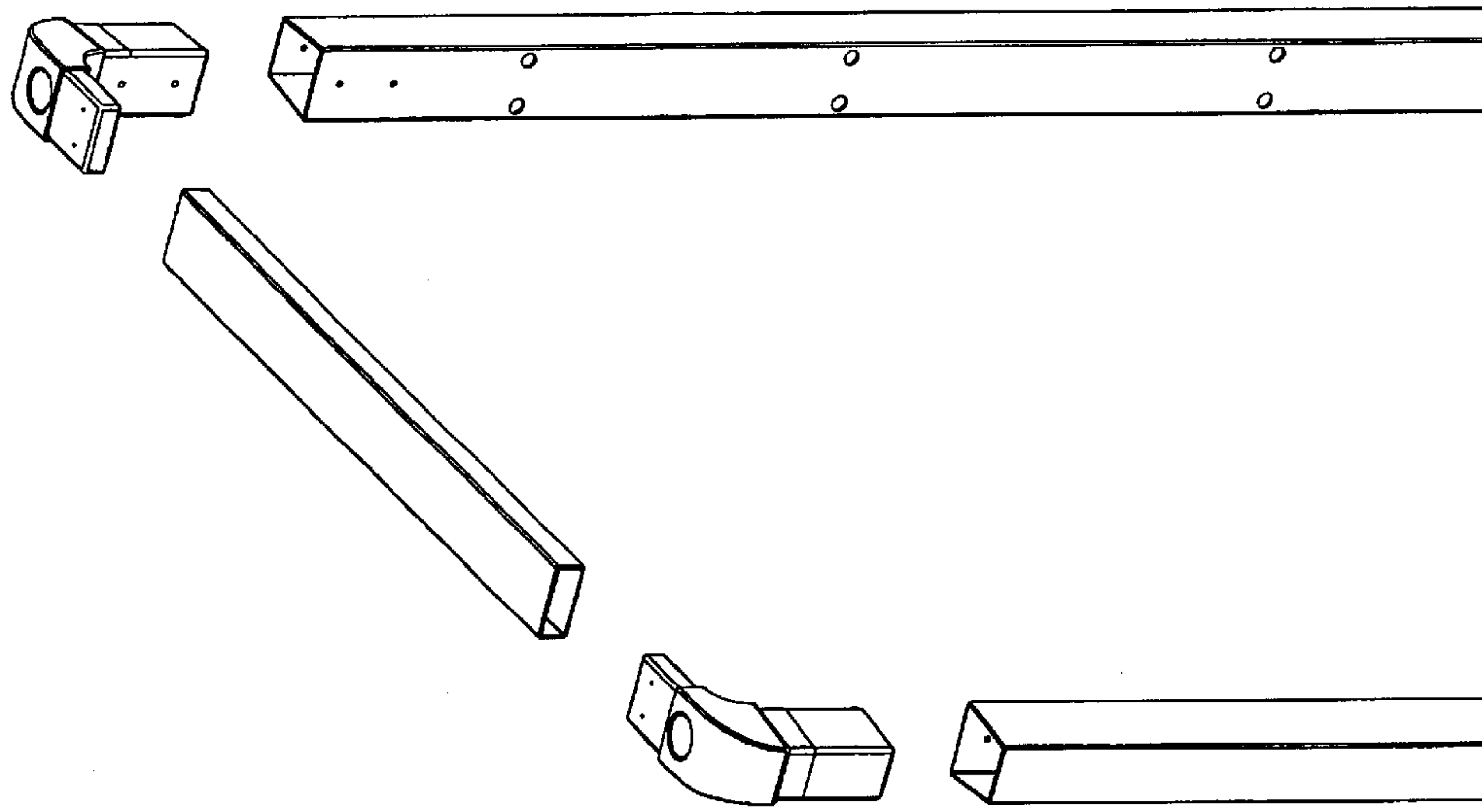


FIG. 6

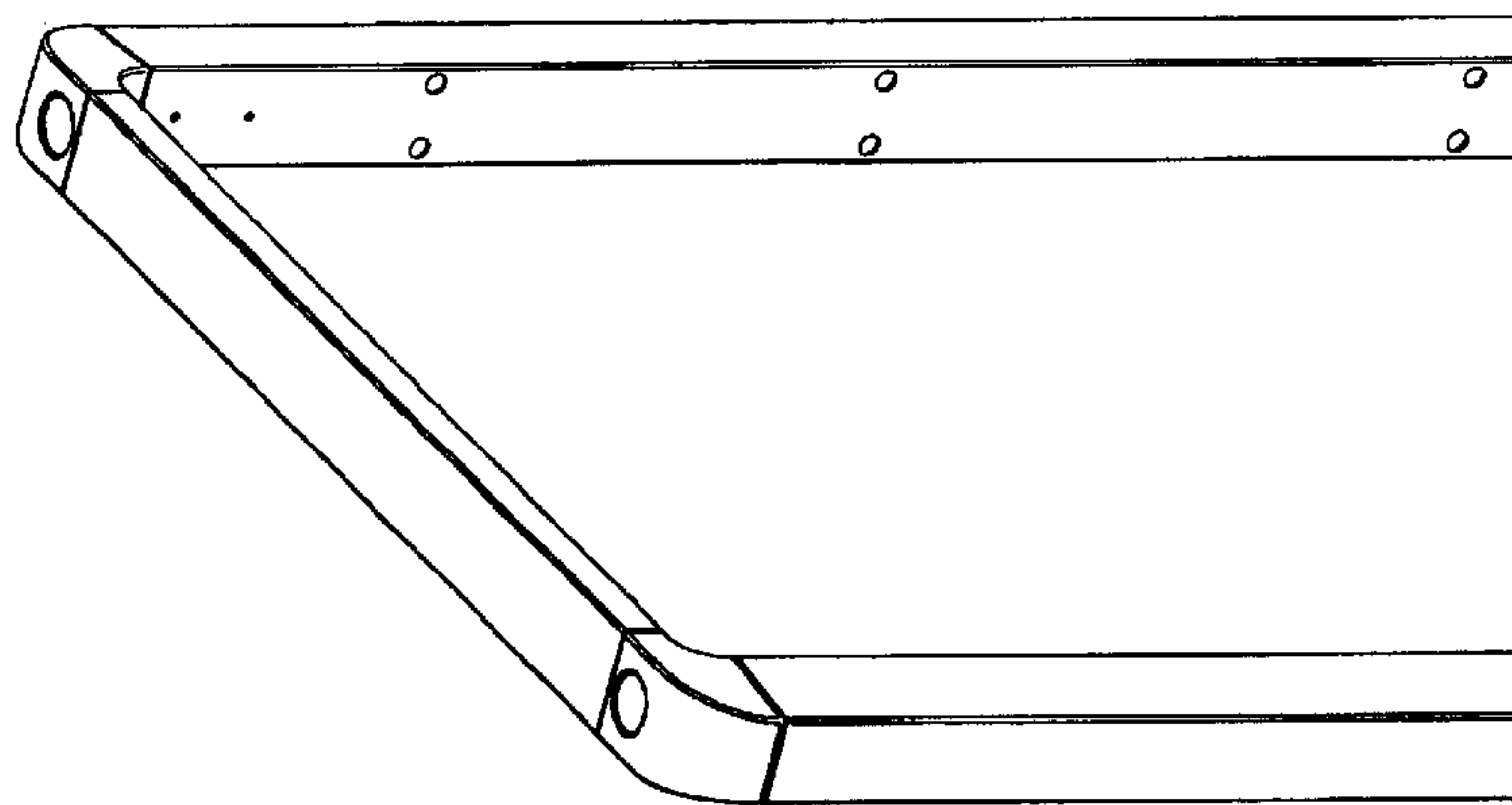


FIG. 5

FIG. 7

