



US00D479922S

(12) **United States Design Patent**  
**Kwok**

(10) **Patent No.:** **US D479,922 S**

(45) **Date of Patent:** **\*\* Sep. 30, 2003**

(54) **STORAGE RACK FOR COMPACT DISCS,  
CASSETTES, AND THE LIKE**

(75) **Inventor:** **Tat Cheong Kwok, Hong Kong (HK)**

(73) **Assignee:** **Kwok's Brother Manufacturing  
Limited, Chaiwan (HK)**

(\*\*) **Term:** **14 Years**

(21) **Appl. No.:** **29/173,927**

(22) **Filed:** **Jan. 9, 2003**

(30) **Foreign Application Priority Data**

Jul. 10, 2002 (HK) ..... 0211029

(51) **LOC (7) Cl.** ..... **06-04**

(52) **U.S. Cl.** ..... **D6/407; D6/450**

(58) **Field of Search** ..... D6/407, 627-630,  
D6/449, 450, 462; 206/308.1, 309; 211/40,  
42, 43, 41.12; 312/9.1, 9.9, 9.11, 9.16,  
9.46, 9.47, 9.51, 9.53, 9.54, 9.64

(56) **References Cited**

**U.S. PATENT DOCUMENTS**

D411,136 S \* 6/1999 Avey ..... D6/450 X  
D467,446 S \* 12/2002 Brass et al. .... D6/407  
D473,066 S \* 4/2003 Kwok ..... D6/407

\* cited by examiner

*Primary Examiner*—Cathron C. Brooks

(74) *Attorney, Agent, or Firm*—Dorsey & Whitney LLP

(57) **CLAIM**

The ornamental design for a storage rack for compact discs, cassettes, and the like, as shown and described.

**DESCRIPTION**

FIG. 1 is a perspective view from the front left side of the rack showing a first embodiment of my new ornamental design;

FIG. 2 is a left elevational view thereof;

FIG. 3 is a right elevational view thereof;

FIG. 4 is a front elevational view thereof;

FIG. 5 is a rear elevational view thereof;

FIG. 6 is a top plan view thereof;

FIG. 7 is a bottom plan view thereof;

FIG. 8 is a perspective view from the front left side of a second embodiment of my new ornamental design, illustrating two articles in a stacked arrangement thereof;

FIG. 9 is a left elevational view, illustrating two articles in a stacked arrangement thereof;

FIG. 10 is a right elevational view, illustrating two articles in a stacked arrangement thereof;

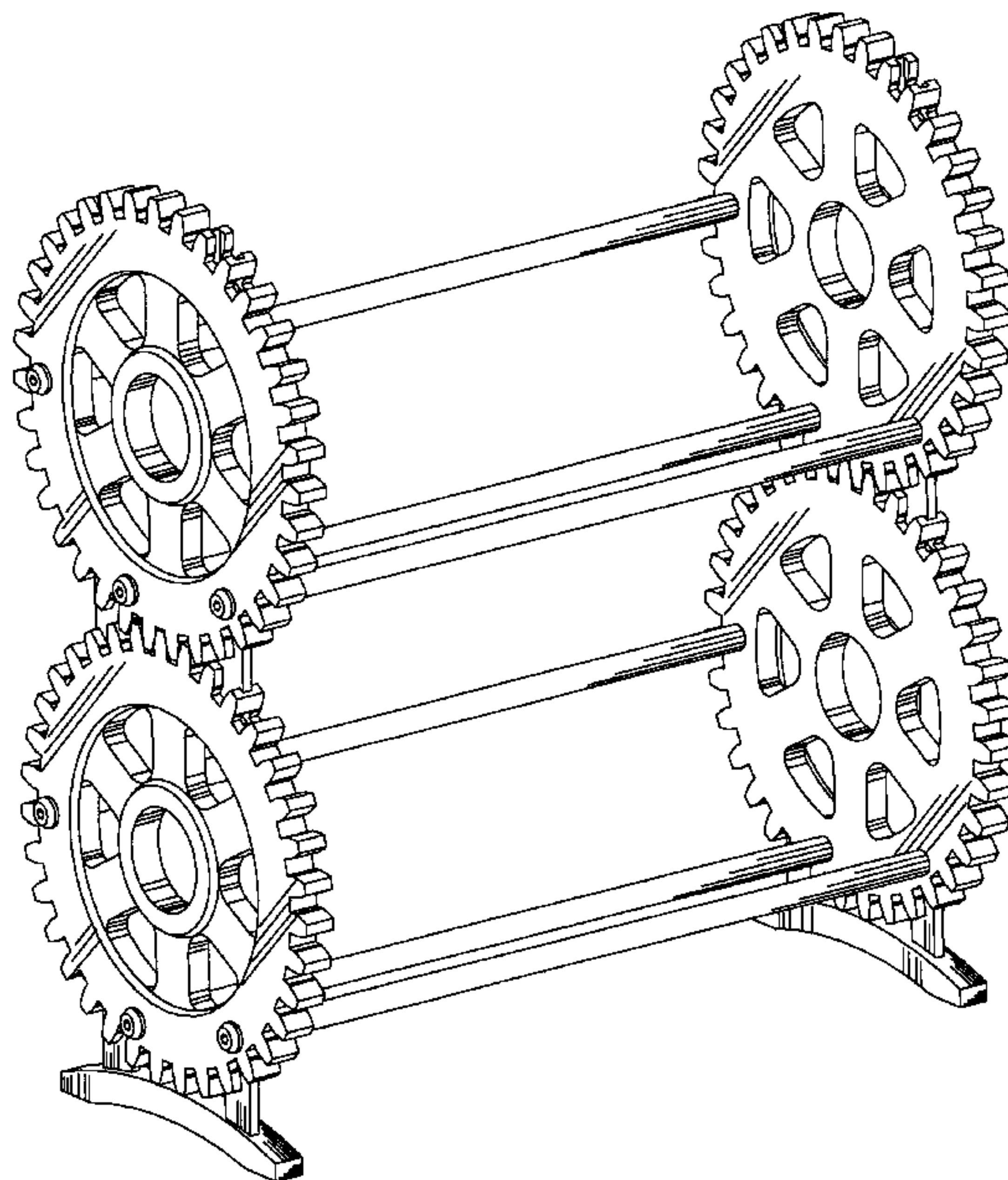
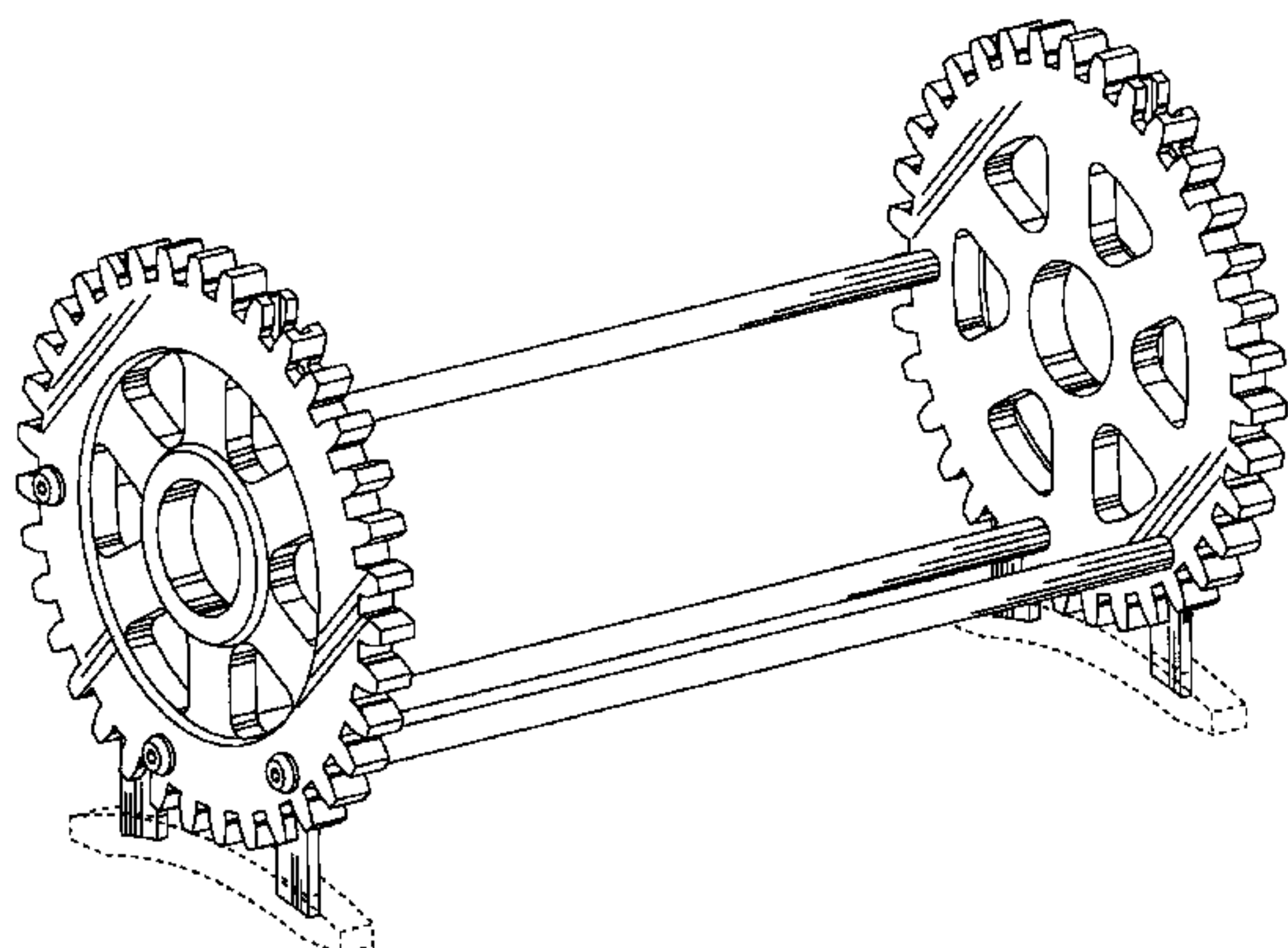
FIG. 11 is a front elevational view, illustrating two articles in a stacked arrangement thereof;

FIG. 12 is a rear elevational view, illustrating two articles in a stacked arrangement thereof;

FIG. 13 is a top plan view thereof; and,

FIG. 14 is a bottom plan view thereof.

**1 Claim, 14 Drawing Sheets**



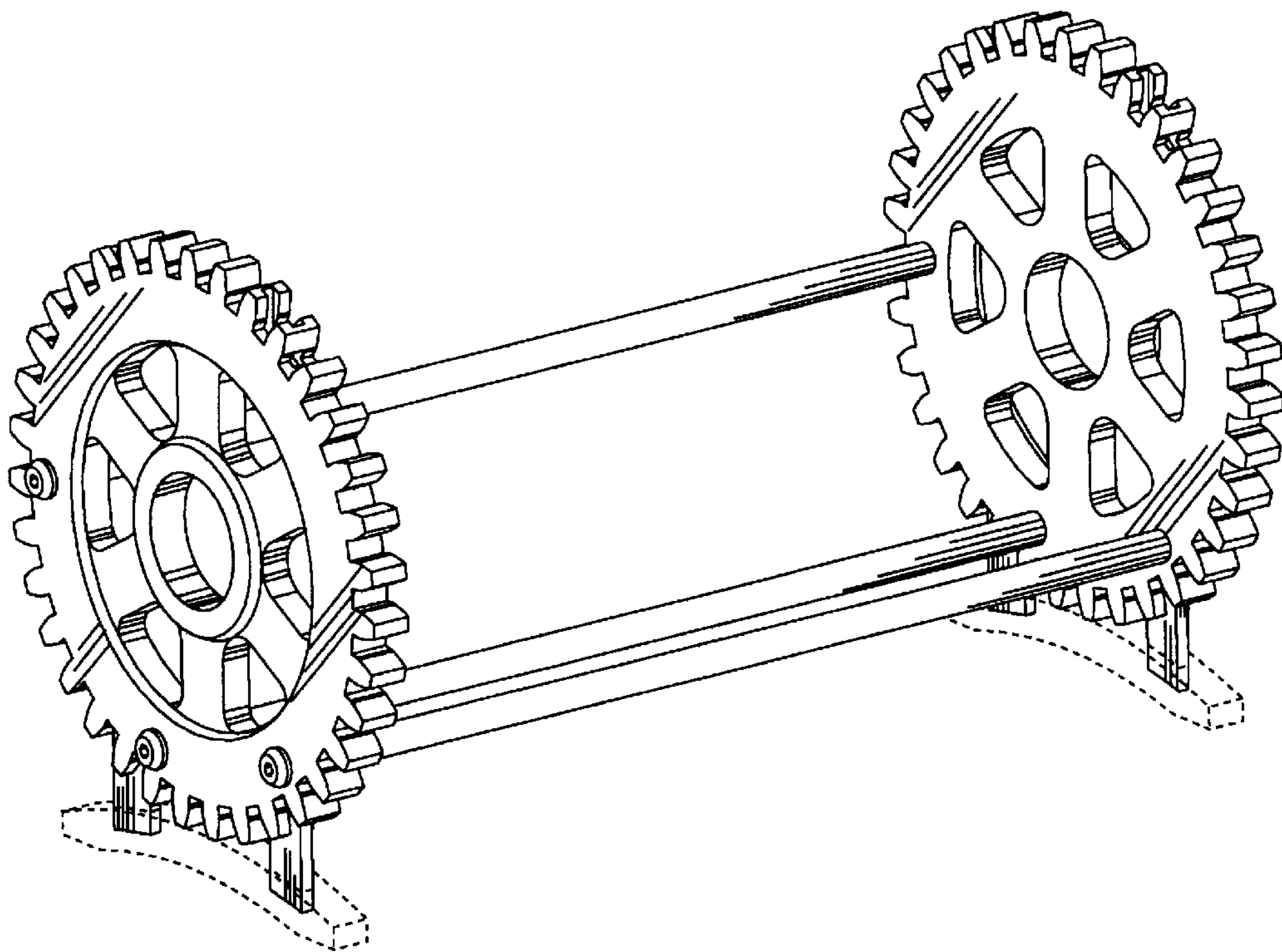


FIG 1

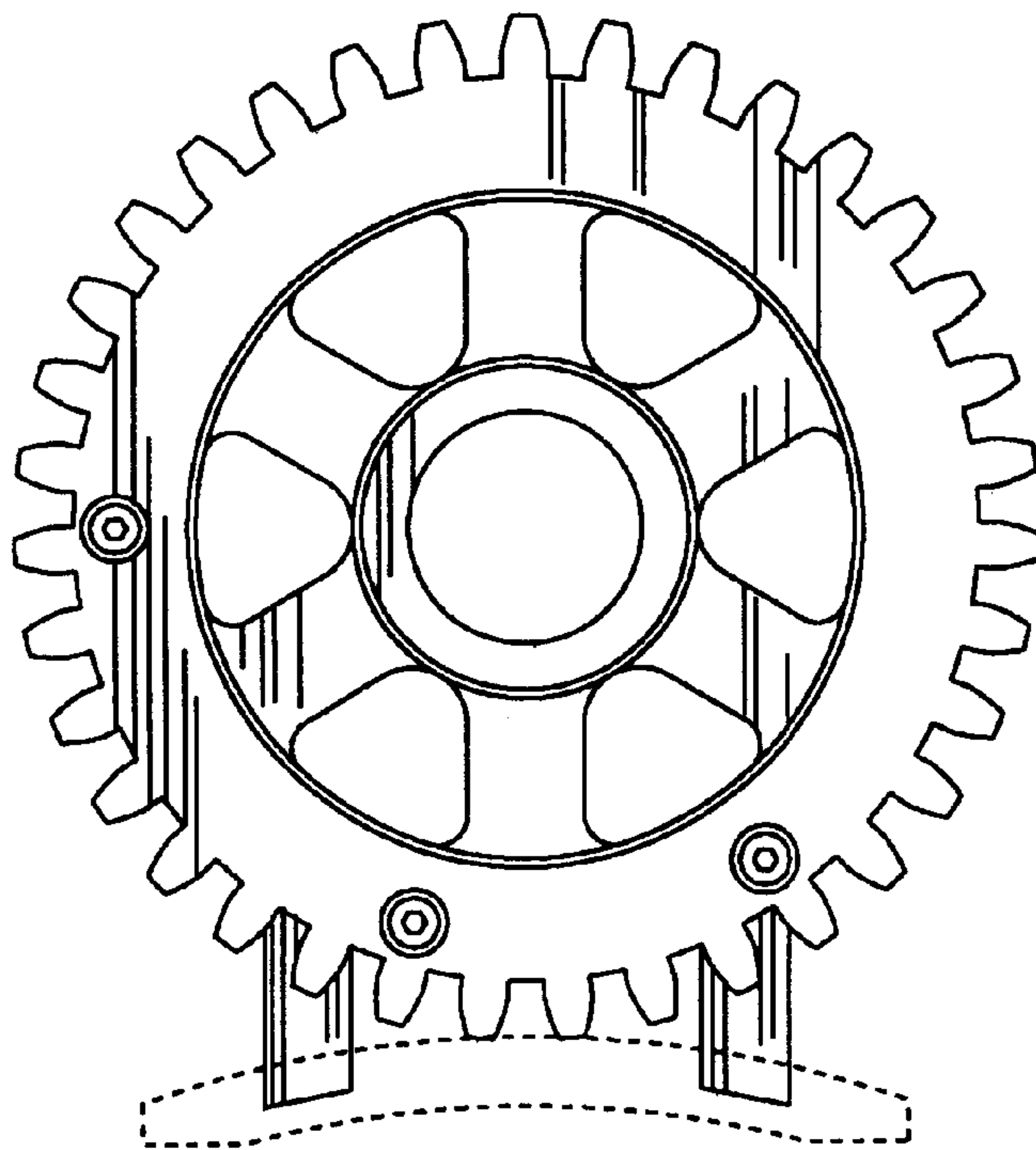


FIG 2

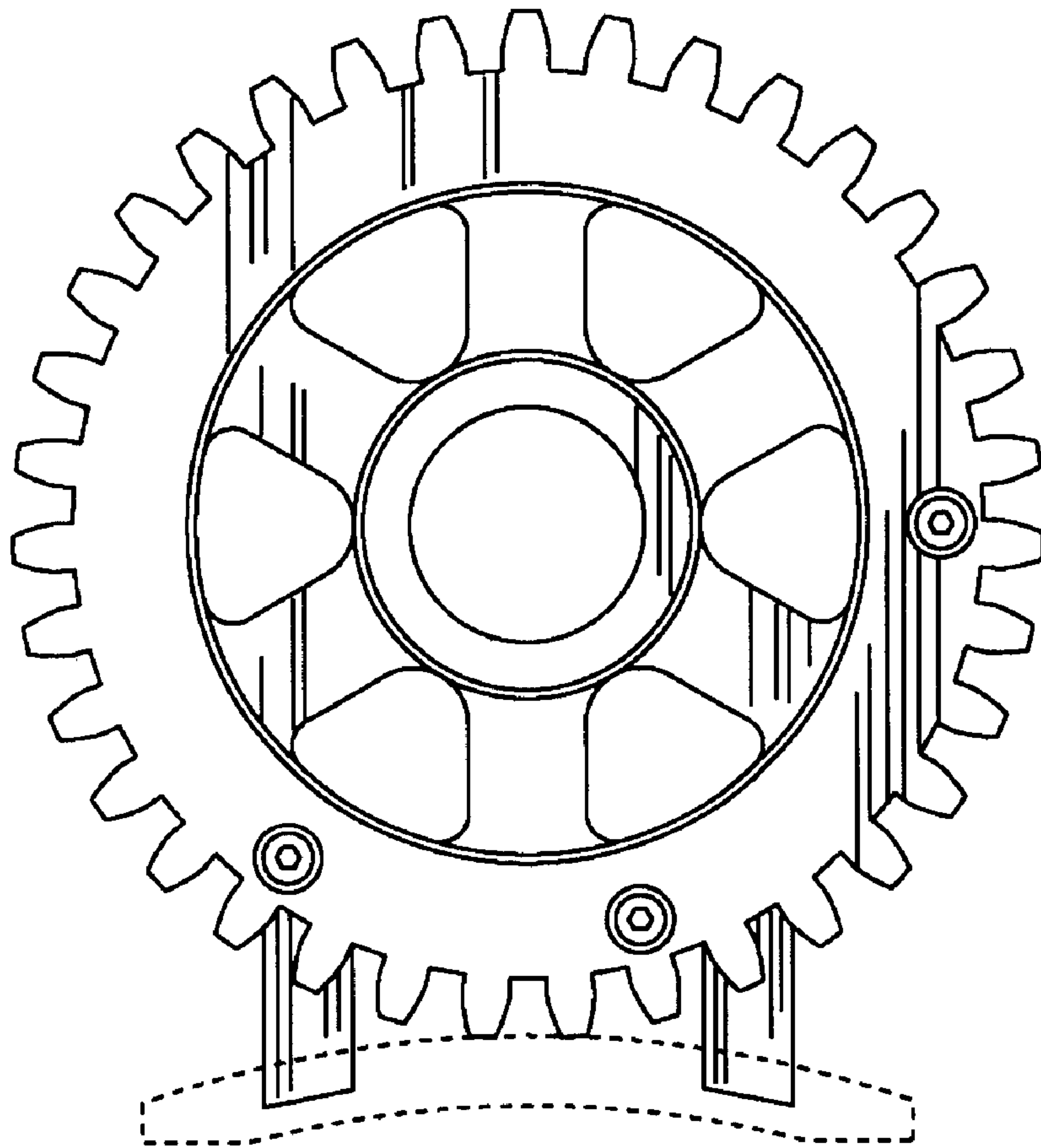


FIG 3

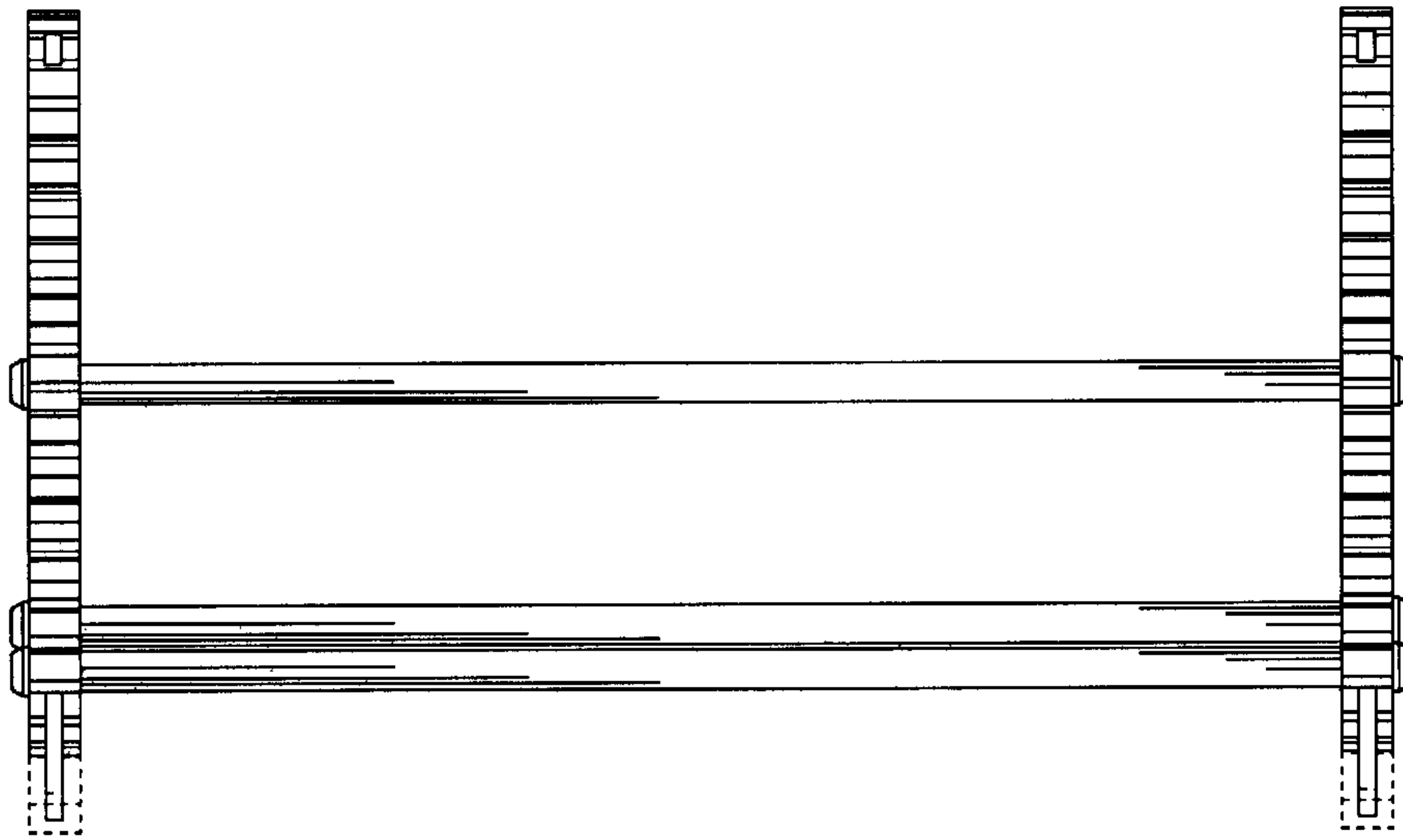


FIG 4

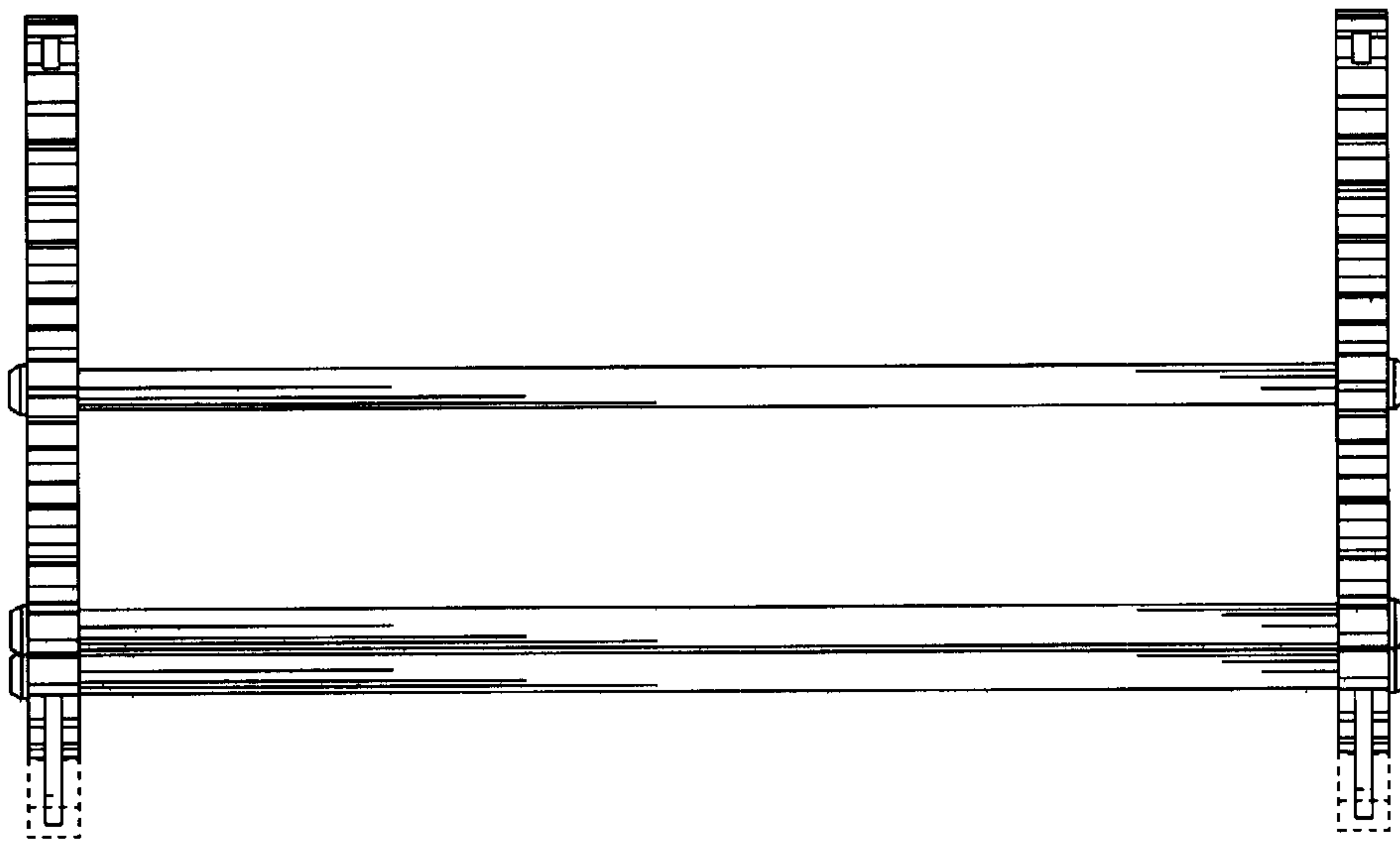


FIG 5



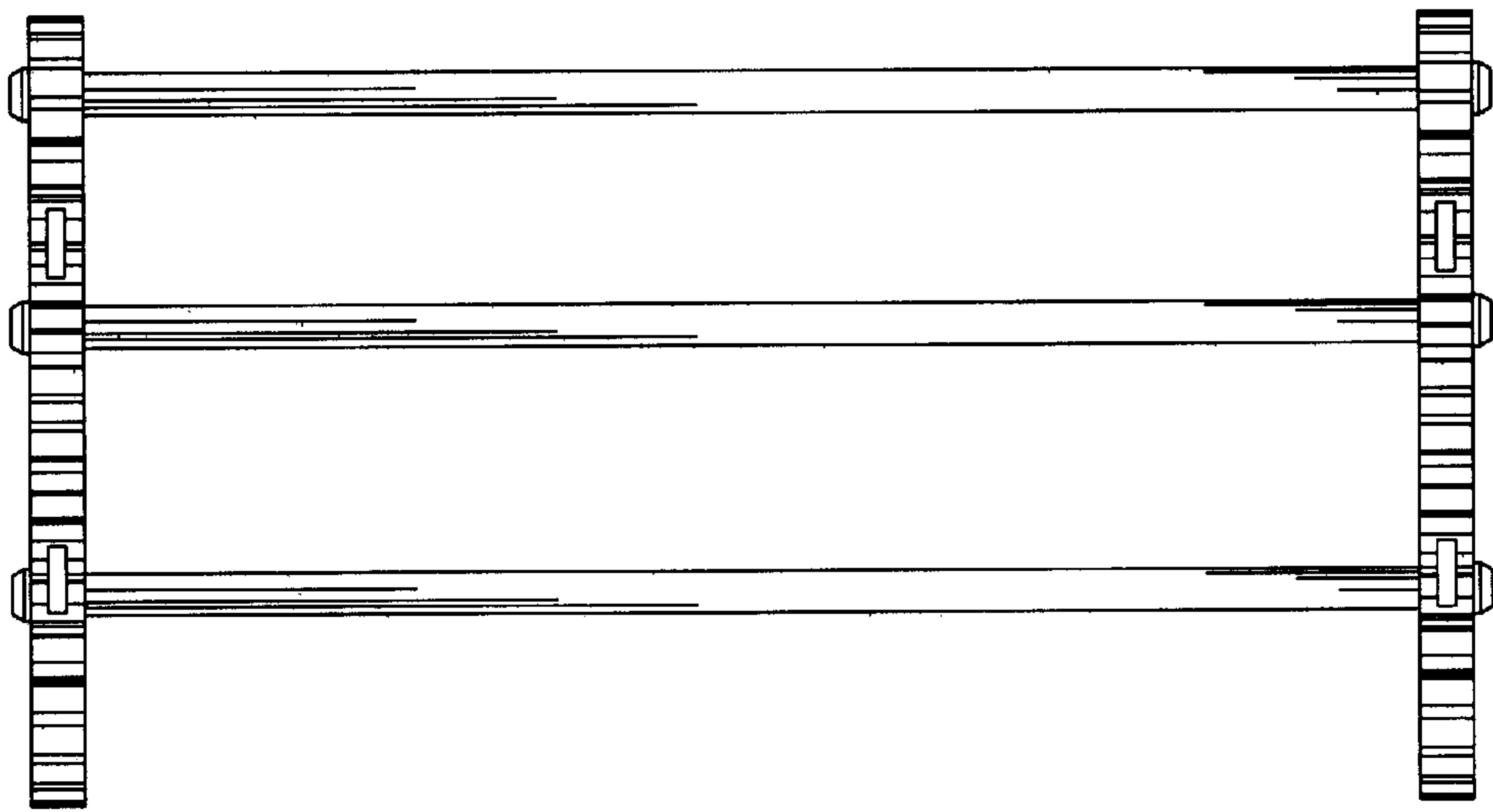


FIG 6

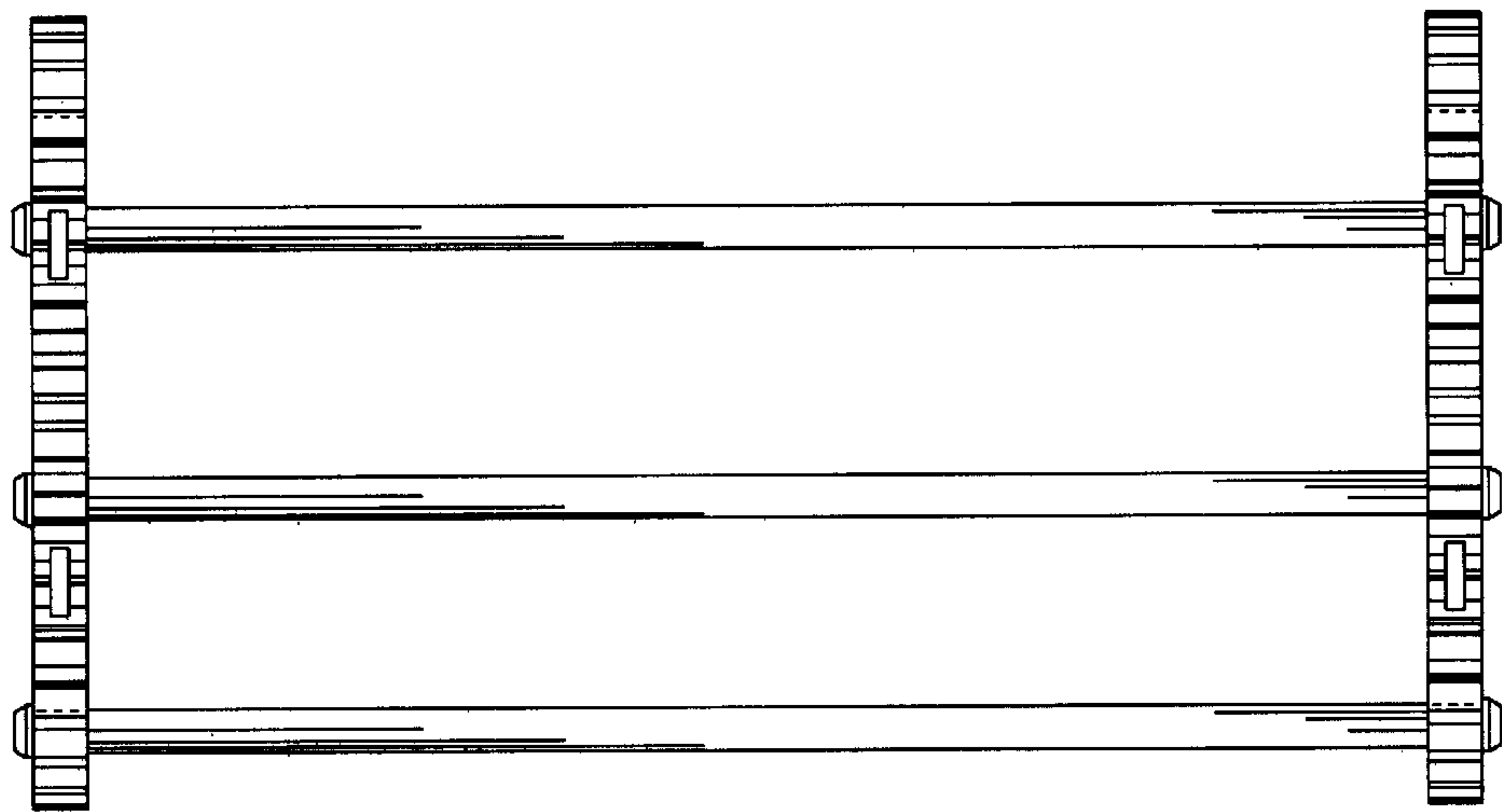


FIG 7



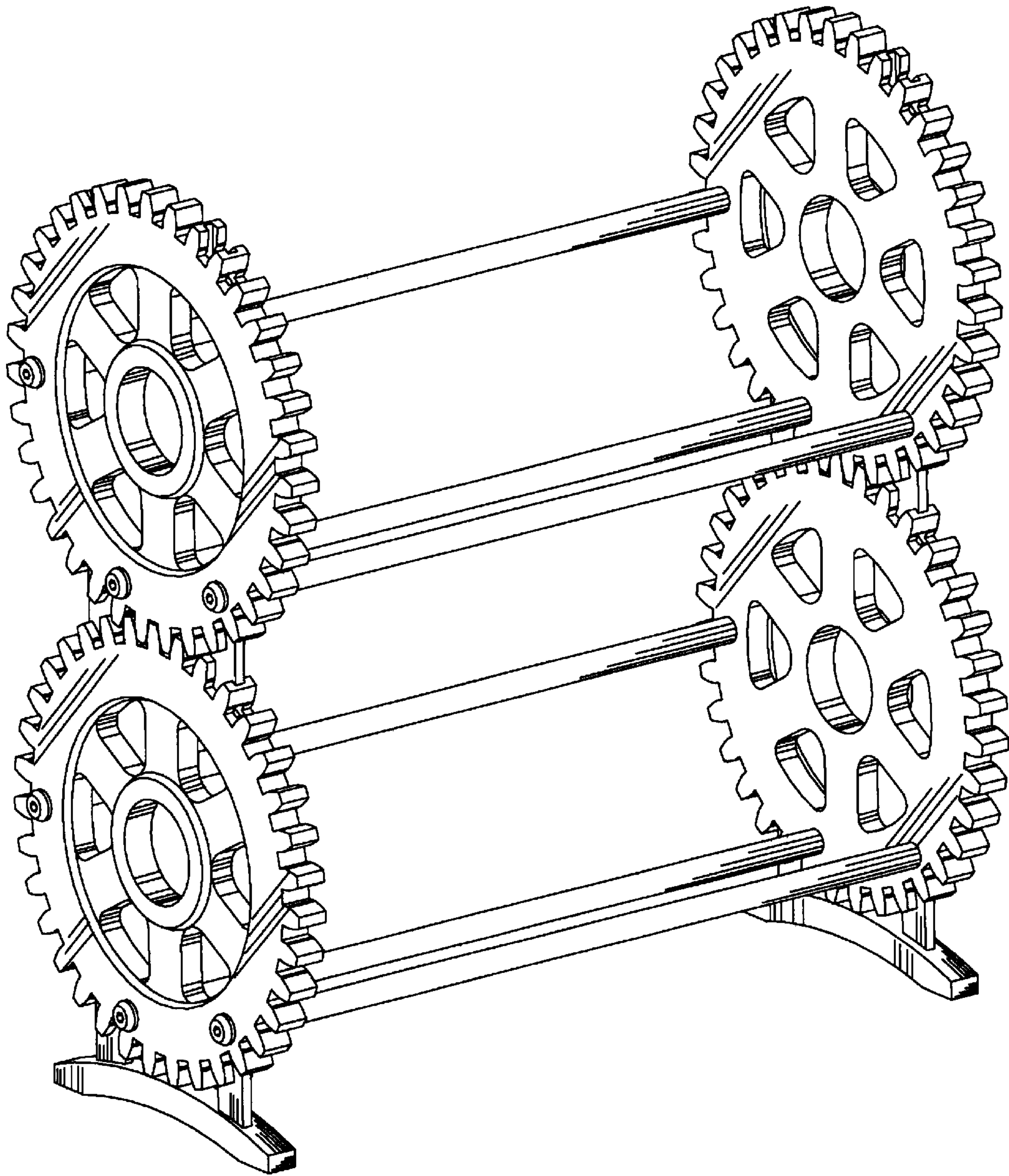


FIG 8

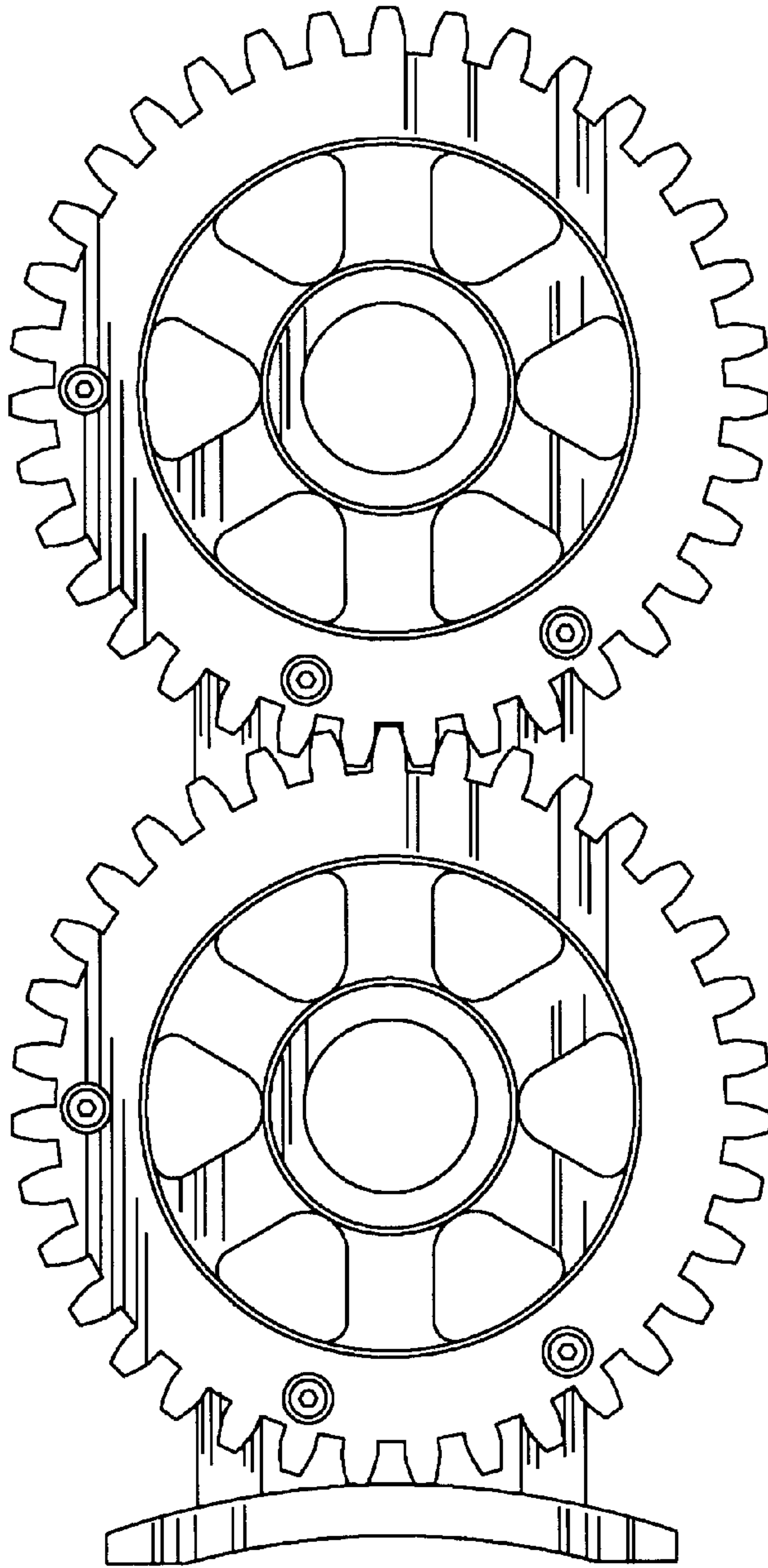


FIG 9

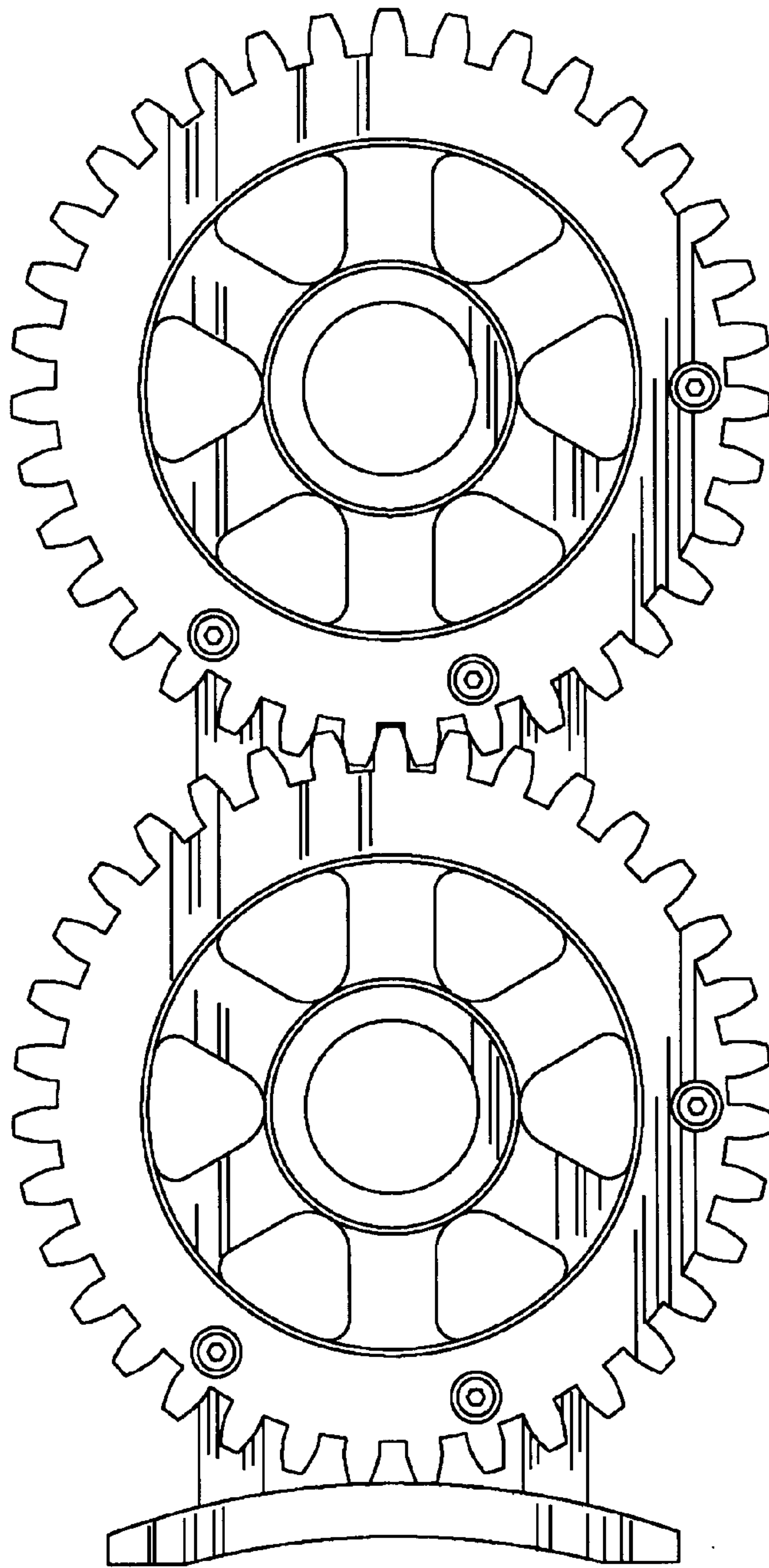


FIG 10

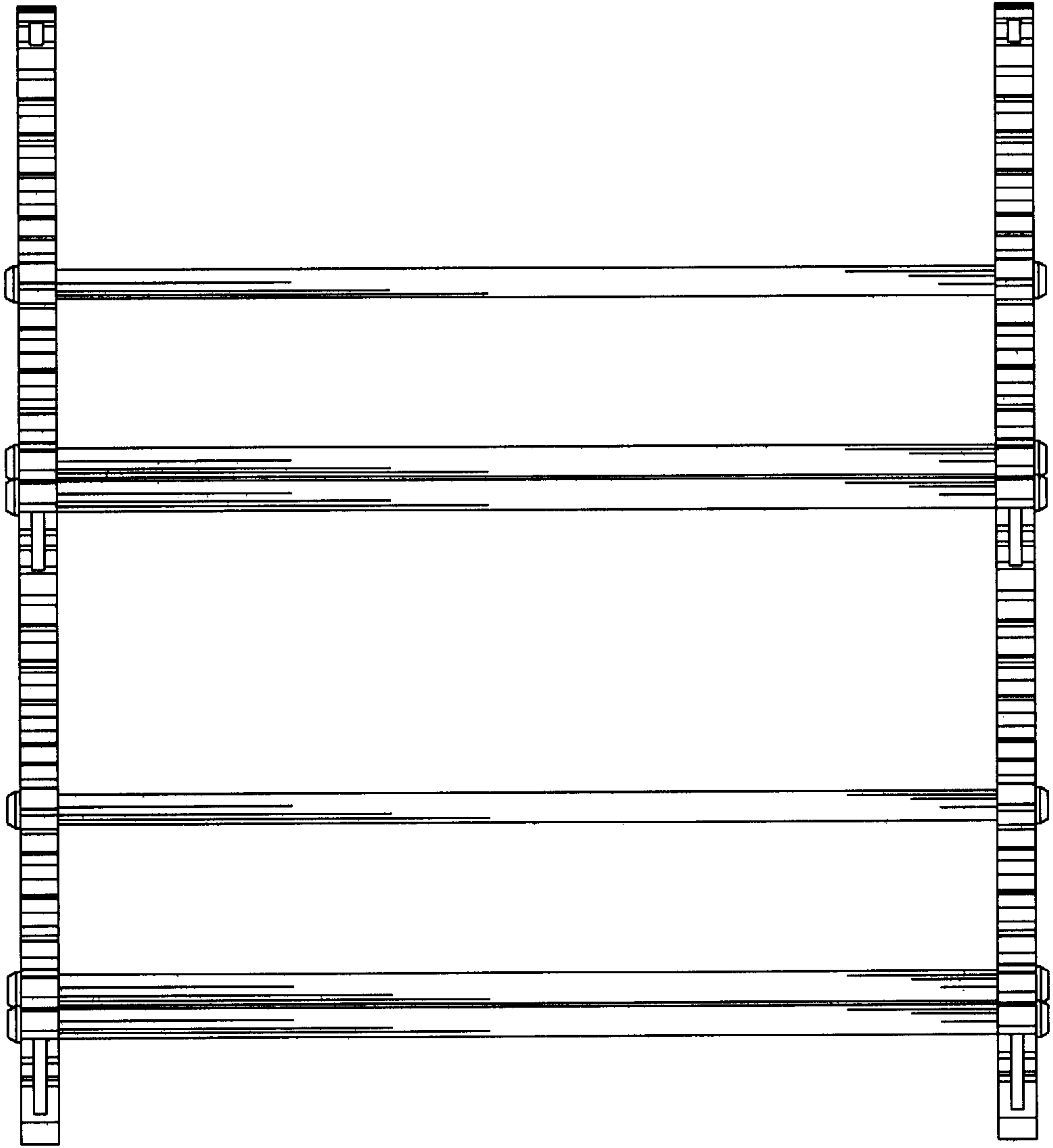


FIG 11

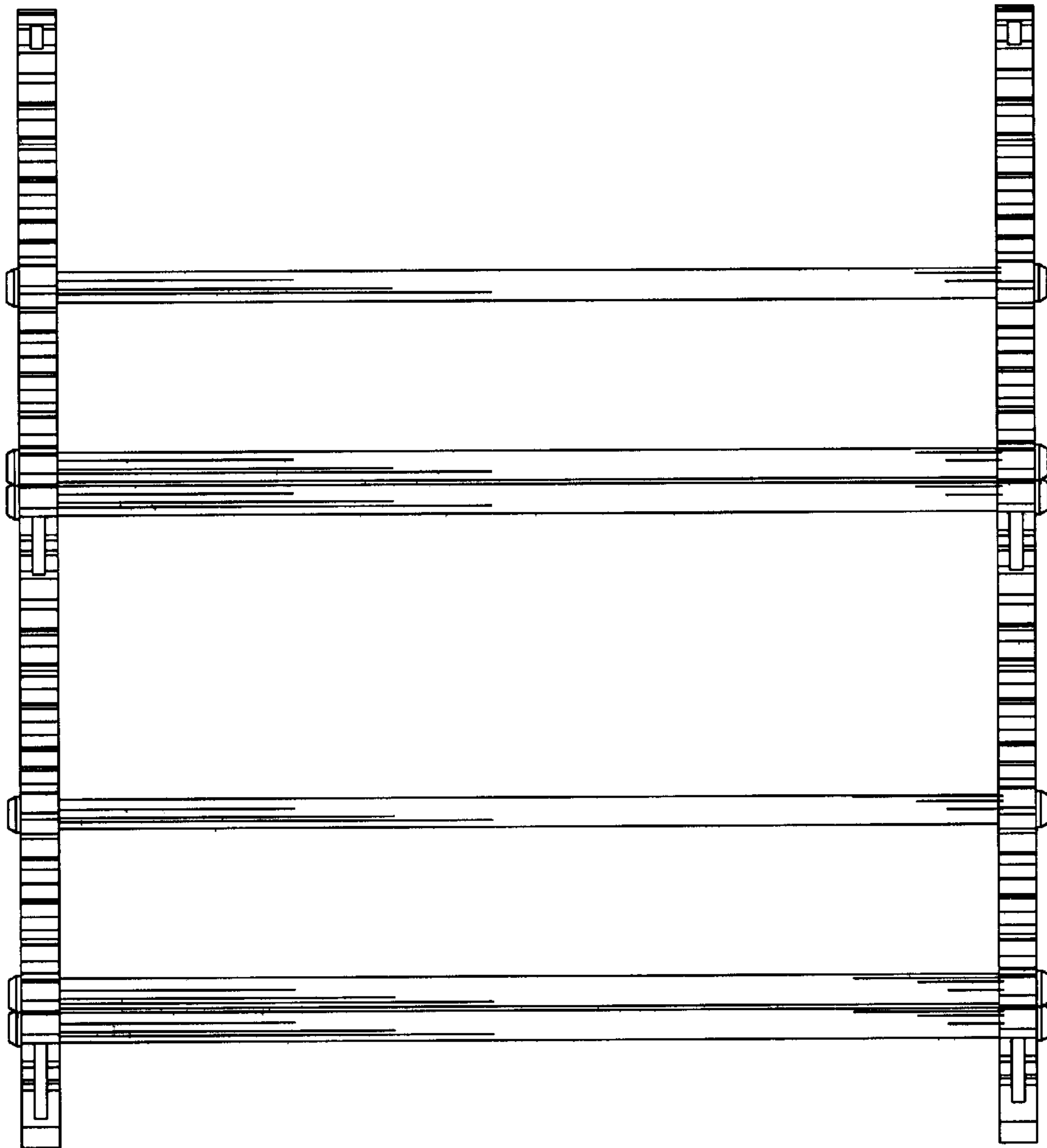


FIG 12

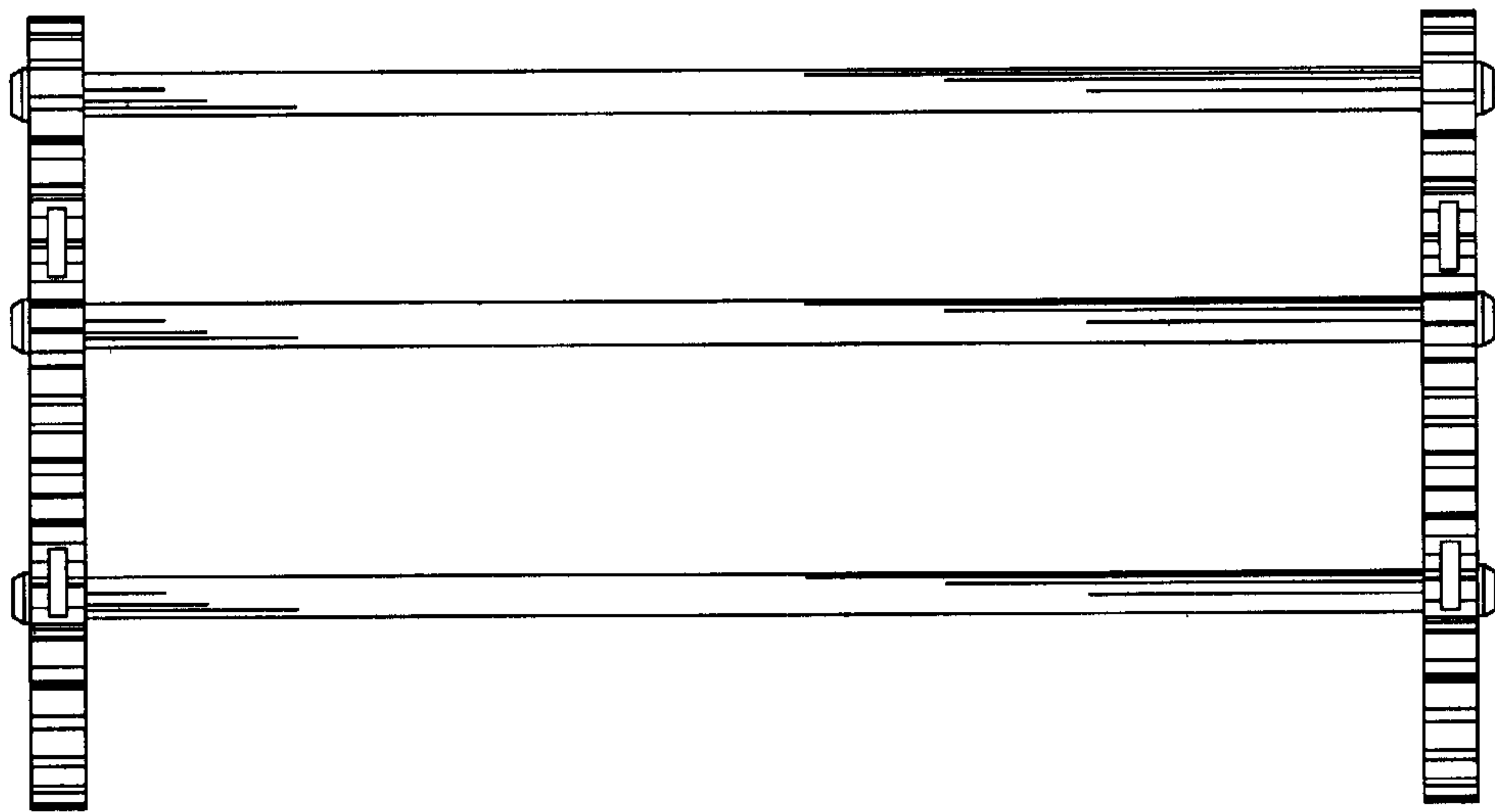


FIG 13

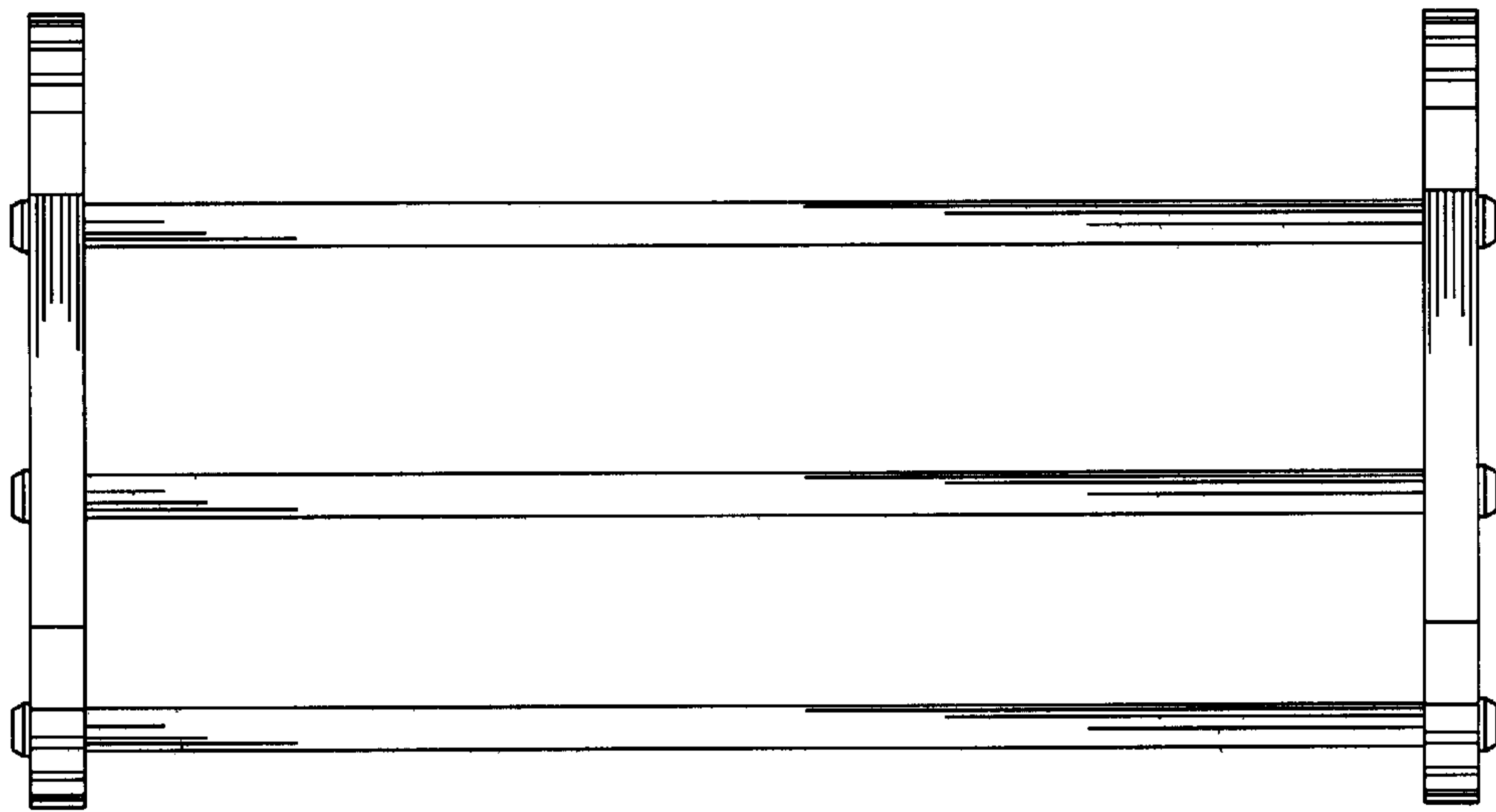


FIG 14