



US00D479921S

(12) **United States Design Patent**
Nguyen

(10) **Patent No.:** **US D479,921 S**

(45) **Date of Patent:** **** Sep. 30, 2003**

(54) **PLANT AND FLOWER STAND**

(76) Inventor: **Covan Nguyen**, 3806 Polk Ave., San Diego, CA (US) 92105

(**) Term: **14 Years**

(21) Appl. No.: **29/165,517**

(22) Filed: **Aug. 13, 2002**

(51) **LOC (7) Cl.** **06-04**

(52) **U.S. Cl.** **D6/405**

(58) **Field of Search** D6/403, 404, 405, D6/458, 556; D11/143-155; 47/39, 41.01, 46, 47; 206/423; 248/27.8, 121, 175; 211/85.23, 85.31, 106; D7/704

(56) **References Cited**

U.S. PATENT DOCUMENTS

816,053 A * 3/1906 Wittbold 47/39
1,797,077 A * 3/1931 Dew et al. 211/85.23
D177,749 S * 5/1956 Oliver D6/405

D247,937 S * 5/1978 Dilyard D6/405
D345,871 S * 4/1994 Anderson D6/405
D426,399 S * 6/2000 Yi et al. D6/405
D439,072 S * 3/2001 Hendrikson D6/403
D446,402 S * 8/2001 Davies D6/403
D446,663 S * 8/2001 Thomas D6/404

* cited by examiner

Primary Examiner—Doris V. Coles
Assistant Examiner—Mimosa De

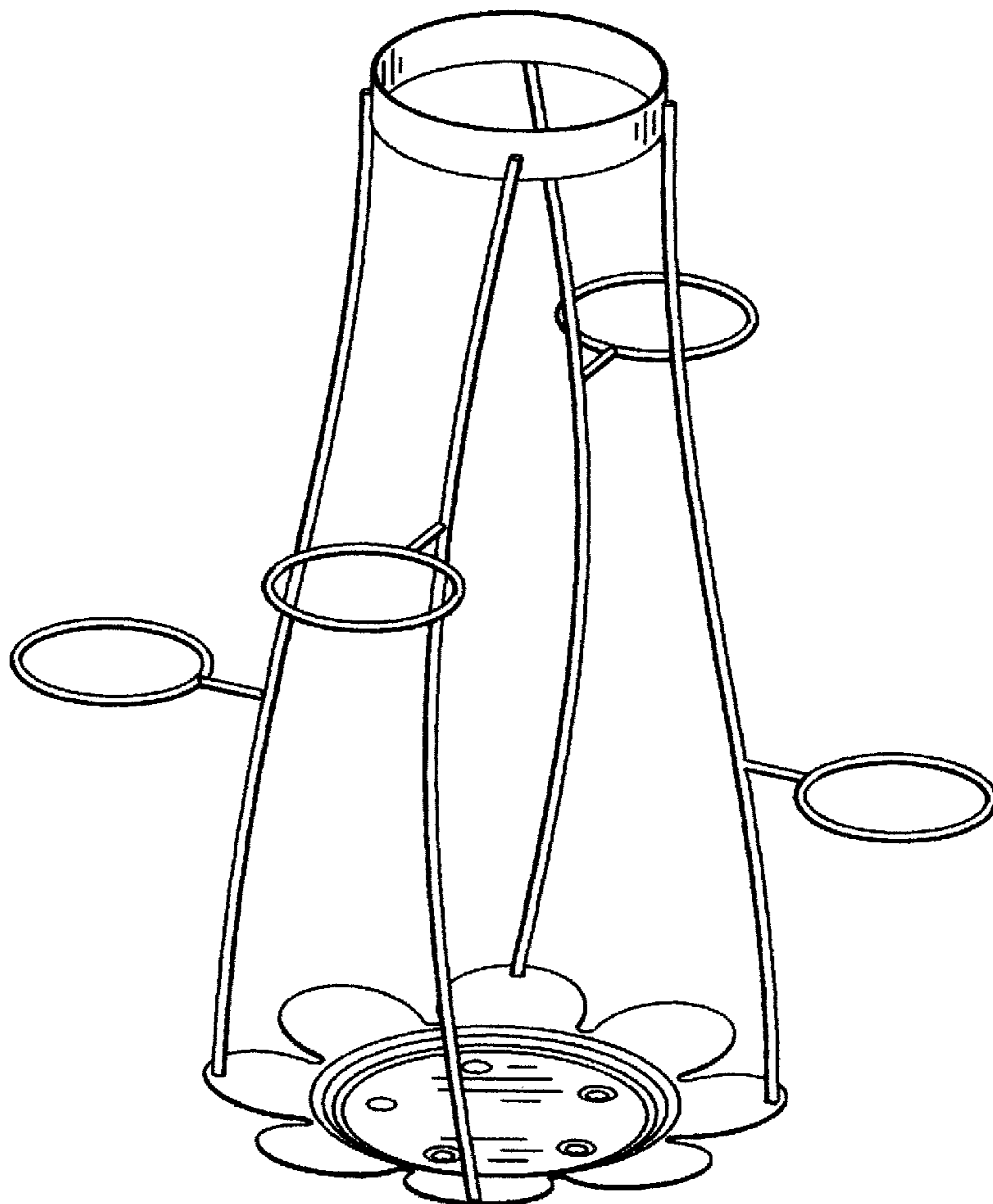
(57) **CLAIM**

The ornamental design for a plant and flower stand, as shown.

DESCRIPTION

FIG. 1 is a perspective view of a plant and flower stand showing my new design; FIG. 2 is a top plan view thereof; and, FIG. 3 is a front plan view thereof.

1 Claim, 2 Drawing Sheets



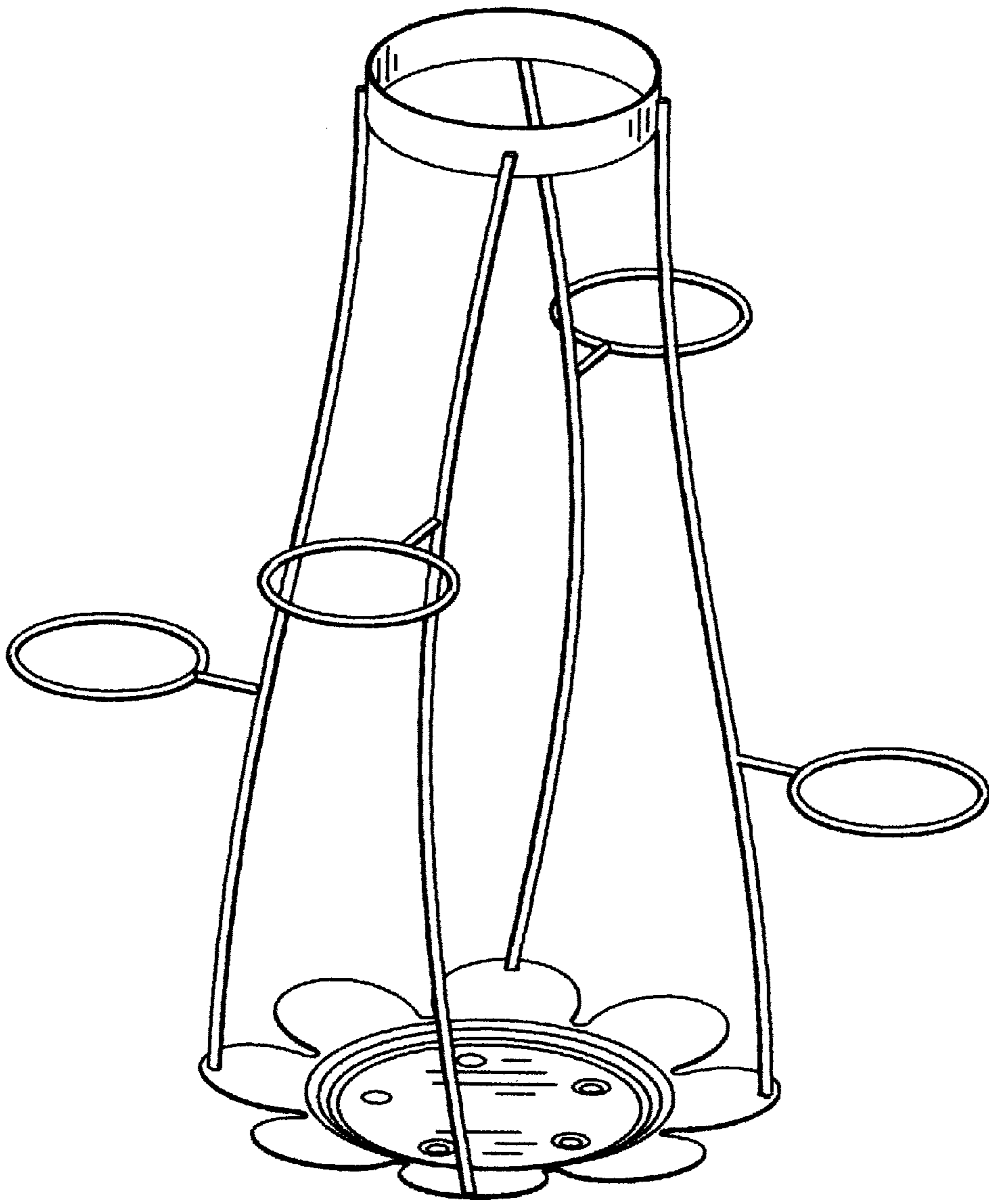


Fig. 1

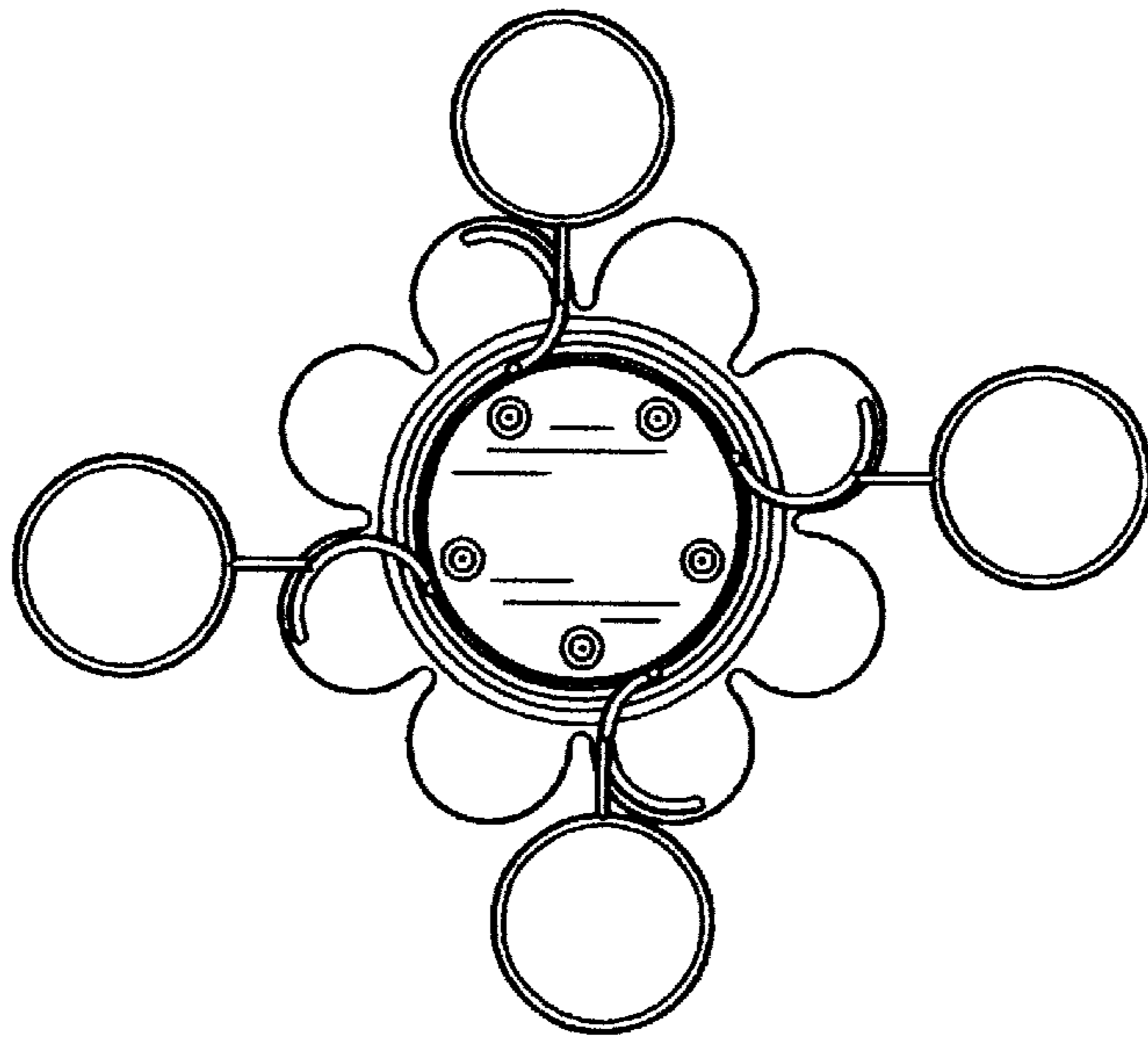


Fig. 2

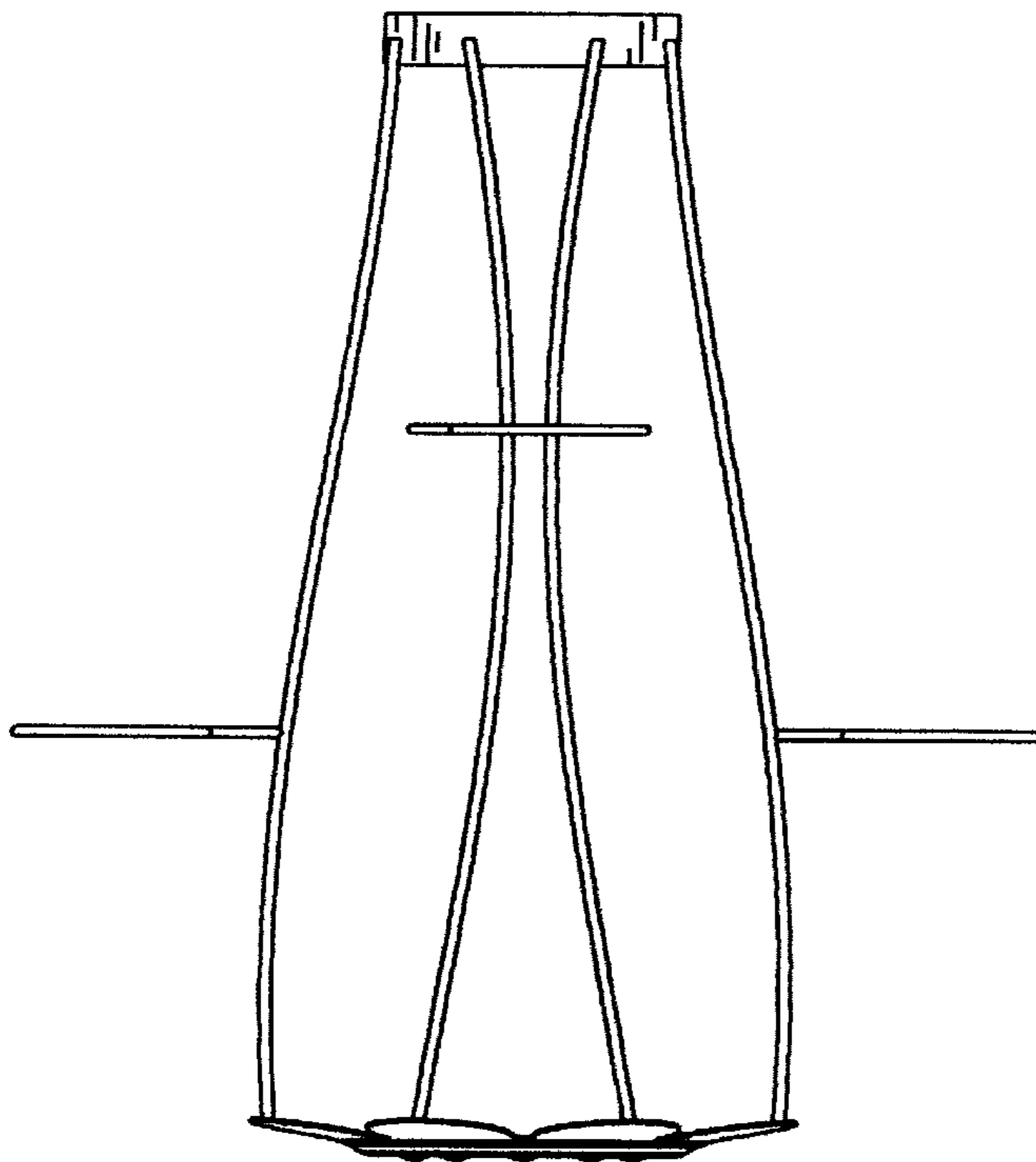


Fig. 3