



US00D479920S

(12) **United States Design Patent**
Ware et al.

(10) **Patent No.:** **US D479,920 S**

(45) **Date of Patent:** **** Sep. 30, 2003**

(54) **BENCH**

(75) Inventors: **Harold L. Ware**, 1435 Lakehurst, Ada, OK (US) 74820; **Dennis R. Beecham**, Lexington, TN (US)

(73) Assignee: **Harold L. Ware**, Ada, OK (US)

(**) Term: **14 Years**

(21) Appl. No.: **29/175,831**

(22) Filed: **Feb. 10, 2003**

(51) **LOC (7) Cl.** **06-01**

(52) **U.S. Cl.** **D6/344**

(58) **Field of Search** D6/334, 335, 344, D6/346, 347, 370, 381, 500-502; 297/273, 277, 232, 280, 281, 282, 287, 452.63, 244; 472/118, 125

(56) **References Cited**

U.S. PATENT DOCUMENTS

| | | | |
|---------------|---------|-----------------|------------|
| 1,157,458 A | 10/1915 | Thompson | |
| 1,241,951 A * | 10/1917 | Fremaux | 297/244 |
| D67,482 S * | 6/1925 | Wurdack | D6/347 |
| D80,736 S * | 3/1930 | Lehman | D6/347 |
| 1,766,840 A * | 6/1930 | Rose | 297/277 |
| D109,239 S * | 4/1938 | Wolpin | D6/370 |
| D149,900 S * | 6/1948 | Mock | D6/346 |
| 2,665,744 A | 1/1954 | Hodgson | |
| D174,900 S * | 6/1955 | Flexer et al. | D6/370 |
| 5,120,071 A * | 6/1992 | Thibault et al. | D6/370 |
| D328,821 S * | 8/1992 | Wooding et al. | D6/344 |
| 5,366,273 A * | 11/1994 | Bresch | 297/452.63 |

| | | | |
|--------------|---------|---------------|--------|
| D360,312 S * | 7/1995 | Lee | D6/335 |
| 5,749,623 A | 5/1998 | Mistry et al. | |
| D399,064 S * | 10/1998 | Noll | D6/344 |
| D399,071 S * | 10/1998 | Noll | D6/370 |

* cited by examiner

Primary Examiner—Doris V. Coles

Assistant Examiner—Mimosa De

(74) *Attorney, Agent, or Firm*—Dunlap, Coddling & Rogers, P.C.

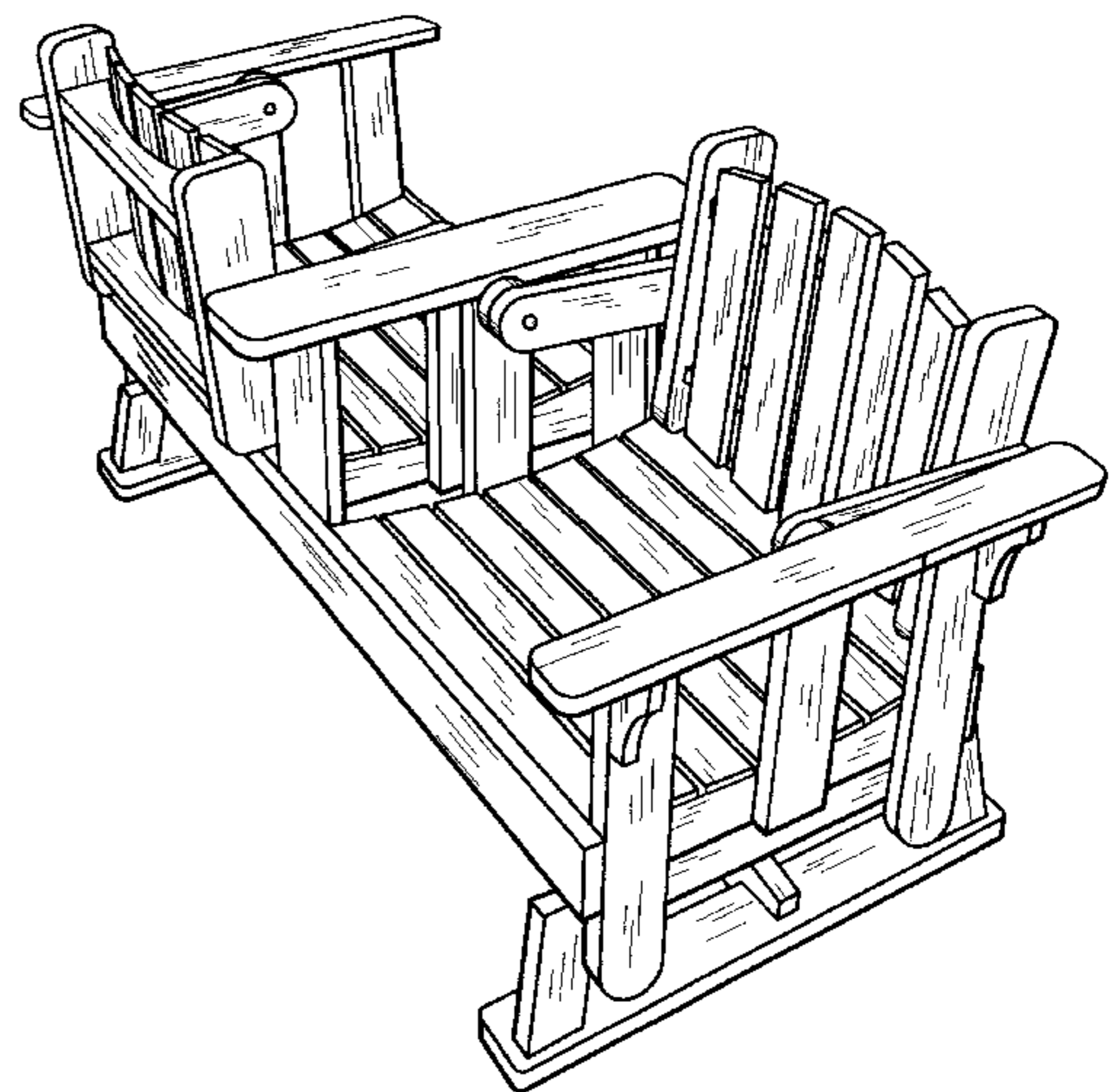
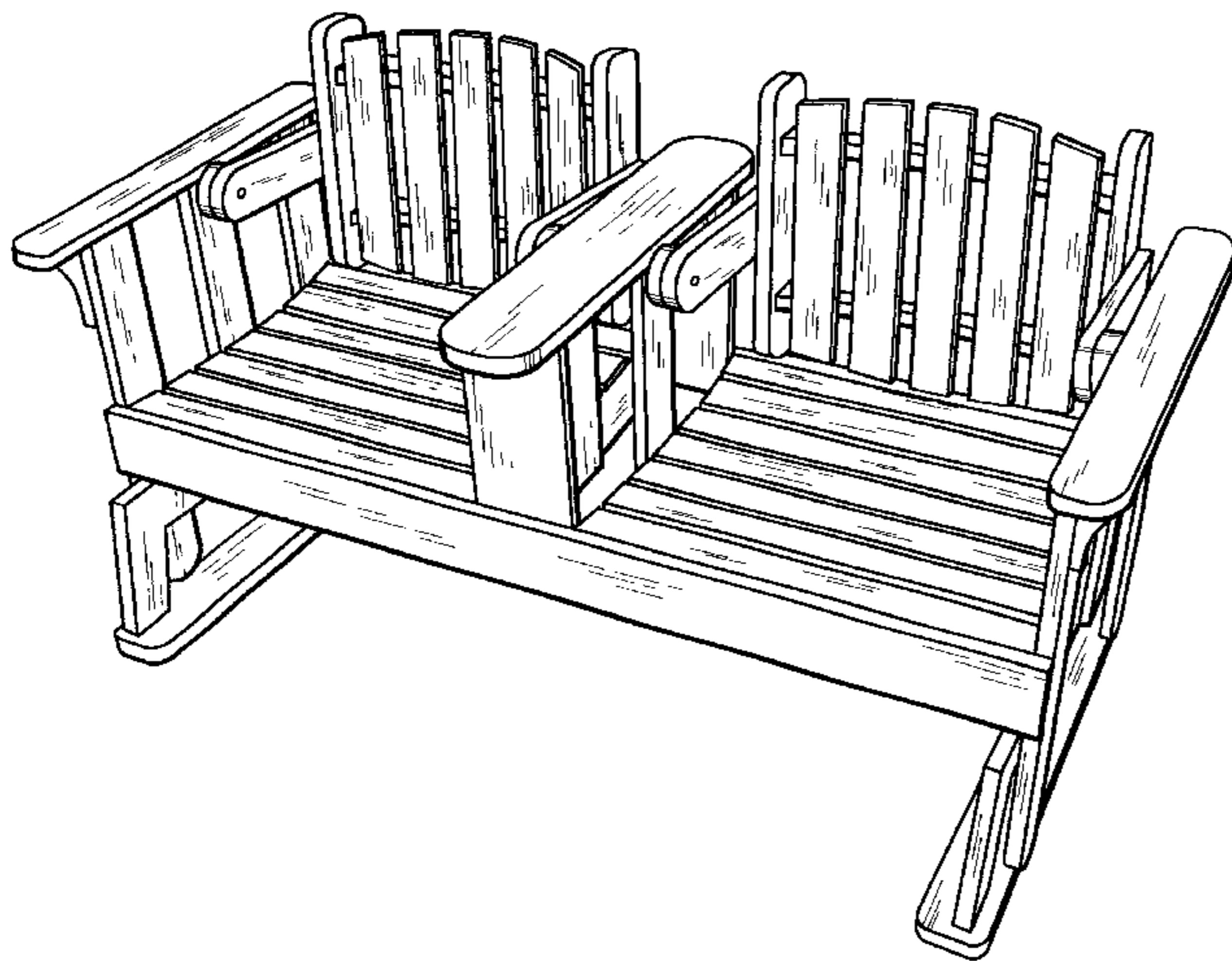
(57) **CLAIM**

The ornamental design for a bench, as shown and described.

DESCRIPTION

FIG. 1 is a perspective view of a first embodiment of a bench showing our new design;
 FIG. 2 is a front elevational view thereof;
 FIG. 3 is a rear elevational view thereof;
 FIG. 4 is a top plan view thereof;
 FIG. 5 is a bottom plan view thereof;
 FIG. 6 is an elevational view of one side thereof, the second side being a mirror image thereof;
 FIG. 7 is a perspective view of a second embodiment wherein one back support assembly of the bench has been rotated to be in a facing relationship with the other back support assembly;
 FIG. 8 is a front elevational view of the bench of FIG. 7;
 FIG. 9 is a top plan view thereof;
 FIG. 10 is a bottom plan view thereof;
 FIG. 11 is a side elevational view of one side thereof, the opposite side being a mirror image thereof.

1 Claim, 6 Drawing Sheets



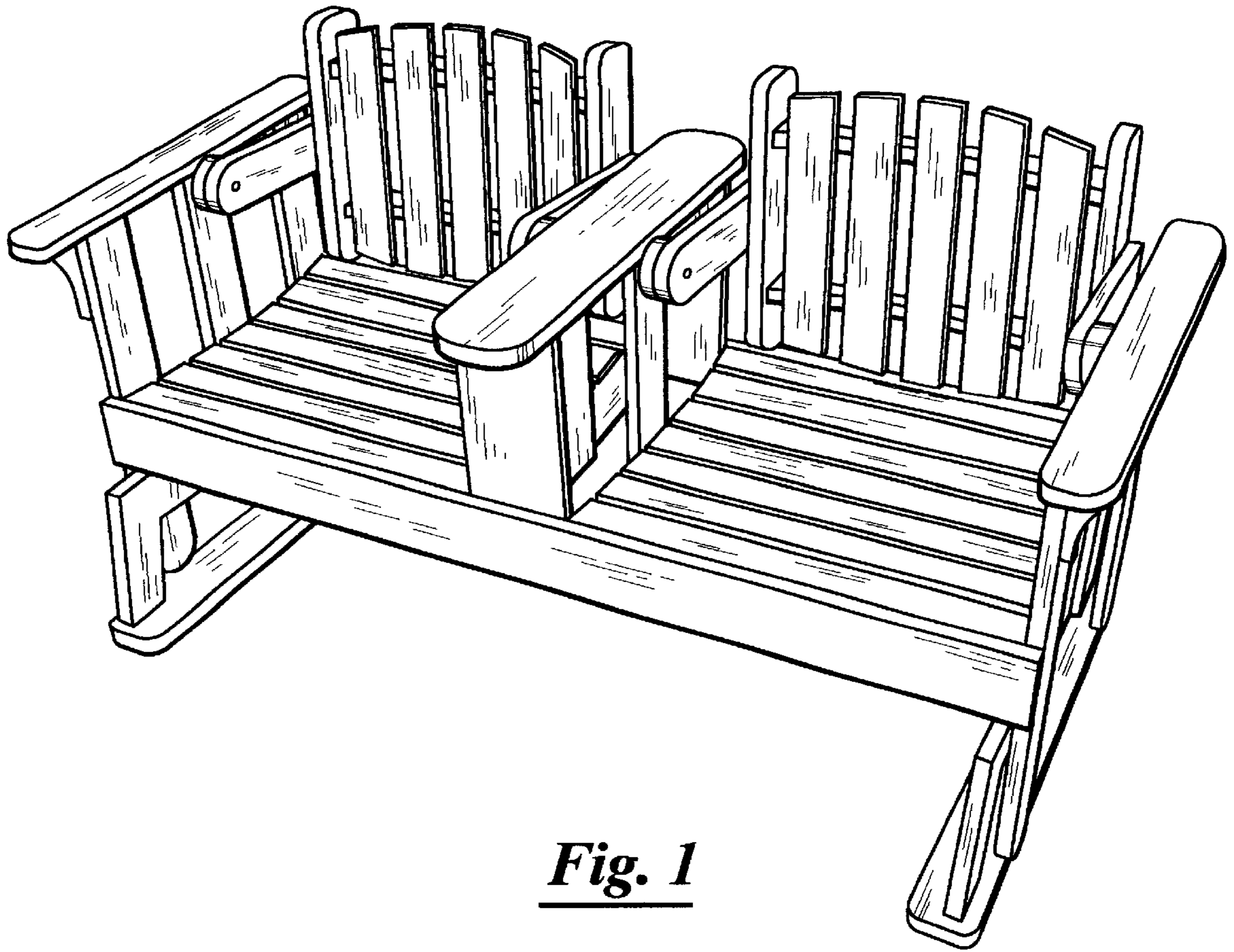


Fig. 1

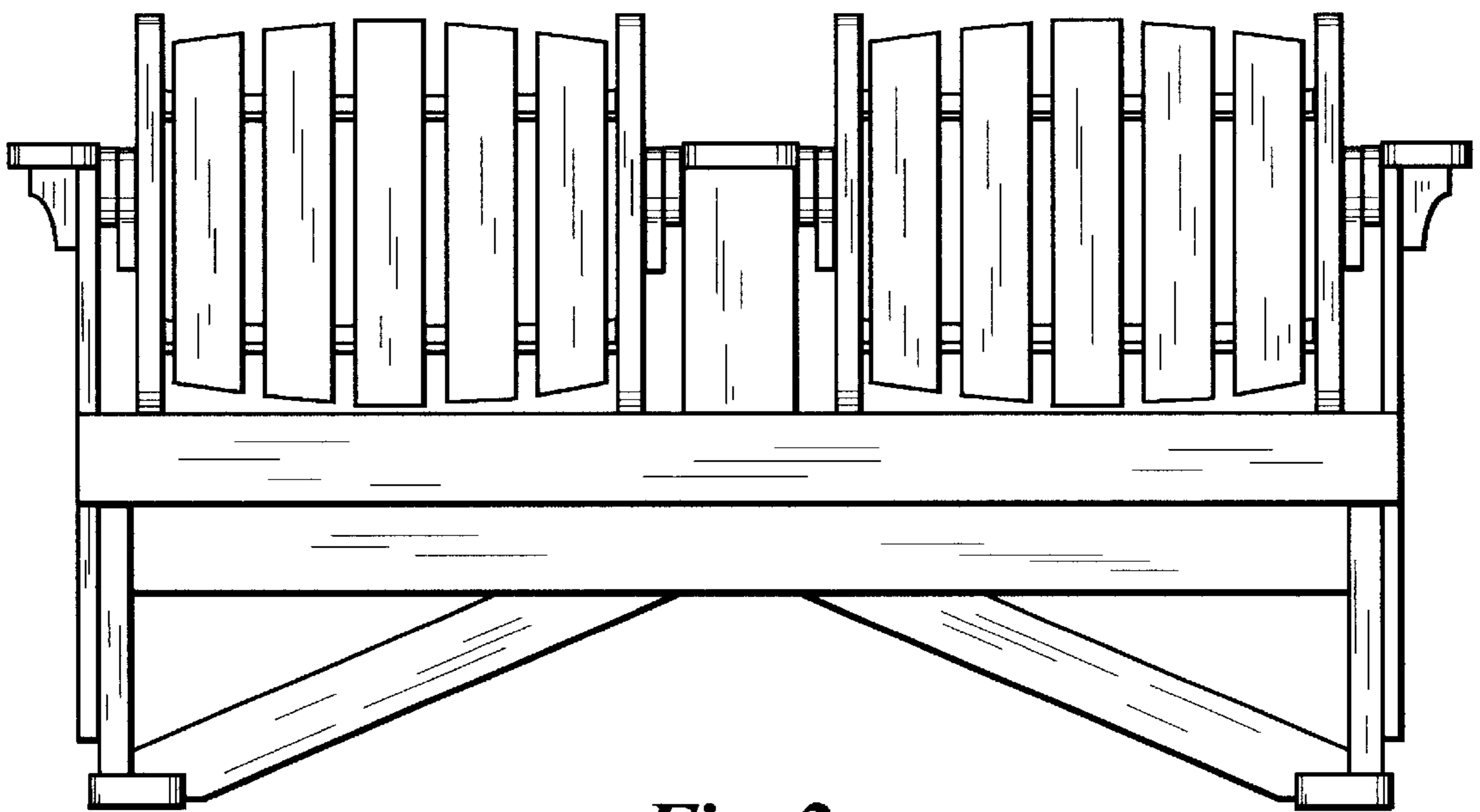


Fig. 2

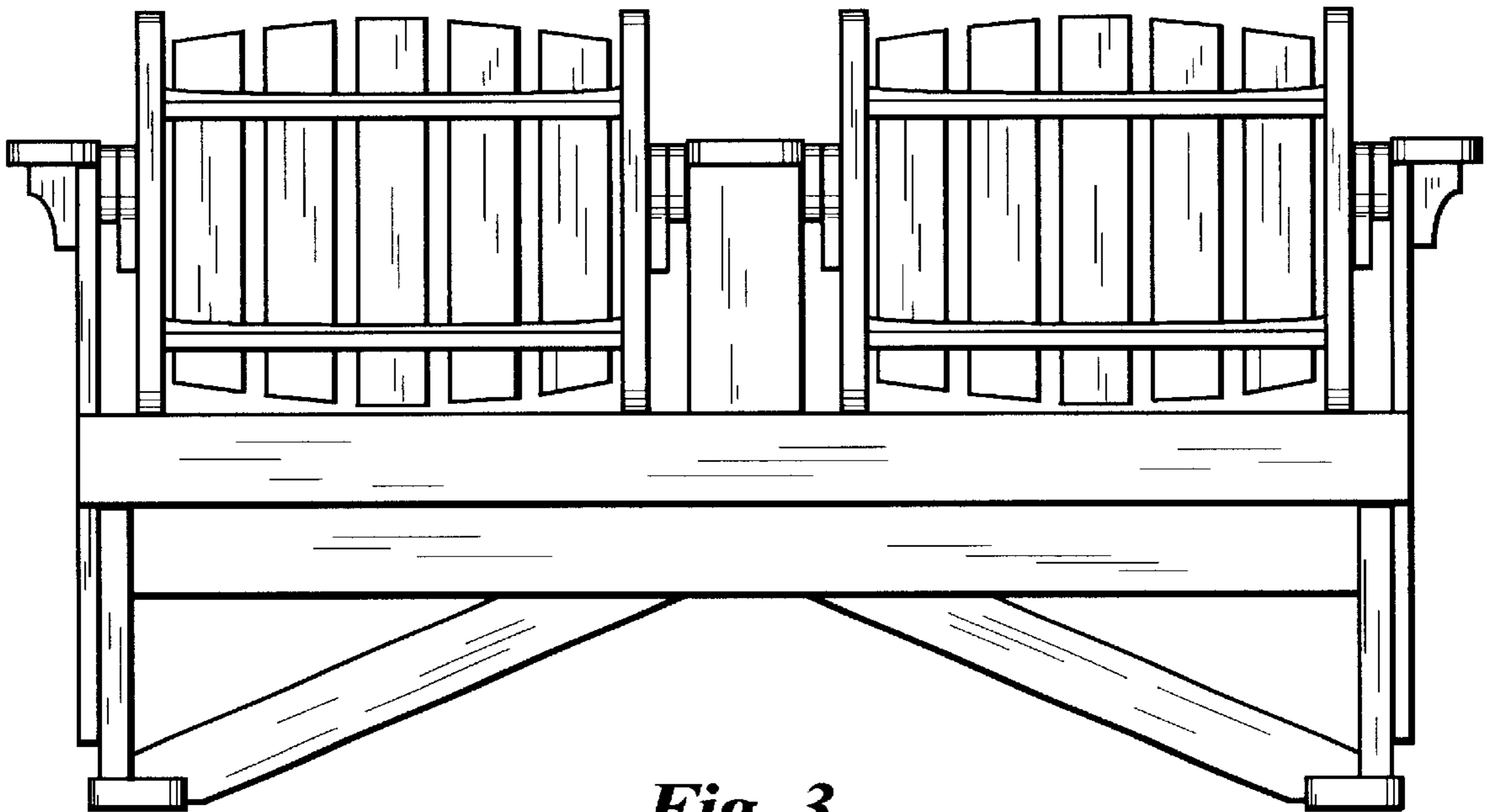


Fig. 3

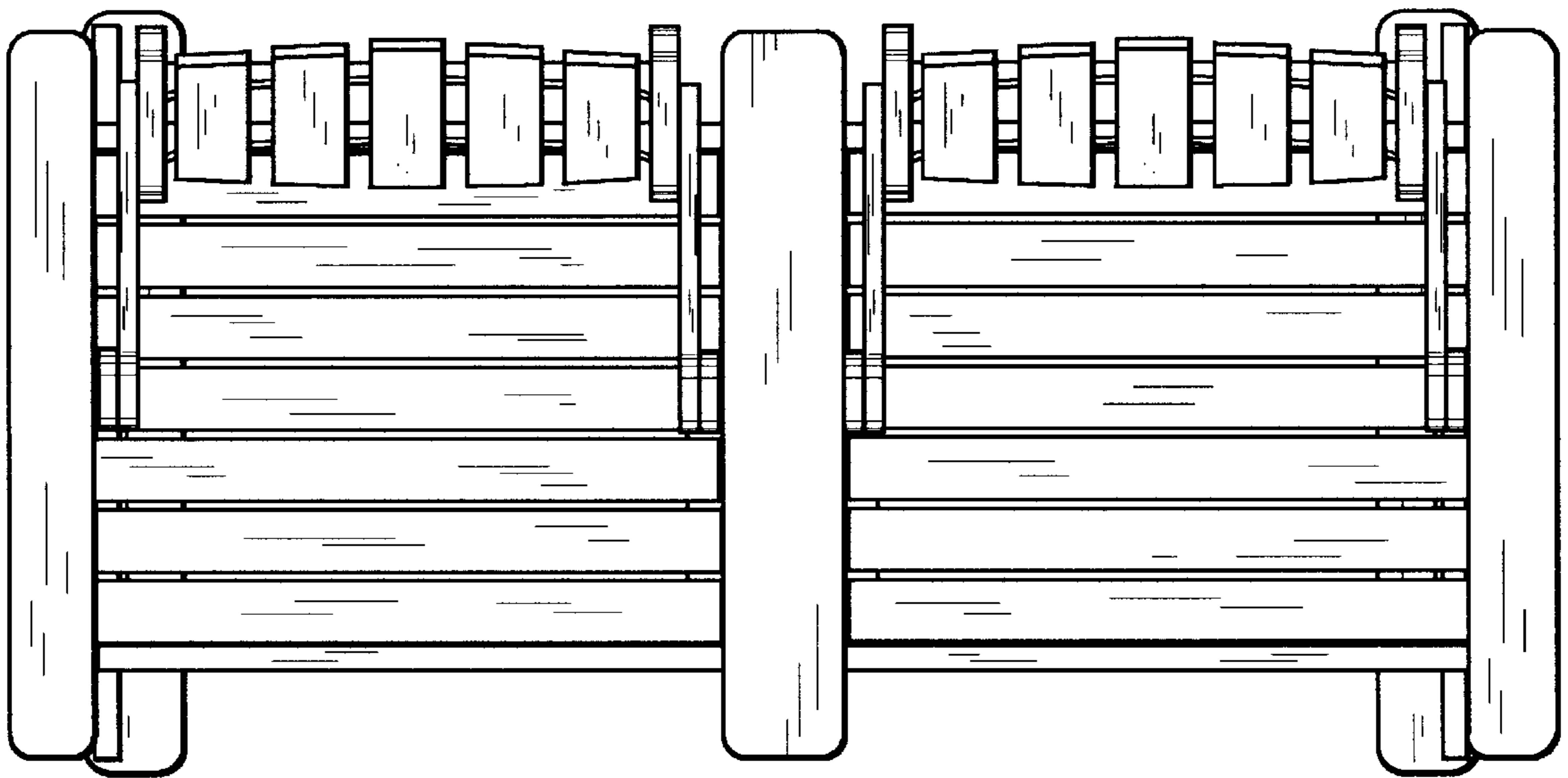


Fig. 4

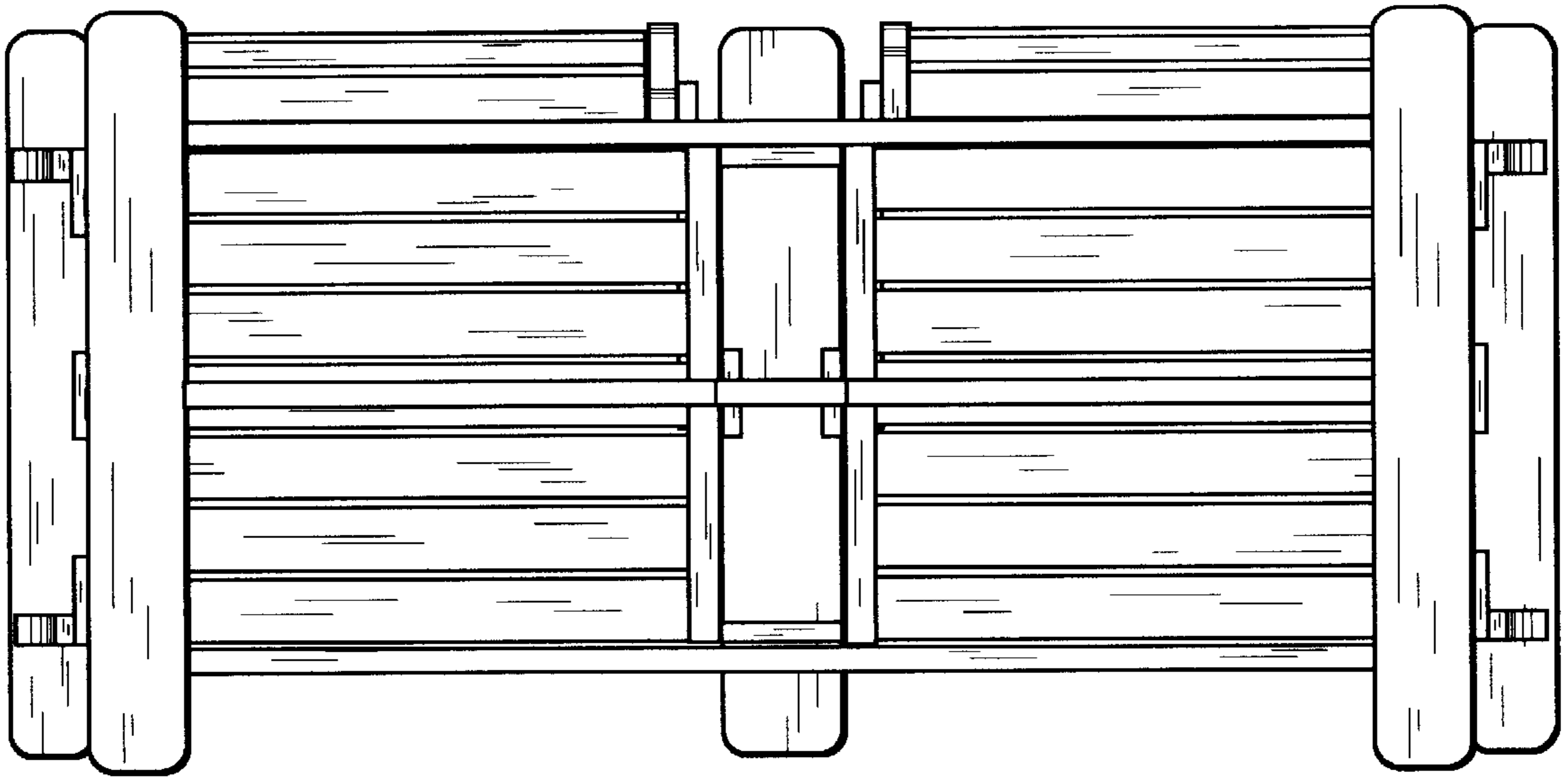


Fig. 5

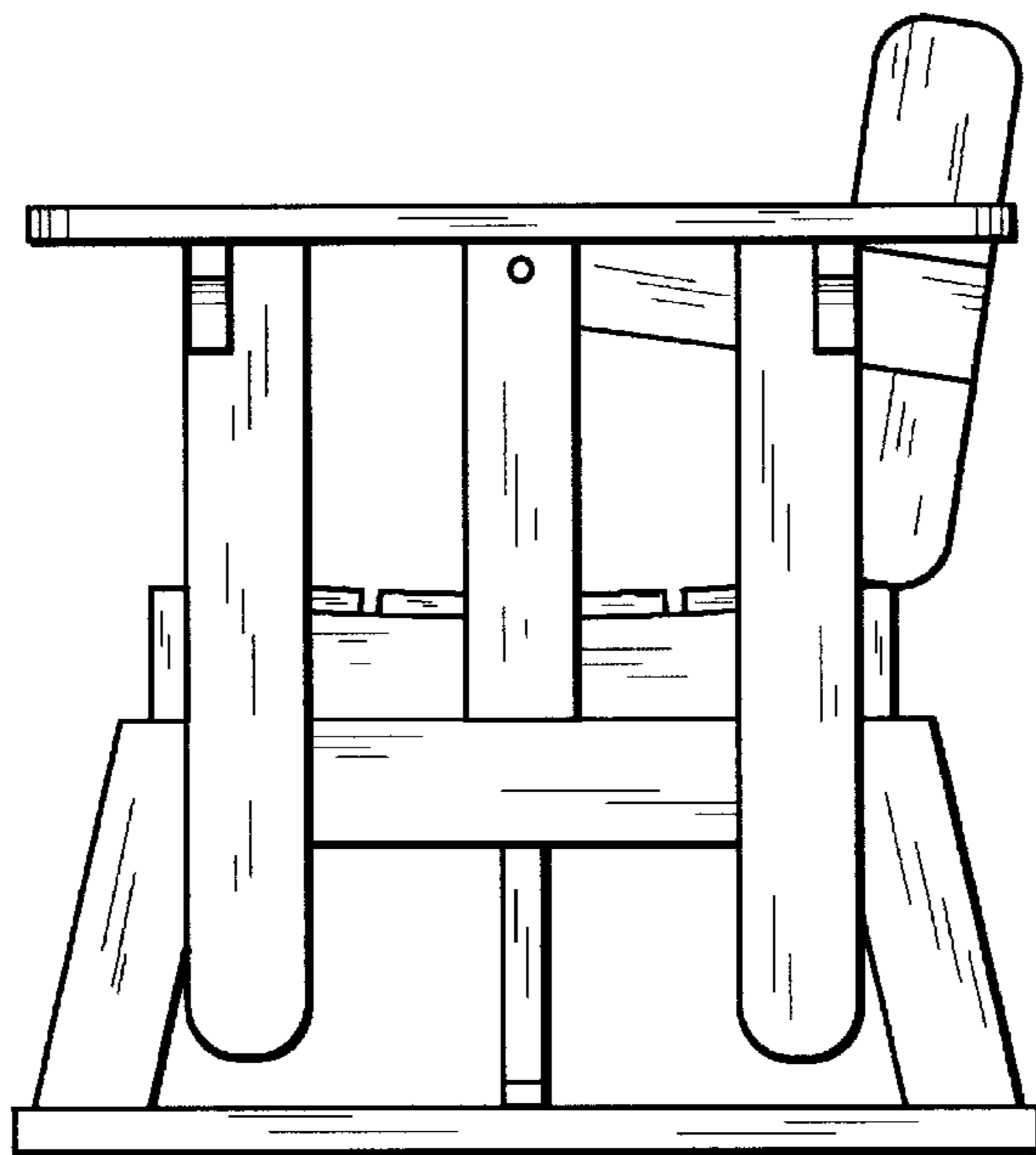


Fig. 6

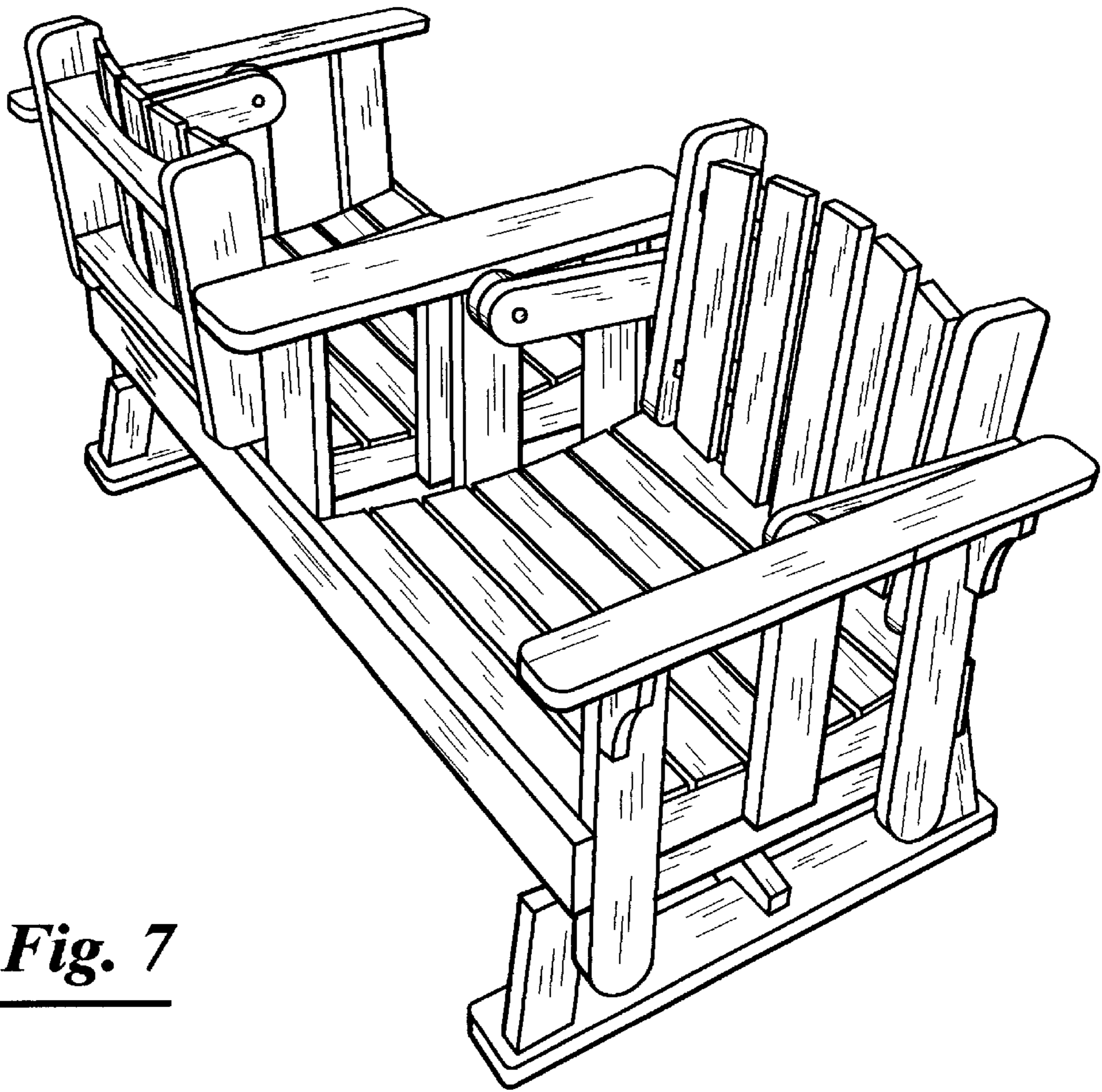


Fig. 7

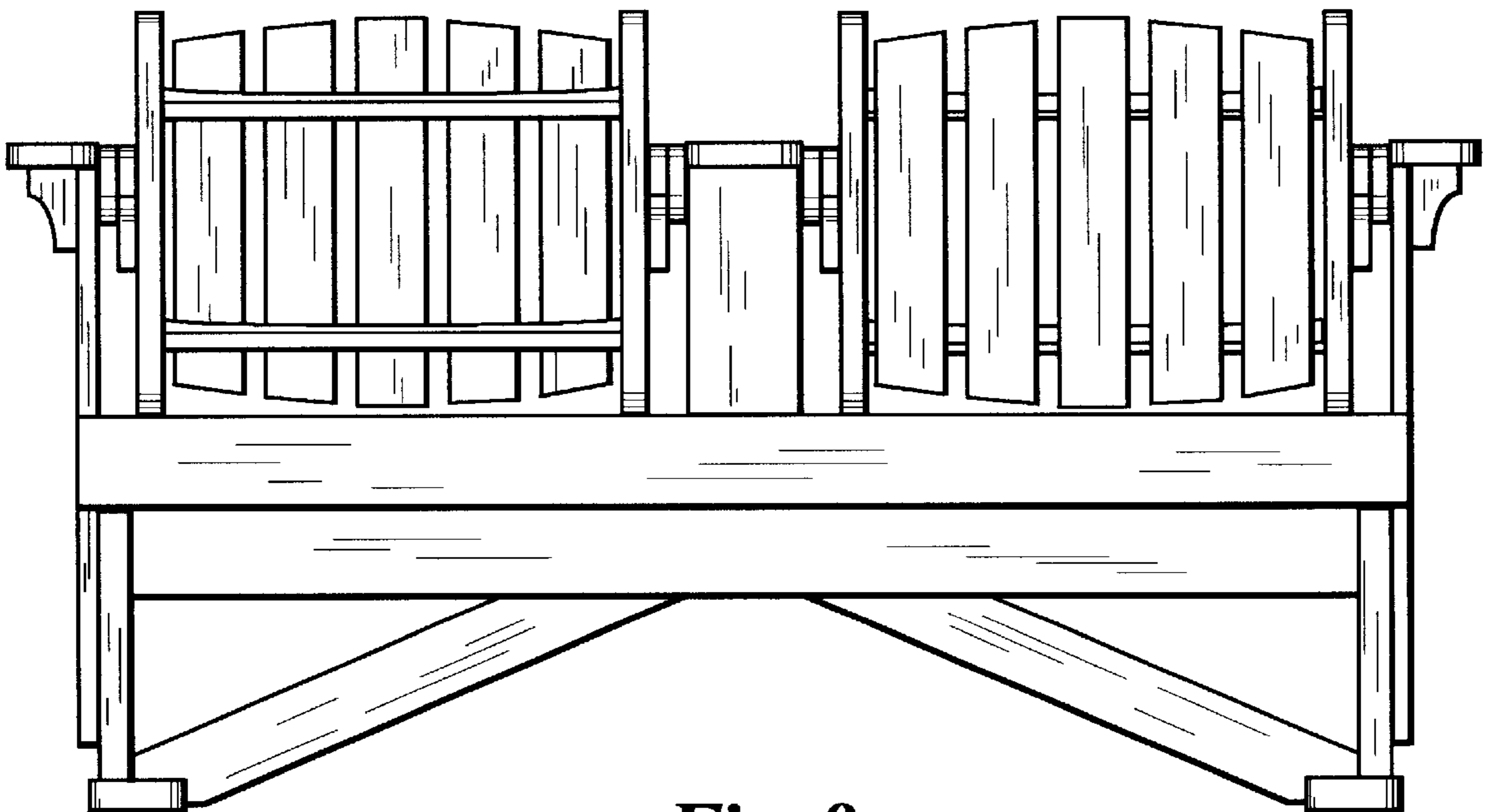


Fig. 8

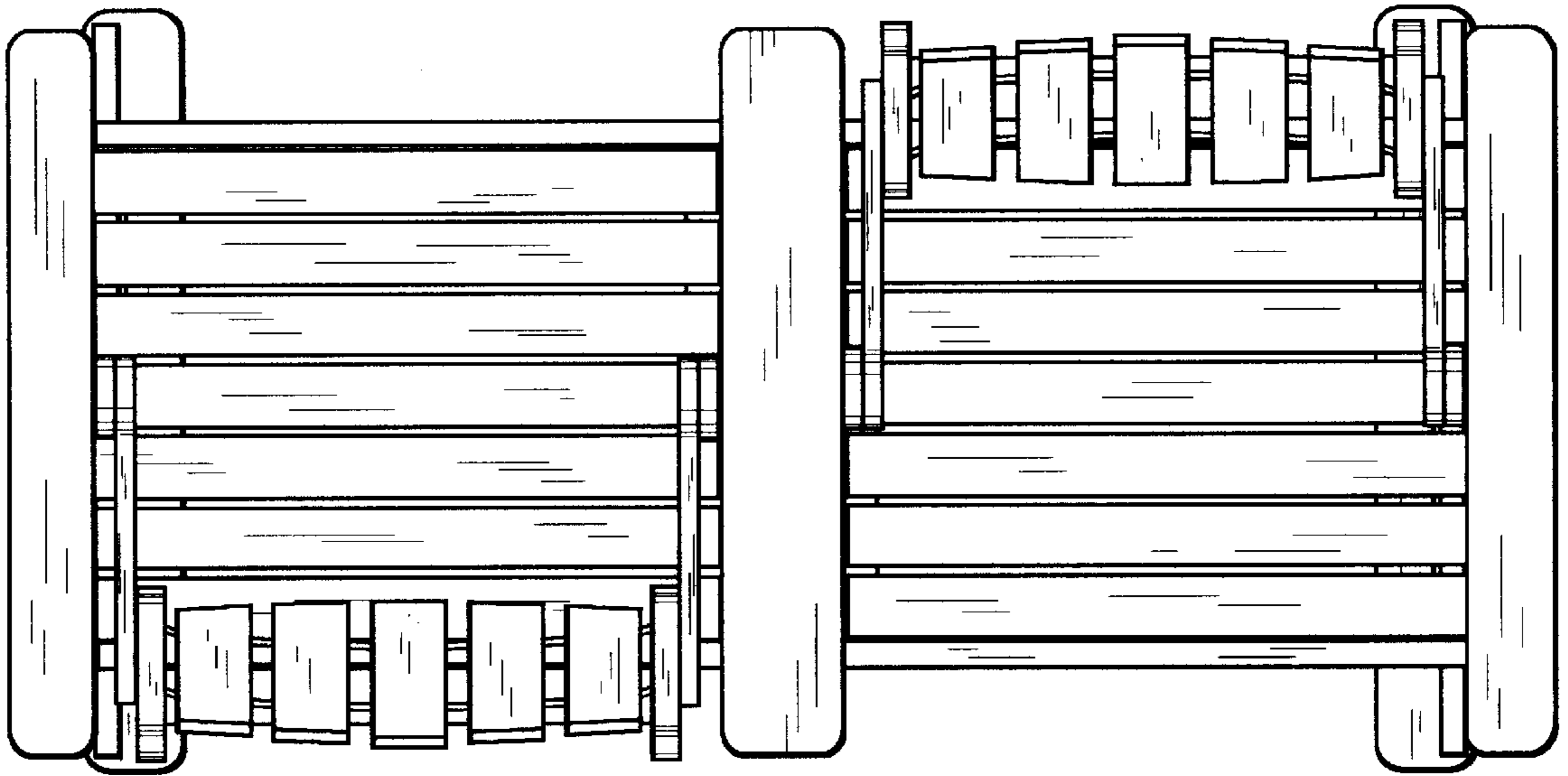


Fig. 9

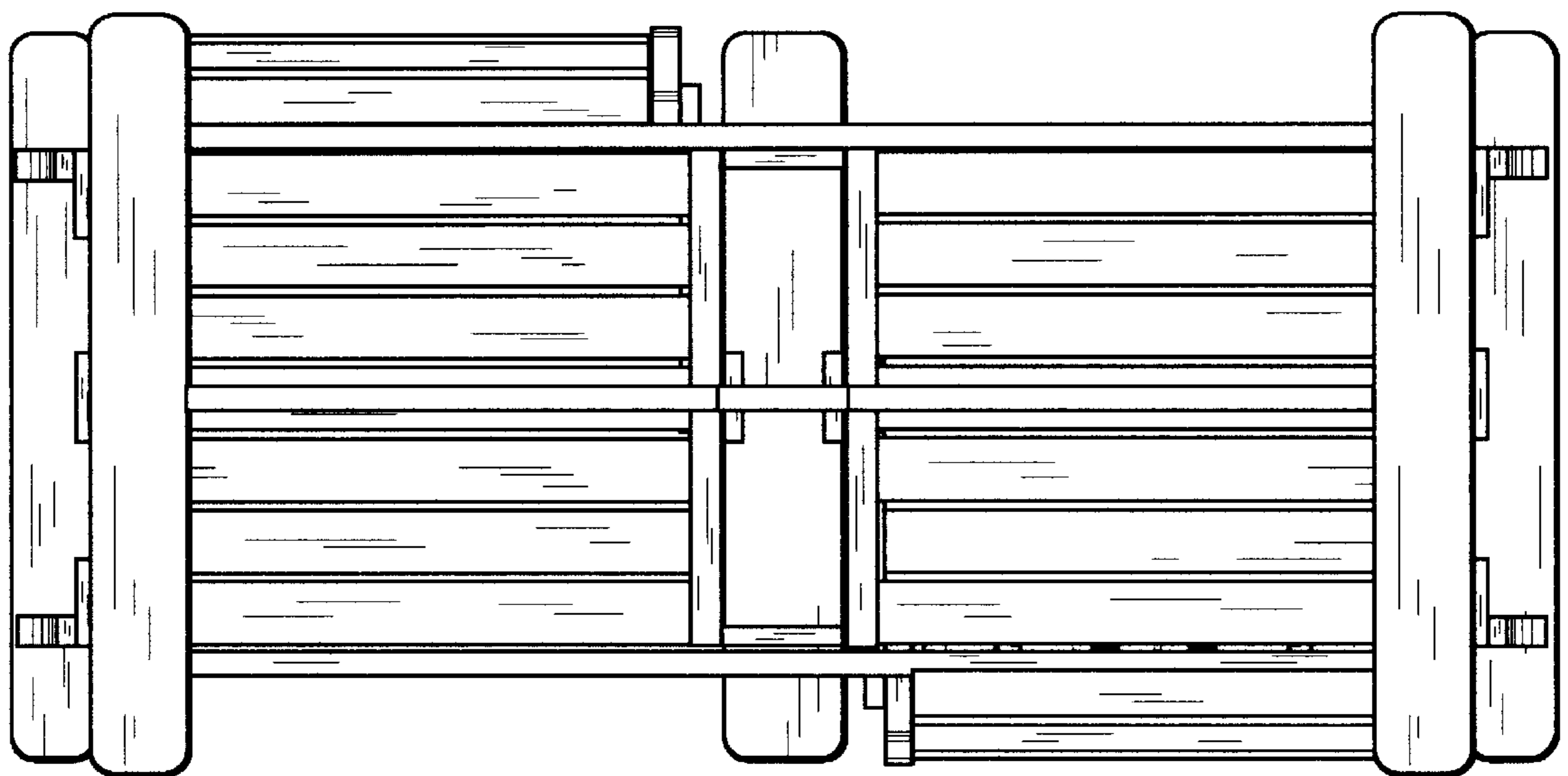


Fig. 10

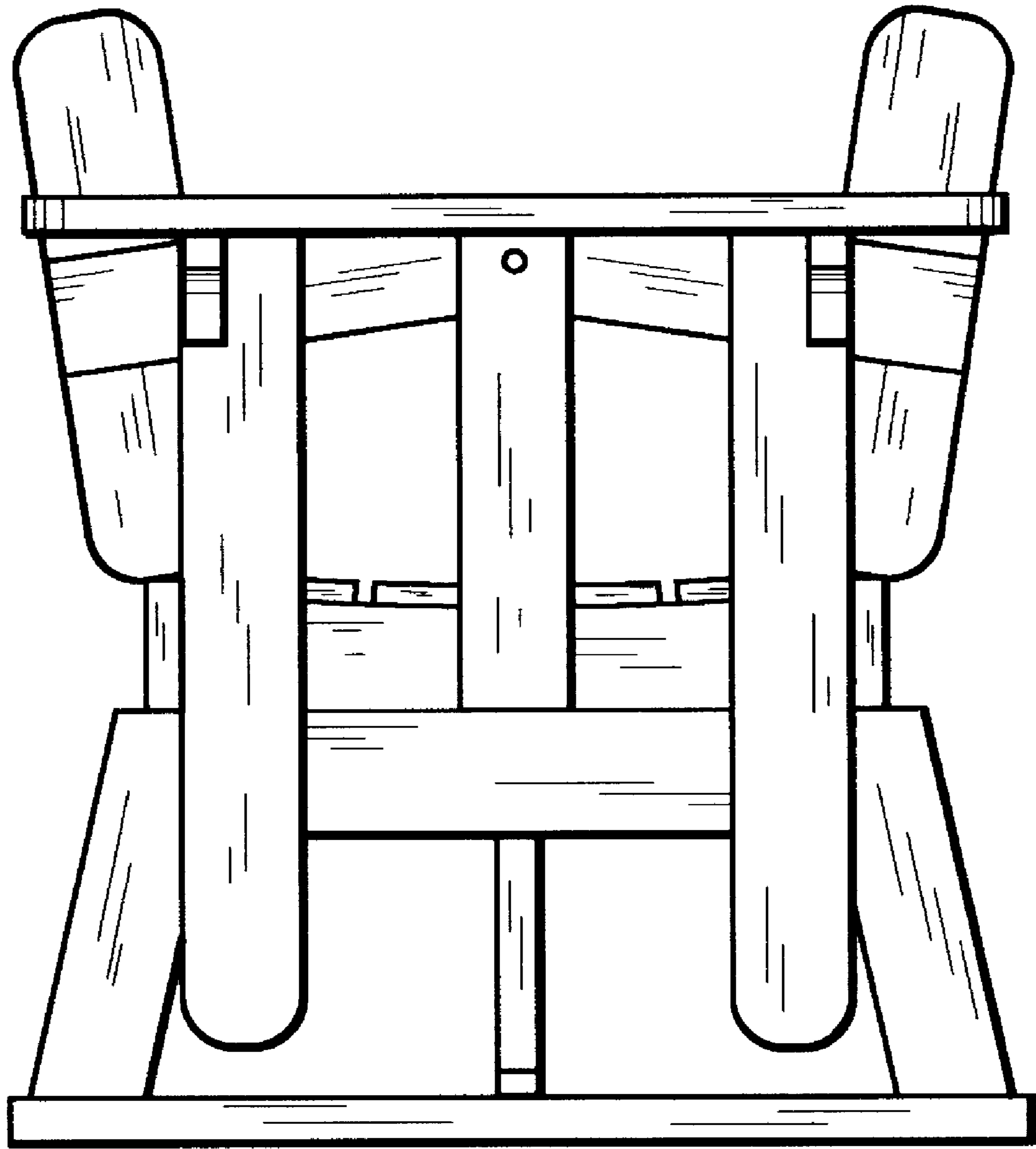


Fig. 11