



US00D479919S

(12) **United States Design Patent**  
**Genelli et al.**

(10) **Patent No.:** **US D479,919 S**

(45) **Date of Patent:** **\*\* Sep. 30, 2003**

(54) **PEDICURE CHAIR**

(75) Inventors: **Silvio Genelli**, Azzanello (IT); **Philippe Hennesy**, Ormond Beach, FL (US)

(73) Assignee: **Cosmopro, INC**, Daytona Beach, FL (US)

(\*\*) Term: **14 Years**

(21) Appl. No.: **29/172,301**

(22) Filed: **Dec. 10, 2002**

**Related U.S. Application Data**

(63) Continuation of application No. 29/164,849, filed on Aug. 1, 2002, now abandoned.

(51) **LOC (7) Cl.** ..... **06-01**

(52) **U.S. Cl.** ..... **D6/336**

(58) **Field of Search** ..... D6/334, 335, 336,  
D6/360, 361, 367, 500-502; D28/56, 61;  
4/574.1, 622; 297/182, 188.01, 188.09,  
310

(56) **References Cited**

**U.S. PATENT DOCUMENTS**

|             |          |                   |        |
|-------------|----------|-------------------|--------|
| 233,304 A   | 10/1880  | Ward              |        |
| 1,021,346 A | * 3/1912 | Wilsons           | 4/622  |
| 1,060,236 A | 4/1913   | Dodge             |        |
| D94,081 S   | 12/1934  | Fullmer           |        |
| D242,292 S  | 11/1976  | Miller et al.     |        |
| D288,729 S  | 3/1987   | Meyerovich et al. | D28/61 |

|            |          |                    |        |
|------------|----------|--------------------|--------|
| D303,162 S | 8/1989   | Meyerovich et al.  | D28/61 |
| D412,600 S | 8/1999   | Oh et al.          | D28/56 |
| D424,819 S | * 5/2000 | Galati et al.      | D6/336 |
| D429,379 S | * 8/2000 | Kim                | D28/56 |
| D429,380 S | 8/2000   | Fontier et al.     | D28/56 |
| D434,916 S | 12/2000  | Galati, Jr. et al. | D6/336 |
| D435,937 S | 1/2001   | Back et al.        | D28/61 |
| D454,705 S | 3/2002   | Long et al.        | D6/336 |
| D455,017 S | 4/2002   | Tran               | D6/336 |
| D455,566 S | 4/2002   | Park               | D6/336 |
| D456,154 S | 4/2002   | Huyn et al.        | D6/336 |

\* cited by examiner

*Primary Examiner*—Robert M. Spear

*Assistant Examiner*—Mimosa De

(74) *Attorney, Agent, or Firm*—Allen, Dyer, Doppelt, Milbrath & Gilchrist, P.A.

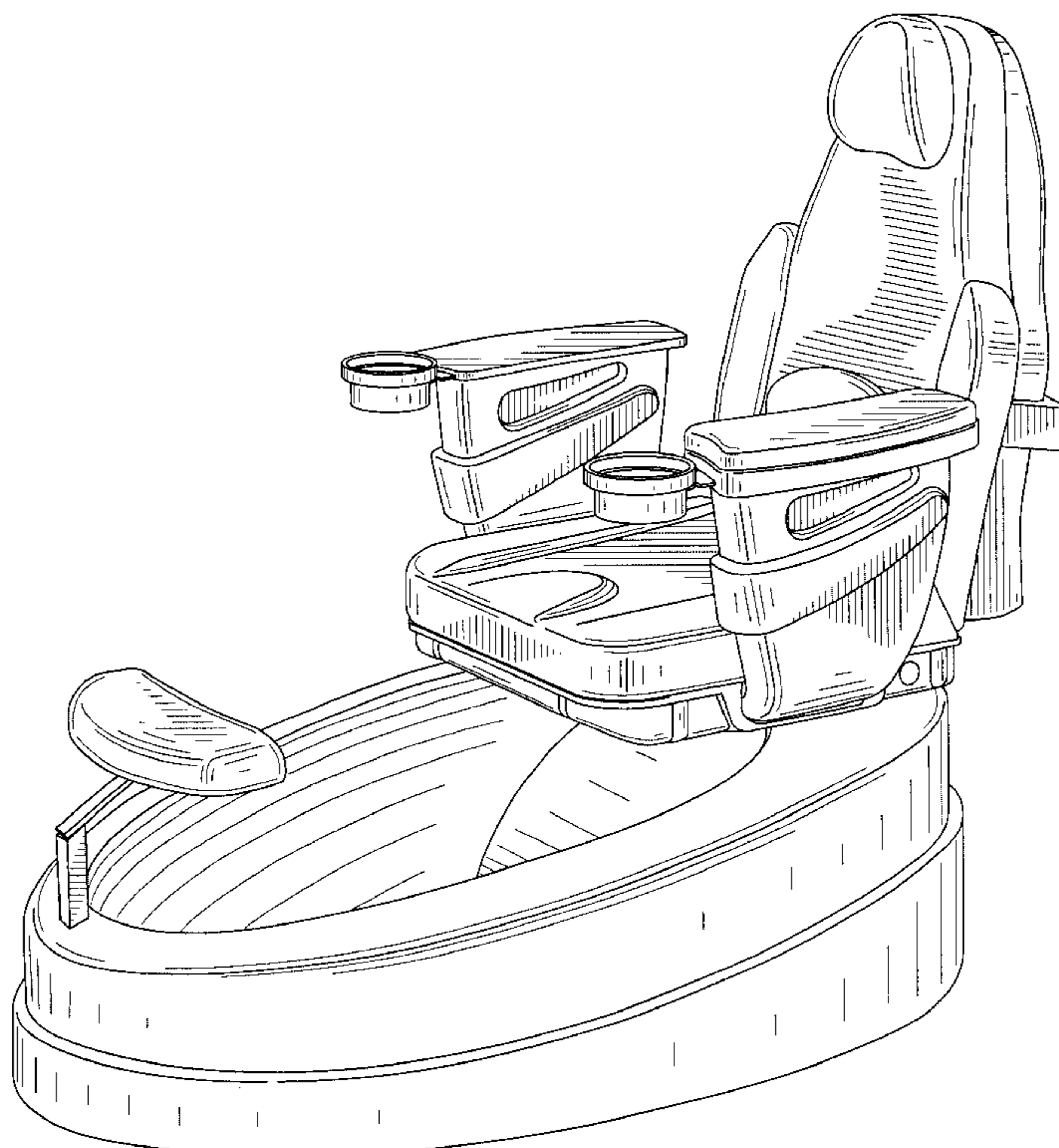
(57) **CLAIM**

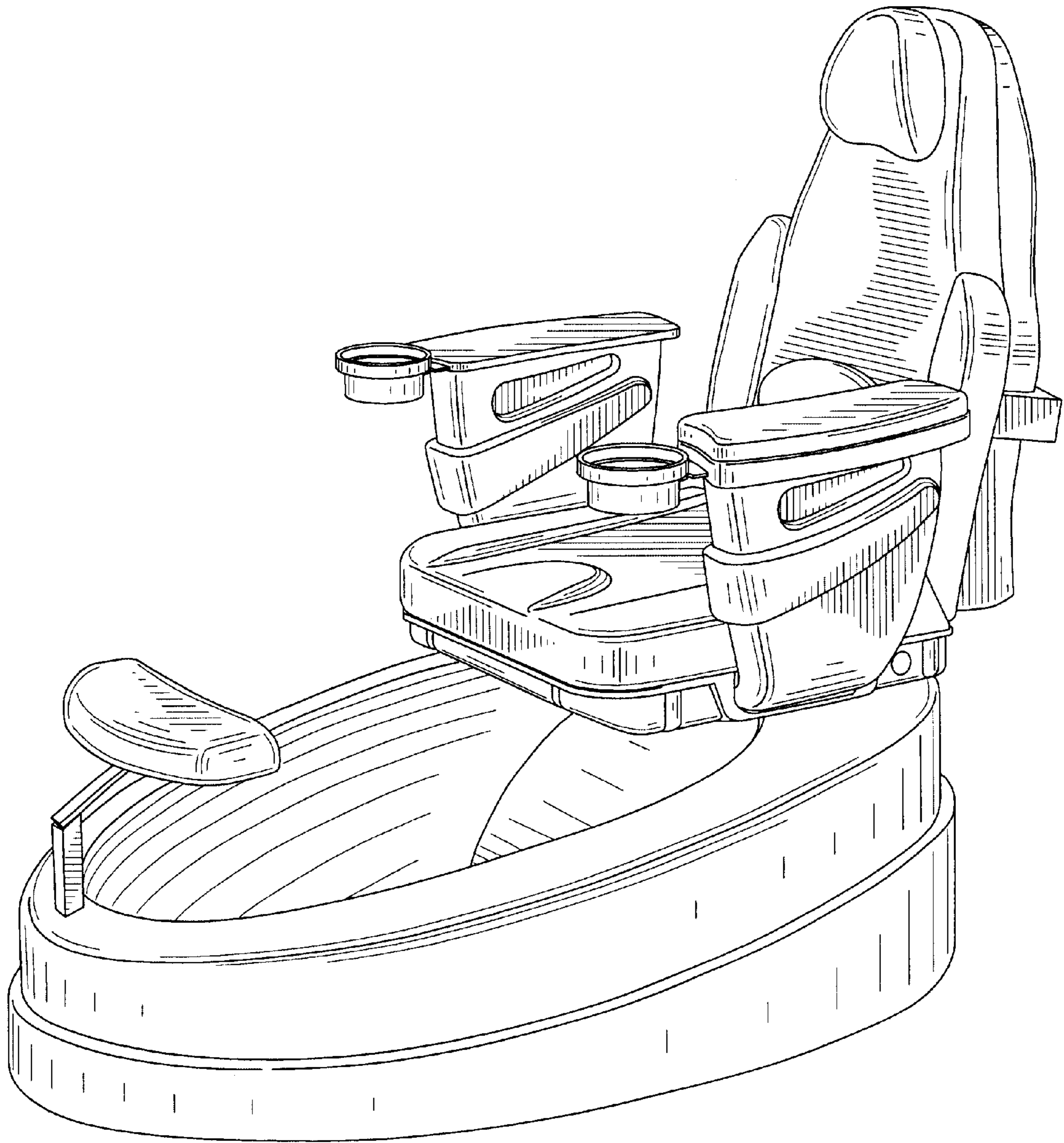
The ornamental design for a pedicure chair, as shown and described.

**DESCRIPTION**

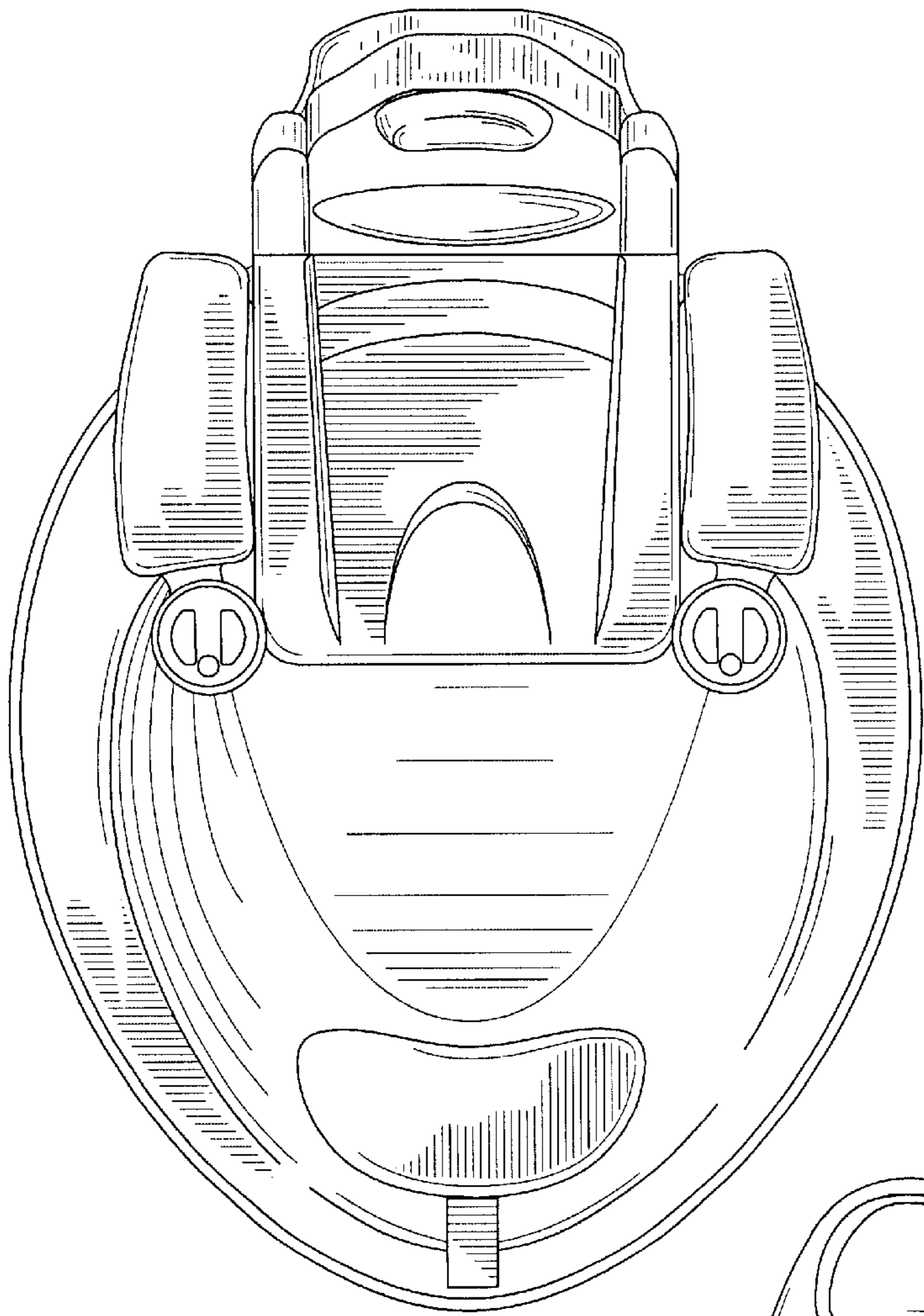
FIG. 1 is a perspective view of pedicure chair showing our new design;  
FIG. 2 is a top plan view;  
FIG. 3 is a front side elevational view;  
FIG. 4 is a right side elevational view;  
FIG. 5 is a left side elevational view;  
FIG. 6 is a bottom plan view; and,  
FIG. 7 is a rear side elevational view.

**1 Claim, 4 Drawing Sheets**

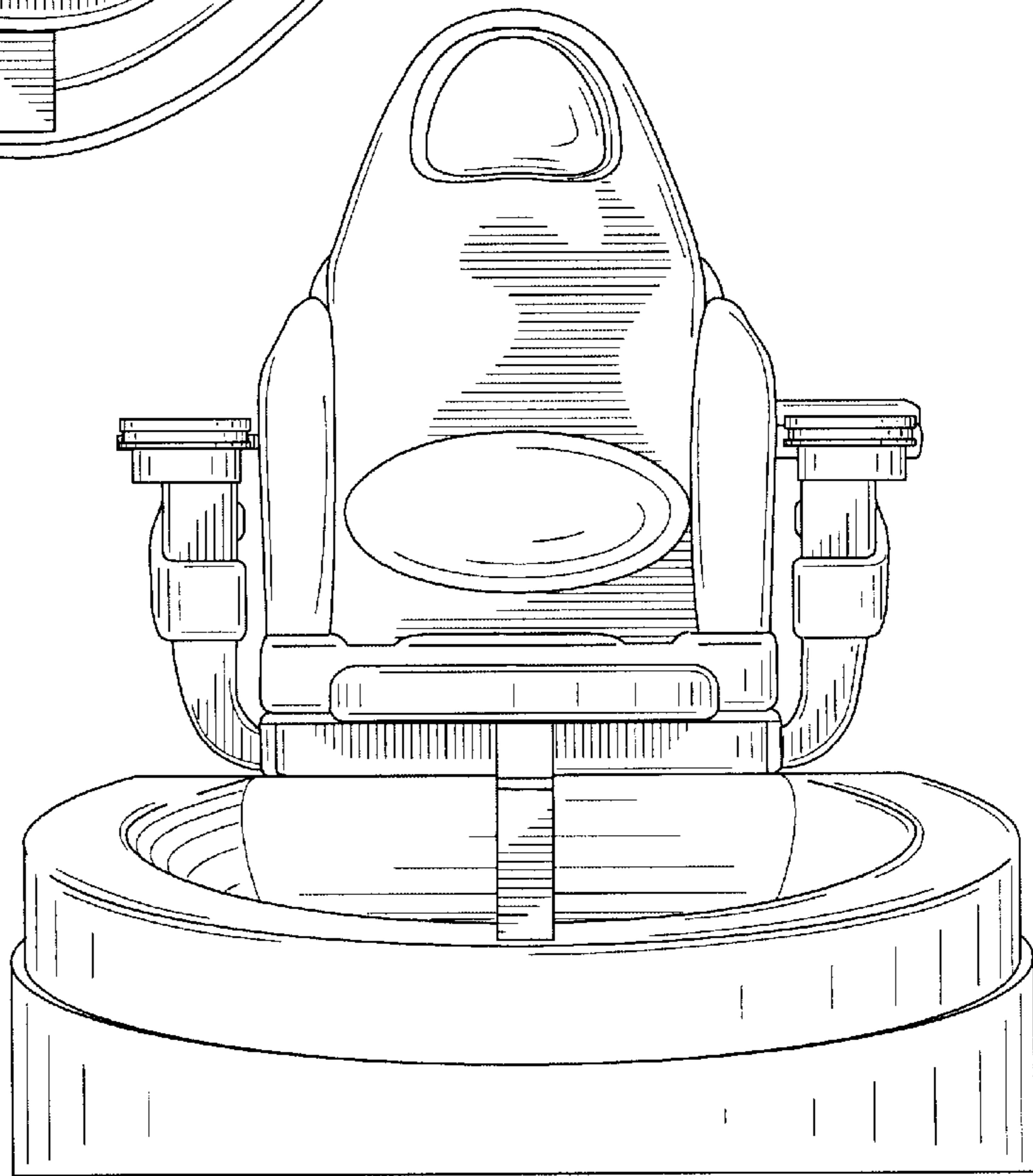




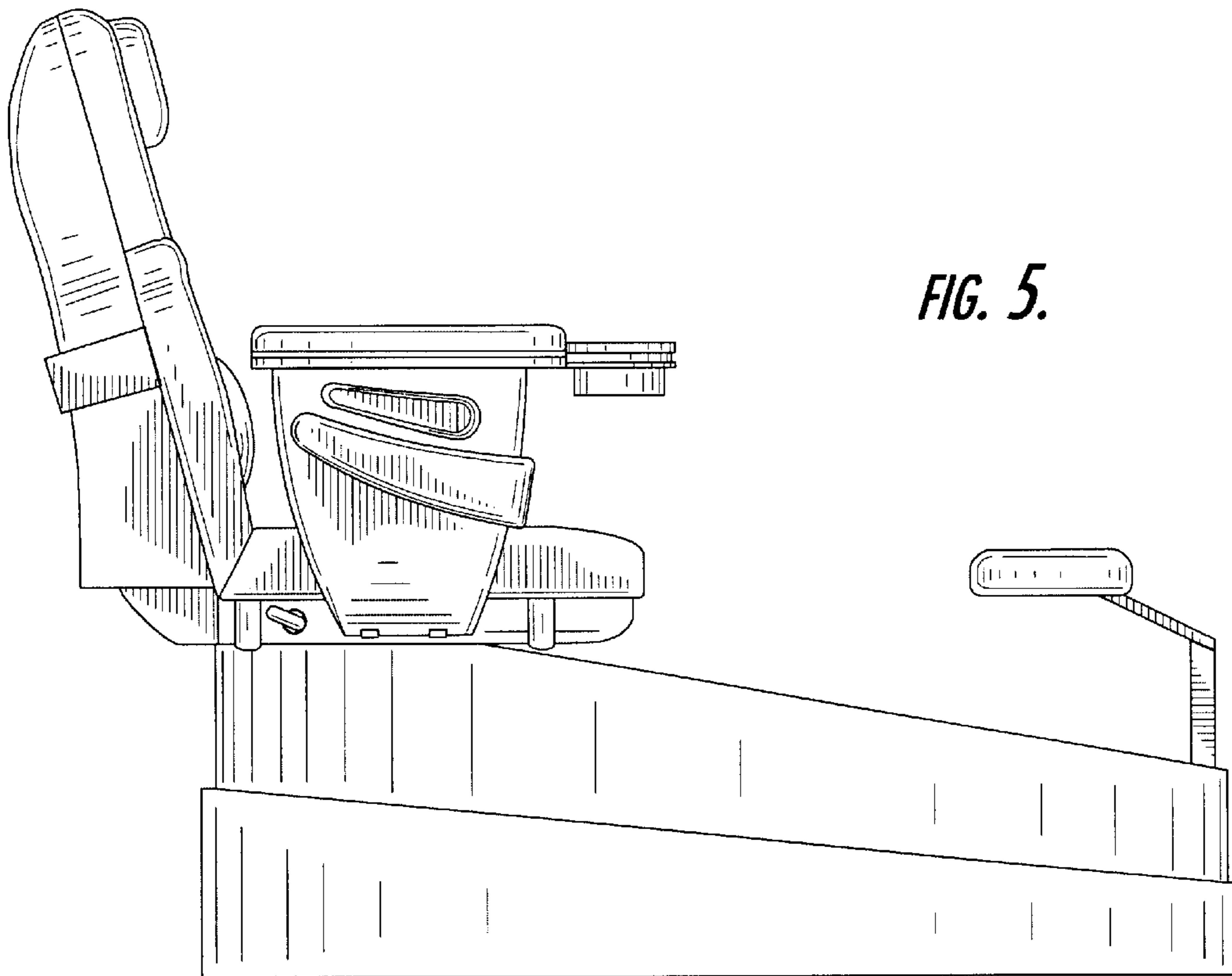
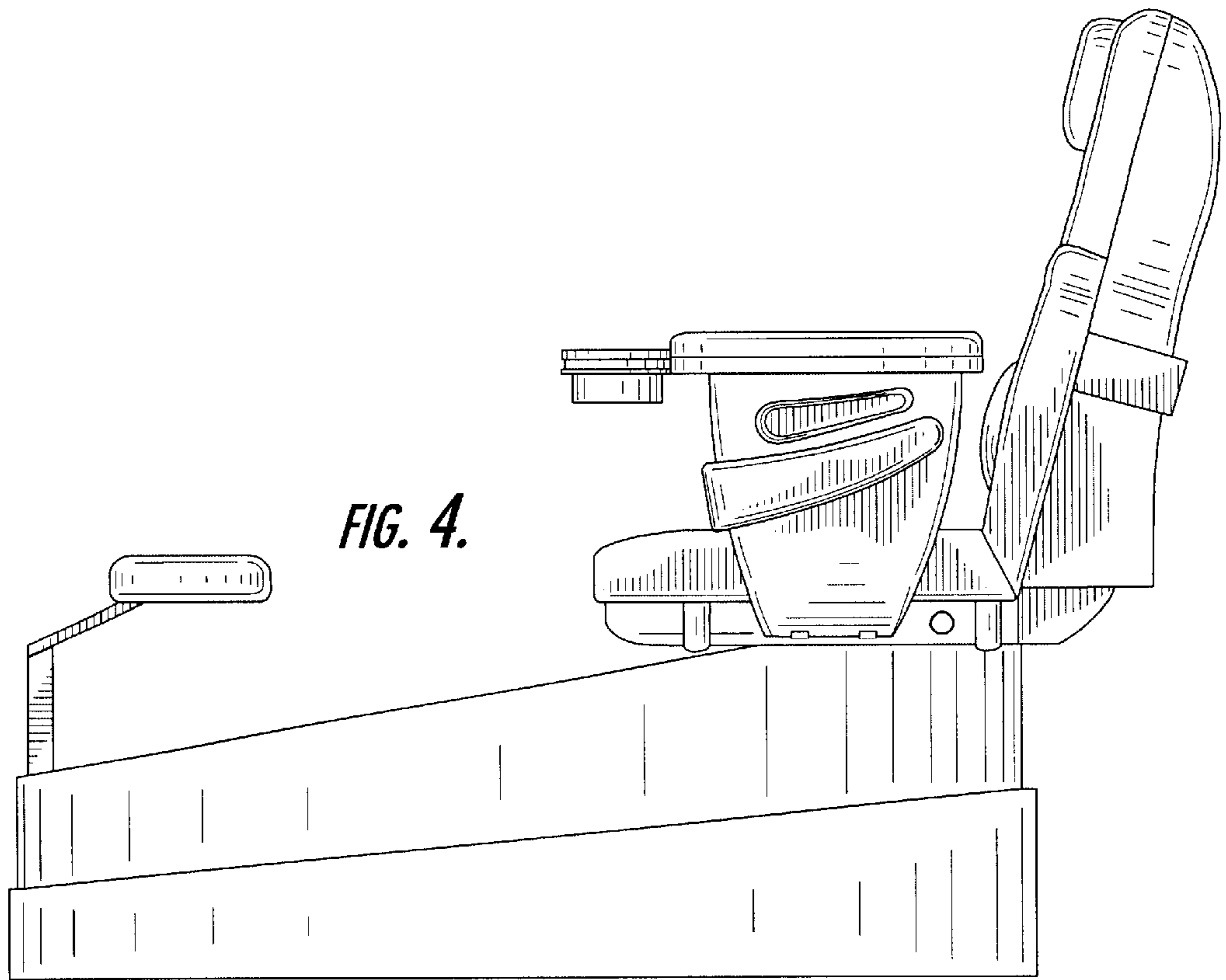
*FIG. 1.*



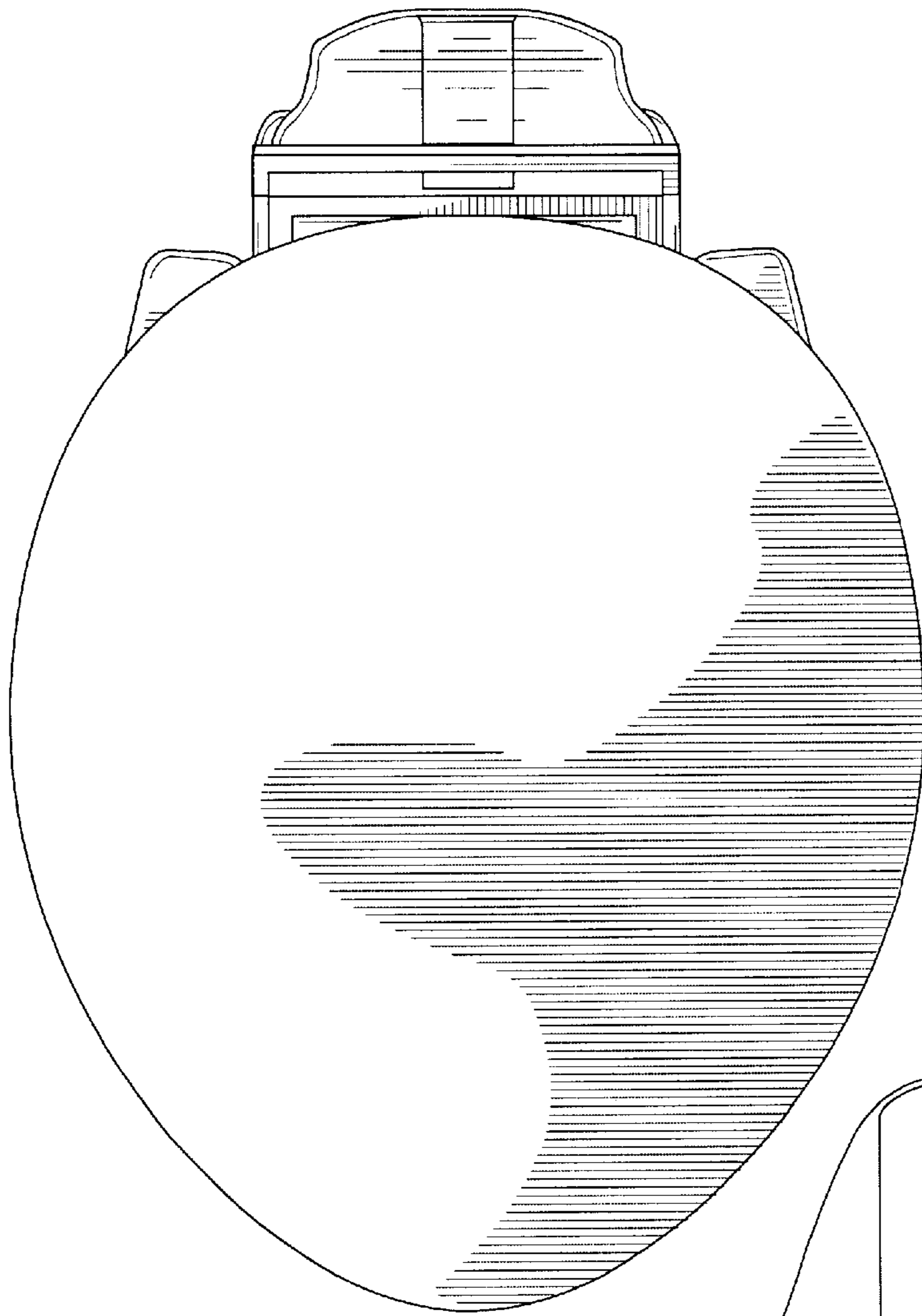
*FIG. 2.*



*FIG. 3.*







*FIG. 6.*

*FIG. 7.*

