



US00D479912S

(12) **United States Design Patent**
Wolf

(10) **Patent No.:** **US D479,912 S**

(45) **Date of Patent:** **** Sep. 30, 2003**

(54) **ROUNDED SIDE JEWELRY CASE**

(75) Inventor: **Simon Wolf**, Malibu, CA (US)

(73) Assignee: **Wolf Designs, Inc.**, Malibu, CA (US)

(**) Term: **14 Years**

(21) Appl. No.: **29/176,412**

(22) Filed: **Feb. 20, 2003**

(51) **LOC (7) Cl.** **03-01**

(52) **U.S. Cl.** **D3/294; D3/276; D3/903**

(58) **Field of Search** **D3/273, 274, 275,**
D3/283, 284, 294, 295, 246, 901, 903;
206/6.1, 566; D9/423, 424; 190/109, 110,
111

(56) **References Cited**

U.S. PATENT DOCUMENTS

D325,123 S	*	4/1992	Tirmani	D3/275
D351,283 S	*	10/1994	Wolff	D3/281
5,692,605 A	*	12/1997	Lai	206/6.1
D416,135 S	*	11/1999	Chen	D3/276
D417,783 S	*	12/1999	Wolf	D3/297
D418,298 S	*	1/2000	Wolf	D3/297
D451,671 S	*	12/2001	Wolf	D3/275
D454,687 S	*	3/2002	Wolf	D3/275
D455,550 S	*	4/2002	Wolf	D3/275

D455,902 S	*	4/2002	Wolf	D3/275
D457,315 S	*	5/2002	Wolf	D3/290
D467,427 S	*	12/2002	Wolf	D3/289
D471,010 S	*	3/2003	Wolf	D3/294

* cited by examiner

Primary Examiner—Philip S. Hyder

(74) *Attorney, Agent, or Firm*—Cislo & Thomas LLP

(57) **CLAIM**

The ornamental design for a rounded side jewelry case, as shown and described herein.

DESCRIPTION

FIG. 1. Is a perspective view of my rounded side jewelry case shown in the open position with the dotted lines showing being for illustrative purposes only for which no claim is made;

FIG. 2. Is a front perspective view of my rounded side jewelry case as shown in the closed position;

FIG. 3. Is a top plan view thereof;

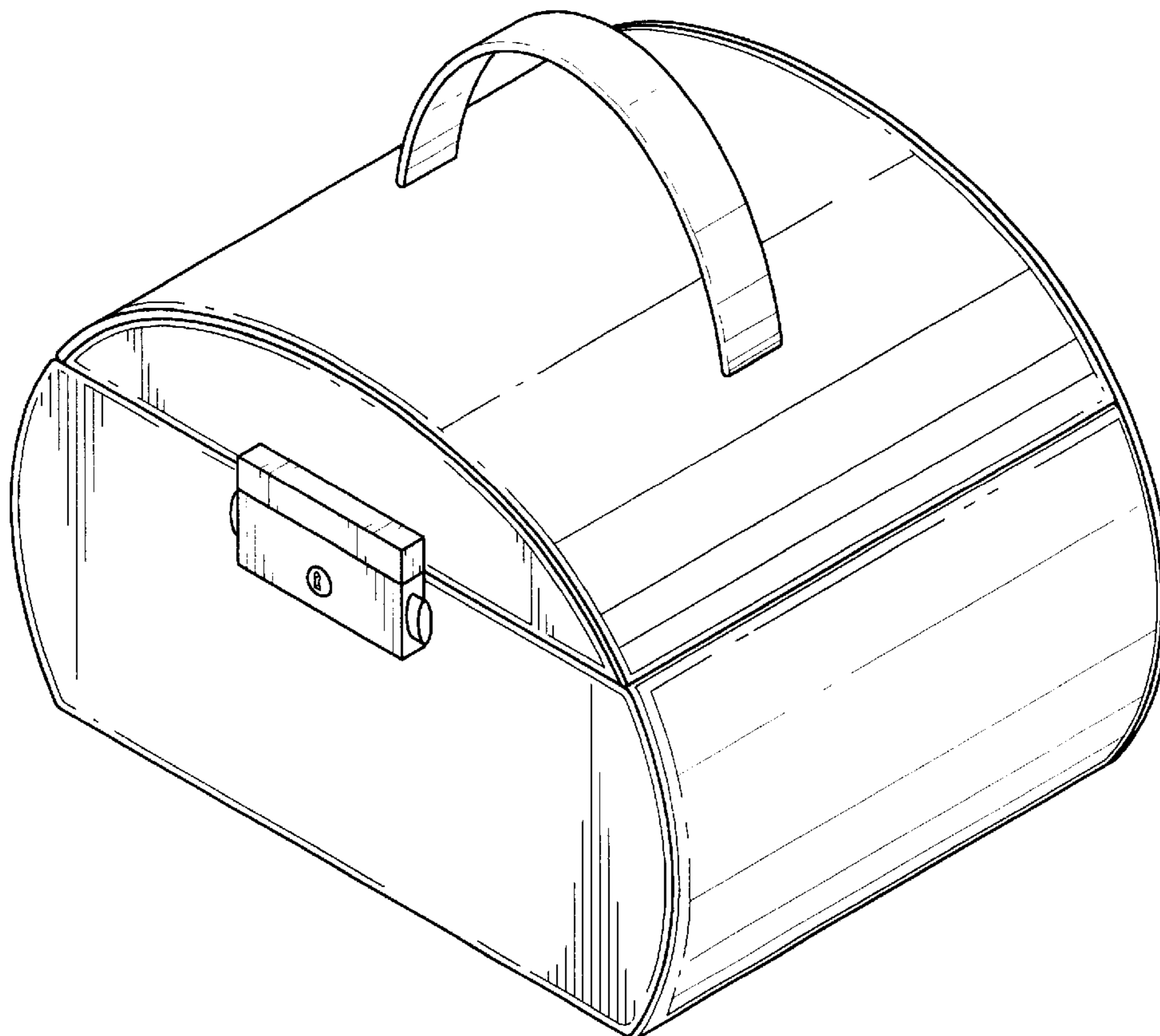
FIG. 4. Is a bottom plan view thereof;

FIG. 5. Is a front view thereof;

FIG. 6. Is a rear view thereof; and,

FIG. 7. Is a left side elevational view thereof with the right side being a mirror image thereof.

1 Claim, 5 Drawing Sheets



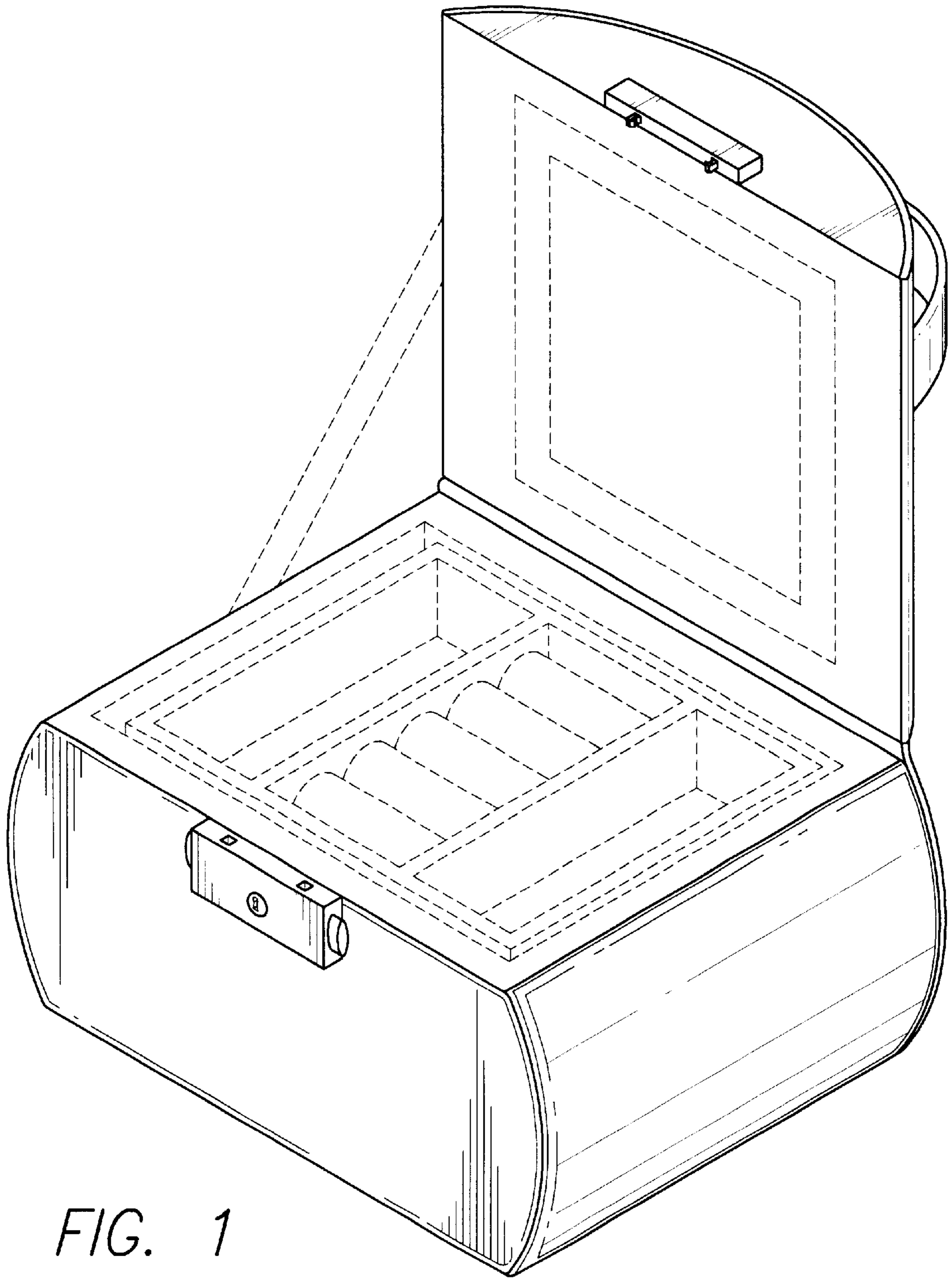


FIG. 1

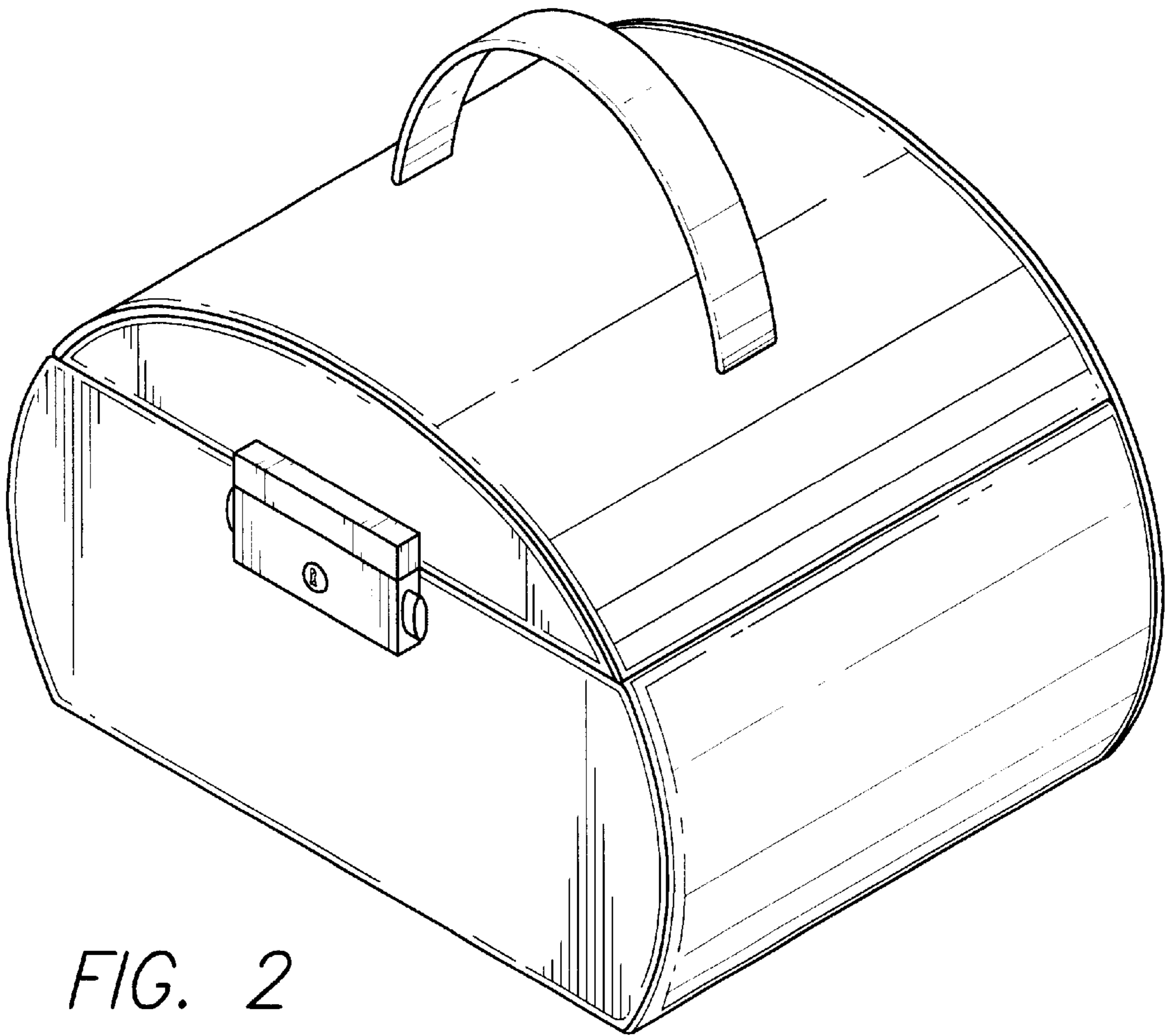


FIG. 2

FIG. 3

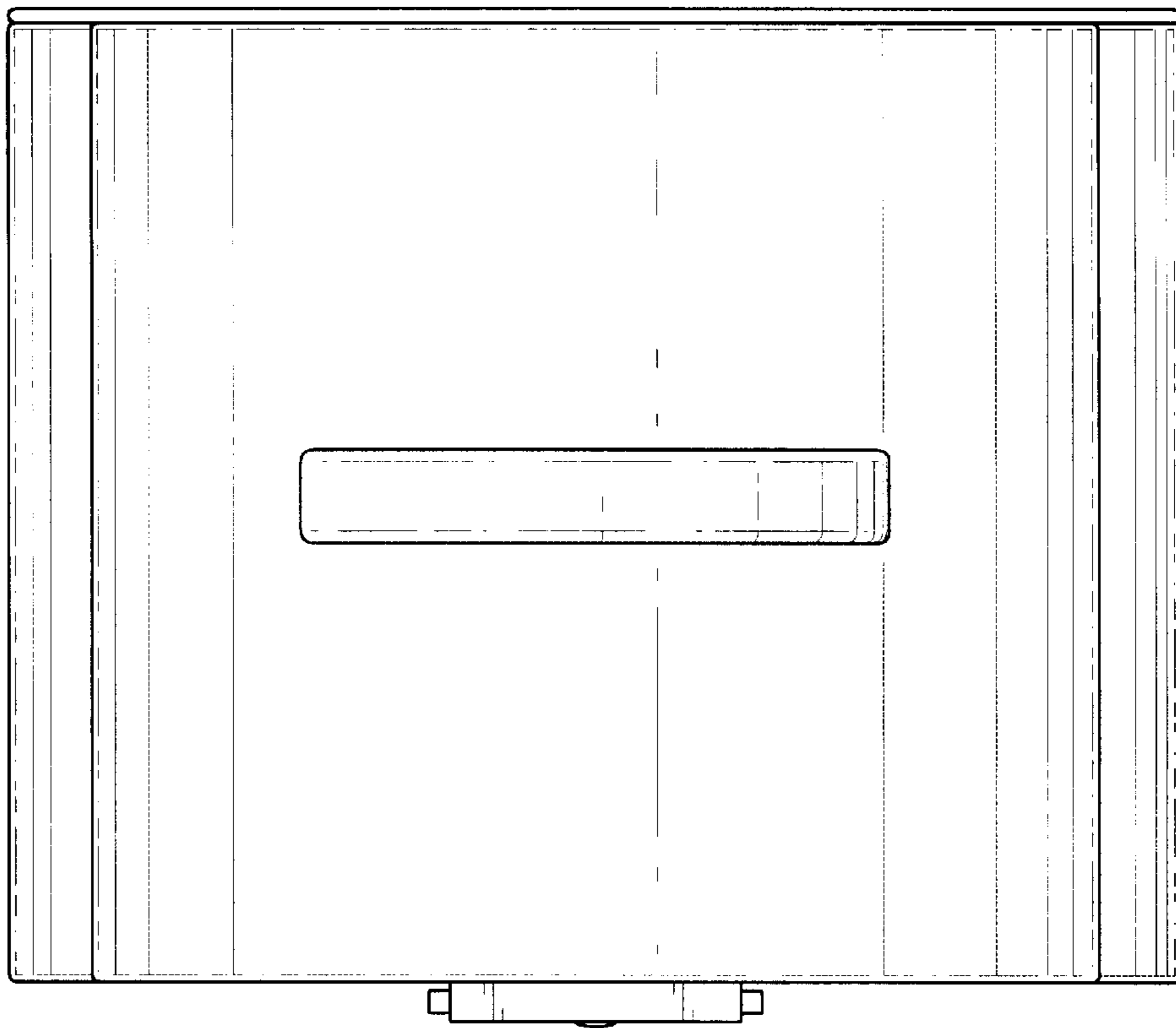


FIG. 4

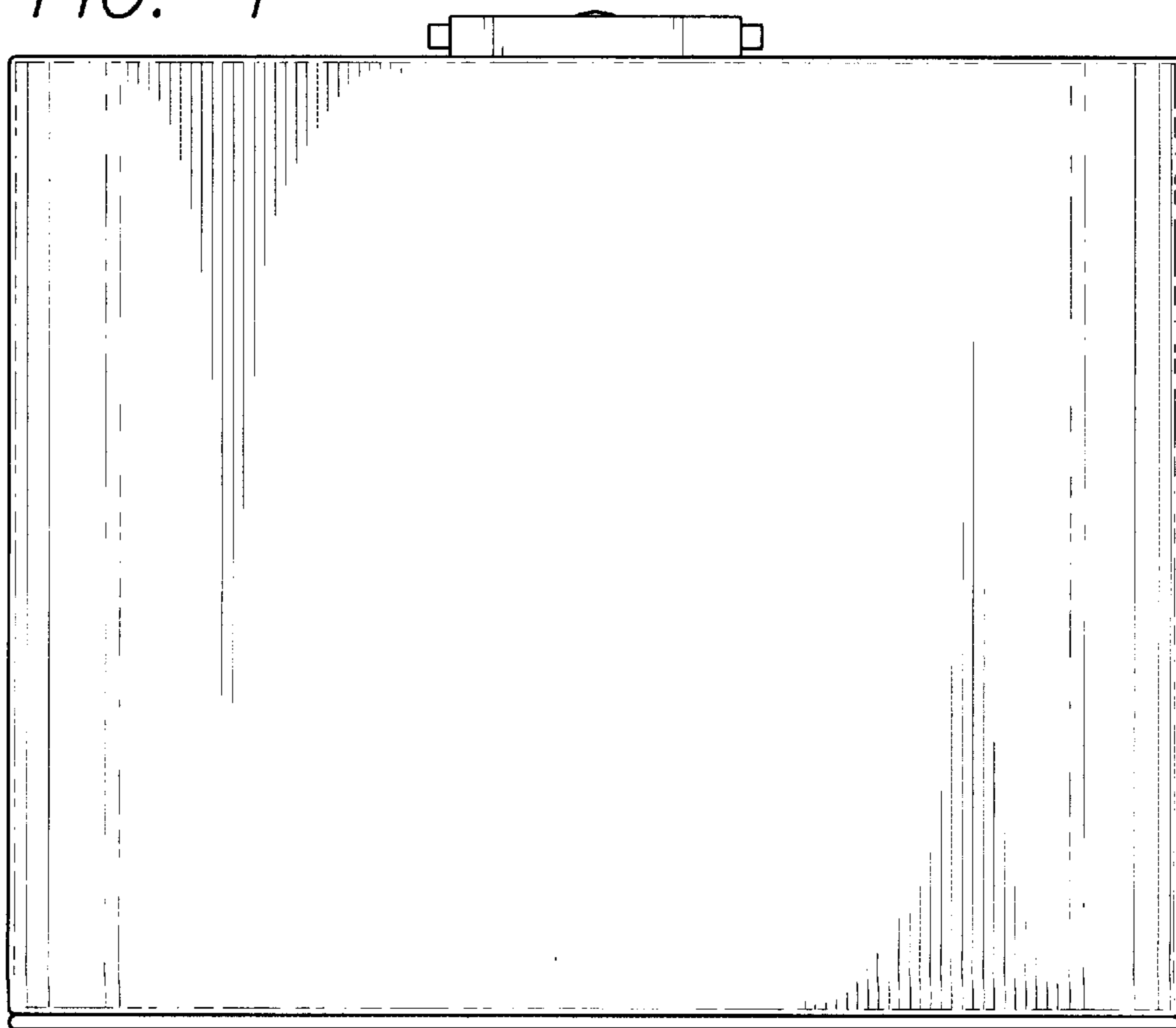


FIG. 5

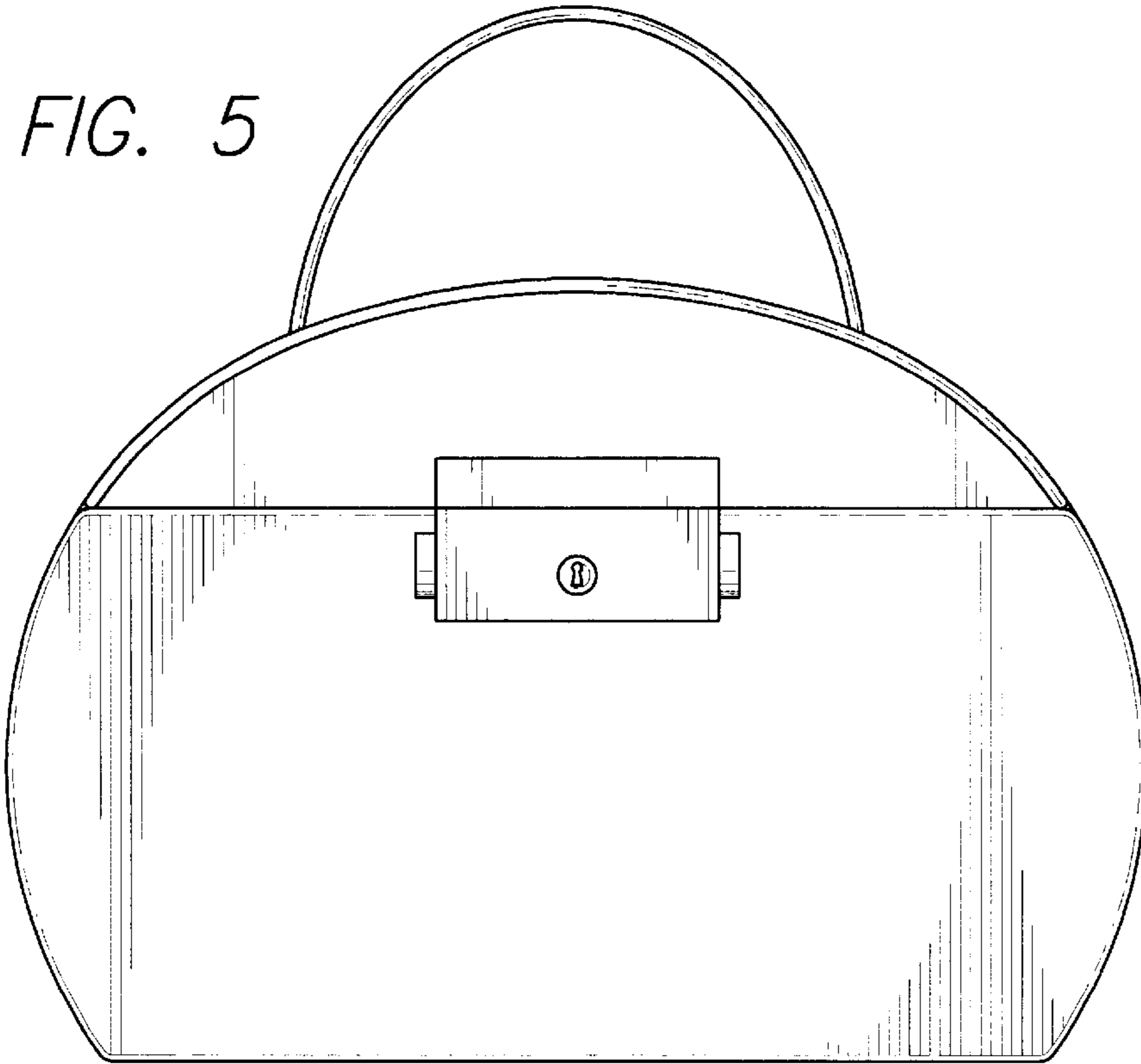
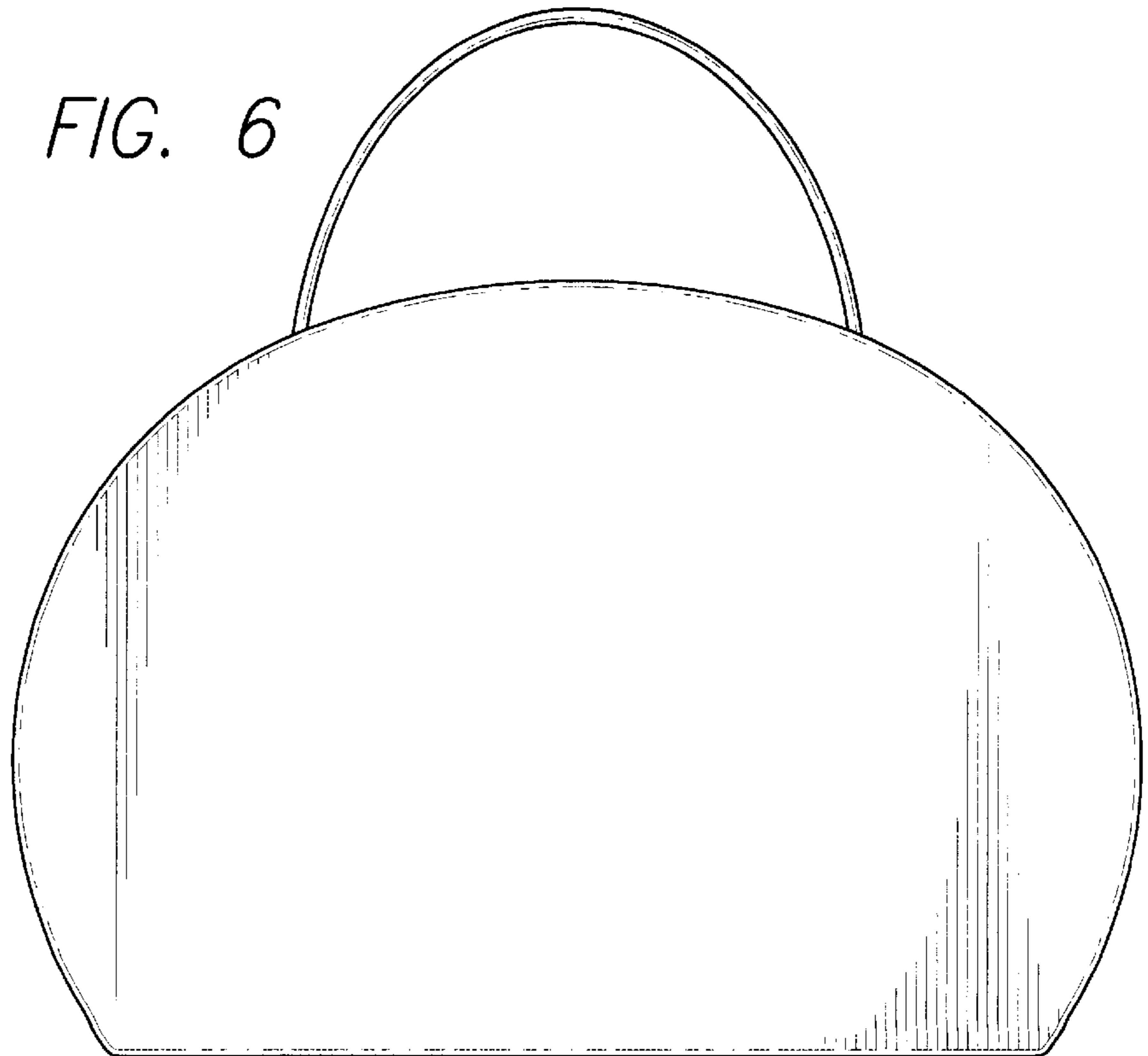


FIG. 6



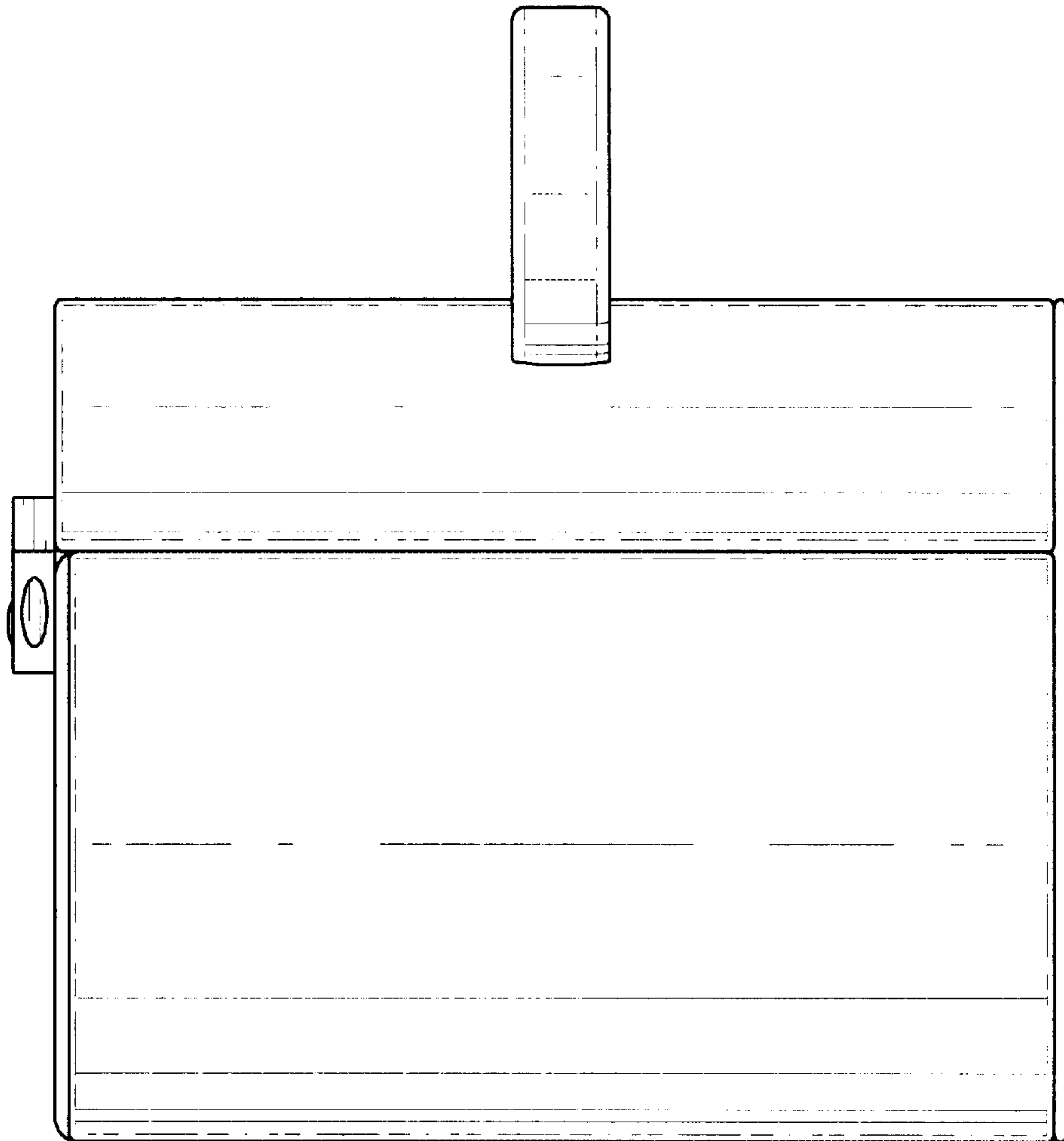


FIG. 7