



US00D479908S

(12) **United States Design Patent**
Hassett

(10) **Patent No.:** **US D479,908 S**

(45) **Date of Patent:** **** Sep. 30, 2003**

(54) **STORAGE CASE FOR A COMPACT DISC
PLAYER**

Primary Examiner—Catherine R. Oliver
(74) *Attorney, Agent, or Firm*—Sheridan Ross P.C.

(75) **Inventor:** **Eric S. Hassett**, Golden, CO (US)

(57) **CLAIM**

(73) **Assignee:** **Case Logic, Inc.**, Longmont, CO (US)

The ornamental design for a storage case for a compact disc player, as shown and described.

(**) **Term:** **14 Years**

DESCRIPTION

(21) **Appl. No.:** **29/168,451**

FIG. 1 is a front perspective view of a storage case for a compact disc player showing my new design, the broken lines representing stitching;

(22) **Filed:** **Oct. 1, 2002**

FIG. 2 is a front elevation view of the invention illustrated in FIG. 1;

(51) **LOC (7) Cl.** **03-01**

(52) **U.S. Cl.** **D3/218; D6/632**

FIG. 3 is a right elevation view of the invention illustrated in FIG. 1;

(58) **Field of Search** D3/218, 201, 205,
D3/215, 232, 243, 226, 224; D6/407, 631-635;
206/307.1, 308, 308.1, 308.2, 387.1; 150/131

FIG. 4 is a top plan view of the invention illustrated in FIG. 1;

(56) **References Cited**

U.S. PATENT DOCUMENTS

D109,480 S	*	5/1938	Harlem	D3/205
D263,897 S	*	4/1982	Thornton	D3/243
D418,287 S	*	1/2000	Moor	D6/632
D425,699 S	*	5/2000	Lau	D3/226
D432,344 S	*	10/2000	Eskandry	D6/632
D465,323 S	*	11/2002	Dancyger	D3/226

FIG. 5 is a rear elevation view of the invention illustrated in FIG. 1;

FIG. 6 is a left elevation view of the invention illustrated in FIG. 1;

FIG. 7 is a bottom plan view of the invention illustrated in FIG. 1; and,

FIG. 8 is a front perspective view of the invention shown in FIG. 1 in an open position.

* cited by examiner

1 Claim, 3 Drawing Sheets

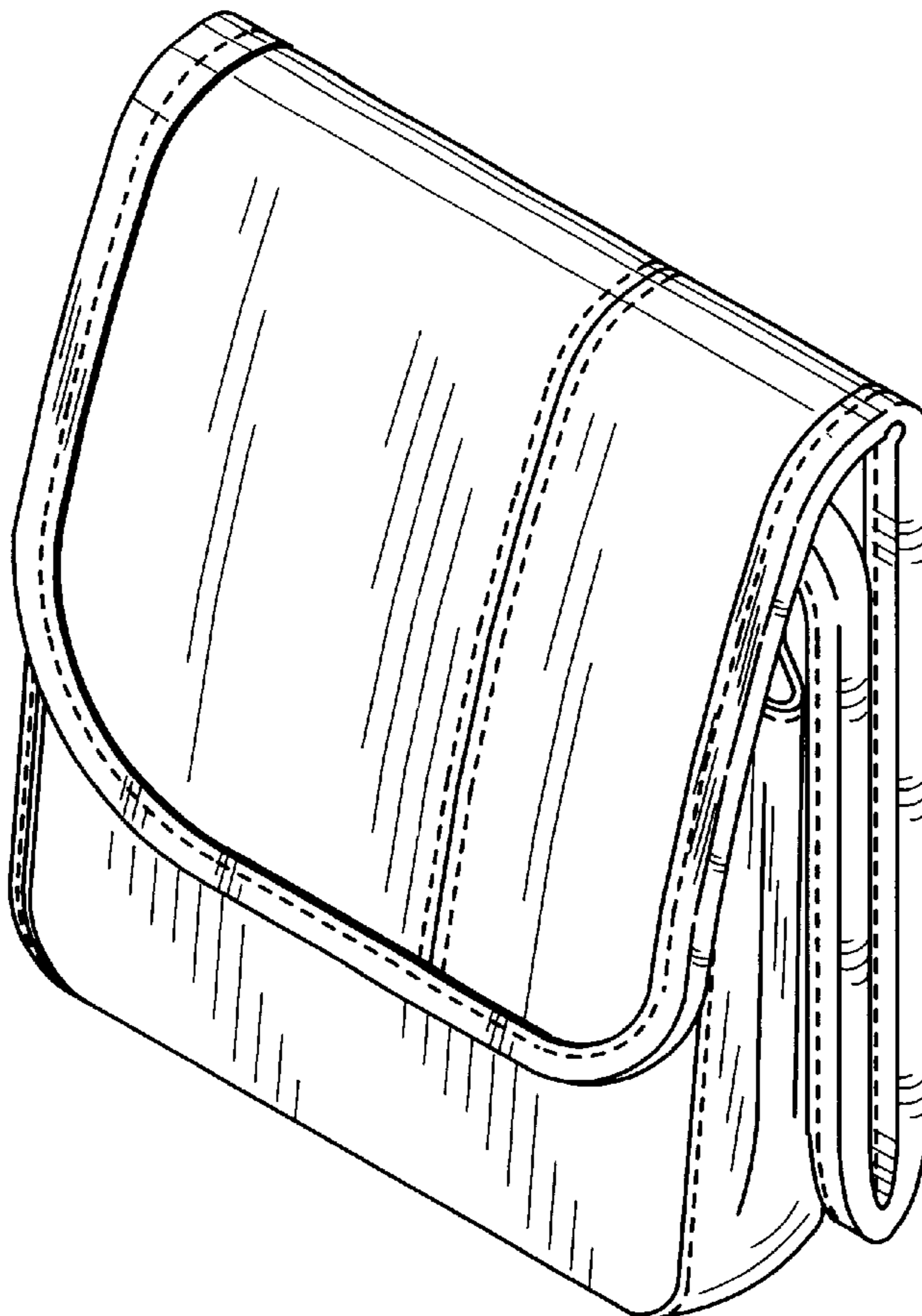


Fig. 1

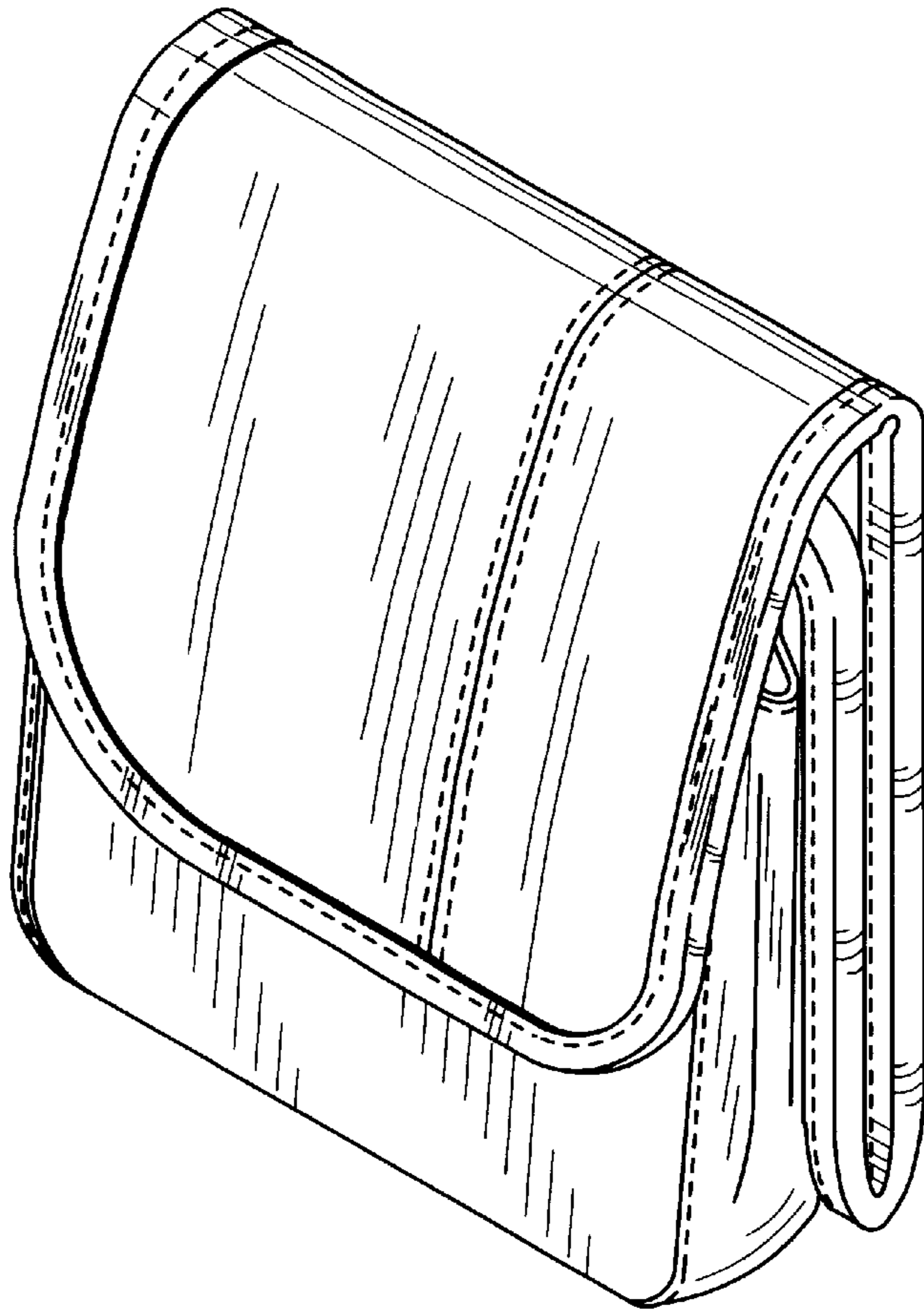


Fig. 2

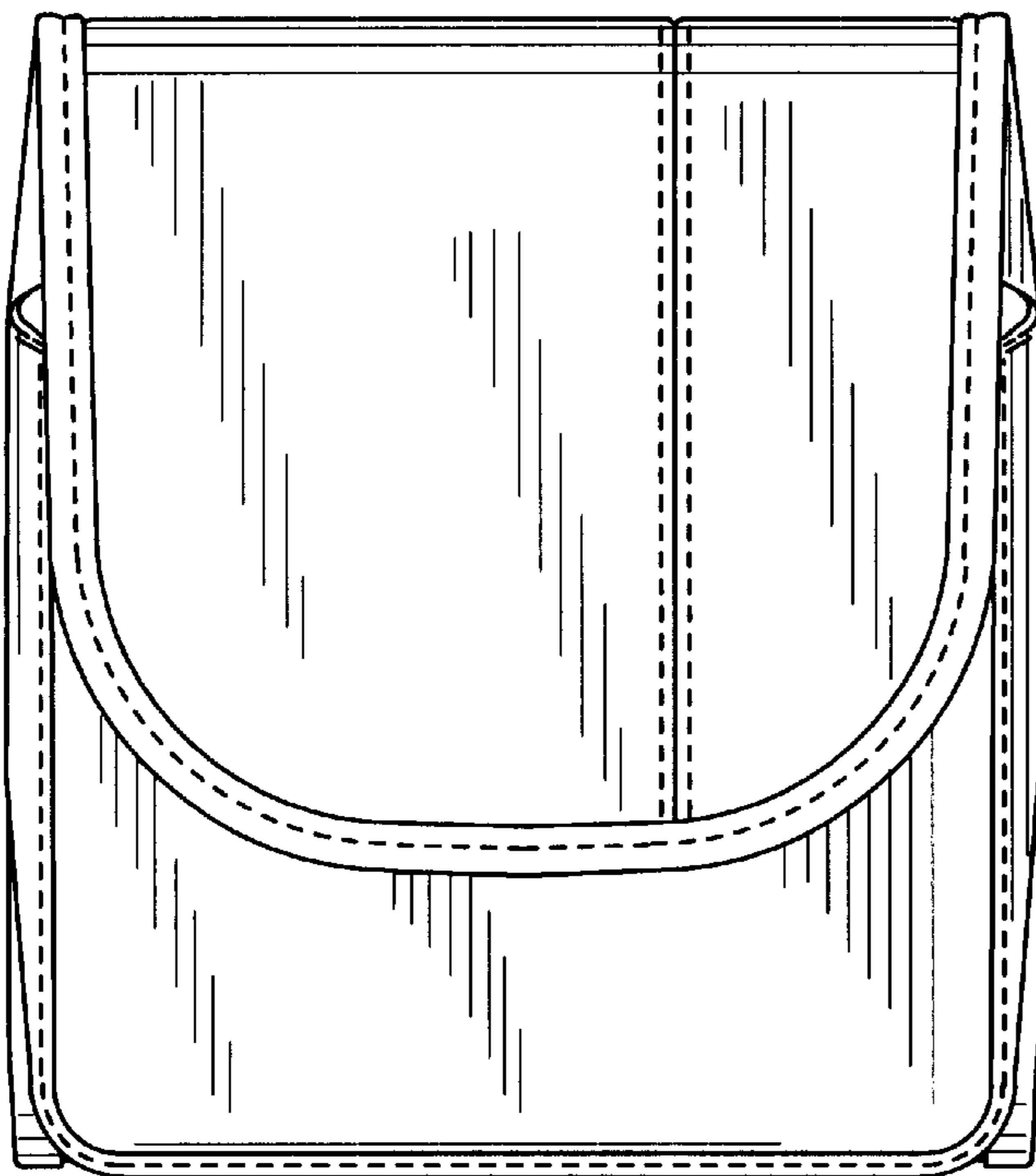


Fig. 3



Fig. 4

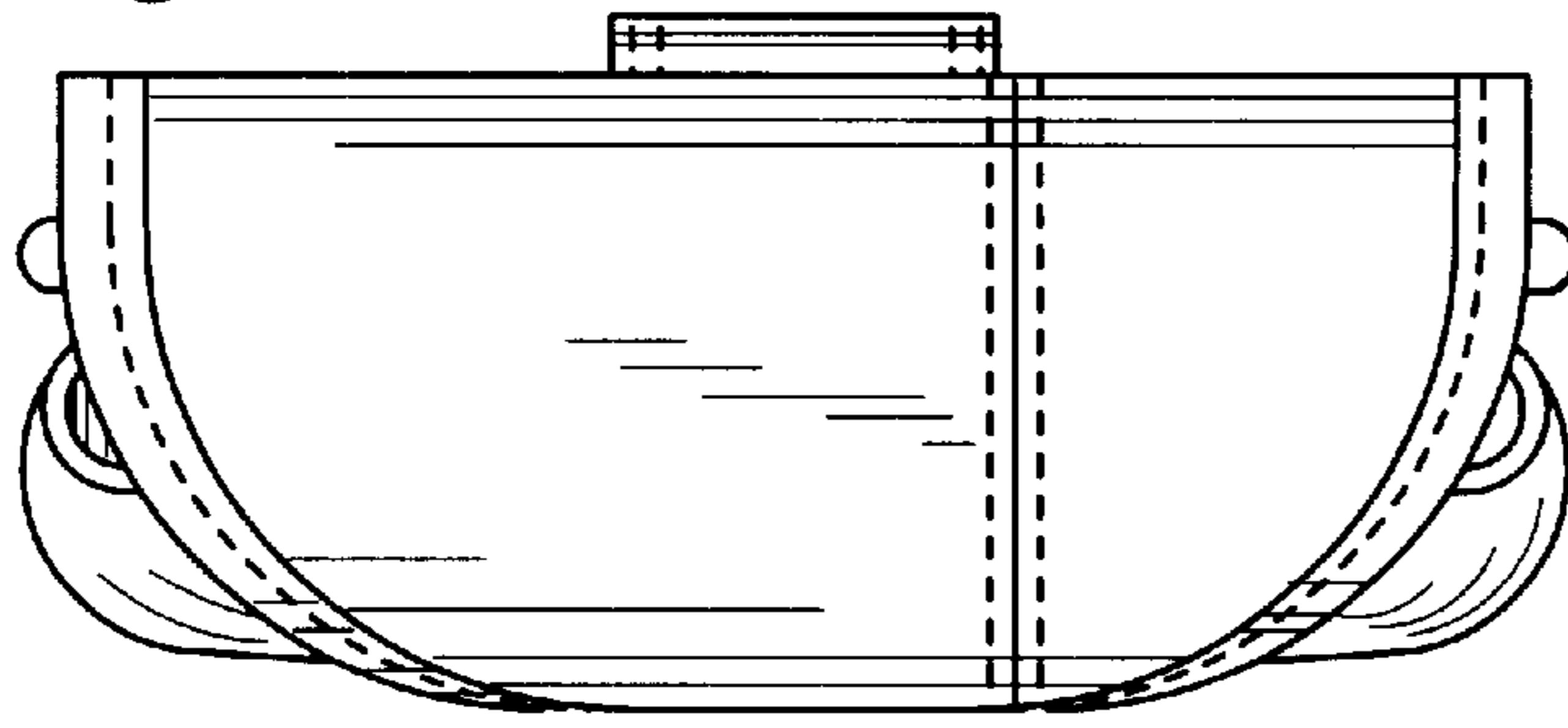


Fig. 5

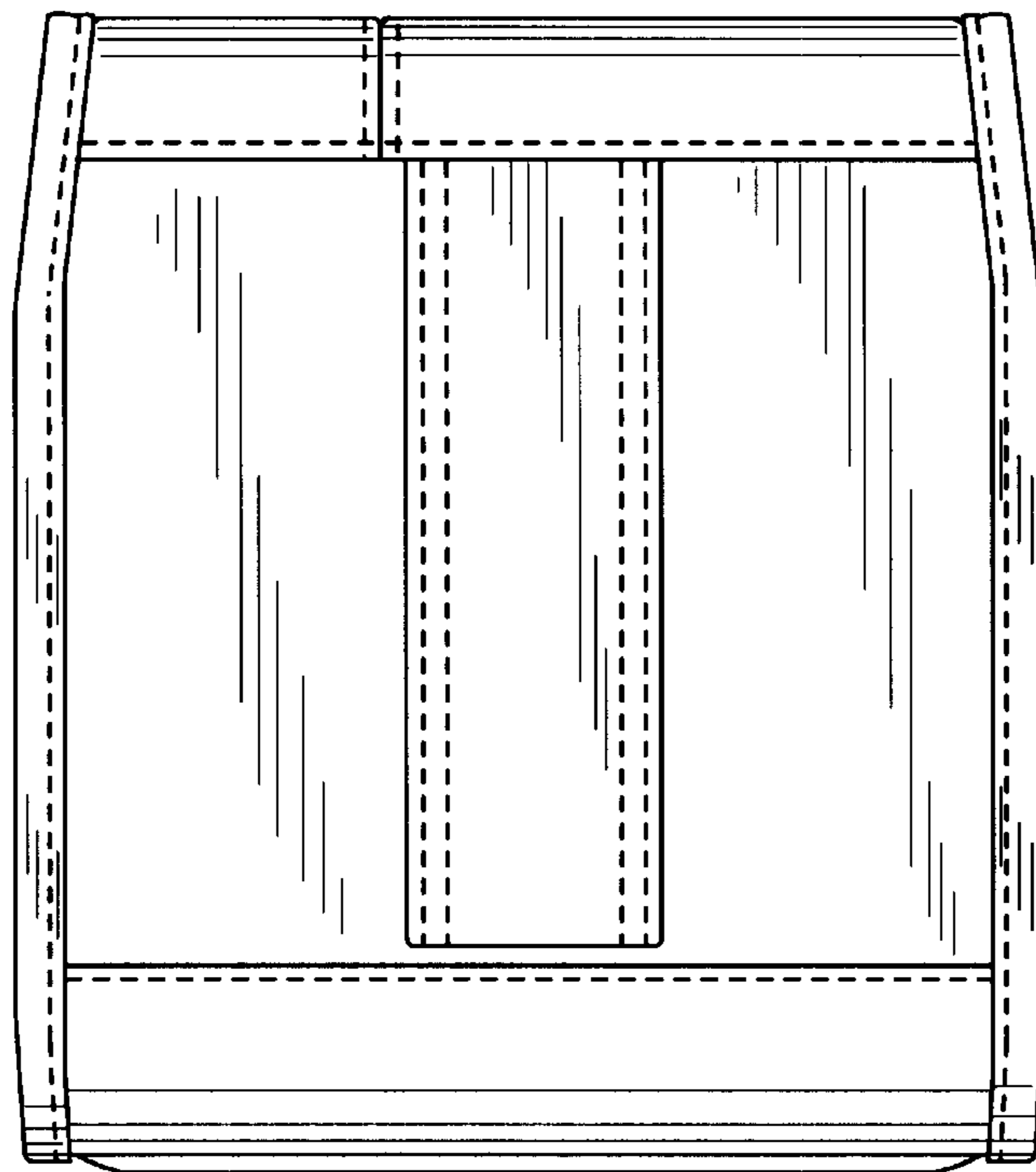


Fig. 6

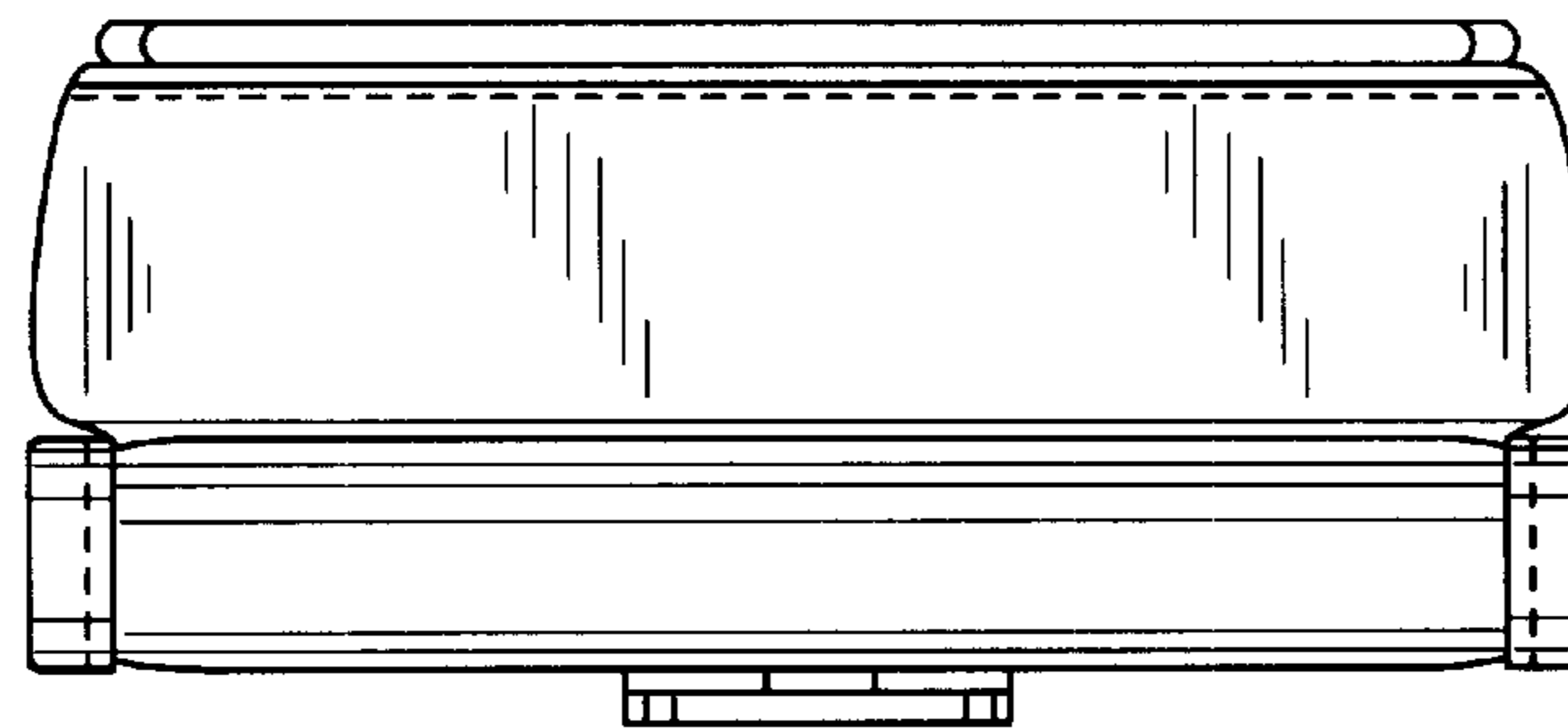
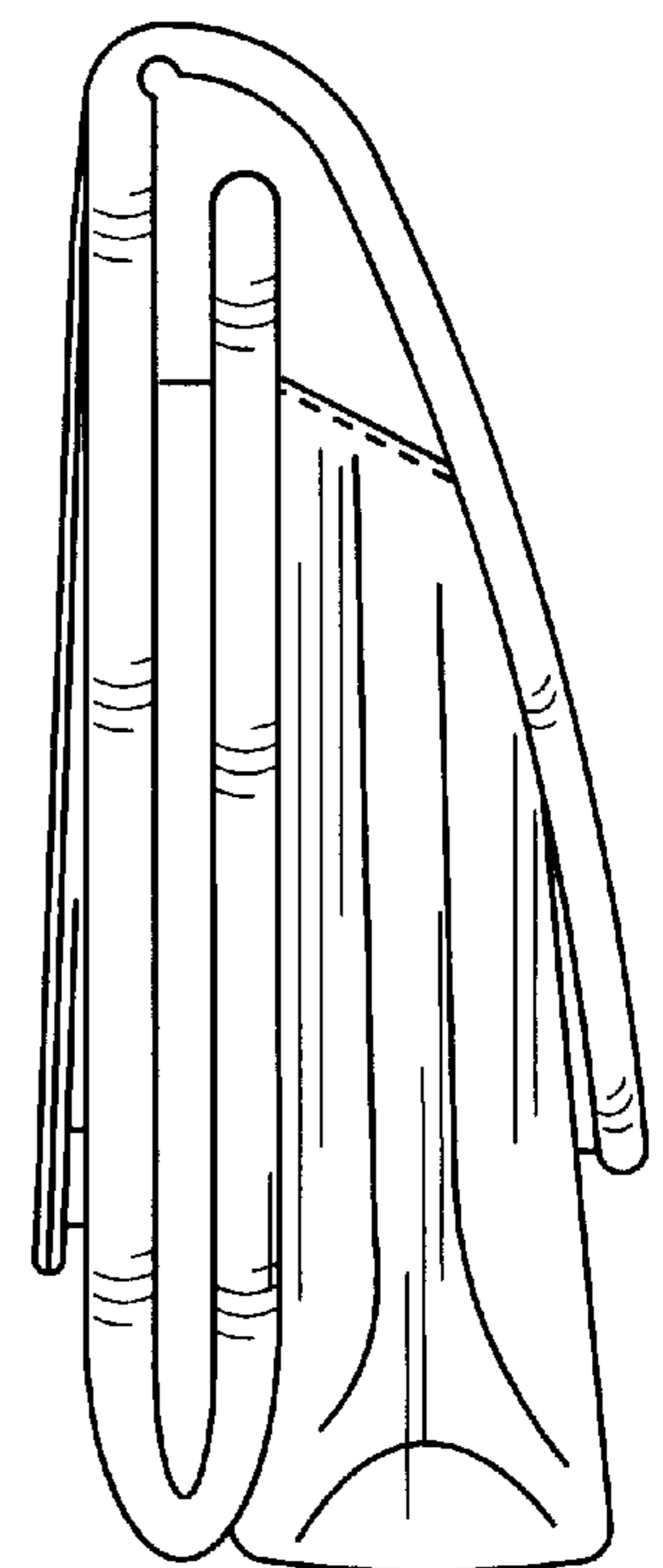


Fig. 7



Fig. 8