



US00D479905S

(12) **United States Design Patent**
Wright et al.

(10) **Patent No.:** **US D479,905 S**

(45) **Date of Patent:** **** Sep. 30, 2003**

(54) **GAIT TRAINING HARNESS**

(76) Inventors: **Sherry L. Wright**, 1630 Sophia Dr.,
Oxnard, CA (US) 93030; **Elizabeth M.**
Pretorius, 1630 Sophia Dr., Oxnard,
CA (US) 93030

(**) **Term:** **14 Years**

(21) **Appl. No.:** **29/159,254**

(22) **Filed:** **Apr. 15, 2002**

(51) **LOC (7) Cl.** **02-99**

(52) **U.S. Cl.** **D2/962; D2/946**

(58) **Field of Search** **D2/946, 906, 962;**
36/132, 136, 7.2, 7.6-7.7, 59 R-66, 1

(56) **References Cited**

U.S. PATENT DOCUMENTS

1,978,711	A	*	10/1934	Keely	36/7.6
2,450,768	A	*	10/1948	Pulver	36/7.6
2,532,485	A	*	12/1950	Dowling	36/59 R
2,714,768	A	*	8/1955	Badler	36/1
4,249,226	A		2/1981	Westberg et al.		
4,702,021	A		10/1987	Cameron		

D336,559	S	*	6/1993	Carmichael	D2/962
D362,109	S	*	9/1995	Jones	D2/962
5,485,687	A		1/1996	Rohde		
5,737,856	A		4/1998	Brockman		
5,893,223	A		4/1999	Glass		
5,943,792	A		8/1999	Powell		

* cited by examiner

Primary Examiner—Dominic Simone
(74) *Attorney, Agent, or Firm*—Brown, Martin, Haller &
McClain LLP

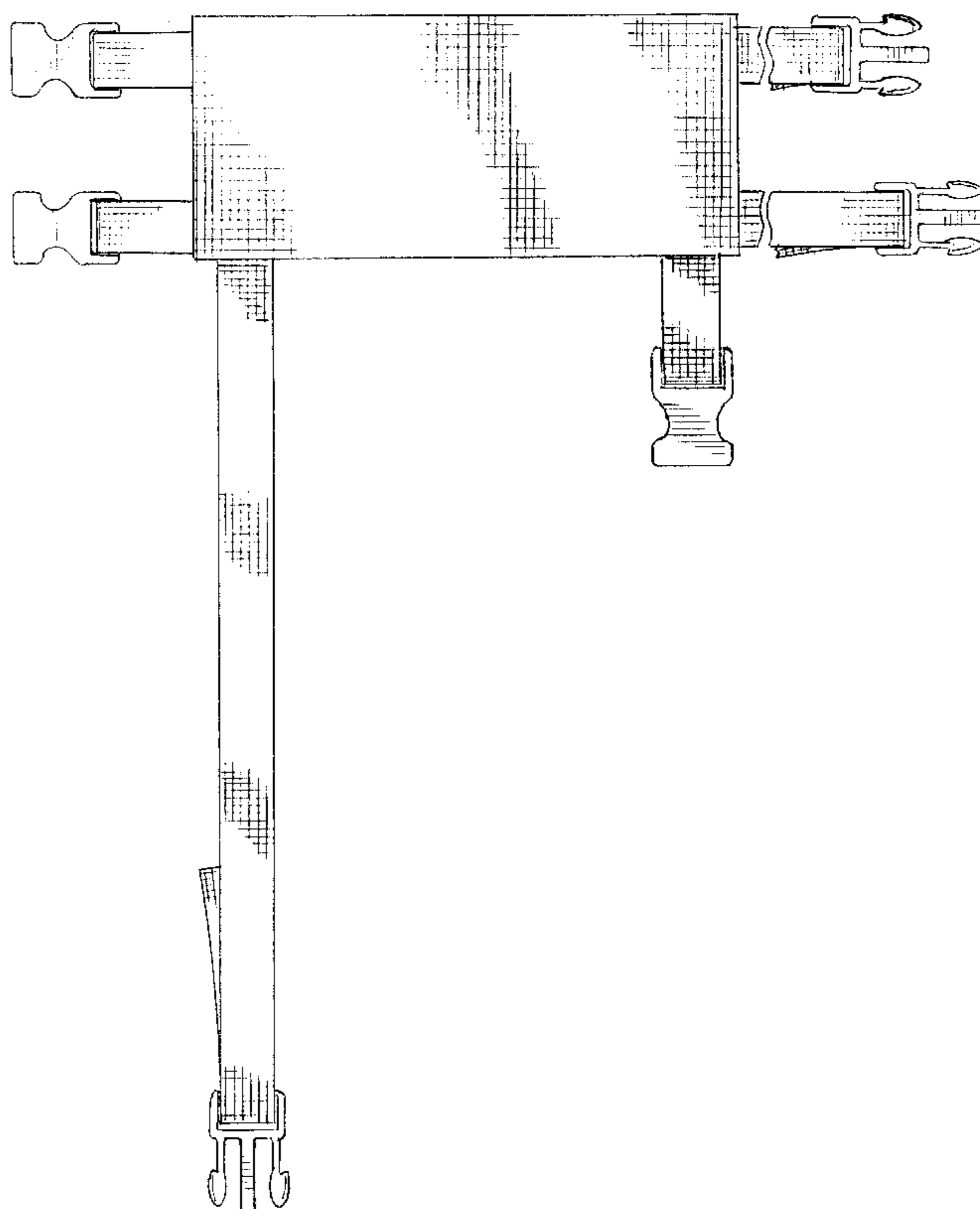
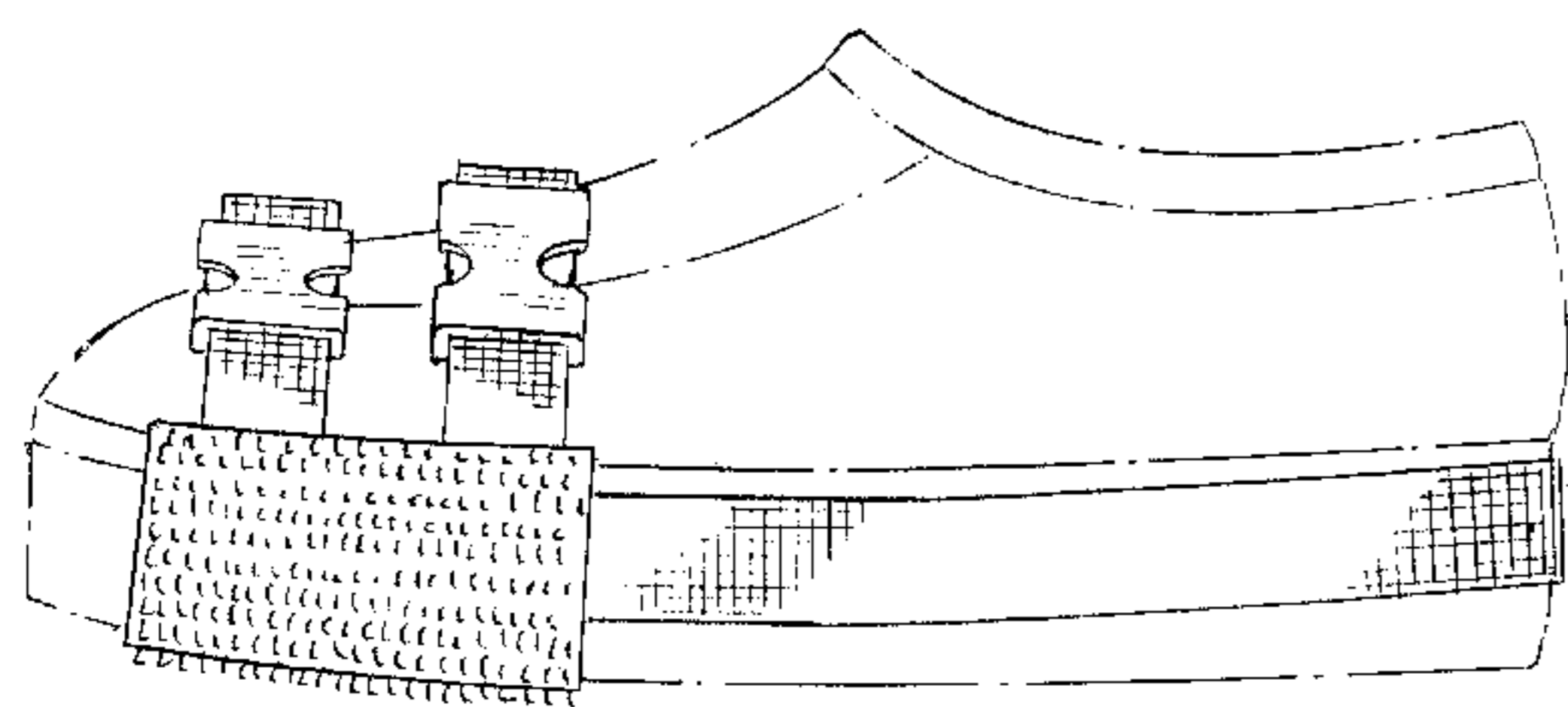
(57) **CLAIM**

The ornamental design for a gait training harness, as shown and described.

DESCRIPTION

FIG. 1 is a left side elevational view of a gait training harness attached to a typical shoe, which is shown in broken line;
FIG. 2 is a right side elevational view thereof; and,
FIG. 3 is a top plan view of the harness in flattened position, showing the inside face of the harness.

1 Claim, 2 Drawing Sheets



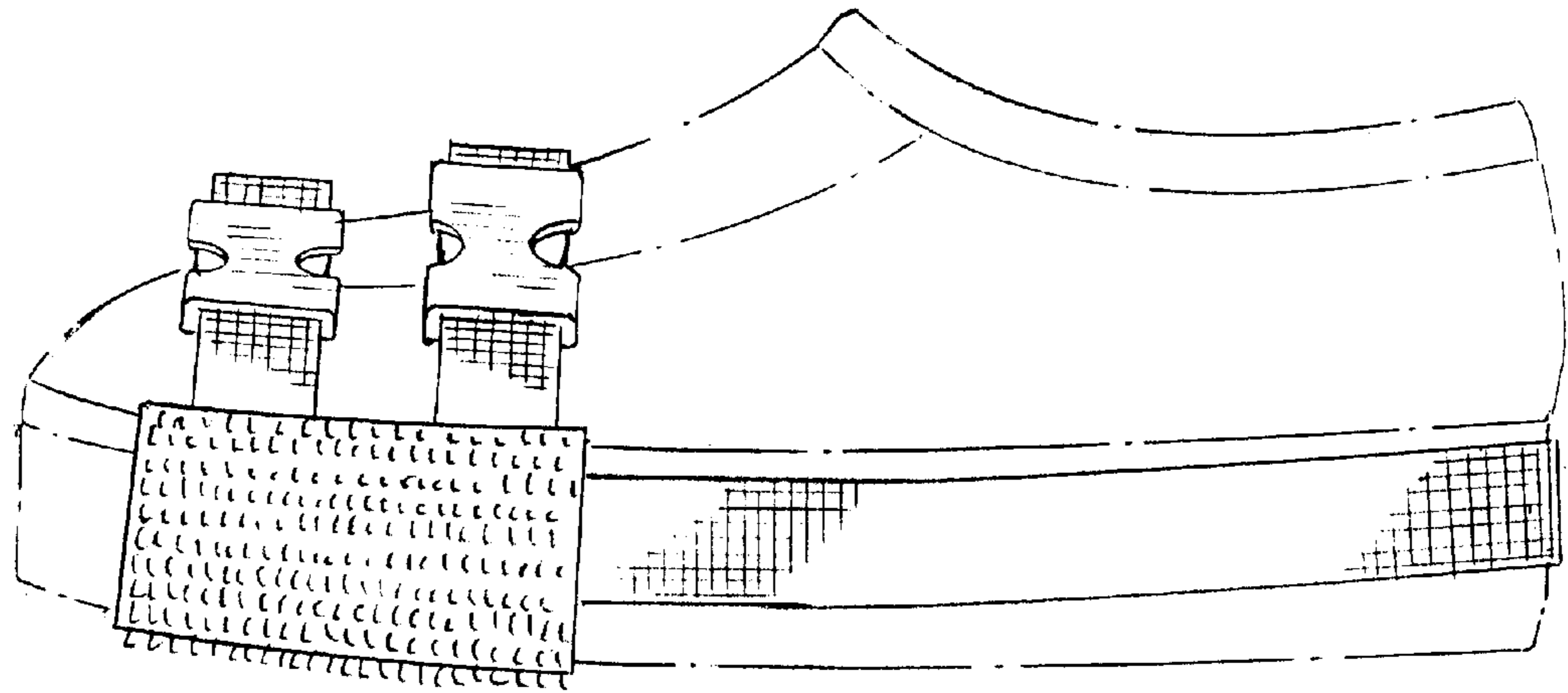


FIG. 1

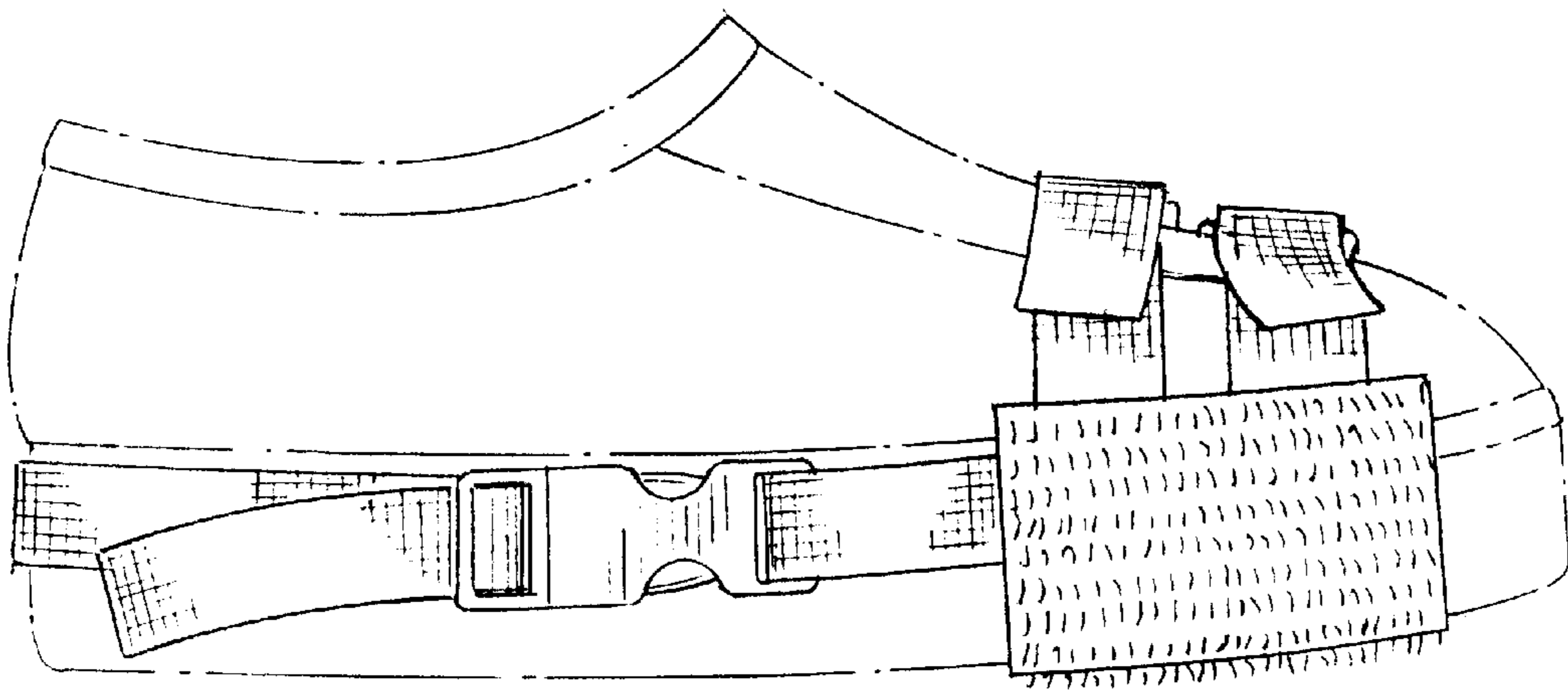


FIG. 2

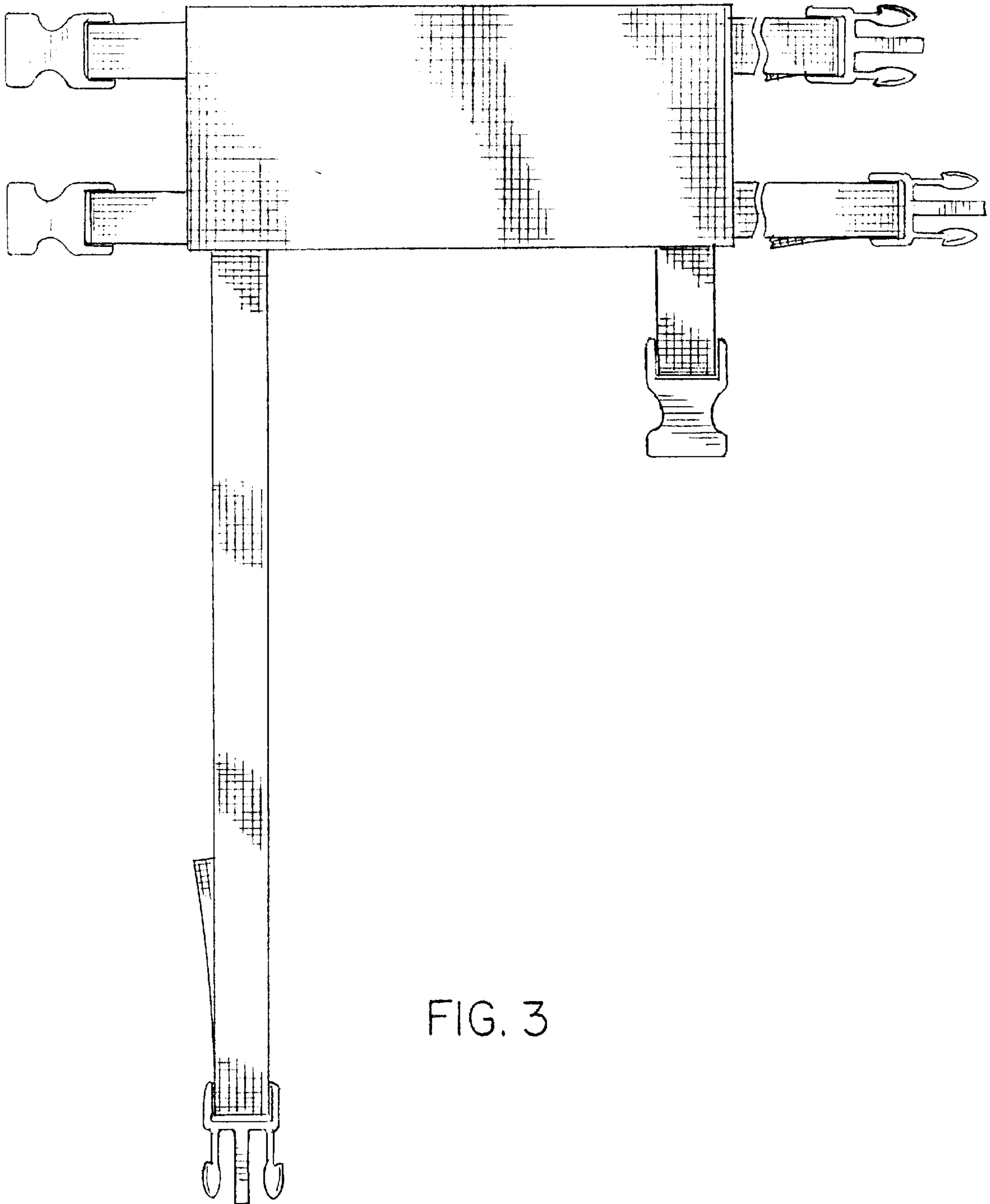


FIG. 3