



US00D479899S

(12) **United States Design Patent**  
**Hodge**

(10) **Patent No.:** **US D479,899 S**

(45) **Date of Patent:** **\*\* \*Sep. 23, 2003**

(54) **POWER WINCH**

(75) **Inventor:** **Stephen Ray Hodge**, North Plains, OR  
(US)

(73) **Assignee:** **Warn Industries, Inc.**, Milwaudie, OR  
(US)

(\* ) **Notice:** This patent is subject to a terminal disclaimer.

(\*\*) **Term:** **14 Years**

(21) **Appl. No.:** **29/158,766**

(22) **Filed:** **Apr. 9, 2002**

(51) **LOC (7) Cl.** ..... **12-05**

(52) **U.S. Cl.** ..... **D34/33**

(58) **Field of Search** ..... D34/28, 31, 35,  
D34/33; 254/264, 252, 382, 374, 356, 380,  
369; D8/14, 21, 28, 54; 294/182.11; 280/490.1

(56) **References Cited**

**U.S. PATENT DOCUMENTS**

1,550,114 A	*	8/1925	Simpson	.....	254/264
1,802,091 A	*	4/1931	Seaman	.....	254/264
D134,180 S	*	10/1942	Parker	.....	D34/33
D152,067 S	*	12/1948	Curtis	.....	D34/33
2,680,004 A	*	6/1954	Herker	.....	254/252
D188,729 S	*	8/1960	Hunt	.....	D34/33
D196,373 S	*	9/1963	Mullins	.....	D34/33
3,537,686 A	*	11/1970	McKendrick	.....	254/264

4,434,974 A	*	3/1984	LaCount	.....	254/380
D304,254 S	*	10/1989	Lyall et al.	.....	D34/33
D307,965 S	*	5/1990	Eley et al.	.....	D34/33
D309,969 S	*	8/1990	Tamura	.....	D34/33
5,522,582 A	*	6/1996	Dilks	.....	254/362
D389,978 S	*	1/1998	Sondergeld, Jr.	.....	D34/33
D411,364 S	*	6/1999	Sasaki et al.	.....	D34/33
6,073,917 A	*	6/2000	Plummer	.....	254/374
D459,048 S	*	6/2002	Leemans	.....	D34/33

\* cited by examiner

*Primary Examiner*—Cynthia E. Ramirez  
(74) *Attorney, Agent, or Firm*—Harness, Dickey & Pierce, P.L.C.

(57) **CLAIM**

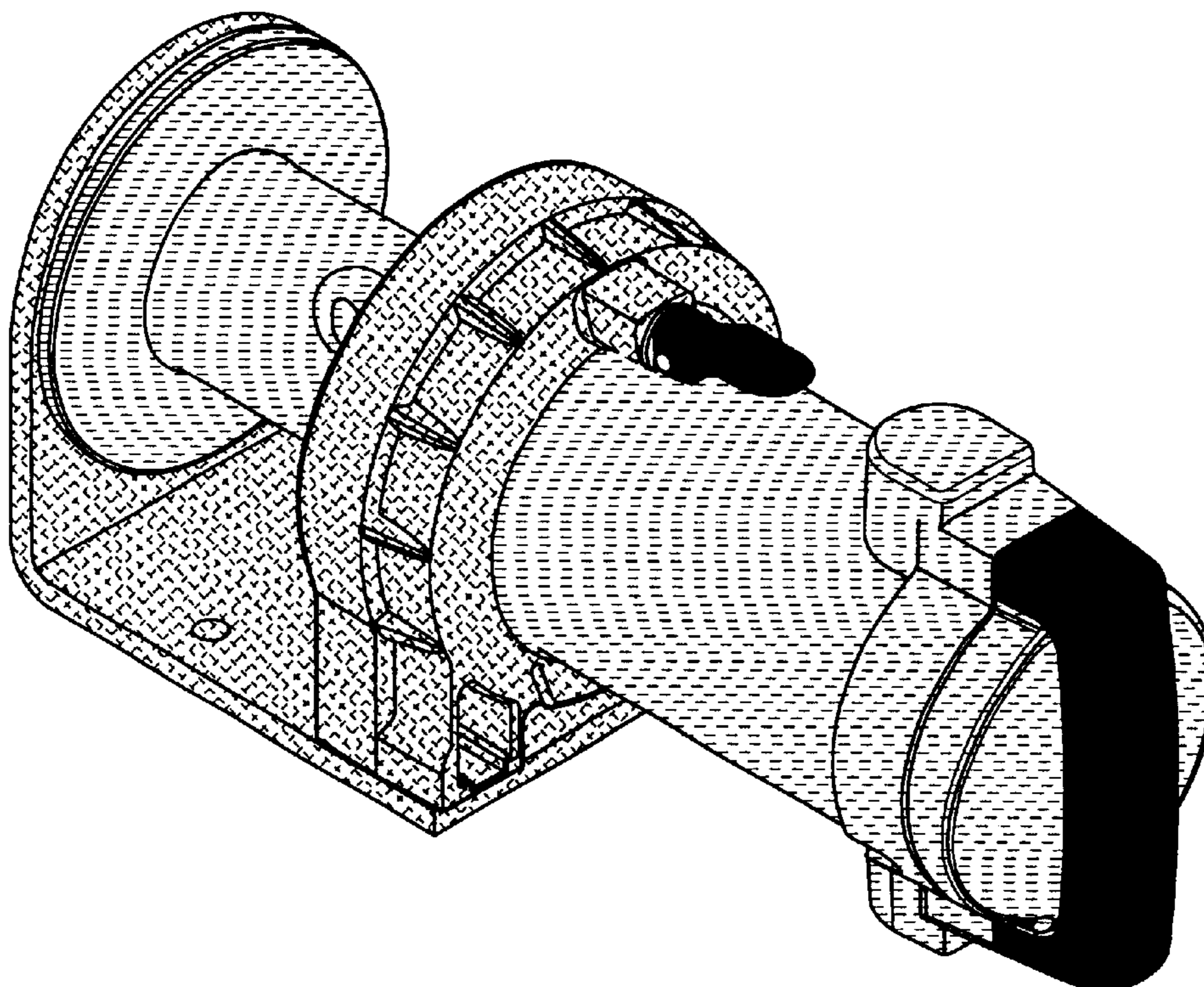
The ornamental design for a power winch, as shown and described.

**DESCRIPTION**

FIG. 1 is a perspective view of a power winch showing our new design;  
FIG. 2 is an end view thereof;  
FIG. 3 is an opposite end view thereof;  
FIG. 4 is a top view thereof;  
FIG. 5 is a side view thereof;  
FIG. 6 is an opposite side view thereof; and,  
FIG. 7 is a bottom view thereof.

The drawings are lined for color, the colors as indicated being orange, gray, silver and black.

**1 Claim, 2 Drawing Sheets**





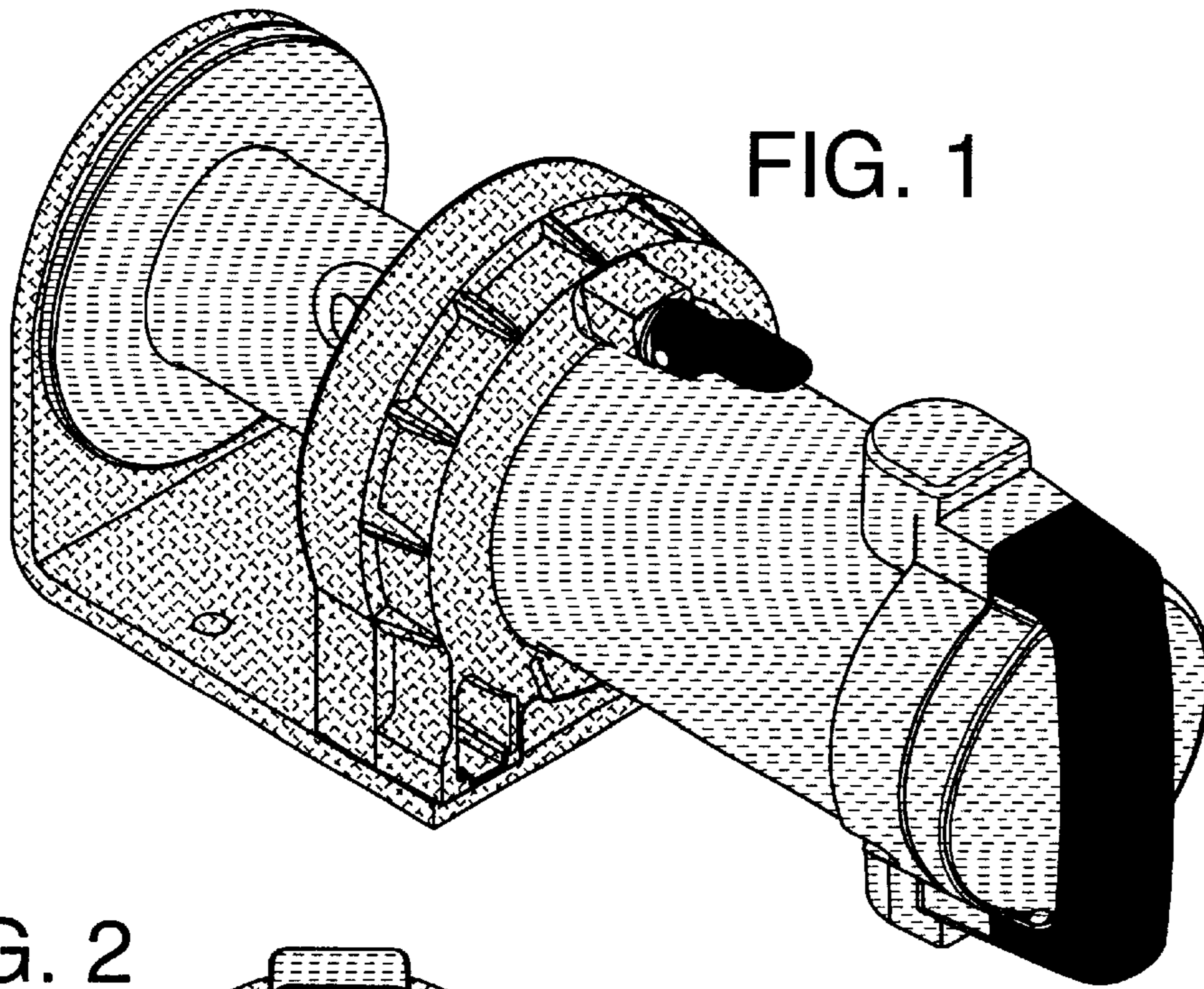


FIG. 1

FIG. 2

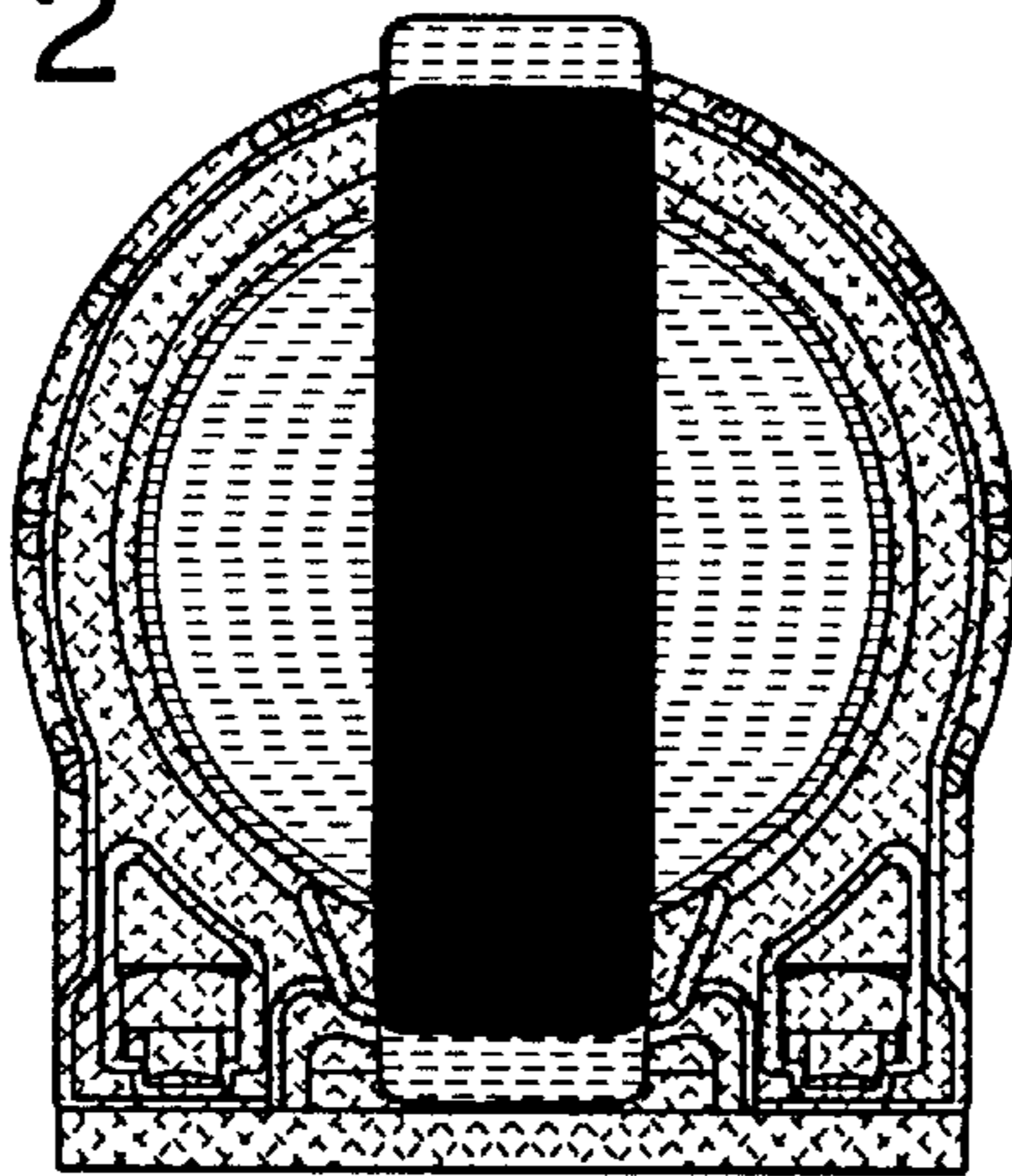


FIG. 3

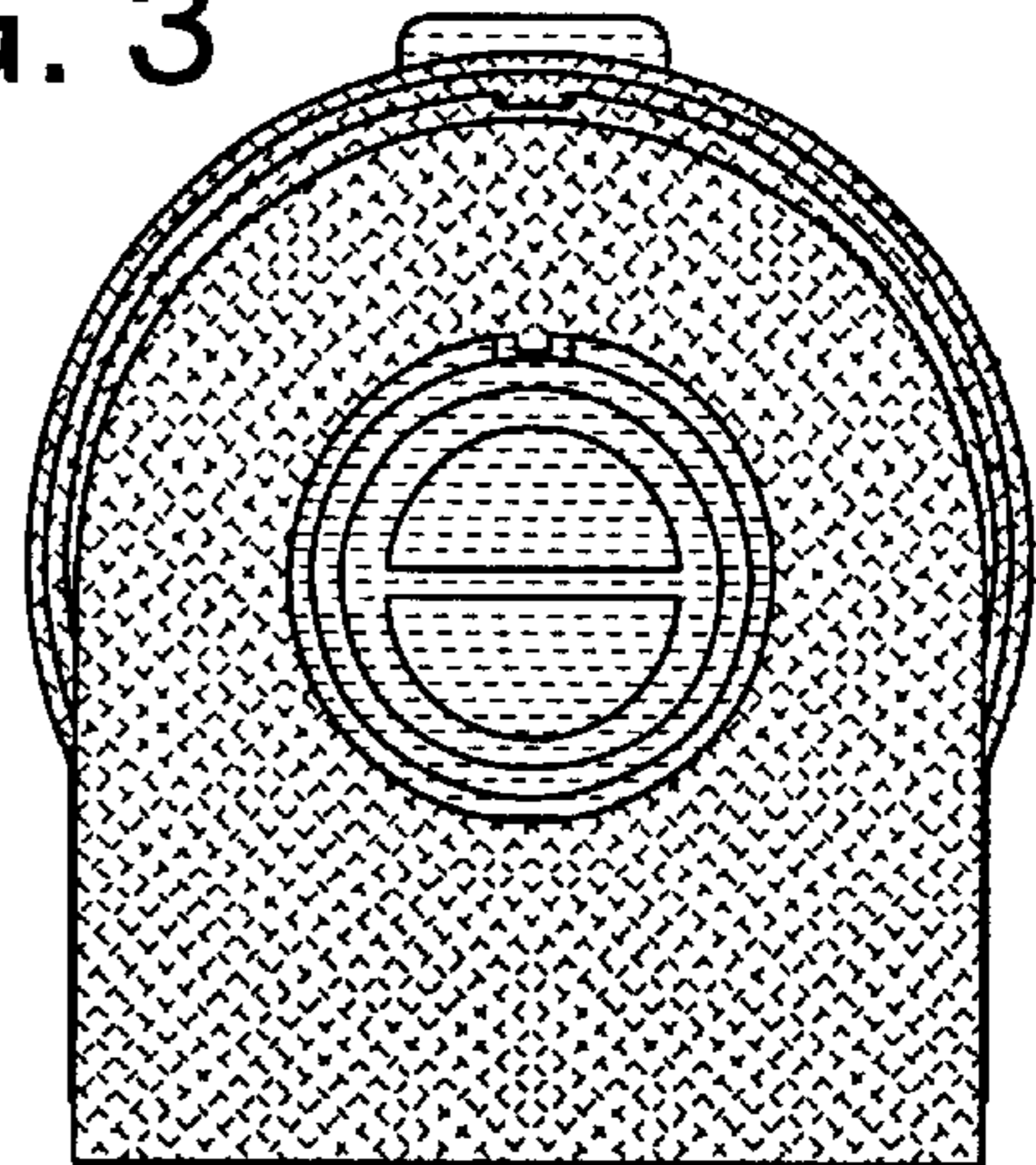


FIG. 4

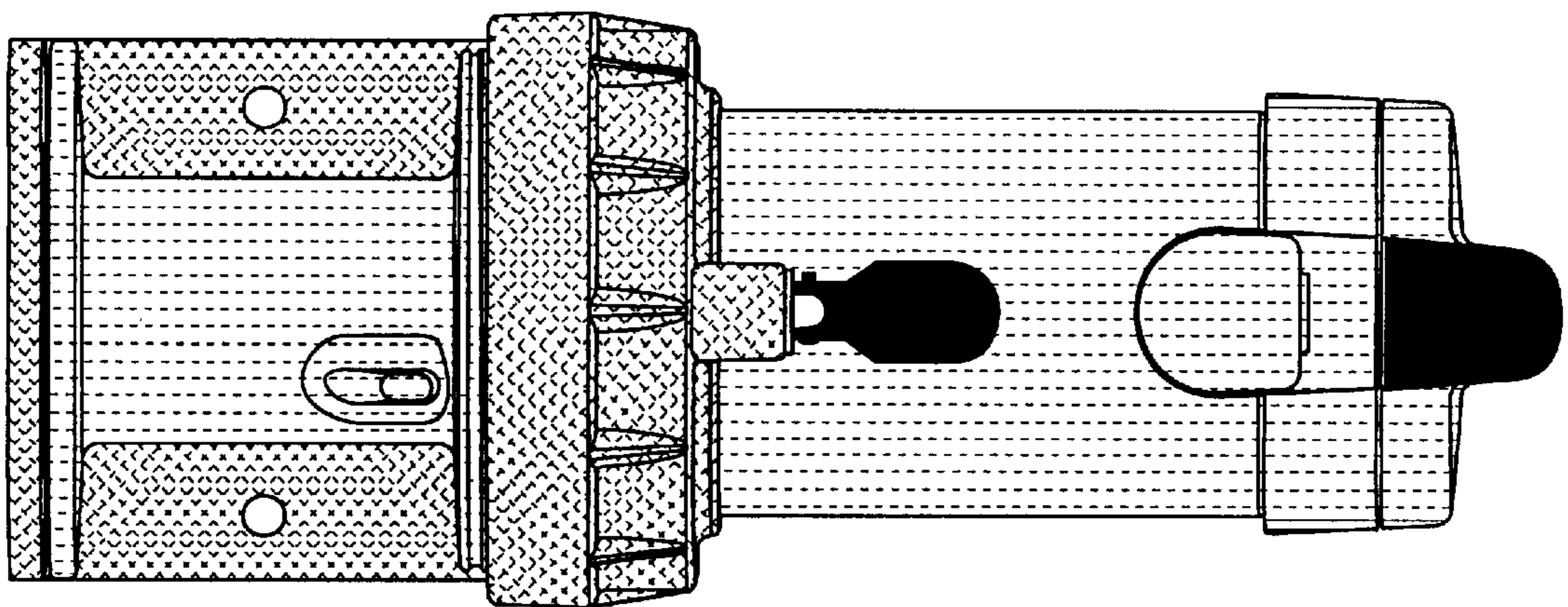




FIG. 5

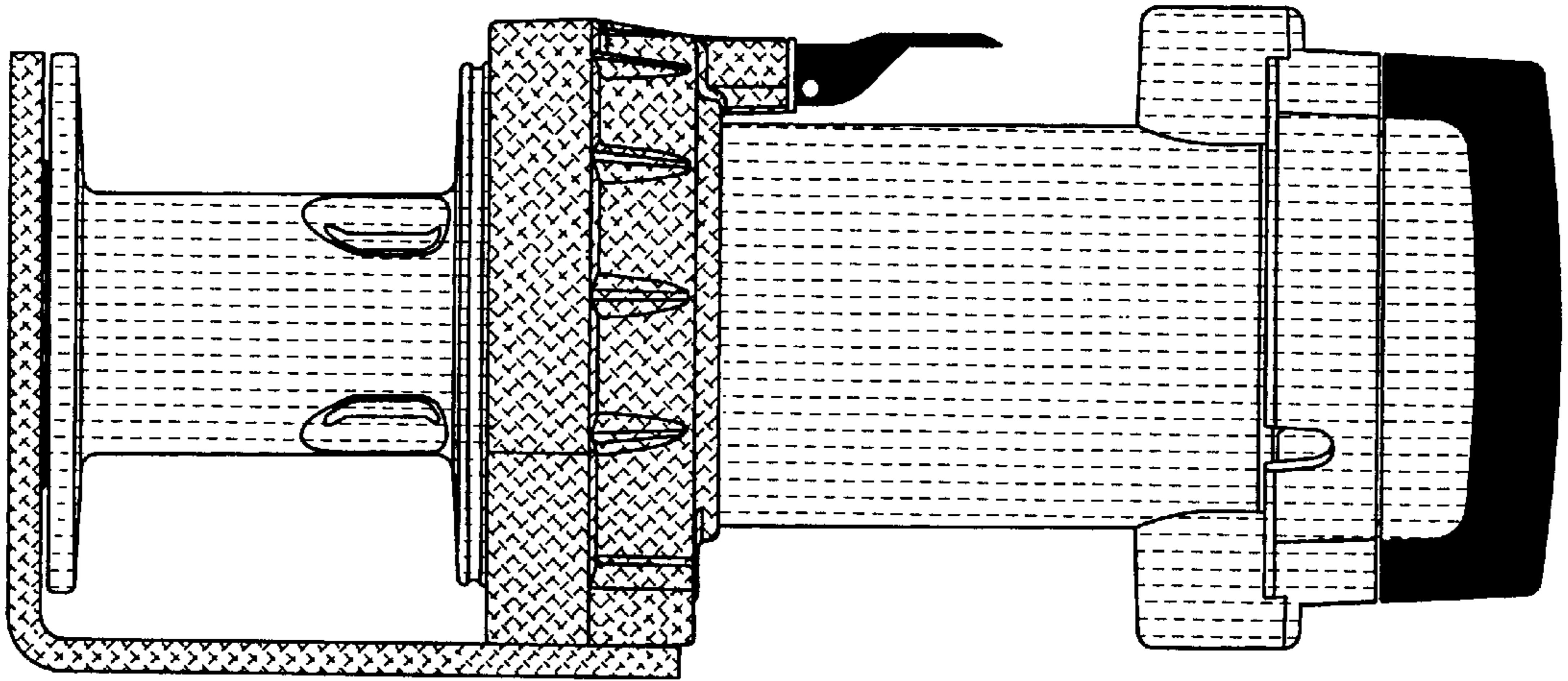


FIG. 6

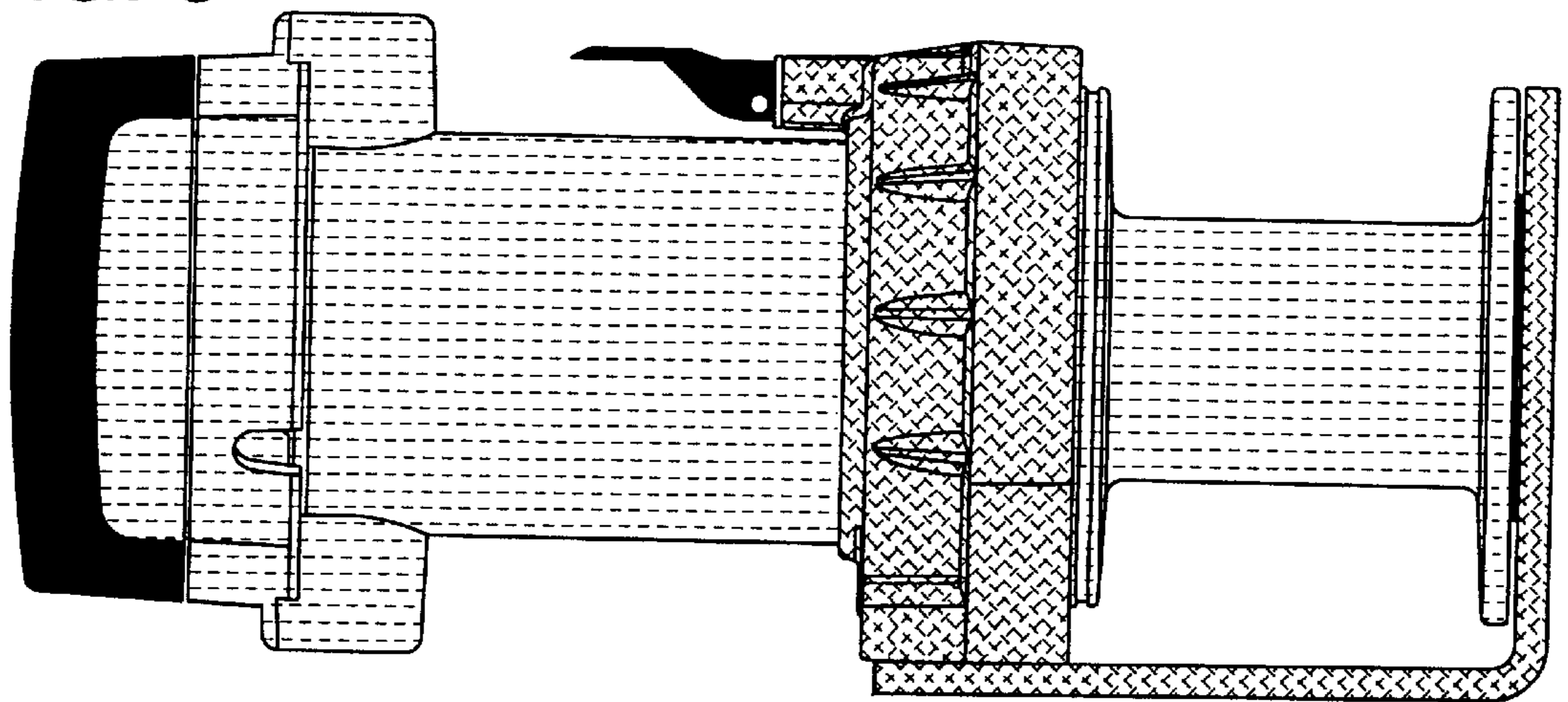
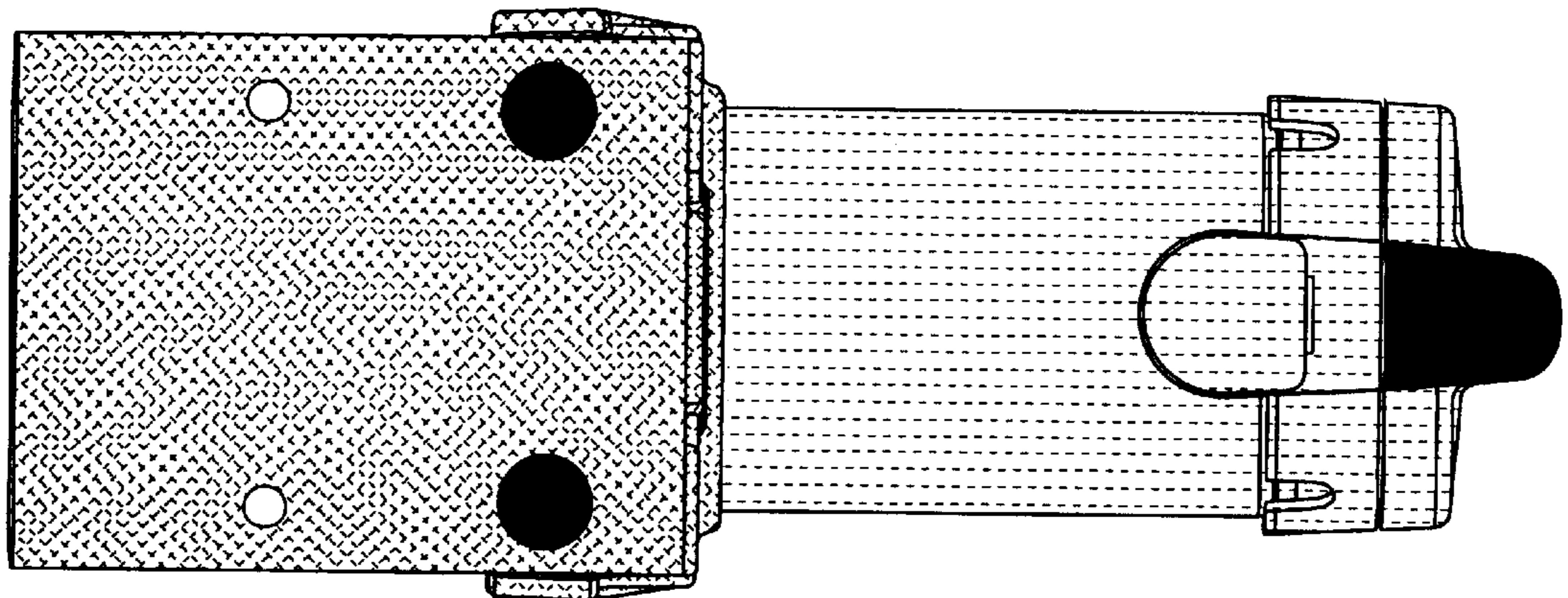


FIG. 7



UNITED STATES PATENT AND TRADEMARK OFFICE  
**CERTIFICATE OF CORRECTION**

PATENT NO. : Des. 479,899 S  
APPLICATION NO. : 29/158766  
DATED : September 23, 2003  
INVENTOR(S) : Stephen Ray Hodge

Page 1 of 1

It is certified that error appears in the above-identified patent and that said Letters Patent is hereby corrected as shown below:

In the Assignee's information on Title page (73), the city should be --Milwaukie--.

Signed and Sealed this

Ninth Day of January, 2007

A handwritten signature in black ink on a dotted background. The signature reads "Jon W. Dudas" in a cursive style.

JON W. DUDAS

*Director of the United States Patent and Trademark Office*