



US00D479898S

(12) **United States Design Patent**
Scola

(10) **Patent No.:** **US D479,898 S**

(45) **Date of Patent:** **** Sep. 23, 2003**

(54) **LAUNDRY TOTE**

(76) **Inventor:** **Vito A. Scola**, 137 Apple Gate Rd.,
Cranston, RI (US) 02920

(**) **Term:** **14 Years**

(21) **Appl. No.:** **29/165,558**

(22) **Filed:** **Aug. 13, 2002**

(51) **LOC (7) Cl.** **08-99**

(52) **U.S. Cl.** **D32/36; D3/278; D3/289;**
D3/301

(58) **Field of Search** **D3/278, 289, 291,**
D3/301; D32/36, 37; 190/107, 115, 903;
383/21, 23, 25, 61.3, 104; 220/915.1, 915.2;
232/1 B; 206/287

(56) **References Cited**

U.S. PATENT DOCUMENTS

- 2,584,722 A * 2/1952 London 206/287
- 4,126,213 A * 11/1978 McDonald 190/107
- 4,773,585 A * 9/1988 Lehrman 232/1 B
- D406,423 S * 3/1999 Kellogg et al. D32/37

- D411,918 S * 7/1999 Neuman D3/289
- D437,483 S * 2/2001 Bisbal et al. D3/289 X

* cited by examiner

Primary Examiner—Alan P. Douglas

Assistant Examiner—Lavone D. Tabor

(74) *Attorney, Agent, or Firm*—Salter & Michaelson

(57) **CLAIM**

The ornamental design for a laundry tote, as shown and described.

DESCRIPTION

FIG. 1 is a perspective view of a laundry tote showing my new design;

FIG. 2 is a top plan view thereof;

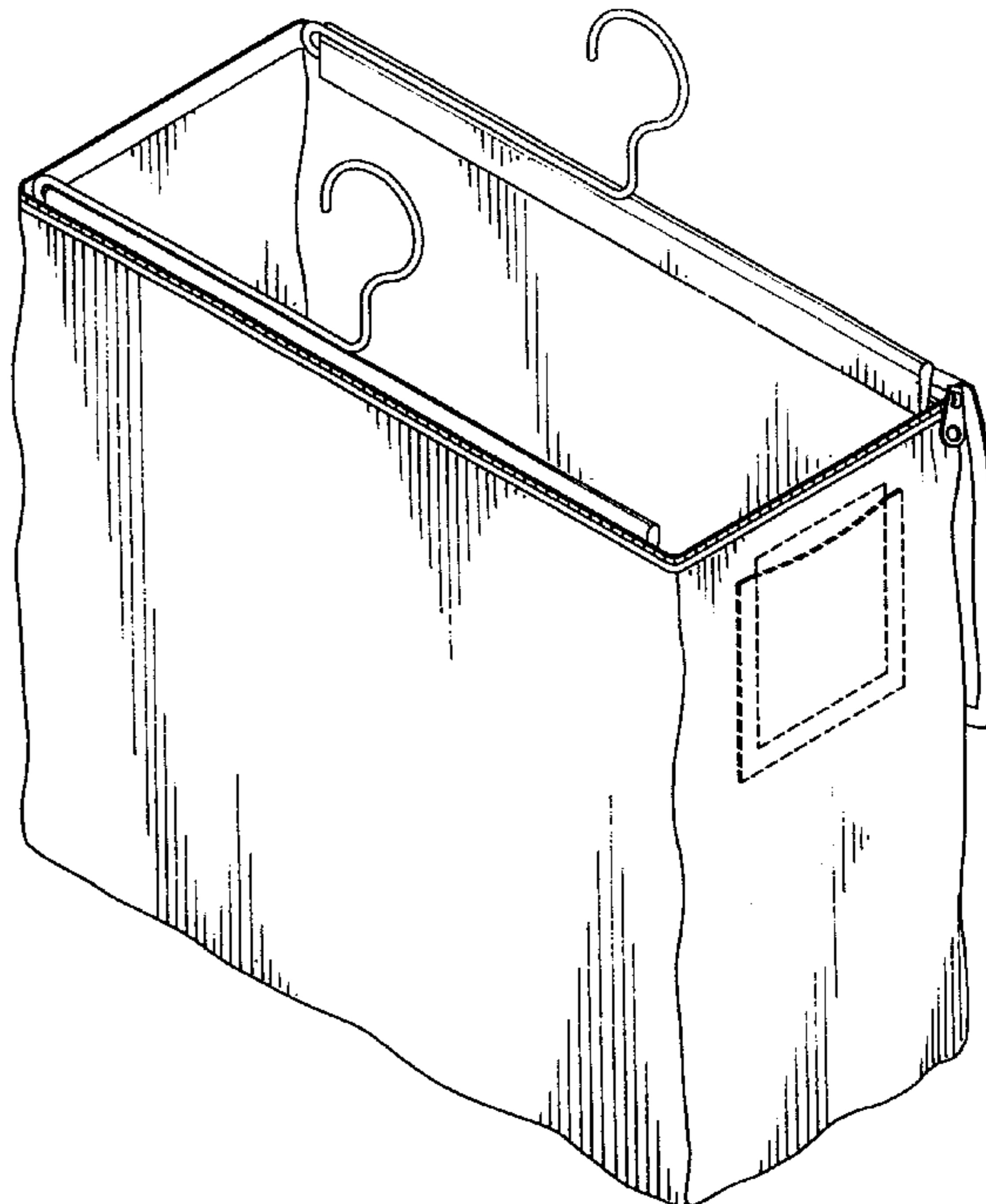
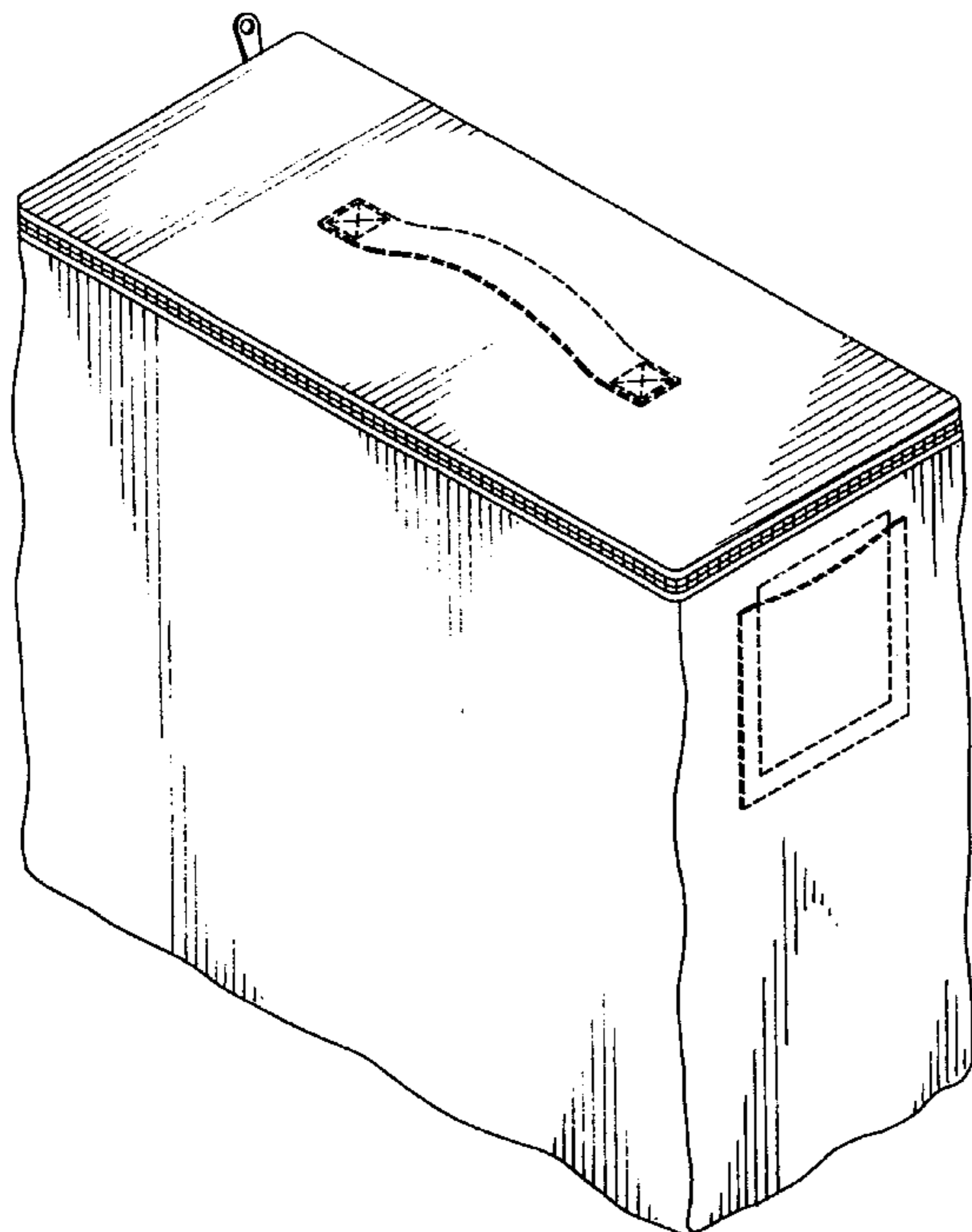
FIG. 3 is a left side elevational view thereof; and,

FIG. 4 is a perspective showing the laundry tote in an open position.

The right side, front, rear and bottom portions of the article not shown form no part of the claimed design.

The portions shown in broken lines are included for illustrative purposes only and form no part of the claimed design.

1 Claim, 3 Drawing Sheets



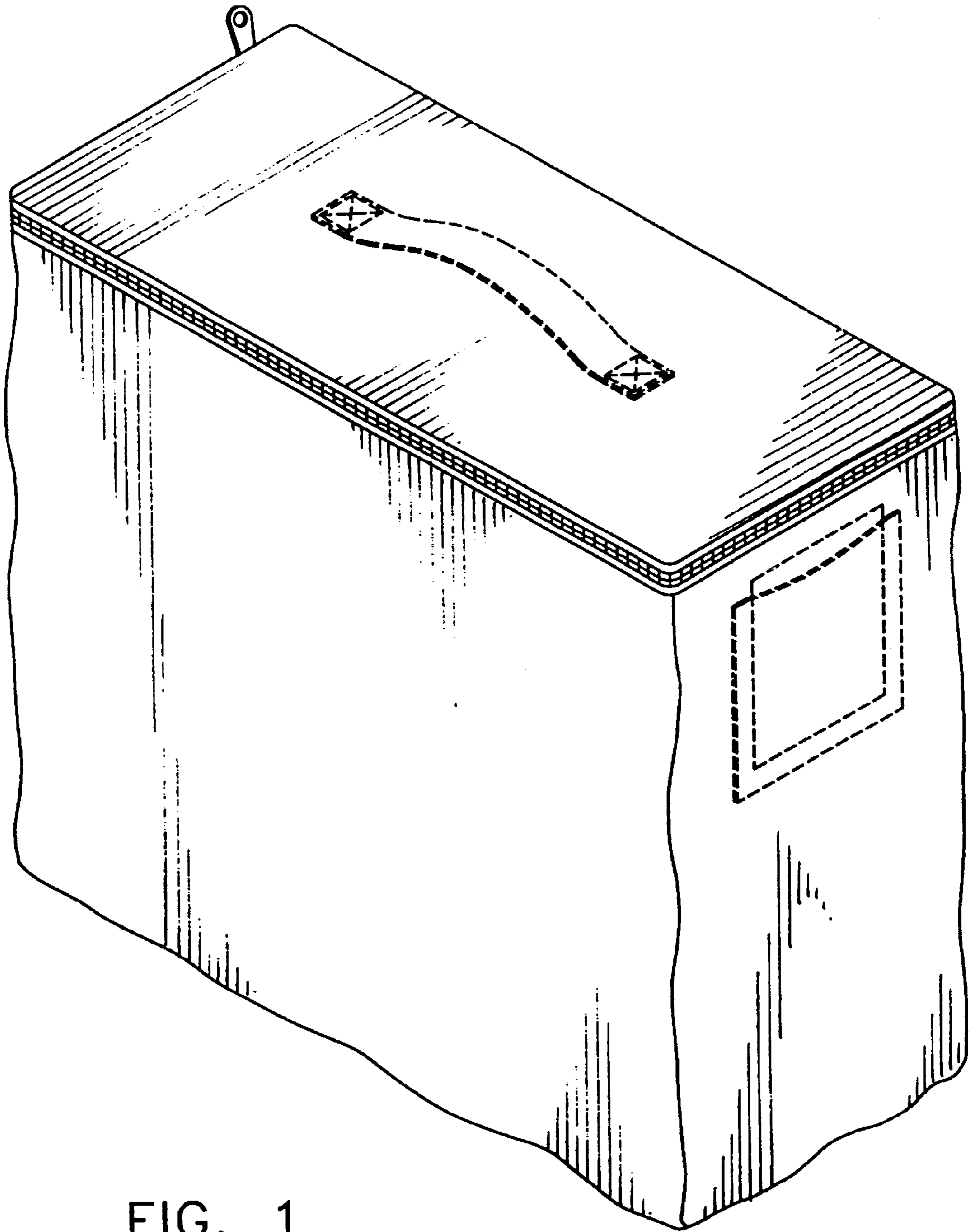


FIG. 1

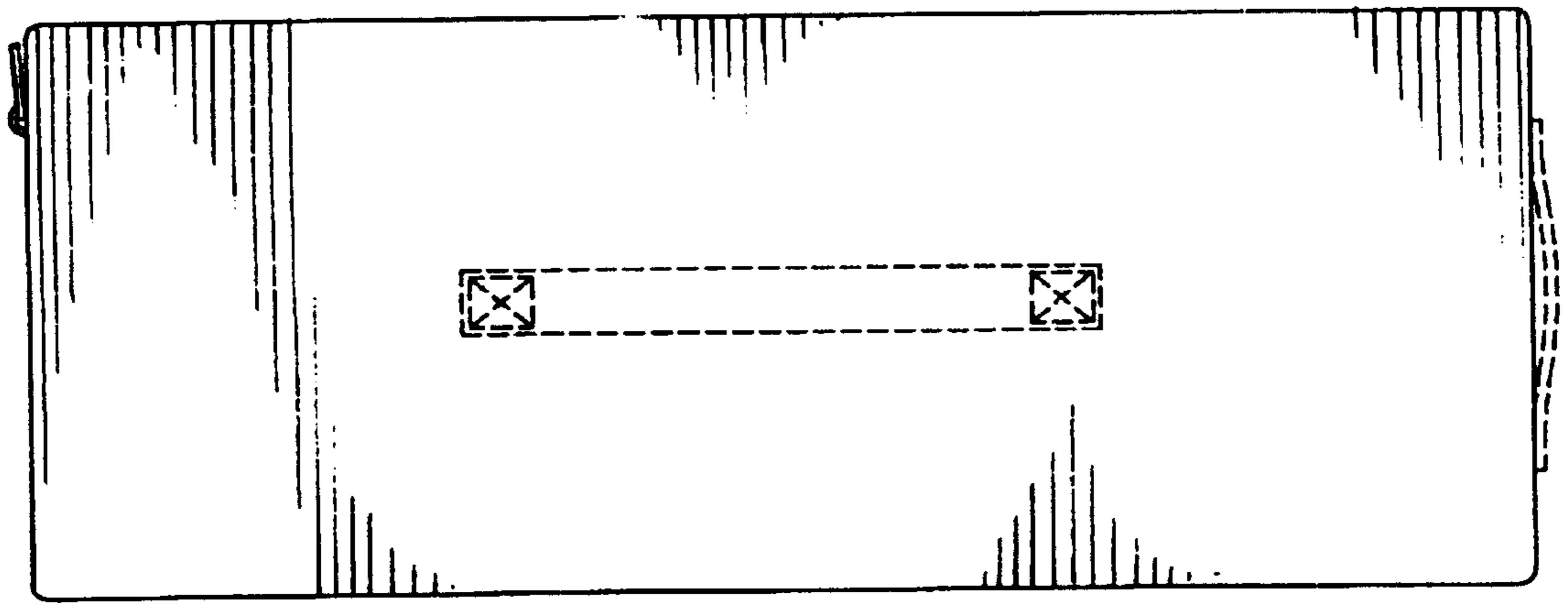


FIG. 2

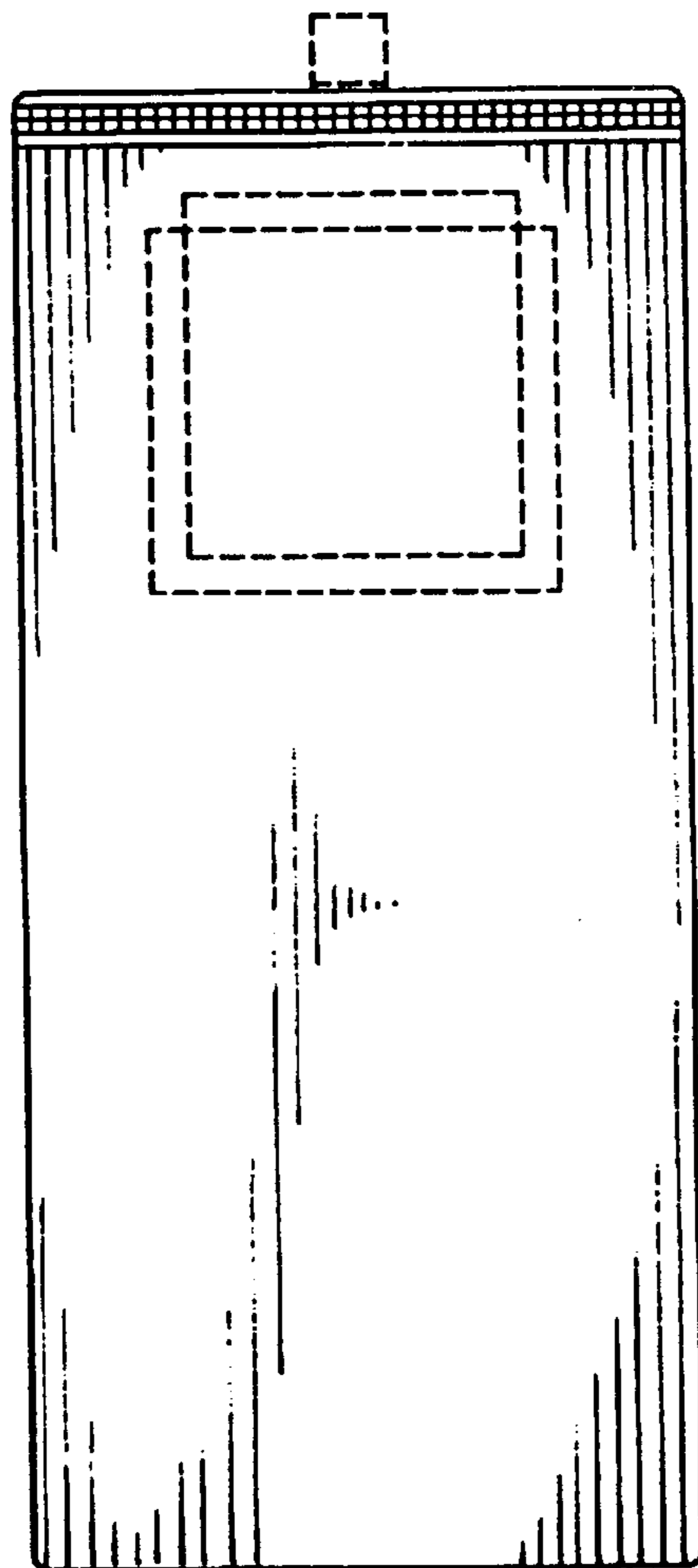


FIG. 3

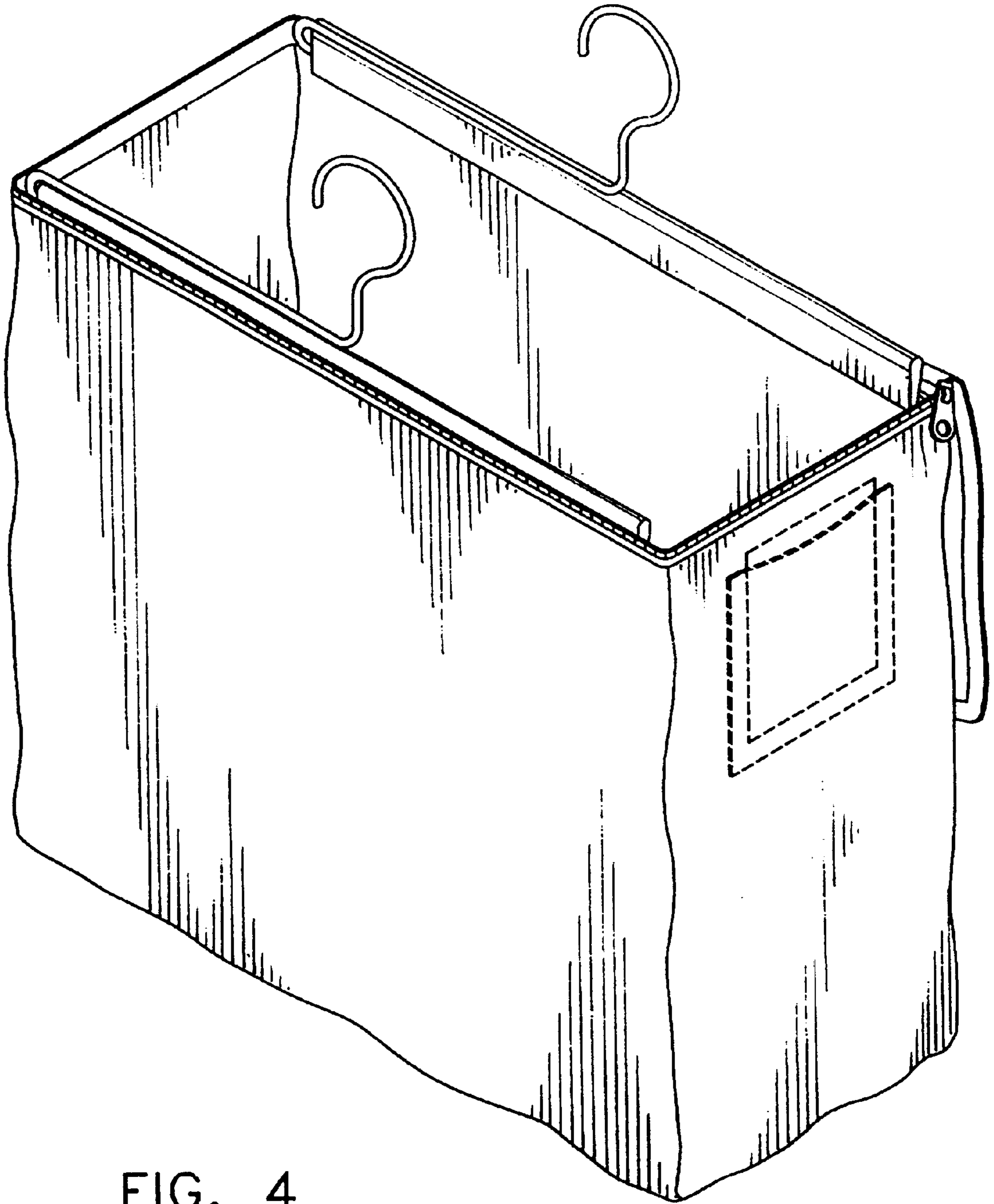


FIG. 4