



US00D479893S

(12) **United States Design Patent**  
**Baarman et al.**

(10) **Patent No.:** **US D479,893 S**

(45) **Date of Patent:** **\*\* Sep. 23, 2003**

(54) **LAMP**

D245,285 S \* 8/1977 Whitesel ..... D26/104  
D383,242 S \* 9/1997 Reese ..... D26/110

(75) Inventors: **David W. Baarman**, Fennville, MI (US); **Stephen J. McPhilliamy**, Chicago, IL (US); **Christopher B. Houghton**, Chicago, IL (US)

\* cited by examiner

(73) Assignee: **Access Business Group International LLC**, Ada, MI (US)

*Primary Examiner*—Pamela Burgess  
*Assistant Examiner*—Linda Brooks  
(74) *Attorney, Agent, or Firm*—Warner Norcross & Judd LLP

(\*\*) Term: **14 Years**

(57) **CLAIM**

(21) Appl. No.: **29/165,044**

The ornamental design for a lamp, as shown and described.

(22) Filed: **Aug. 2, 2002**

**DESCRIPTION**

(51) **LOC (7) Cl.** ..... **26-03**

(52) **U.S. Cl.** ..... **D26/111**

(58) **Field of Search** ..... D26/51, 55, 58,  
D26/93, 102, 104, 106, 110, 111, 112, 142-144,  
148-150, 153; D6/399, 405; 108/23, 50.11;  
362/97, 101, 125, 154, 184, 363, 209, 252,  
410-414; 211/14, 71.01, 74

FIG. 1 is a perspective view of the lamp embodying the new design;

FIG. 2 is a front elevational view thereof;

FIG. 3 is a rear elevational view thereof;

FIG. 4 is a right side elevational view thereof;

FIG. 5 is a left side elevational view thereof;

FIG. 6 is a top plan view thereof; and,

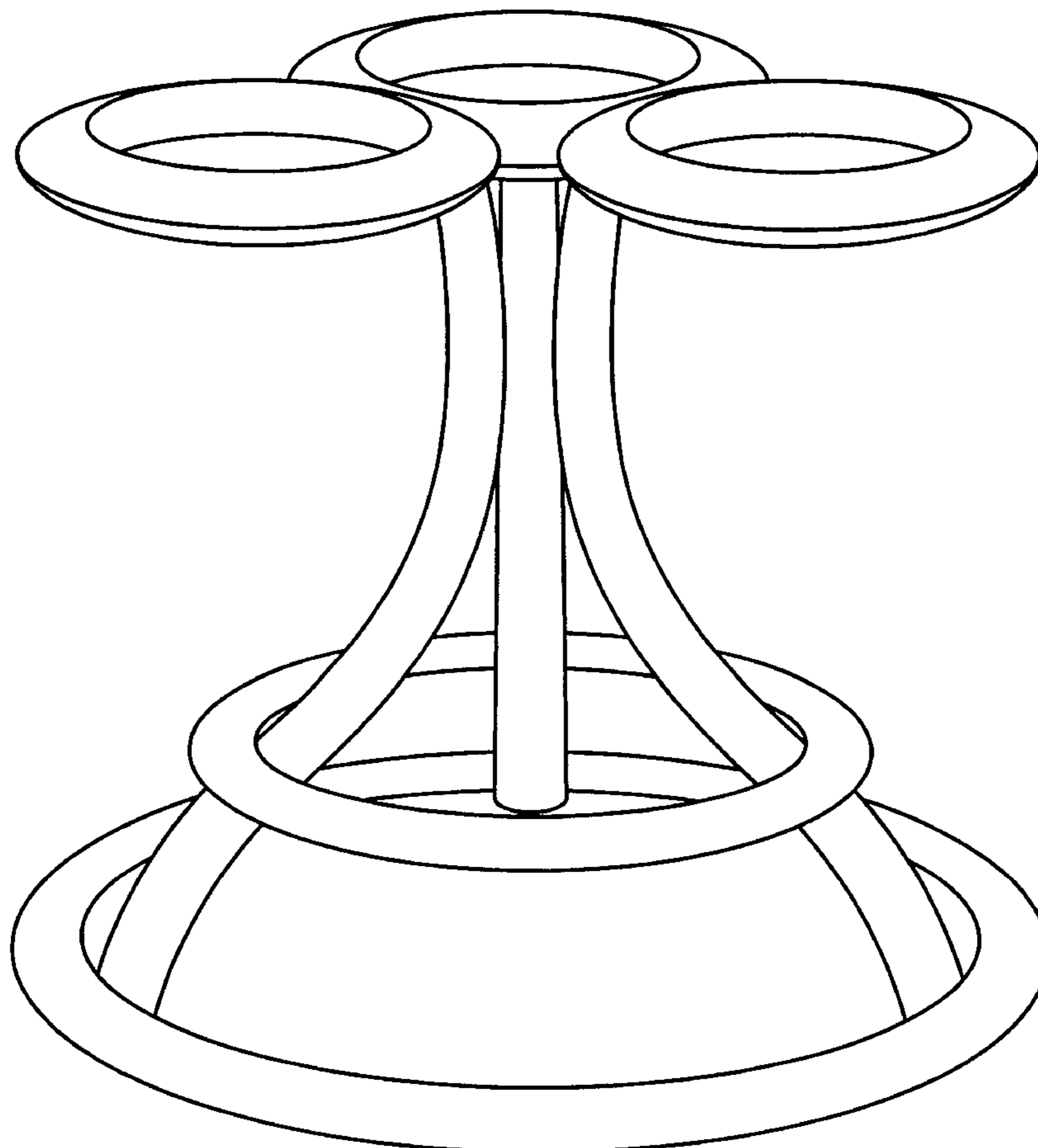
FIG. 7 is a bottom plan view thereof.

(56) **References Cited**

**U.S. PATENT DOCUMENTS**

D129,636 S \* 9/1941 Dreyfuss ..... D6/399

**1 Claim, 7 Drawing Sheets**



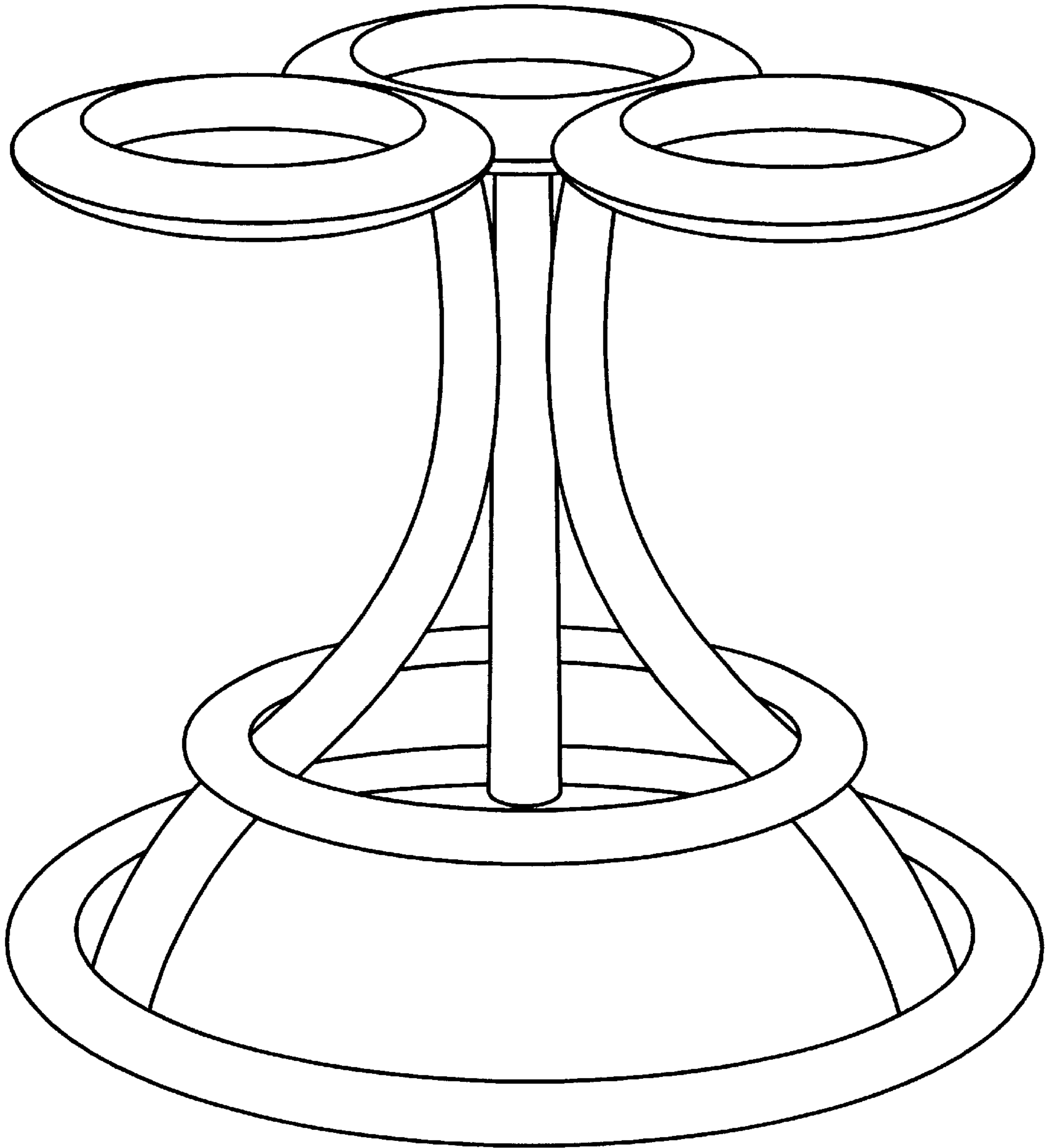


Fig. 1

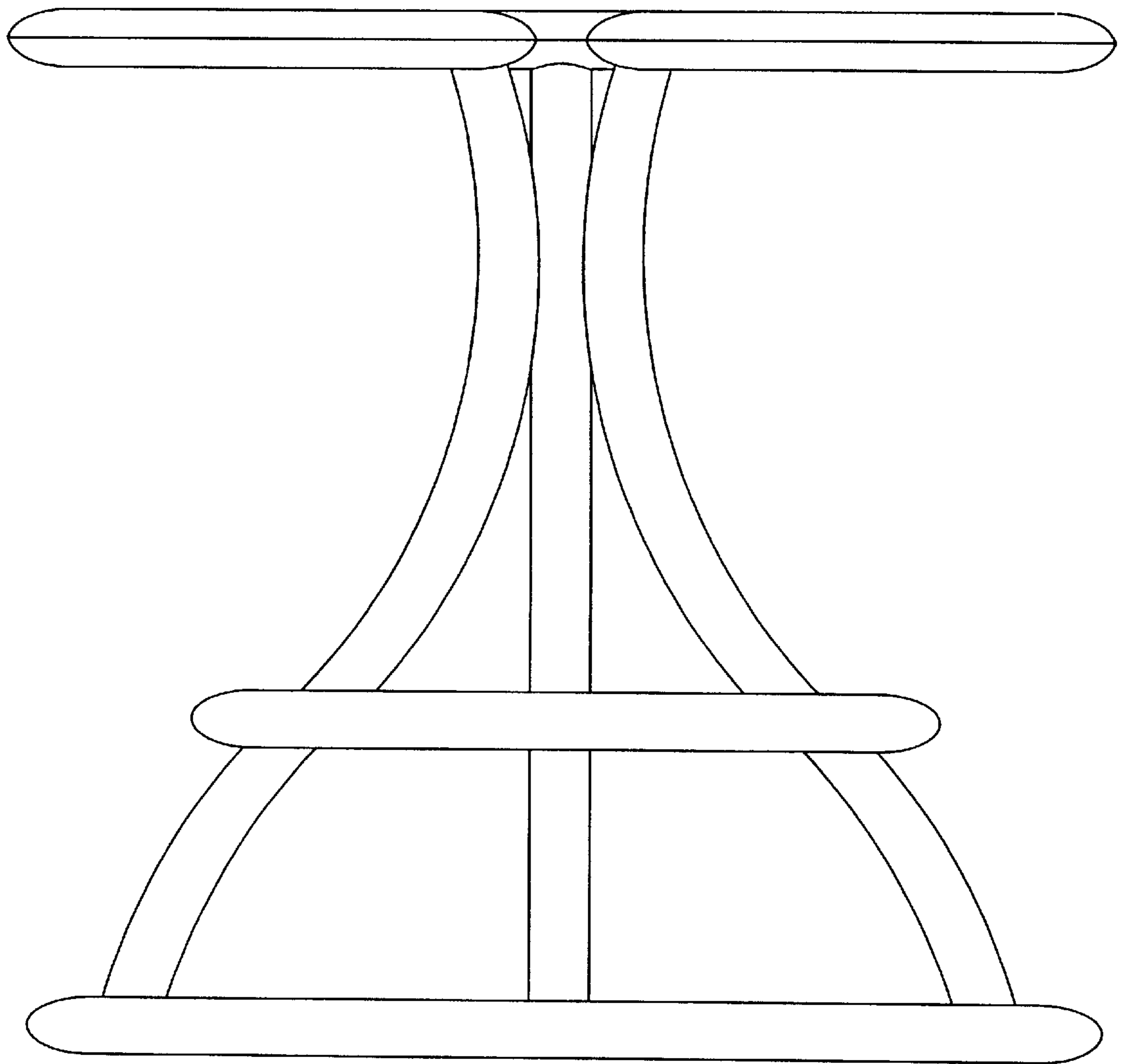


Fig. 2

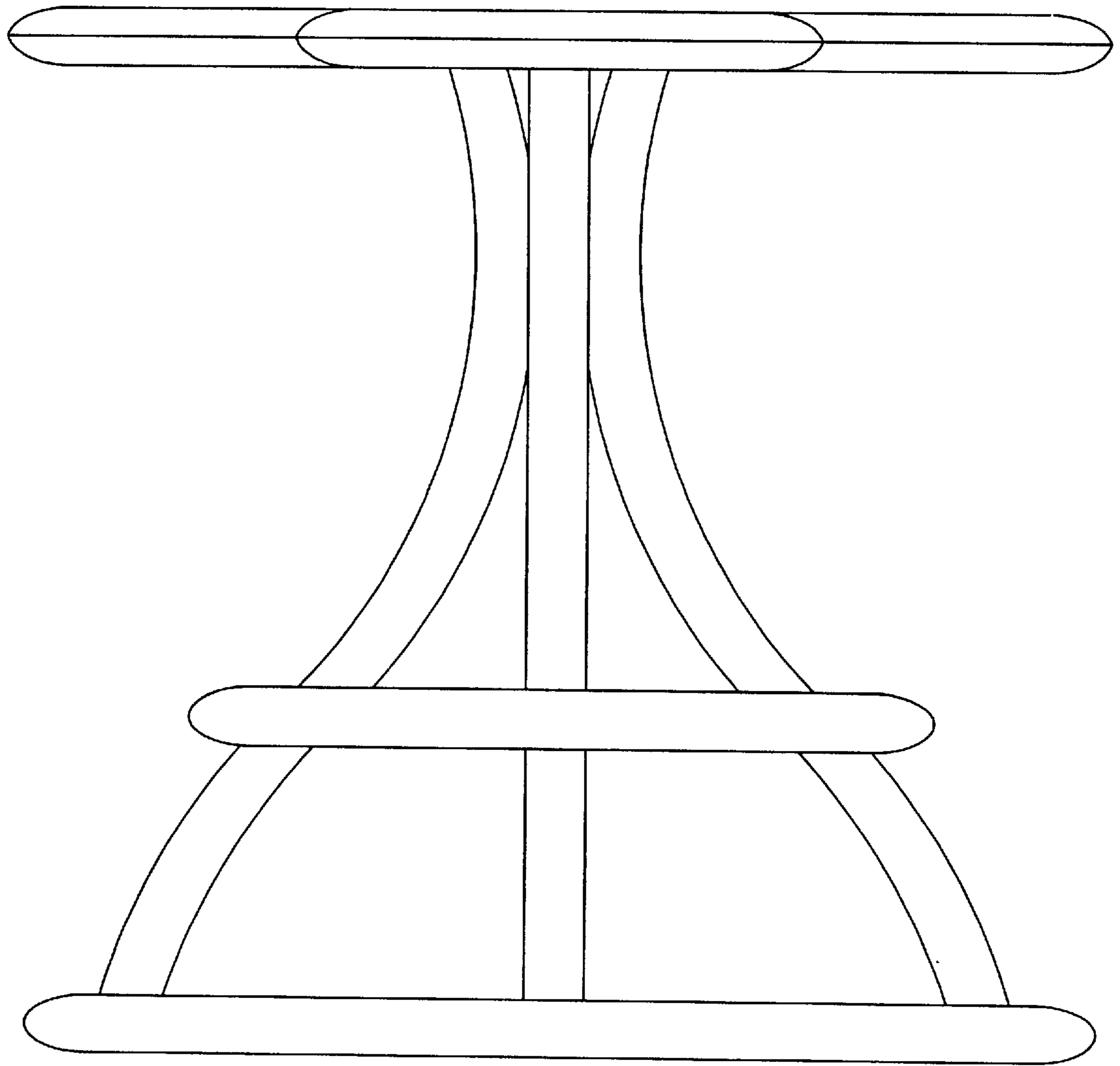


Fig. 3

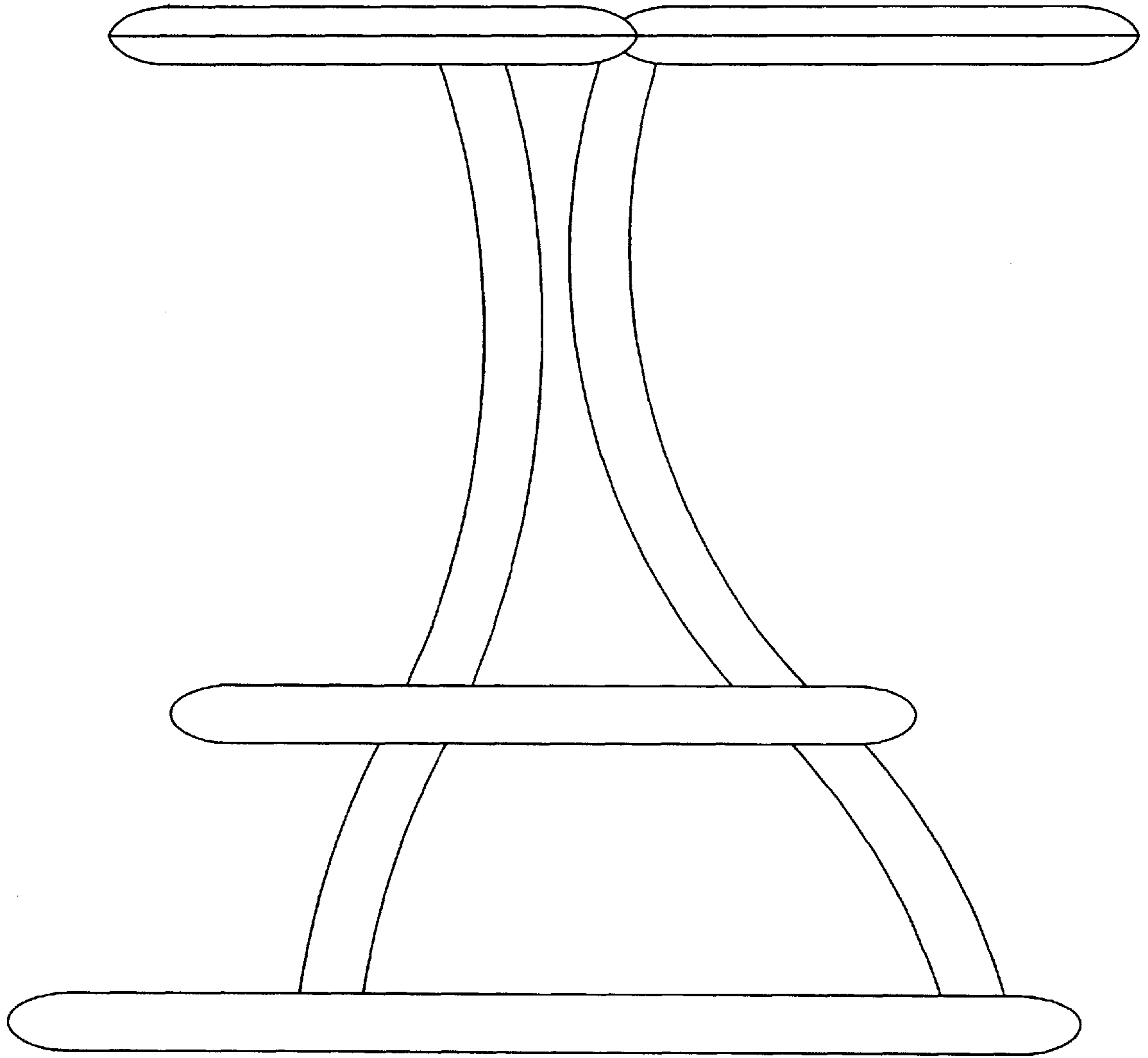


Fig. 4

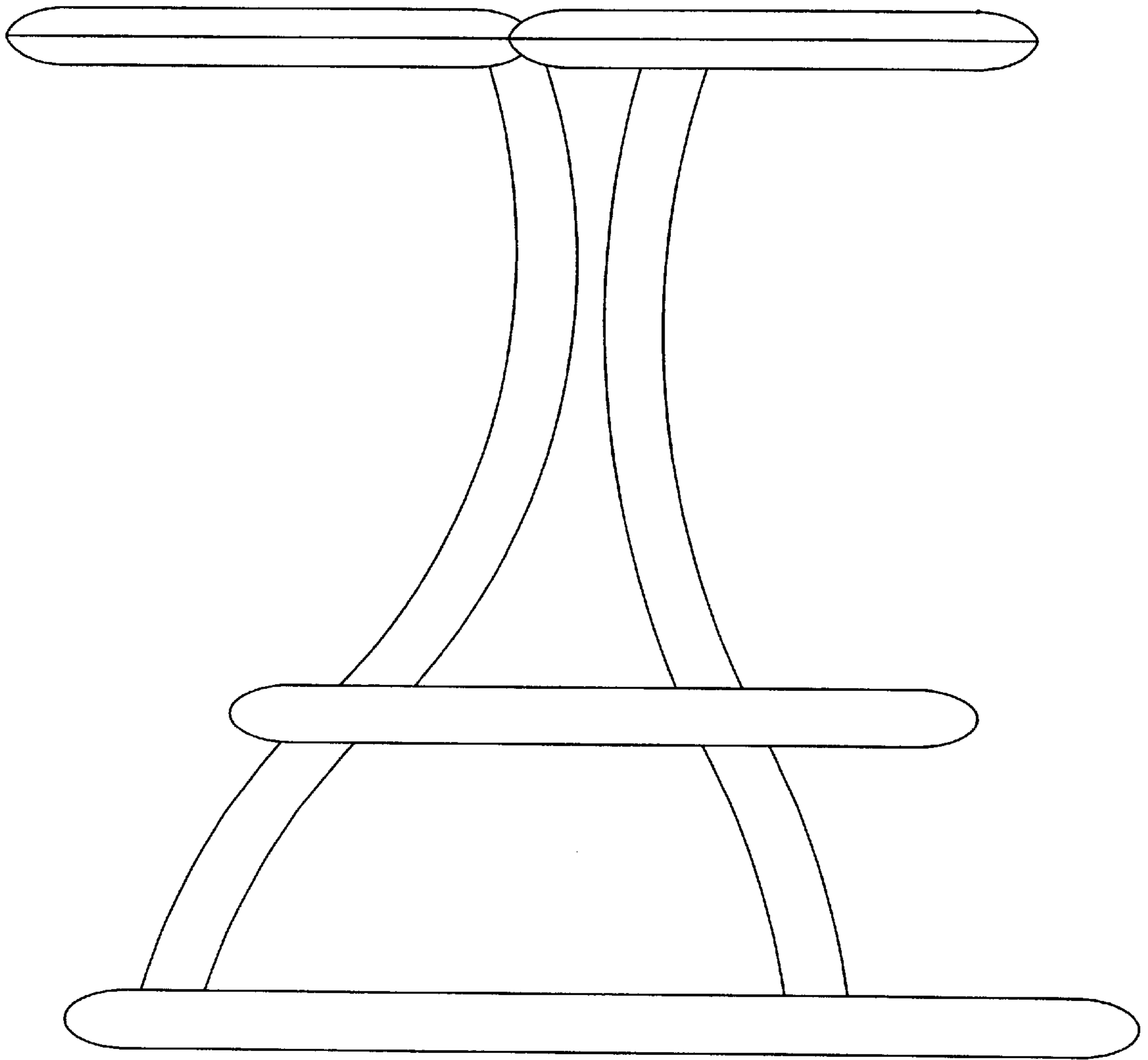


Fig. 5

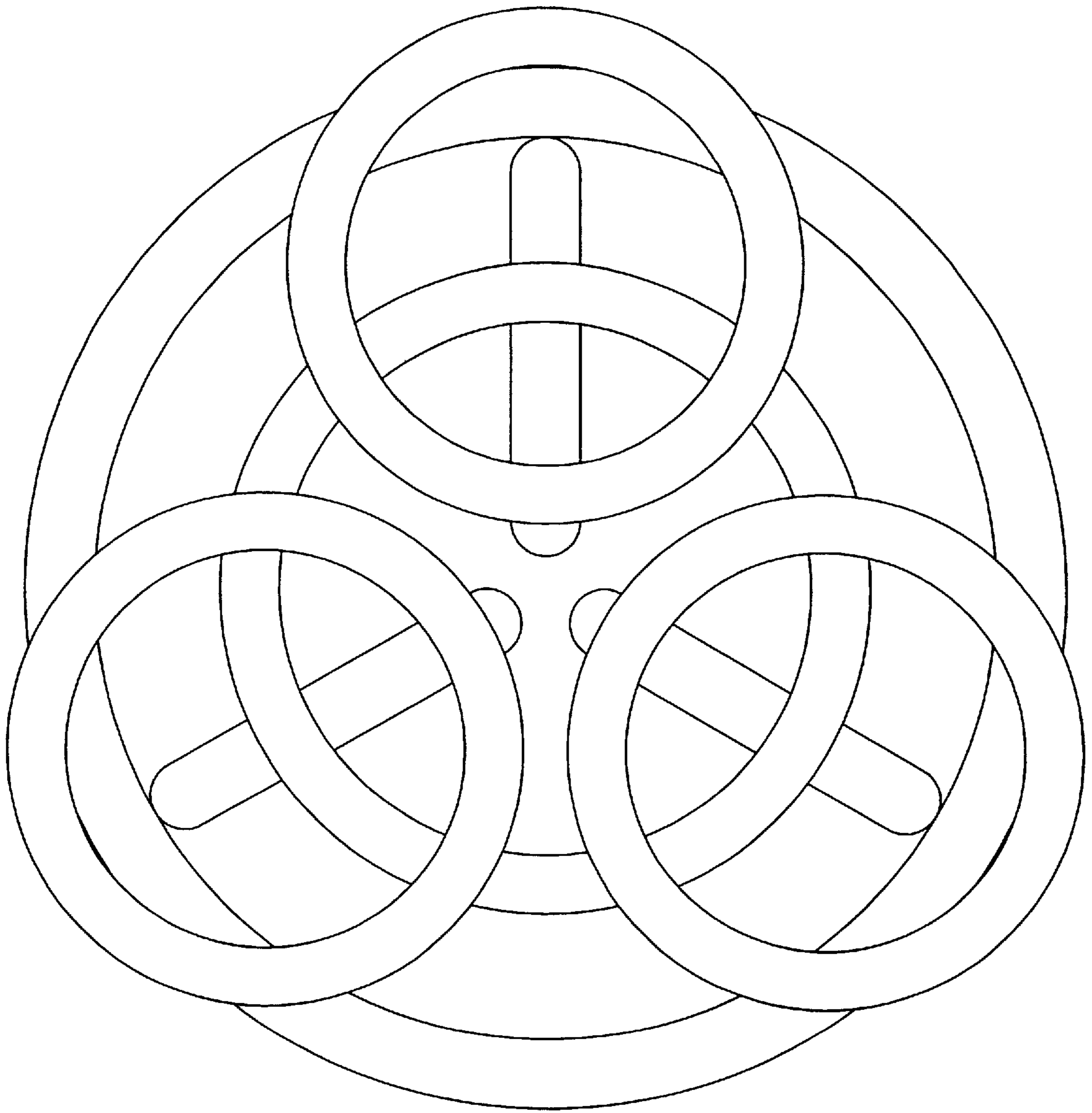


Fig. 6

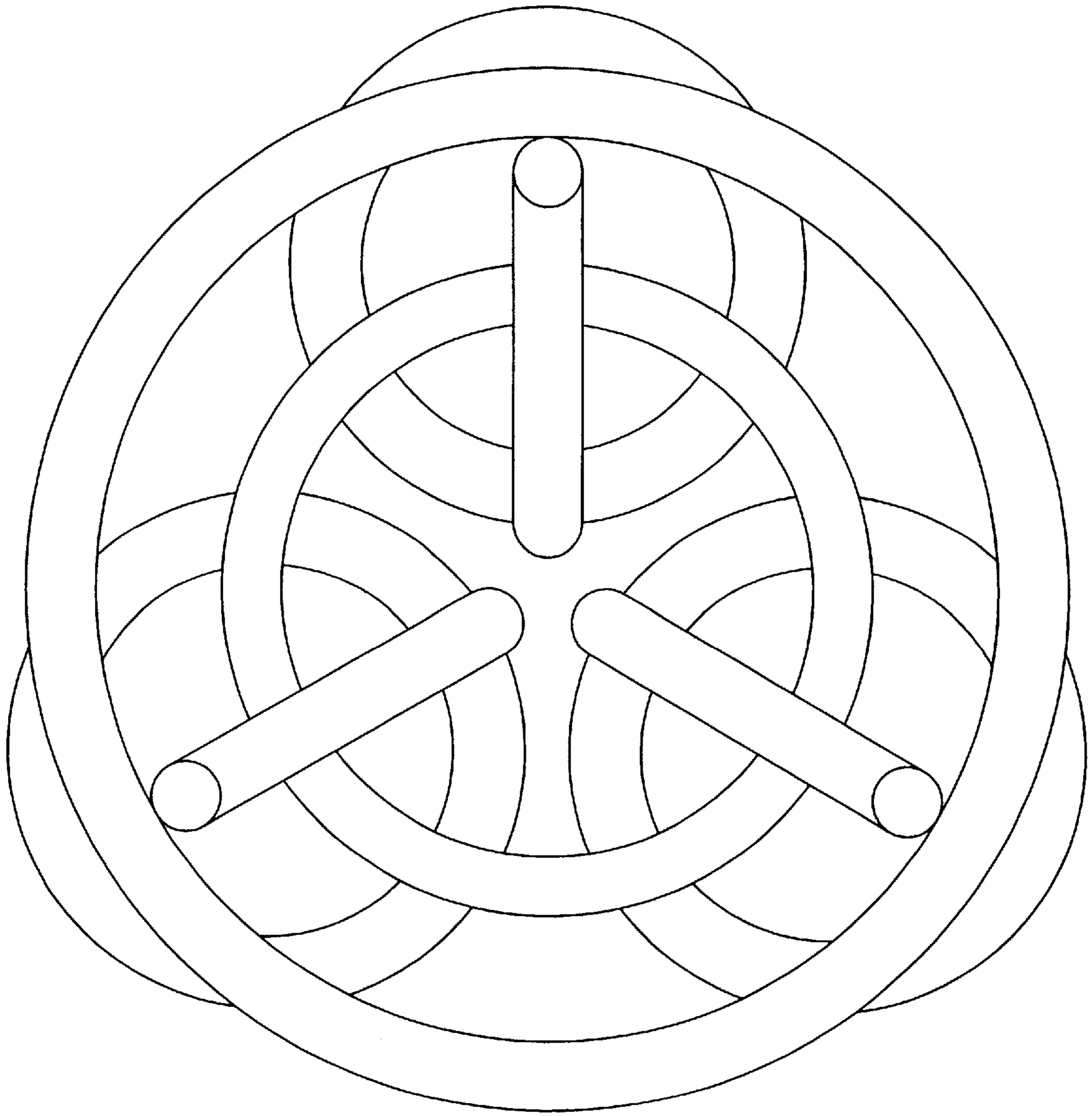


Fig. 7