



US00D479892S

(12) **United States Design Patent**
Baarman et al.

(10) **Patent No.:** **US D479,892 S**

(45) **Date of Patent:** **** Sep. 23, 2003**

(54) **LAMP**

D445,525 S * 7/2001 Pan D26/72

(75) Inventors: **David W. Baarman**, Fennville, MI (US); **Stephen J. McPhilliamy**, Chicago, IL (US); **Christopher B. Houghton**, Chicago, IL (US)

OTHER PUBLICATIONS

Taiwan Lighting May 1999, Otto International Corp. lamp No. MC-018 on p. 83.*

* cited by examiner

(73) Assignee: **Access Business Group International LLC**, Ada, MI (US)

Primary Examiner—Joel Sincavage

Assistant Examiner—Linda Brooks

(**) Term: **14 Years**

(74) *Attorney, Agent, or Firm*—Warner Norcross & Judd LLP

(21) Appl. No.: **29/165,005**

(57) **CLAIM**

(22) Filed: **Aug. 2, 2002**

The ornamental design for a lamp, as shown and described.

(51) **LOC (7) Cl.** **26-03**

DESCRIPTION

(52) **U.S. Cl.** **D26/107**

(58) **Field of Search** D26/72-92, 67, D26/68, 93, 104, 107, 108, 112; 362/125, 154, 157, 277, 363, 404-414

FIG. 1 is a perspective view of the lamp embodying the new design;

FIG. 2 is a front elevational view thereof;

FIG. 3 is a rear elevational view thereof;

FIG. 4 is a right side elevational view thereof;

FIG. 5 is a left side elevational view thereof;

FIG. 6 is a top plan view thereof; and,

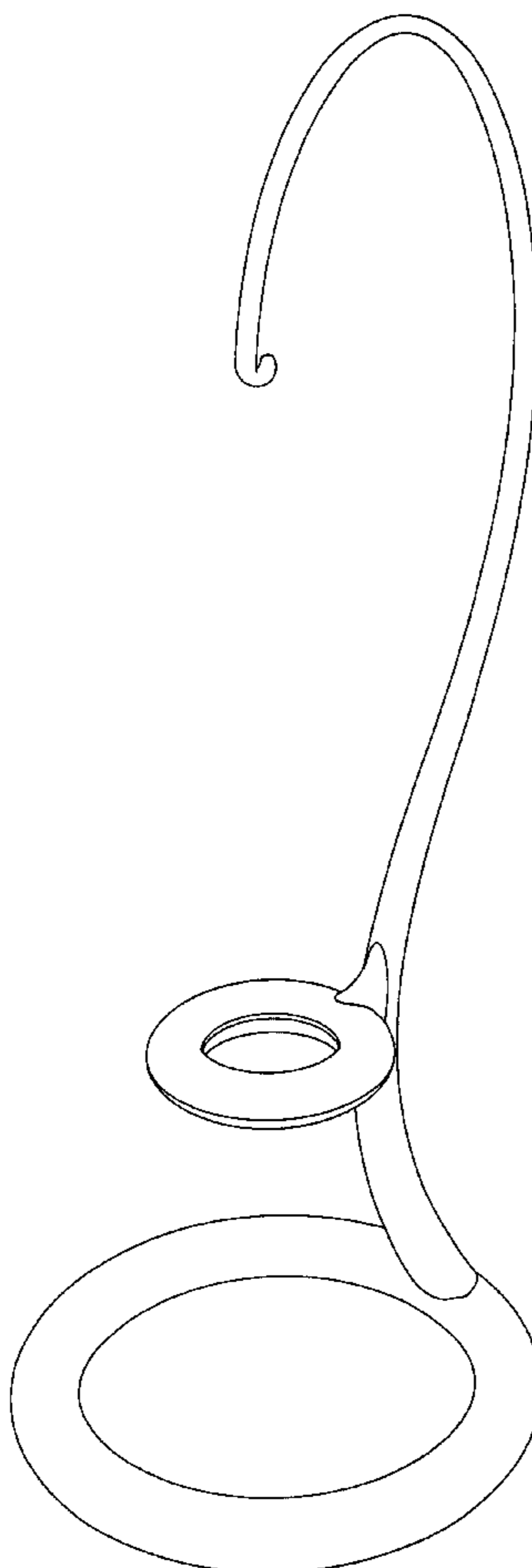
FIG. 7 is a bottom plan view thereof.

(56) **References Cited**

U.S. PATENT DOCUMENTS

- D74,629 S * 3/1928 Salterini D26/107
- D442,302 S * 5/2001 Hsu D26/9
- D443,382 S * 6/2001 Vong et al. D26/93

1 Claim, 7 Drawing Sheets



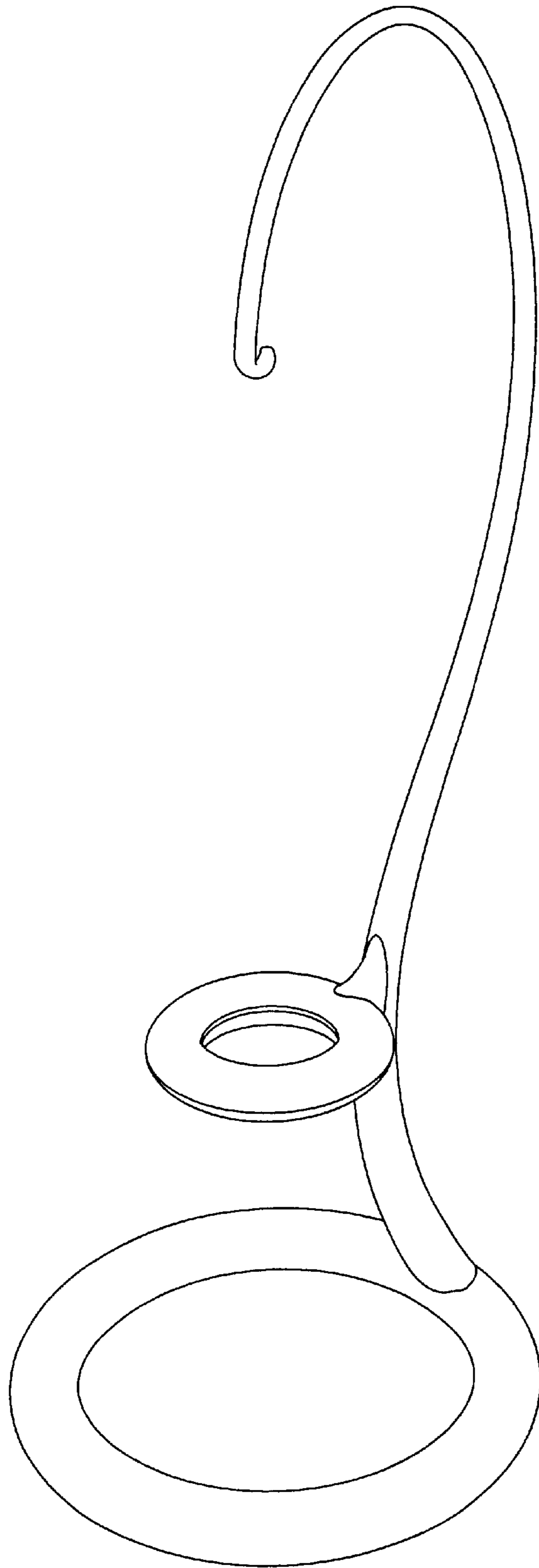


Fig. 1

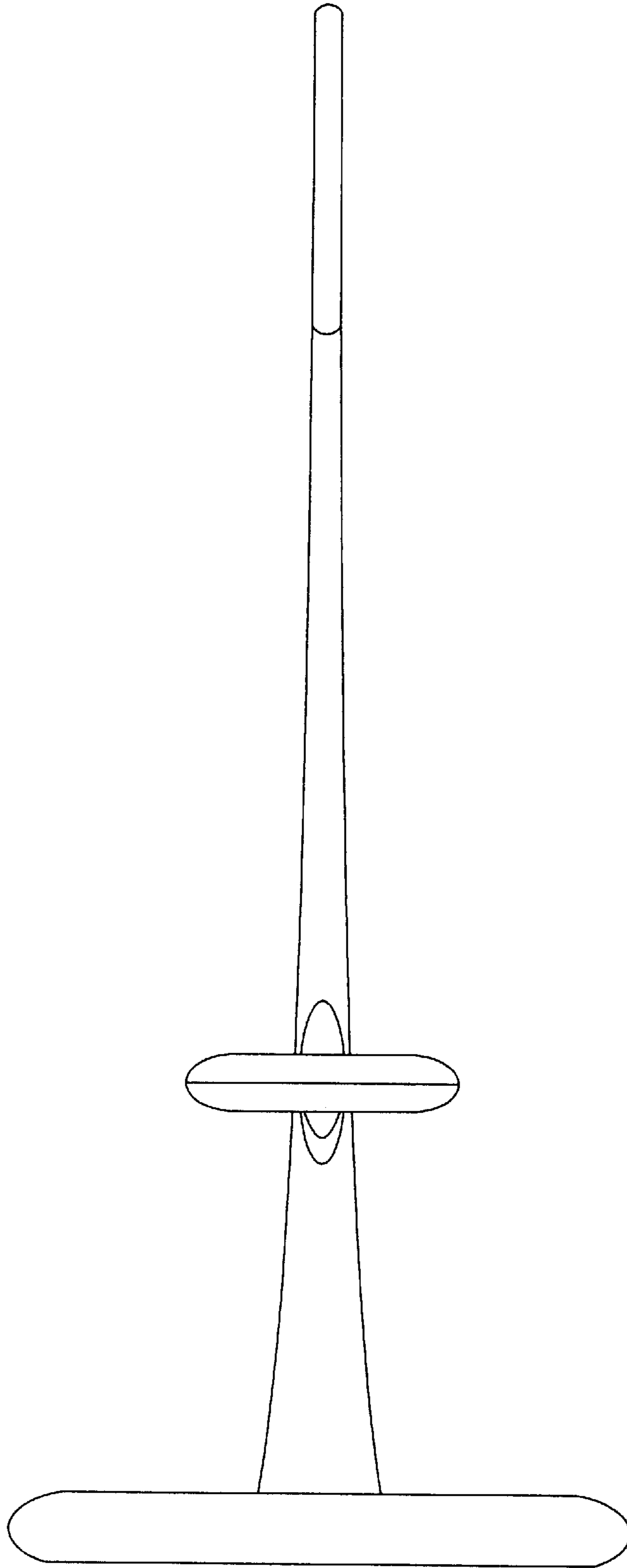


Fig. 2

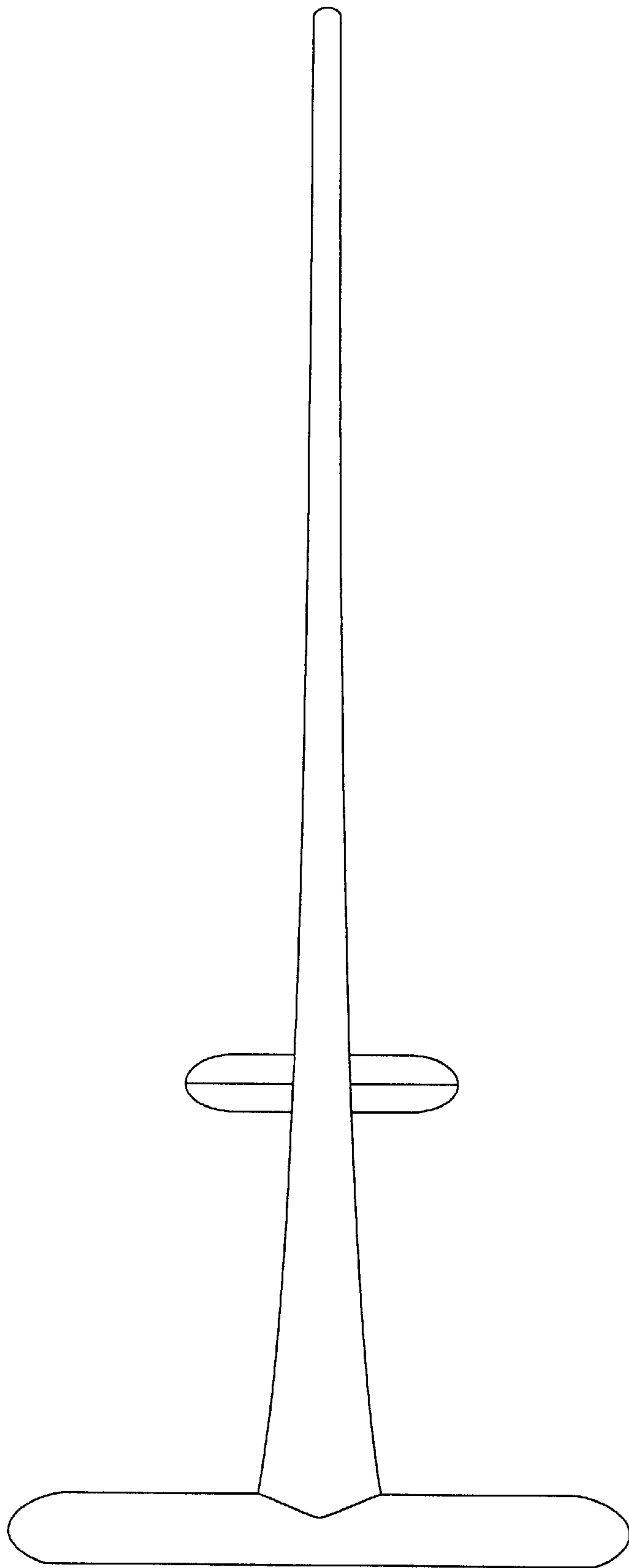


Fig. 3

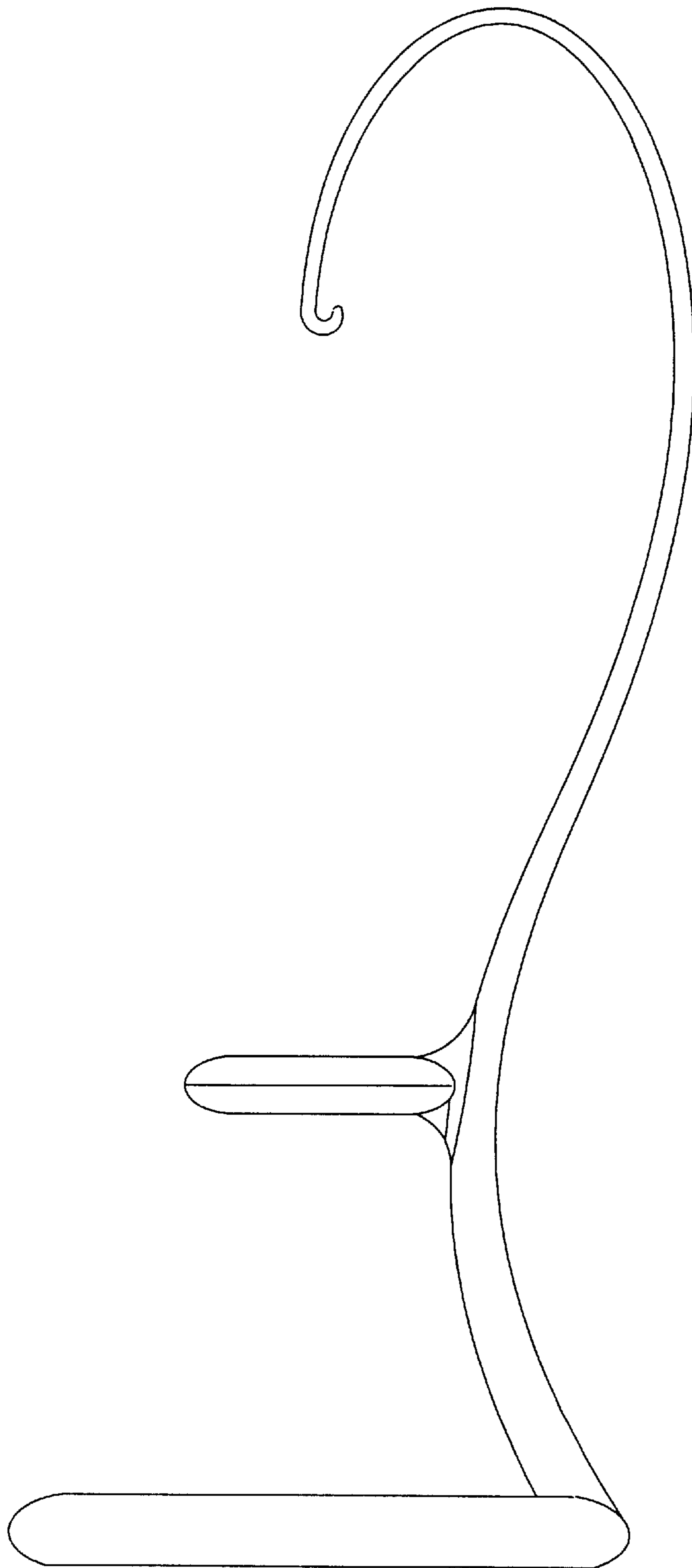


Fig. 4

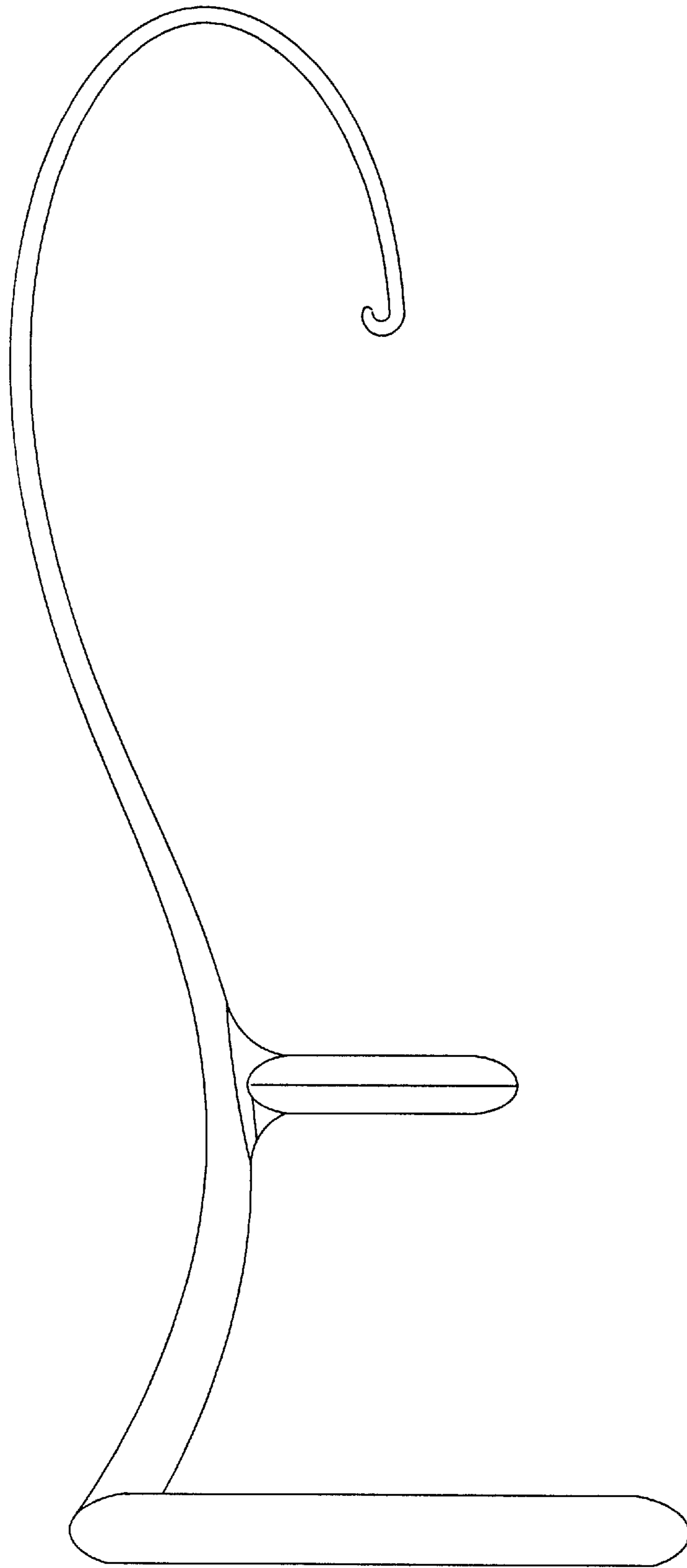


Fig. 5

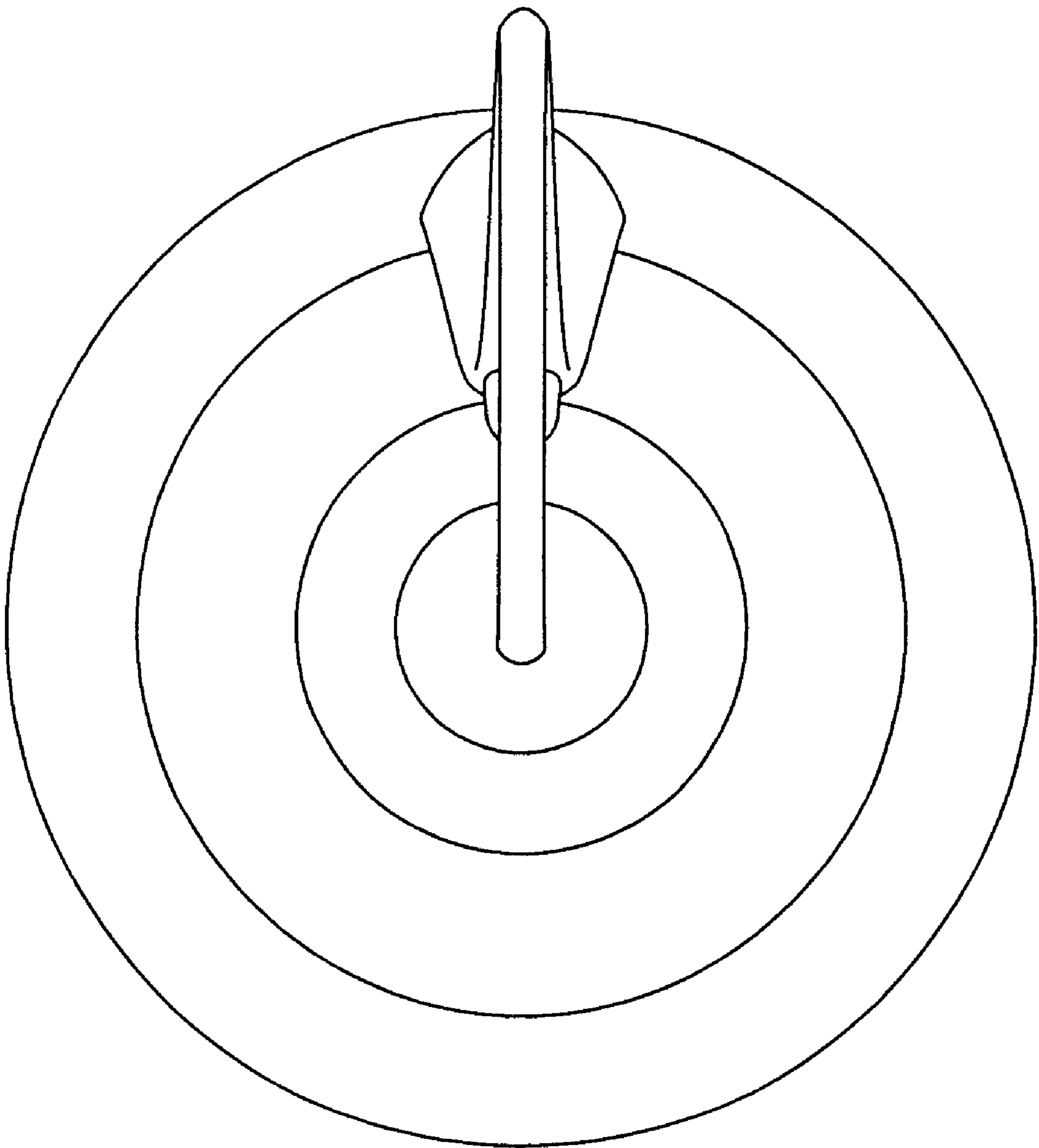


Fig. 6

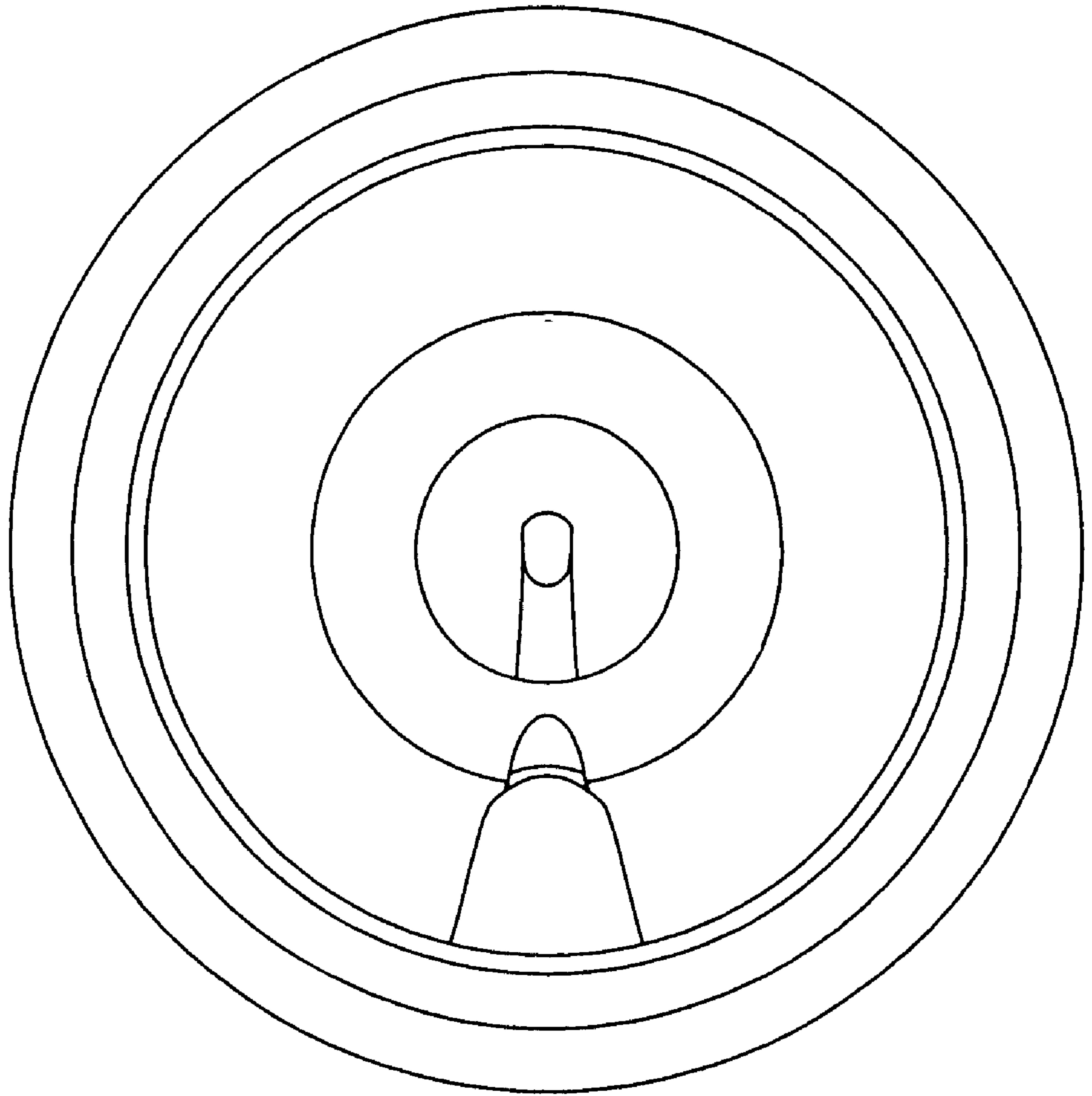


Fig. 7