



US00D479891S

(12) **United States Design Patent**  
**Yeh**

(10) **Patent No.:** **US D479,891 S**

(45) **Date of Patent:** **\*\* Sep. 23, 2003**

(54) **PATIO TORCH**

D403,095 S \* 12/1998 Ewing et al. .... D26/67  
D465,296 S \* 11/2002 DiPasquale .... D26/67

(75) Inventor: **Yuan-Hung Yeh**, Taipei Hsien (TW)

\* cited by examiner

(73) Assignee: **Hens Specialty Co., Ltd.**, Taipei Hsien (TW)

*Primary Examiner*—Marcus A. Jackson

(\*\*) Term: **14 Years**

(57) **CLAIM**

(21) Appl. No.: **29/169,046**

The ornamental design for a patio torch, as shown and described.

(22) Filed: **Oct. 15, 2002**

**DESCRIPTION**

(51) **LOC (7) Cl.** ..... **26-05**

(52) **U.S. Cl.** ..... **D26/67**

(58) **Field of Search** ..... D26/67-72, 85,  
D26/87, 92; 362/147, 157, 183, 363, 367,  
431, 432

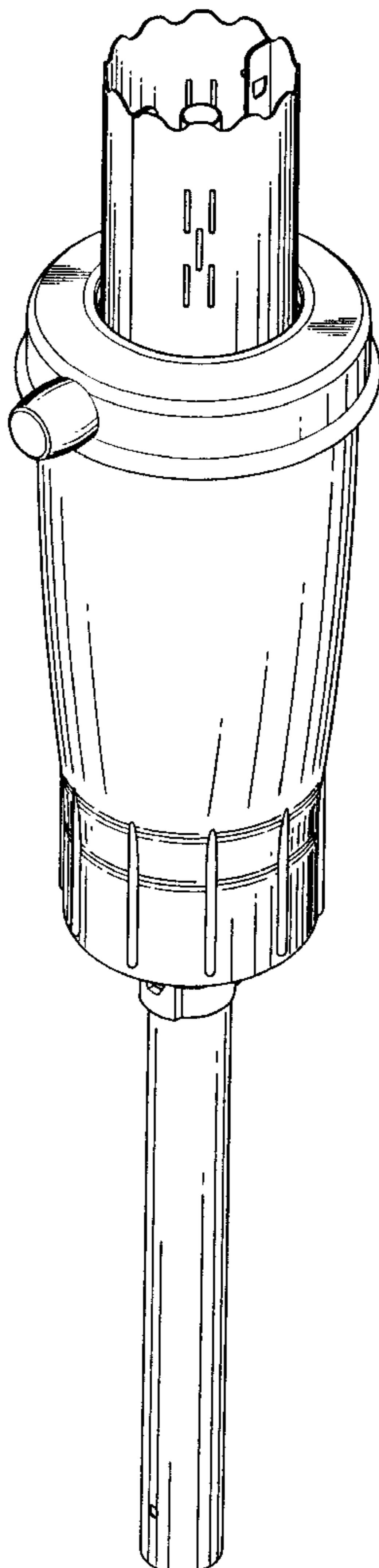
FIG. 1 is a perspective view thereof;  
FIG. 2 is a front view thereof;  
FIG. 3 is a back view thereof;  
FIG. 4 is a left side view thereof;  
FIG. 5 is a right side view thereof;  
FIG. 6 is a top view thereof; and,  
FIG. 7 is a bottom view thereof.

(56) **References Cited**

**U.S. PATENT DOCUMENTS**

D338,977 S \* 8/1993 Ewing et al. .... D26/67

**1 Claim, 4 Drawing Sheets**



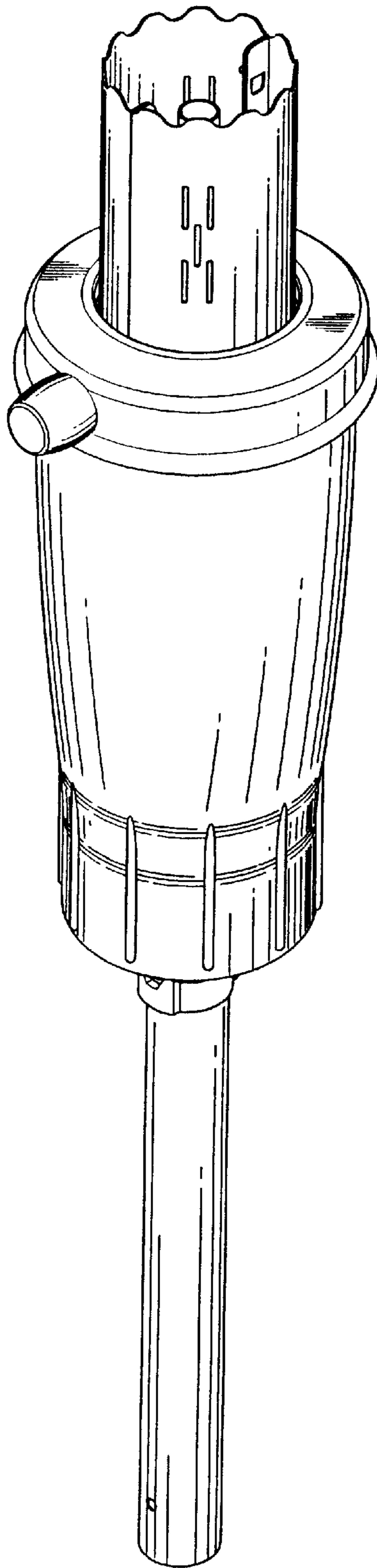


Fig.1

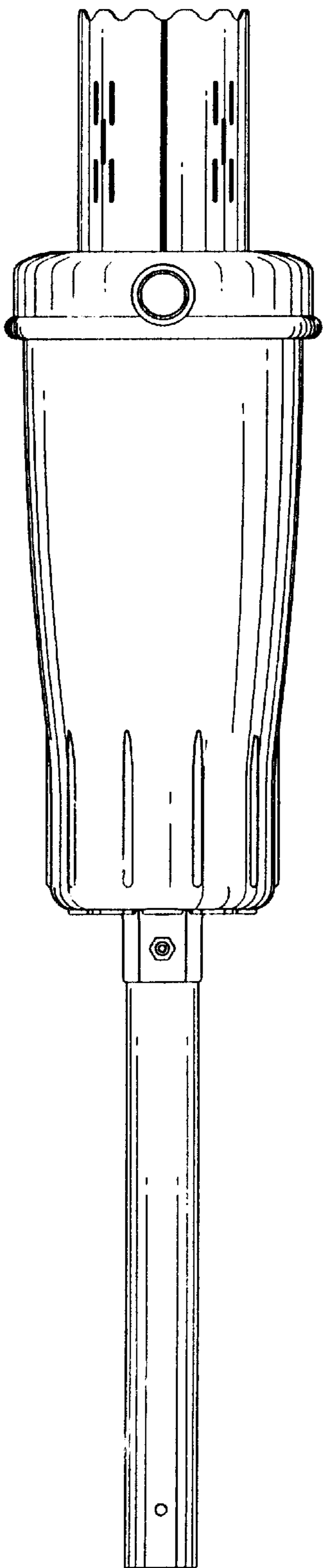


Fig.2

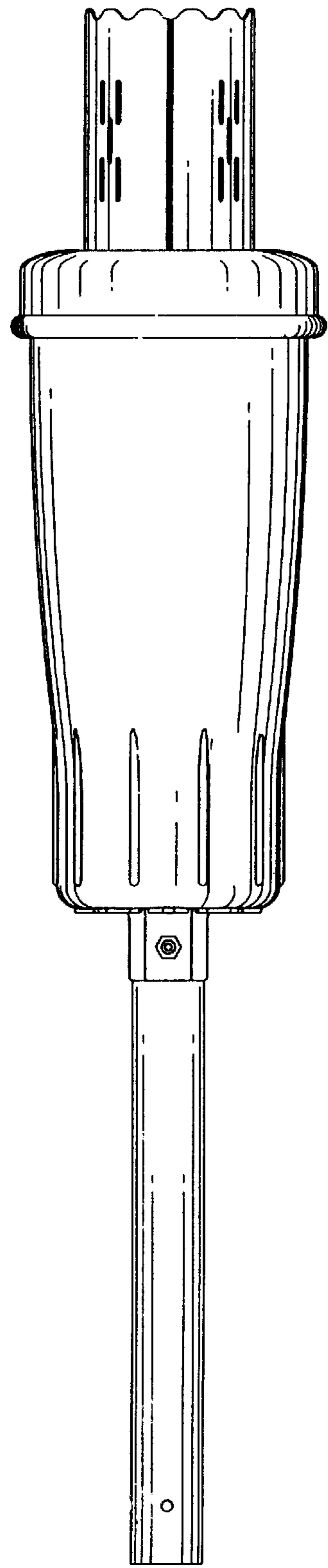


Fig.3

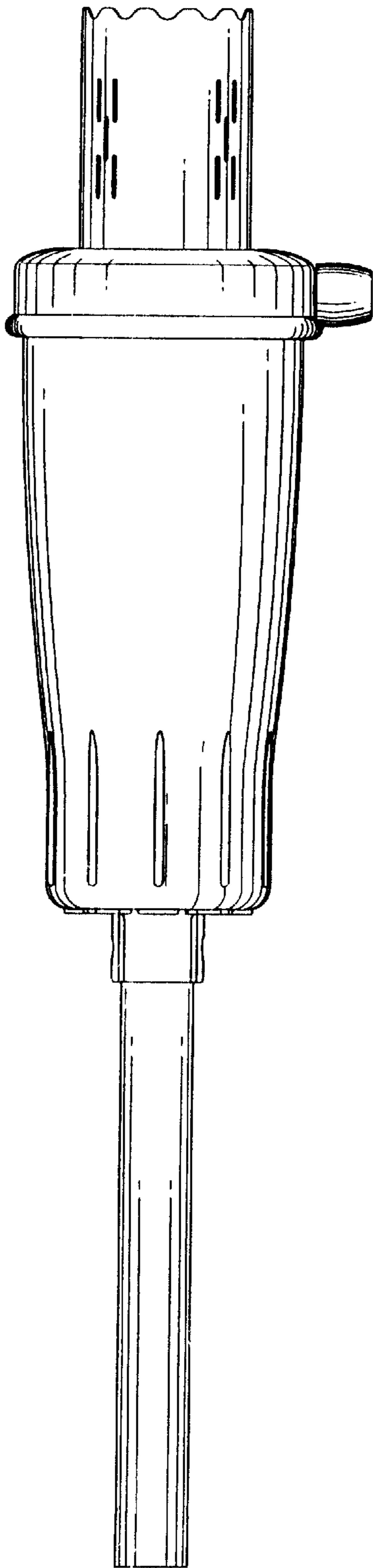


Fig.4

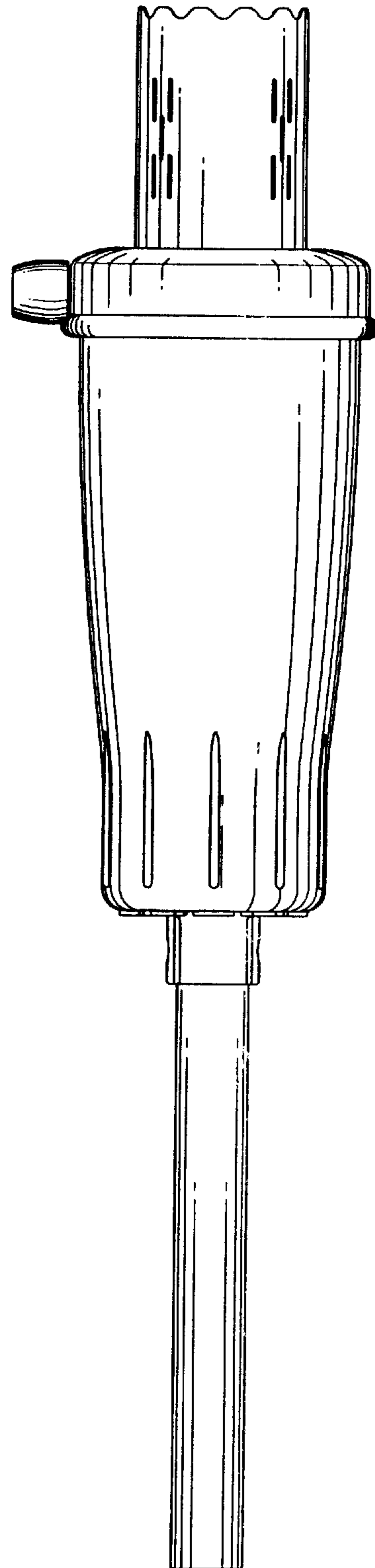


Fig.5

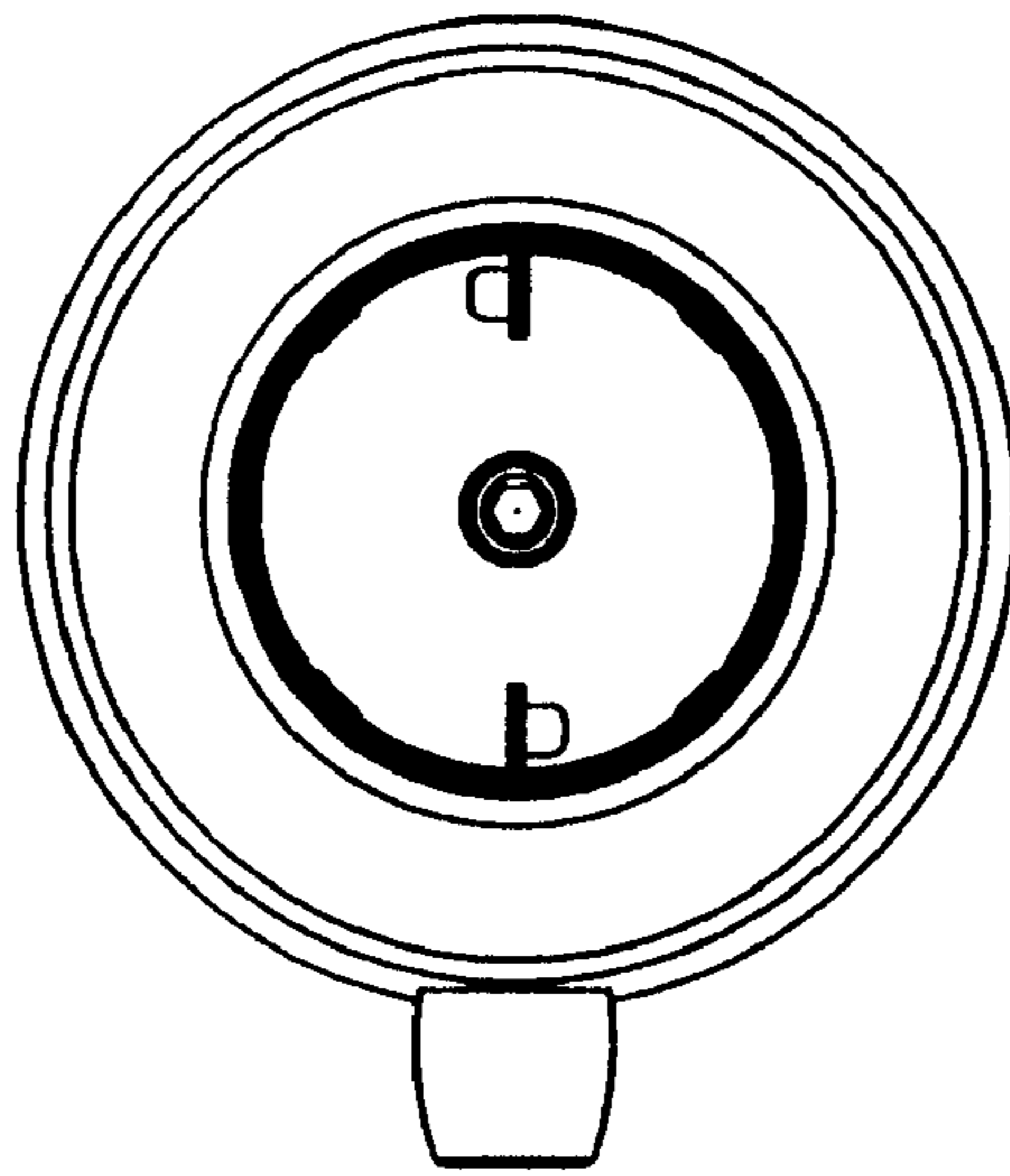


Fig.6

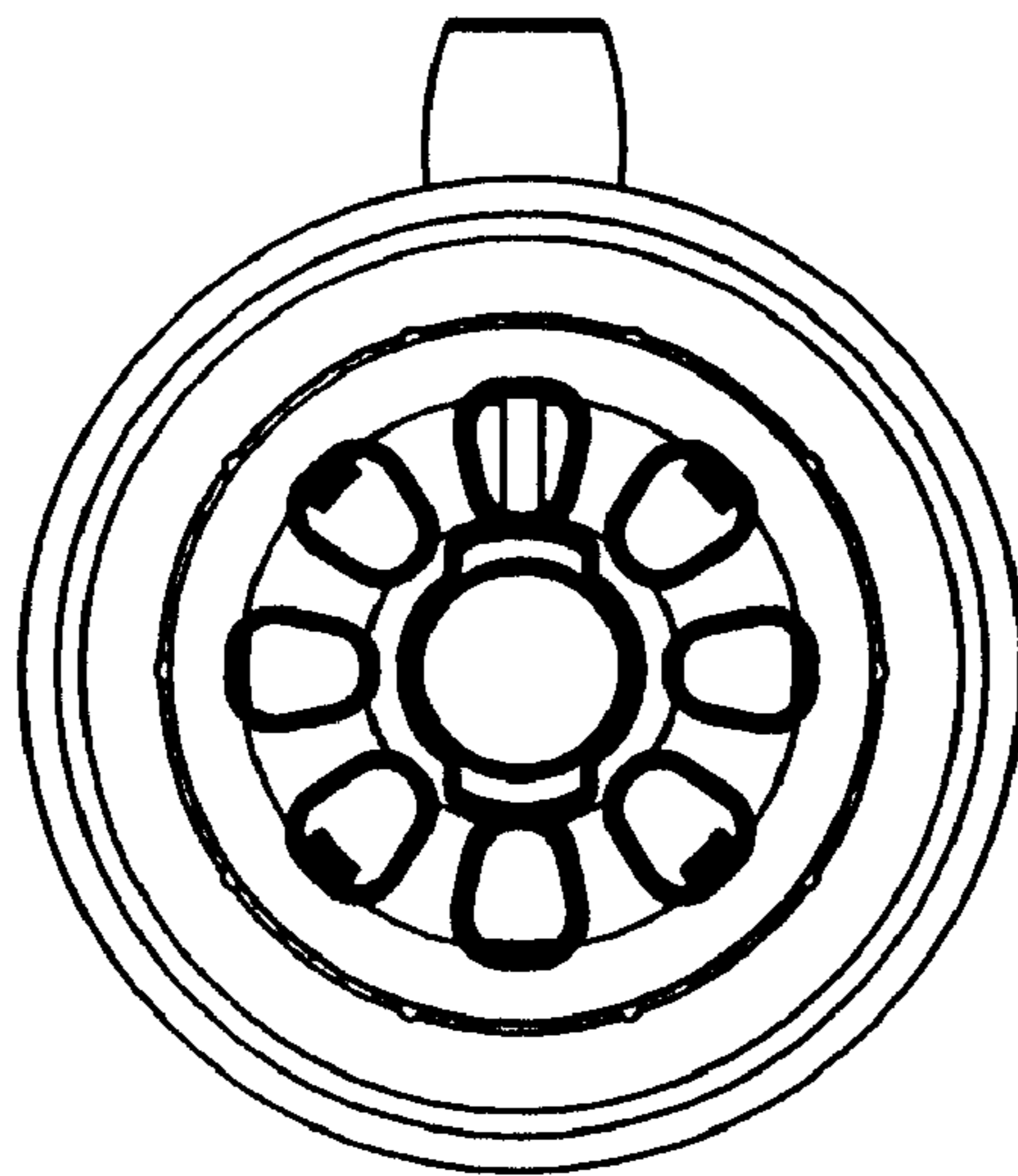


Fig.7