



US00D479890S

(12) **United States Design Patent**
Jacobs

(10) **Patent No.:** **US D479,890 S**

(45) **Date of Patent:** **** Sep. 23, 2003**

(54) **RAILROADERS LANTERN**

(75) Inventor: **Christopher D. Jacobs**, Honeoye Falls,
NY (US)

(73) Assignee: **Star Headlight and Lantern Co., Inc.**,
Avon, NY (US)

(**) Term: **14 Years**

(21) Appl. No.: **29/156,217**

(22) Filed: **Feb. 26, 2002**

(51) **LOC (7) Cl.** **26-02**

(52) **U.S. Cl.** **D26/40**

(58) **Field of Search** D26/37-50; 362/157,
362/158, 171, 172, 173, 181-208

(56) **References Cited**

U.S. PATENT DOCUMENTS

D429,832 S * 8/2000 Poon D26/40
D434,163 S * 11/2000 Lee D26/40

OTHER PUBLICATIONS

AG Design & Associates, Inc., Flashing Blue & Red Safety
Lanterns, Printout from web site at www.trainmanlantern.com, Feb. 8, 2002

* cited by examiner .

Primary Examiner—Marcus A. Jackson

(74) *Attorney, Agent, or Firm*—Kenneth J. Lukacher

(57) **CLAIM**

The ornamental design for a railroaders lantern, as shown
and described.

DESCRIPTION

FIG. 1 is a perspective view from the right side of a
railroaders lantern showing the design of a railroaders
lantern embodying the invention;

FIG. 2 is a front view thereof;

FIG. 3 is a bottom view thereof;

FIG. 4 is a perspective view thereof which is taken from the
back and showing the top thereof; and,

FIG. 5 is a left view thereof.

1 Claim, 5 Drawing Sheets

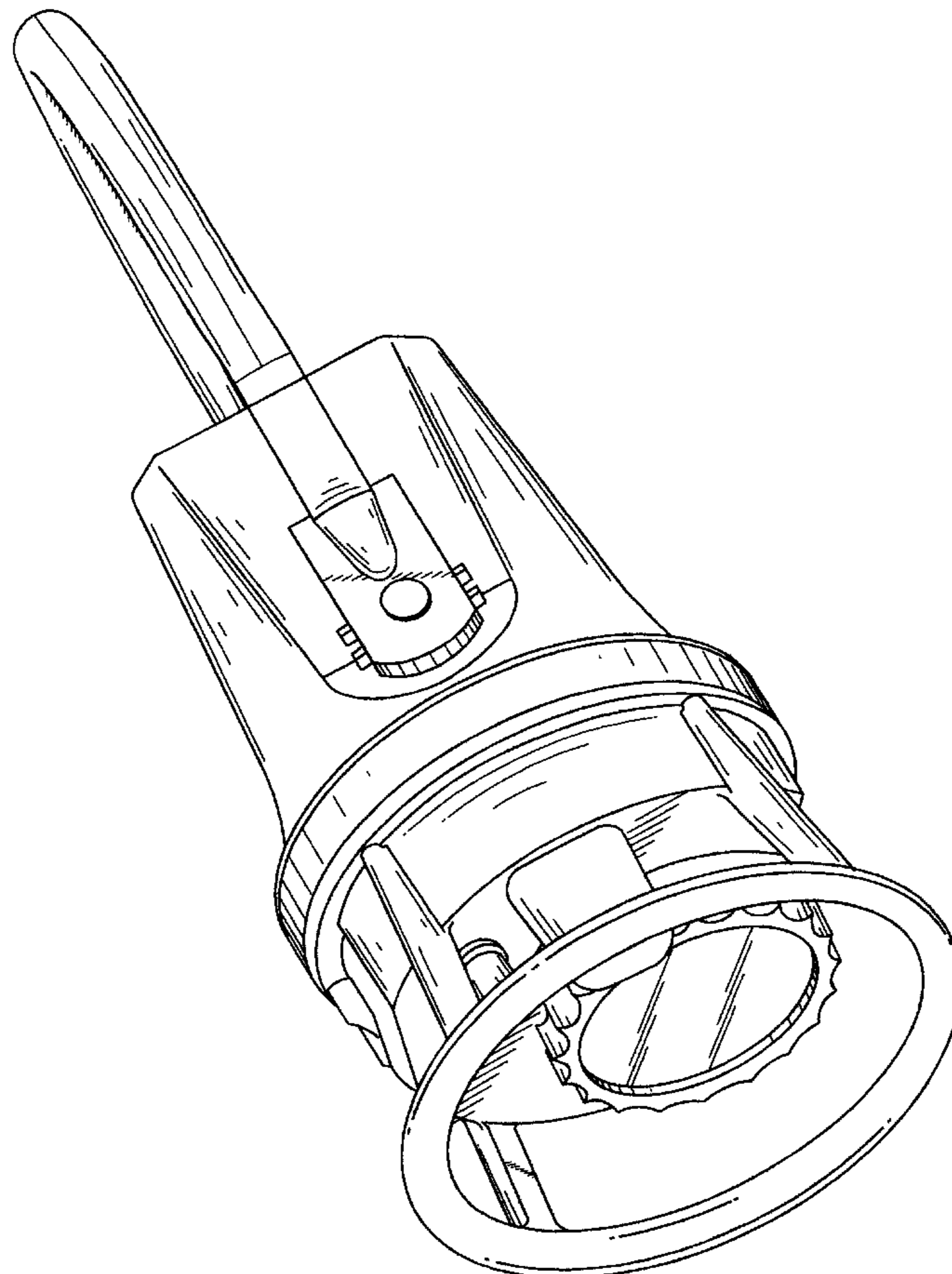


FIG. 1

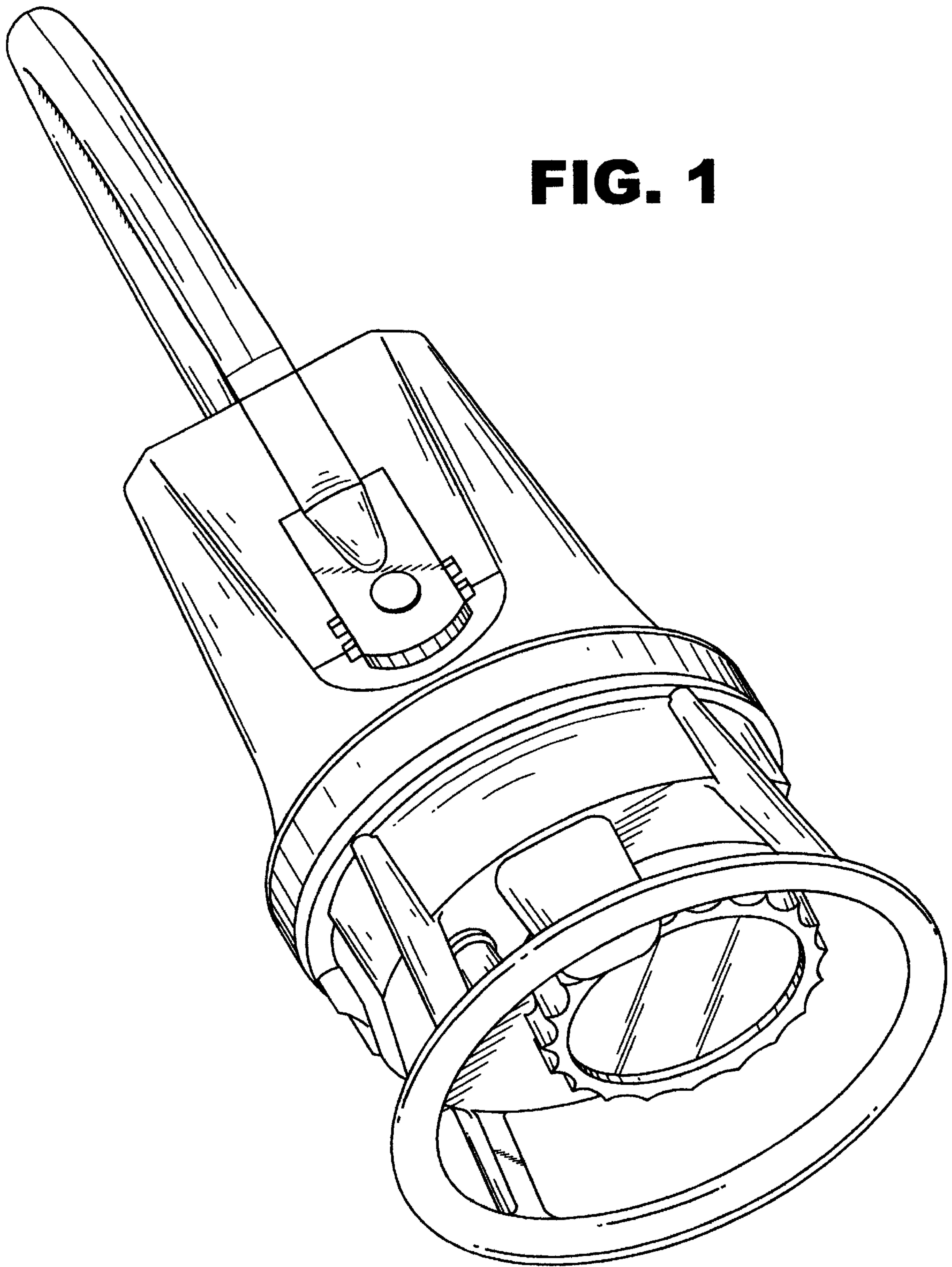
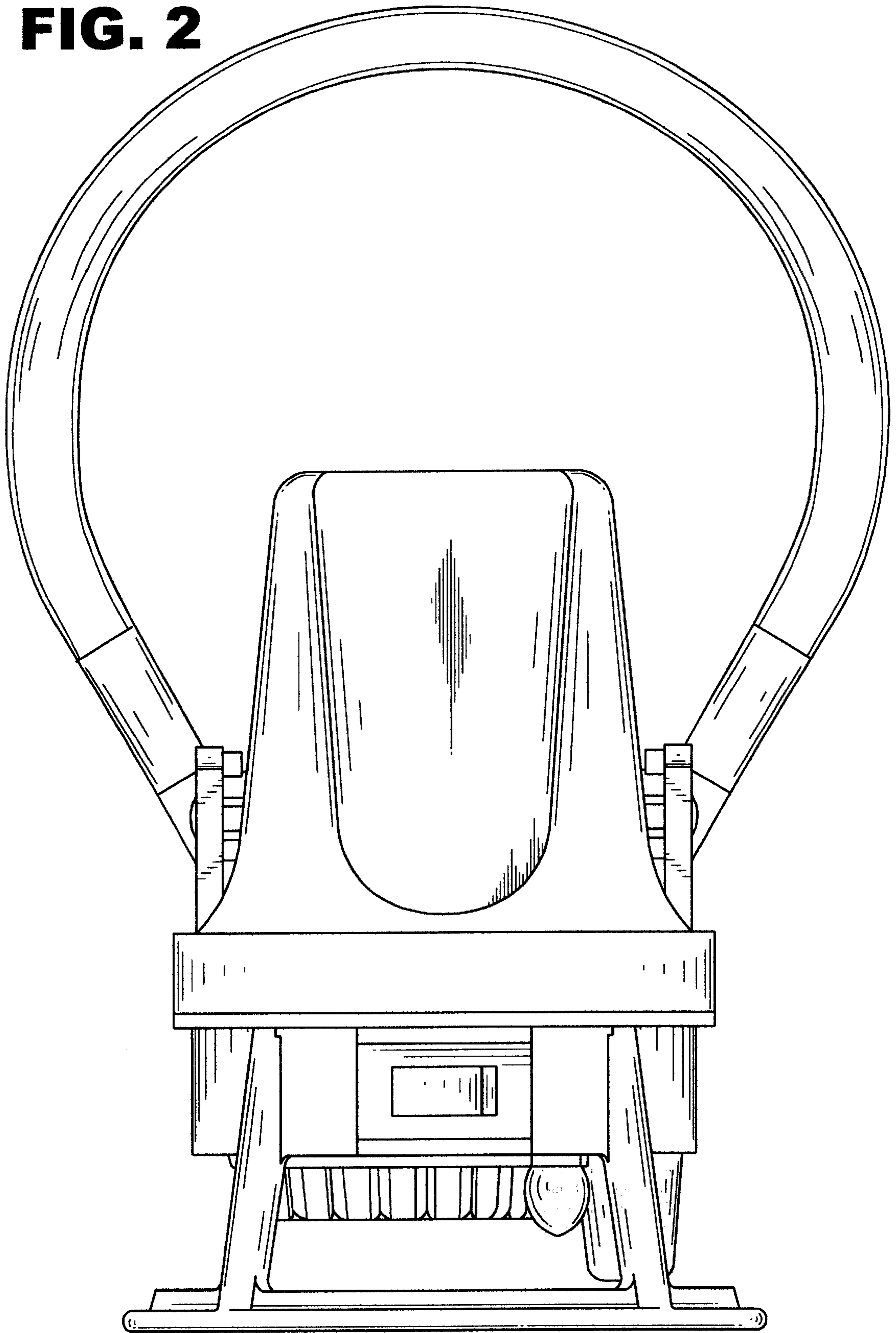


FIG. 2



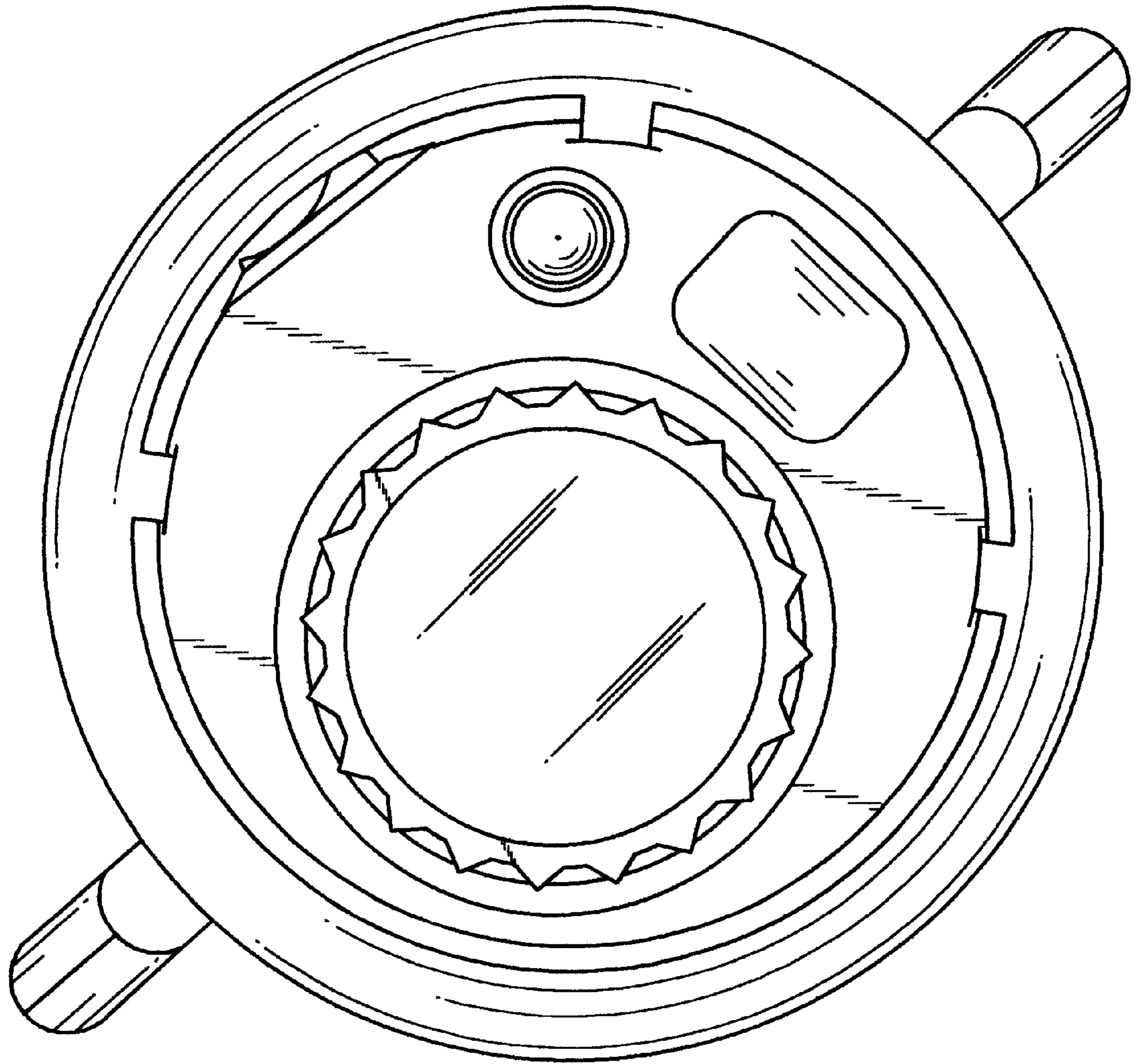


FIG. 3

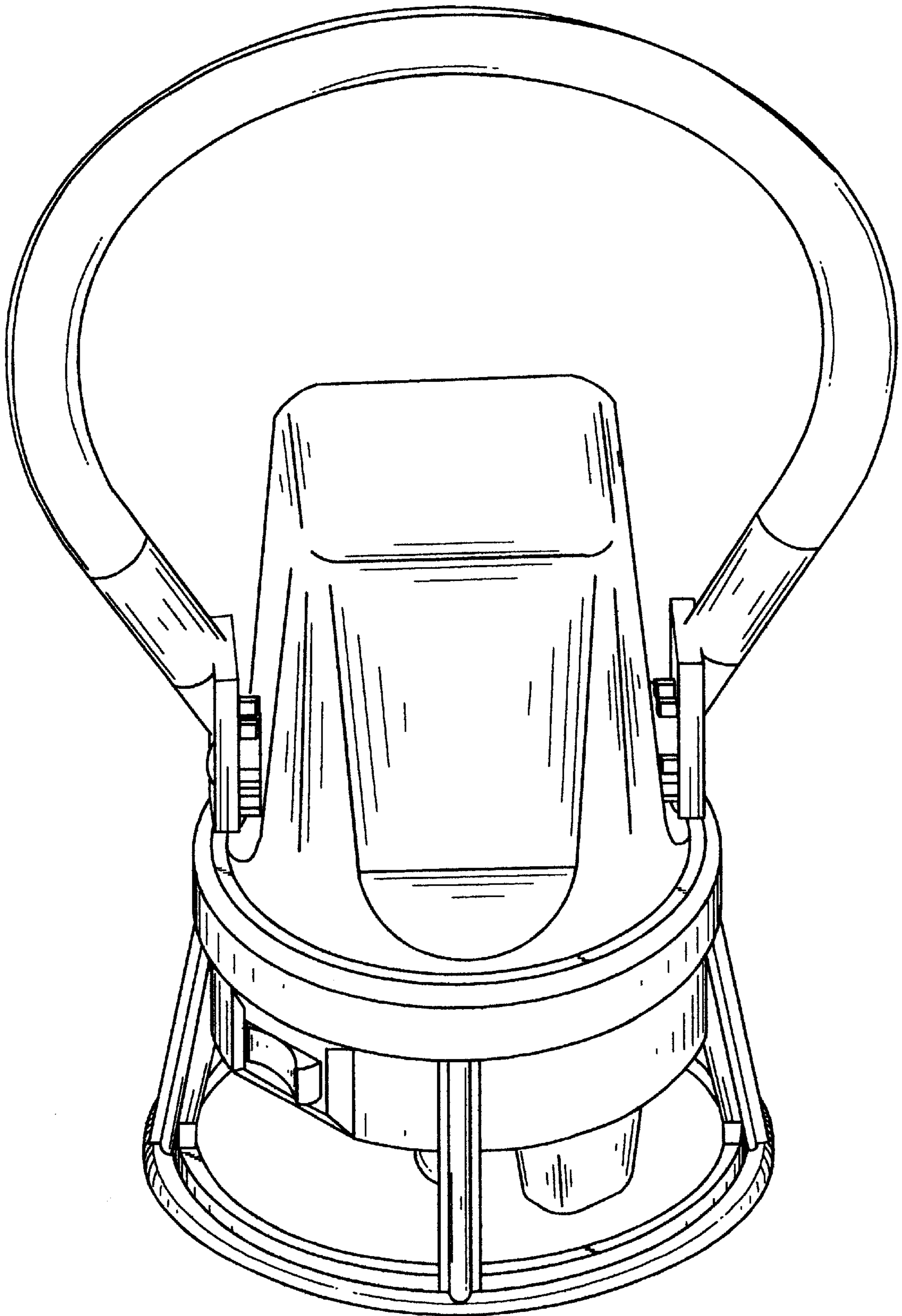


FIG. 4

FIG. 5

