



US00D479889S

(12) **United States Design Patent**
Poon

(10) **Patent No.:** **US D479,889 S**

(45) **Date of Patent:** **** Sep. 23, 2003**

(54) **COMBINED BATTERY PACK, RADIO AND HAND LAMP WITH ELECTRIC GENERATOR ACTUATED BY HAND**

(75) **Inventor:** **Tit Wing Poon, Shatin (CN)**

(73) **Assignee:** **Flying Dragon Development Ltd., Hong Kong (CN)**

(**) **Term:** **14 Years**

(21) **Appl. No.:** **29/171,562**

(22) **Filed:** **Nov. 25, 2002**

(30) **Foreign Application Priority Data**

May 28, 2002 (HK) 0210782

(51) **LOC (7) Cl.** **26-02**

(52) **U.S. Cl.** **D26/38**

(58) **Field of Search** D26/37-50; D14/137, D14/168, 188, 189; 362/157, 158, 171, 172, 173, 183-208

(56) **References Cited**

U.S. PATENT DOCUMENTS

D438,315 S * 2/2001 Yuen D26/38
D441,110 S * 4/2001 Lam D26/38

* cited by examiner

Primary Examiner—Marcus A. Jackson
(74) *Attorney, Agent, or Firm*—Alix, Yale & Ristas, LLP

(57) **CLAIM**

The ornamental design for a combined battery pack, radio and hand lamp with electric generator actuated by hand, as shown and described.

DESCRIPTION

FIG. 1 is a front view of the combined battery pack, radio and hand lamp with electric generator actuated by hand showing my new design;

FIG. 2 is a top plan view of the combined battery pack, radio and hand lamp with electric generator actuated by hand of FIG. 1;

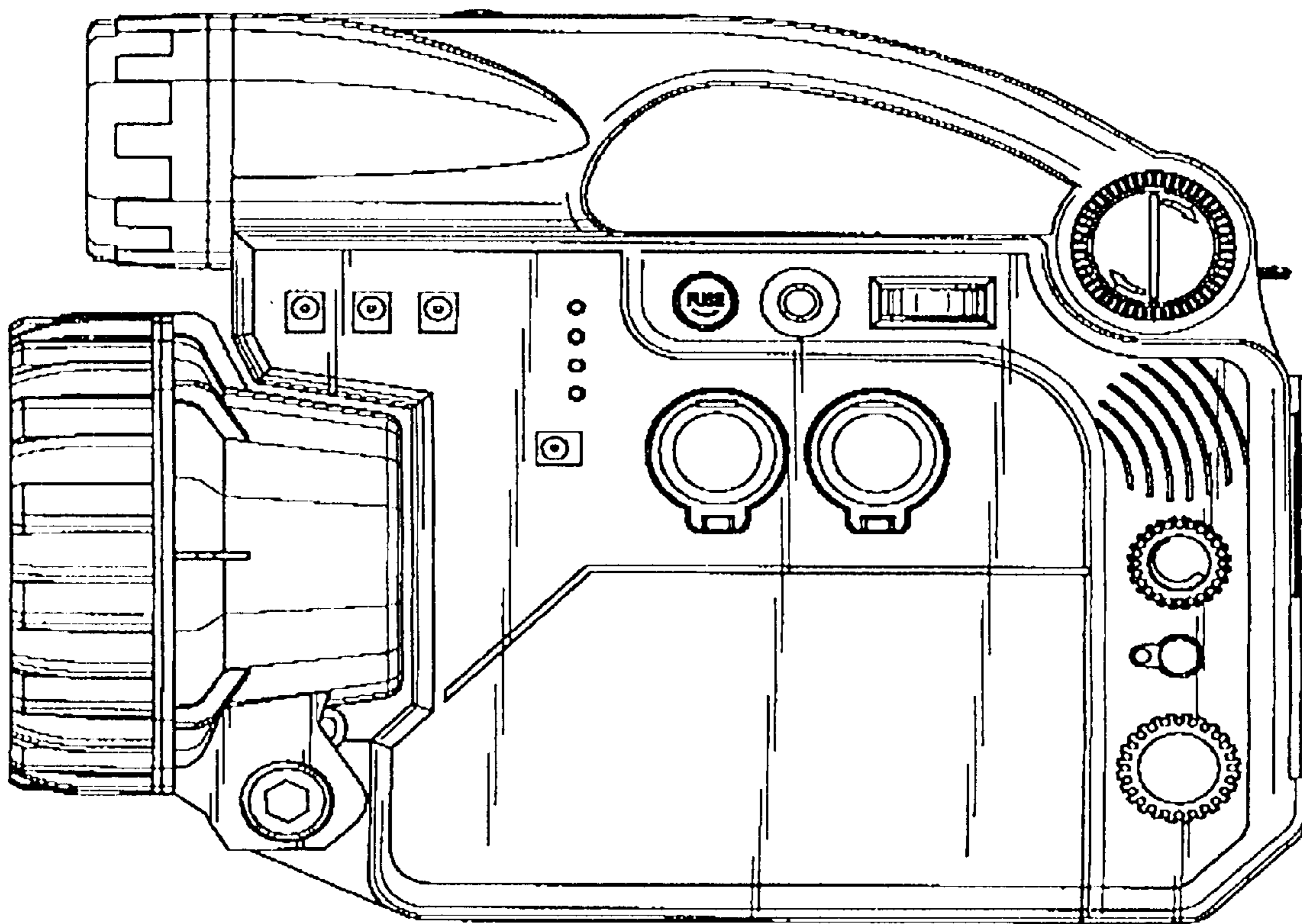
FIG. 3 is a left side view of the combined battery pack, radio and hand lamp with electric generator actuated by hand of FIG. 1;

FIG. 4 is a right side view of the combined battery pack, radio and hand lamp with electric generator actuated by hand of FIG. 1;

FIG. 5 is a rear view of the combined battery pack, radio and hand lamp with electric generator actuated by hand of FIG. 1; and,

FIG. 6 is a bottom plan view of the combined battery pack, radio and hand lamp with electric generator actuated by hand of FIG. 1.

1 Claim, 3 Drawing Sheets



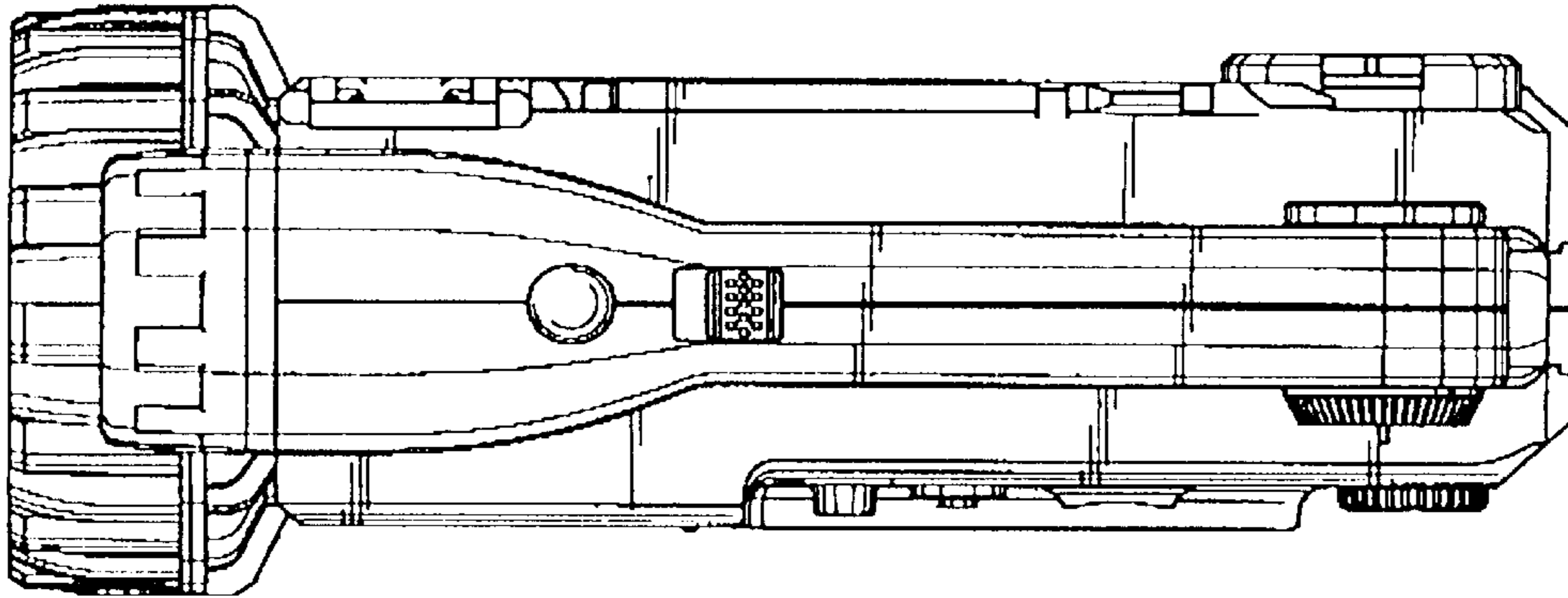


FIG. 2

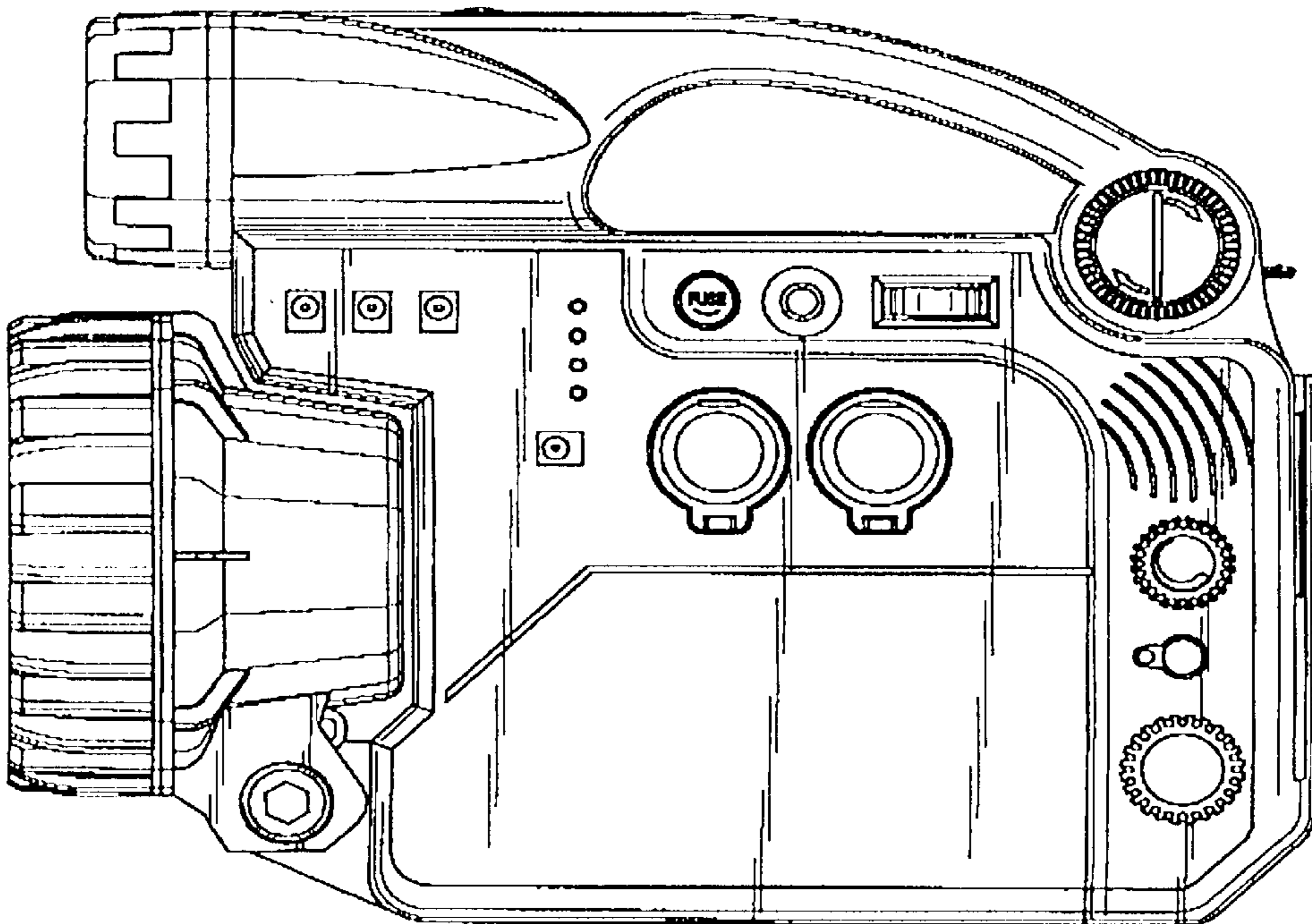


FIG. 1

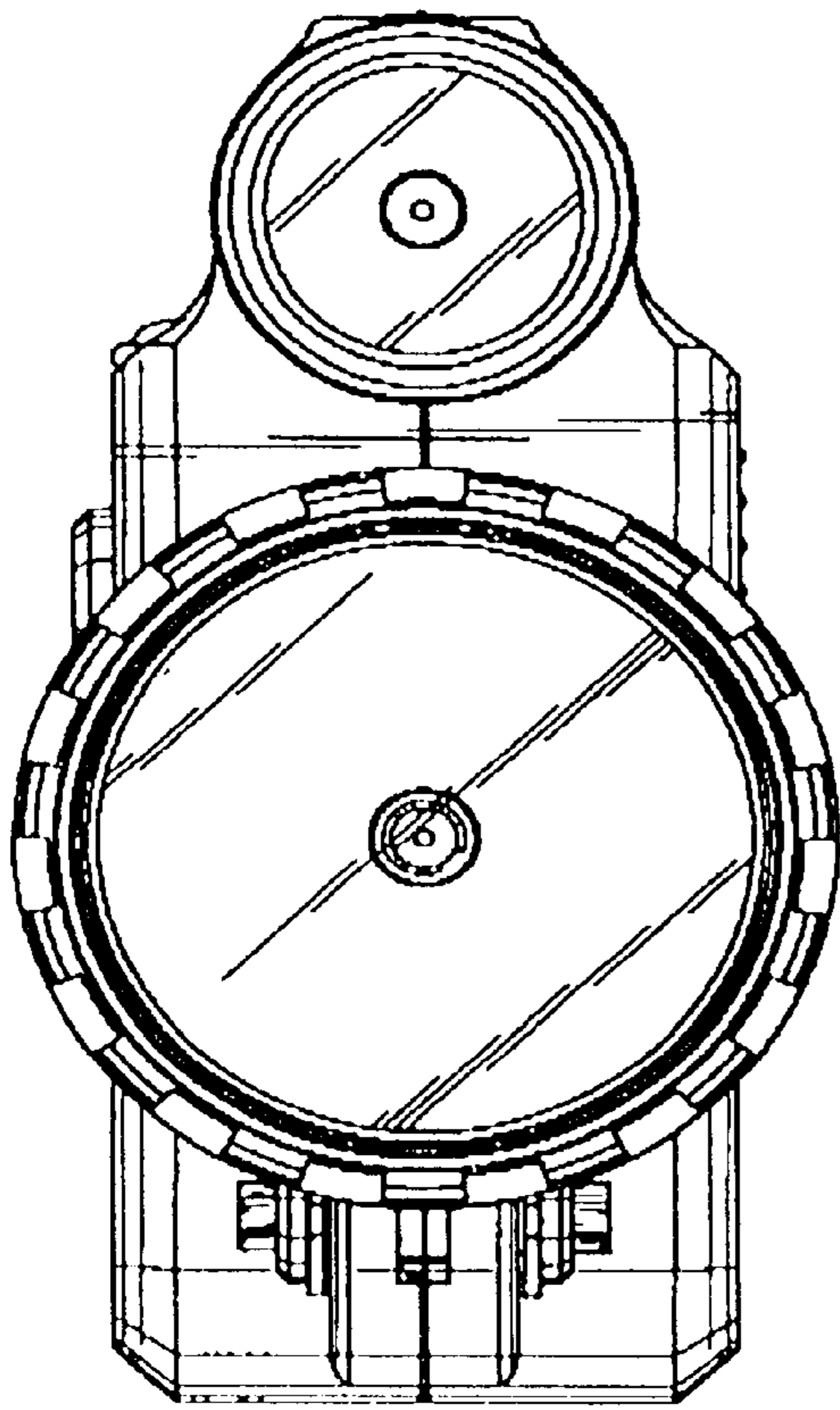


FIG. 3

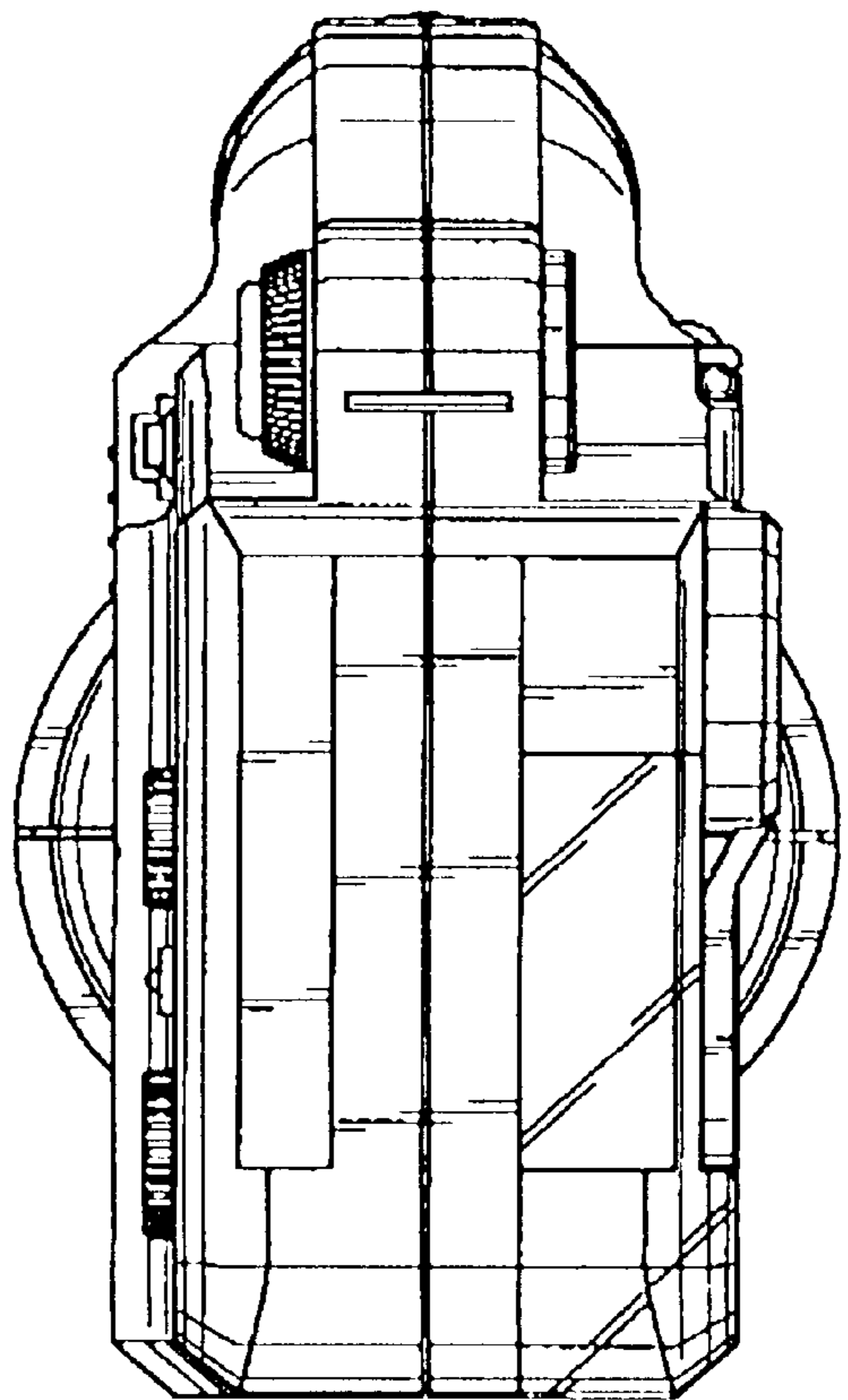


FIG. 4

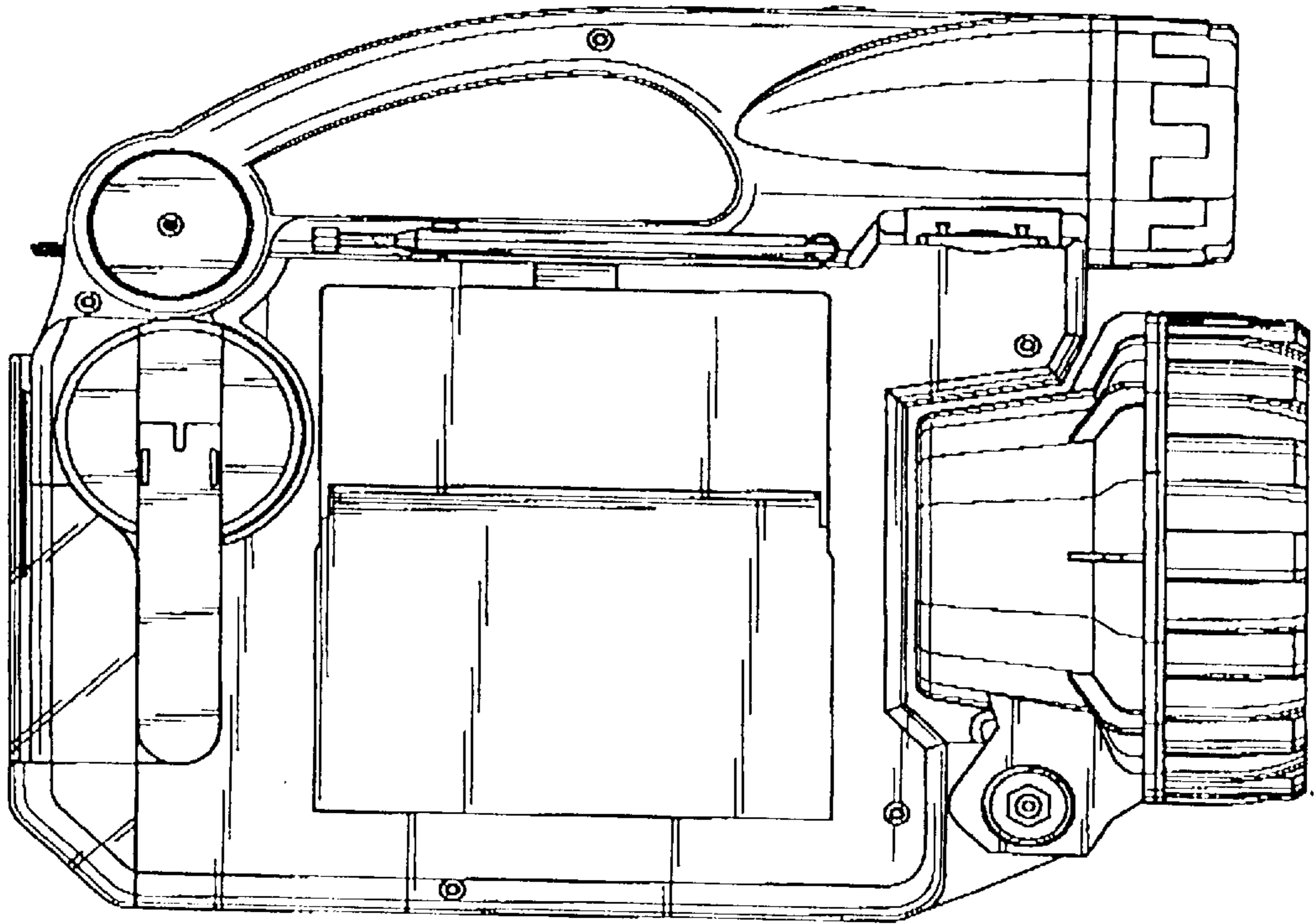


FIG. 5

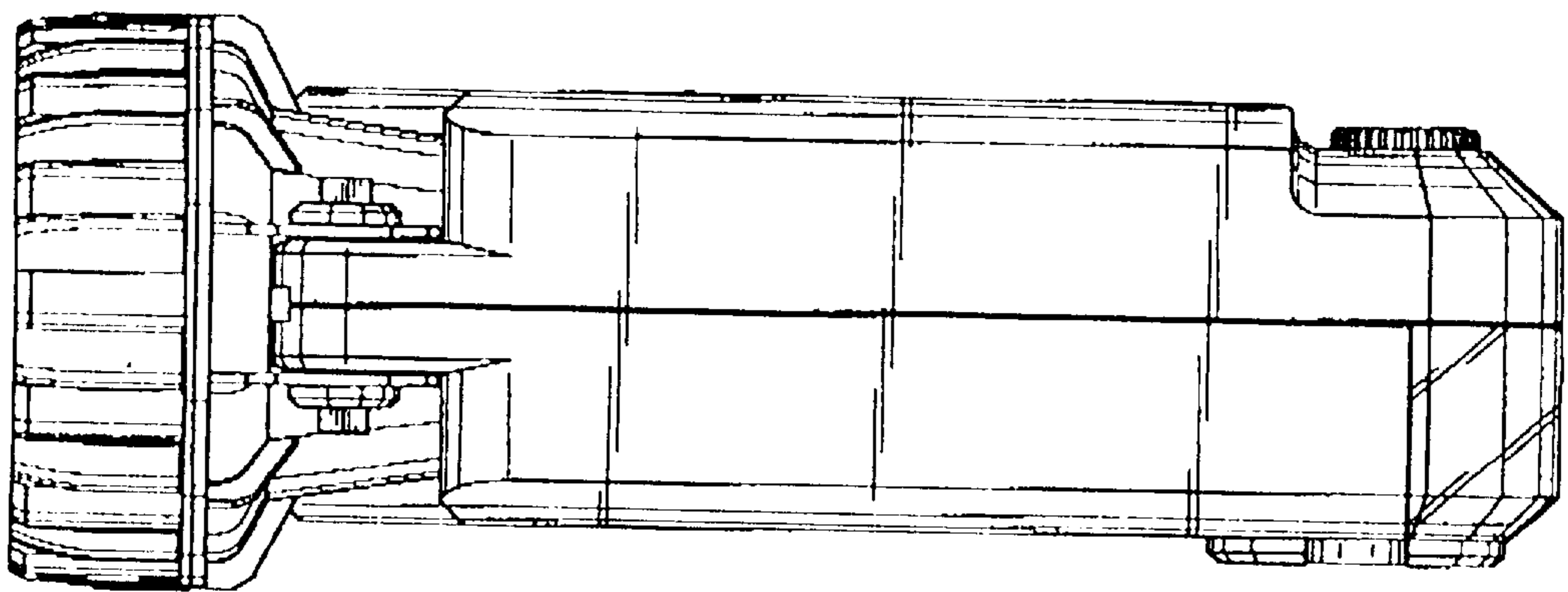


FIG. 6