



US00D479884S

(12) **United States Design Patent**
Berryman

(10) **Patent No.:** **US D479,884 S**

(45) **Date of Patent:** **** Sep. 23, 2003**

(54) **TRUCK LADDER**

(75) Inventor: **Paul Berryman**, El Centro, CA (US)

(73) Assignee: **The Berryman 1996 Trust**, El Centro, CA (US)

(**) Term: **14 Years**

(21) Appl. No.: **29/154,170**

(22) Filed: **Jan. 16, 2002**

(51) **LOC (7) Cl.** **25-04**

(52) **U.S. Cl.** **D25/64**

(58) **Field of Search** 182/64.1, 68.1,
182/127; D25/62, 64; D12/317, 406, 414

(56) **References Cited**

U.S. PATENT DOCUMENTS

D359,134 S	*	6/1995	Toews	D25/64
D424,706 S	*	5/2000	Cholley	D25/64
6,116,378 A	*	9/2000	Barrow	182/127

* cited by examiner

Primary Examiner—Doris Clark

(74) *Attorney, Agent, or Firm*—Frank G. Morkunas

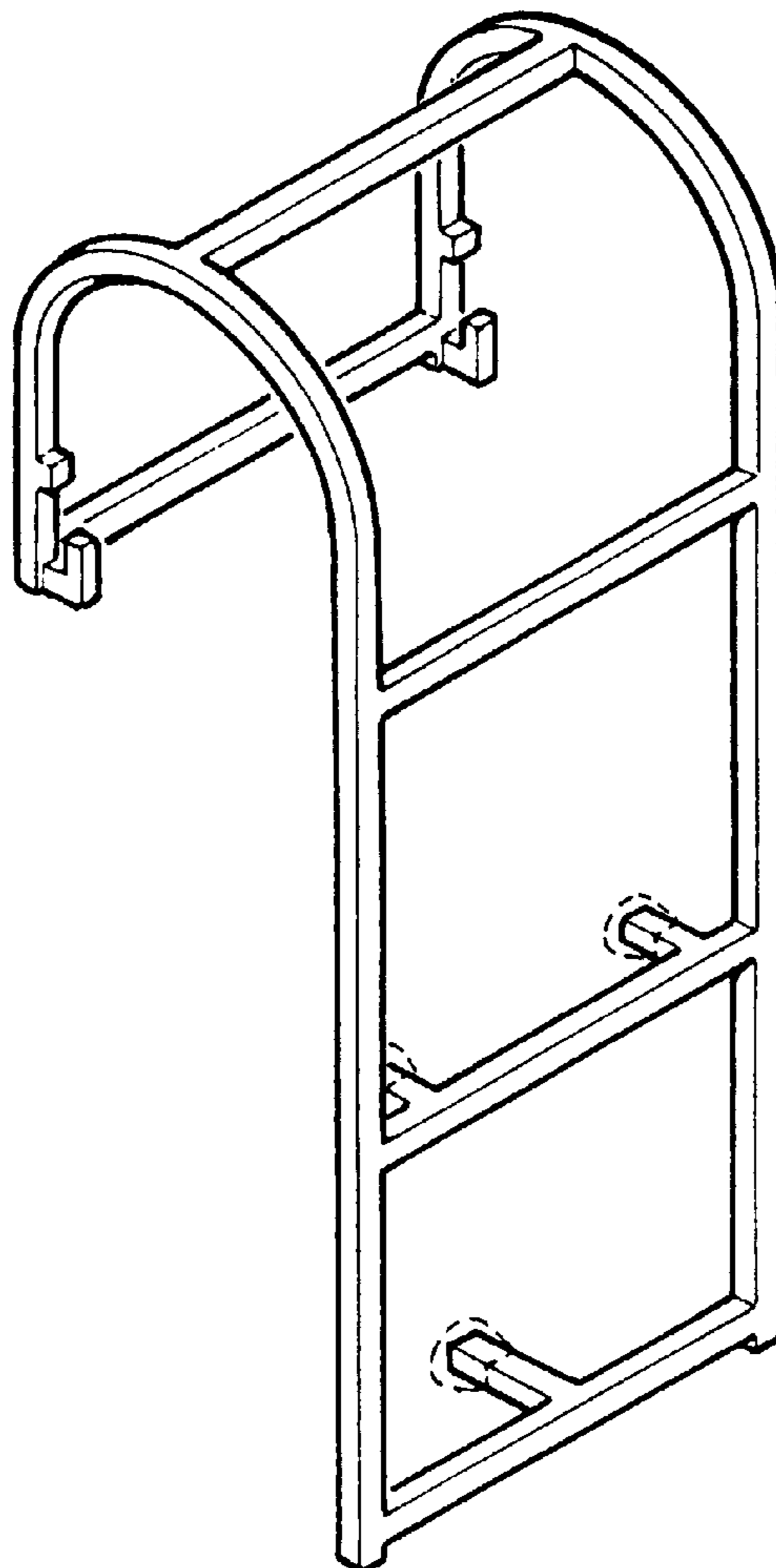
(57) **CLAIM**

I claim the ornamental design for the truck ladder, as shown and described.

DESCRIPTION

FIG. 1 is an elevation perspective view of a truck ladder showing my new design;
 FIG. 2 is a top plan view of the truck ladder design;
 FIG. 3 is a bottom plan view of the truck ladder design;
 FIG. 4 is a rear elevation view of the truck ladder design;
 FIG. 5 is a side elevation view of the truck ladder design as viewed front its left side (the right side elevation view is a mirror-image of the left side); and,
 FIG. 6 is a front elevation view of the truck ladder design.
 The phantom lines in the figures are intended only to aid in the understanding of the claimed design, are for illustration purposes only showing an article upon which the claimed design may be associated or applied, and form no part of the claimed design.

1 Claim, 1 Drawing Sheet



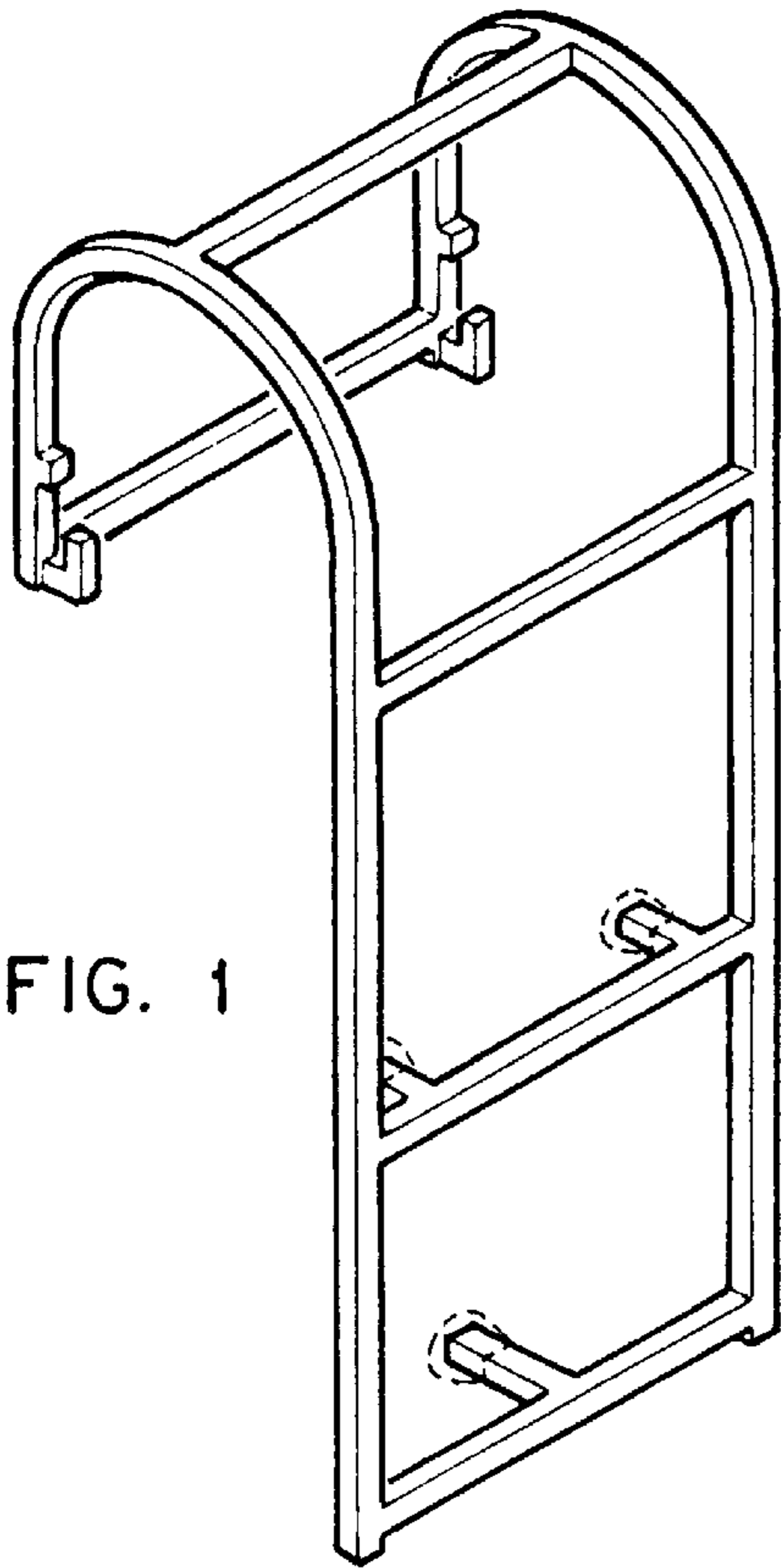


FIG. 1

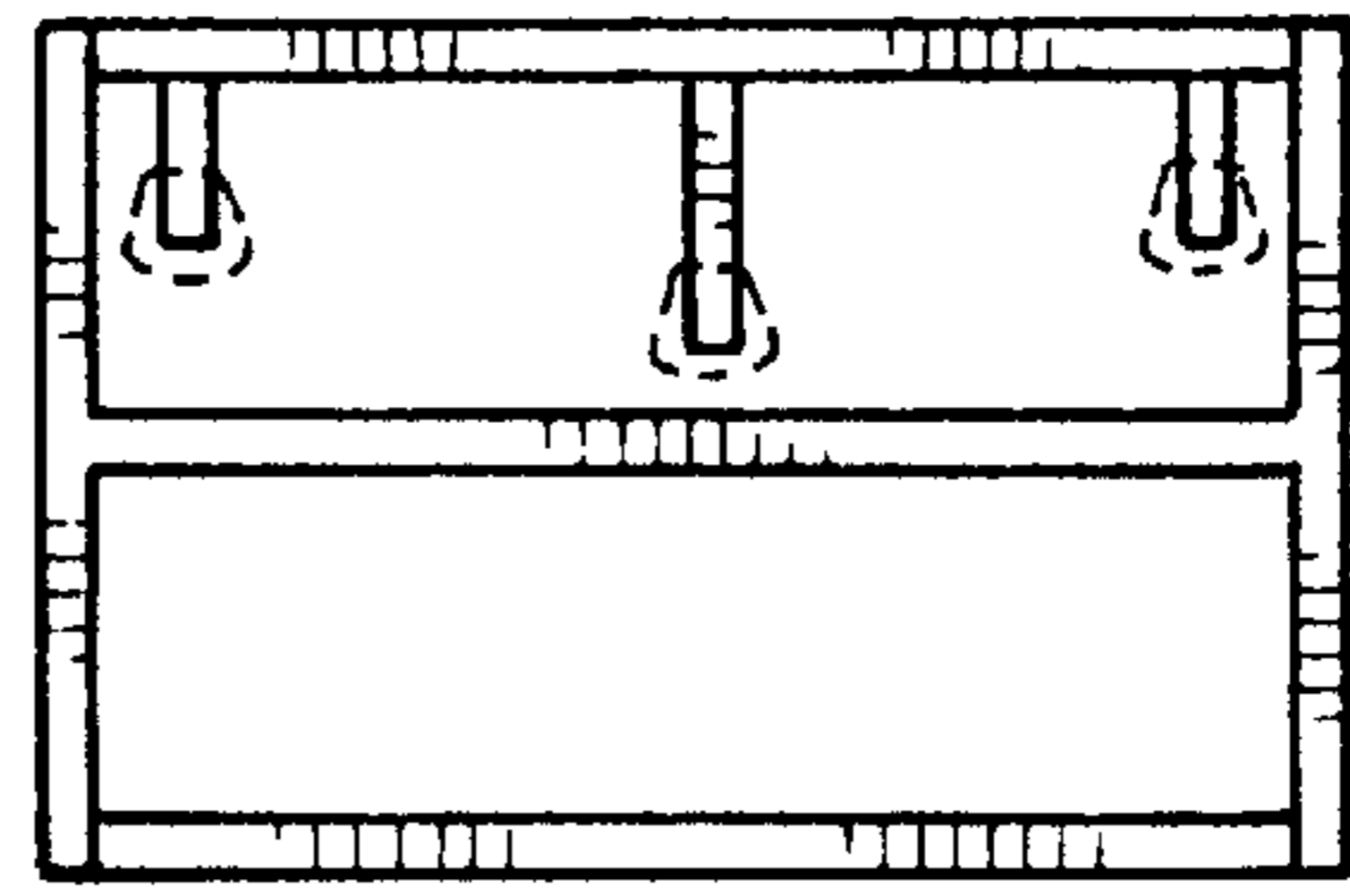


FIG. 2

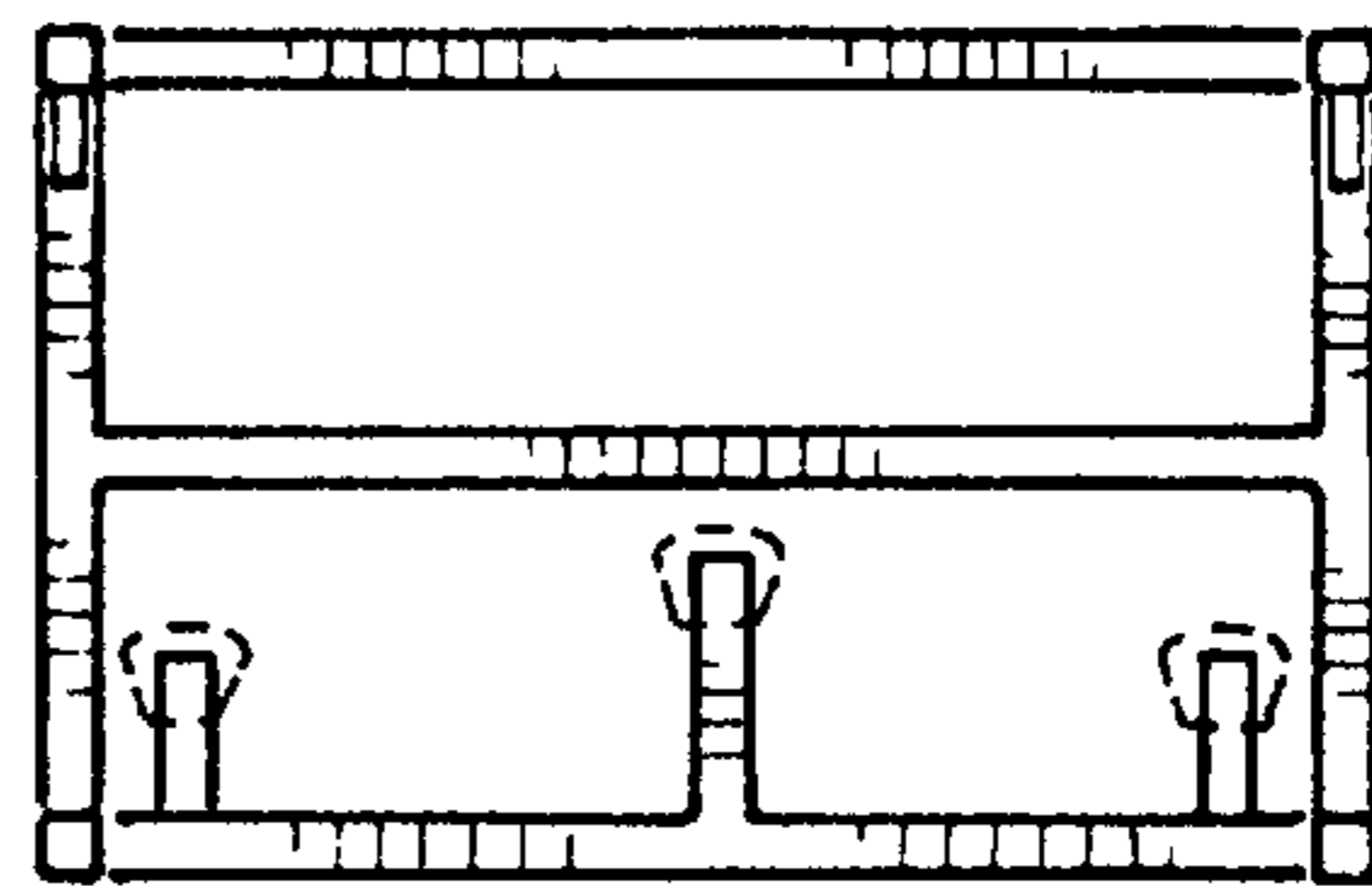


FIG. 3

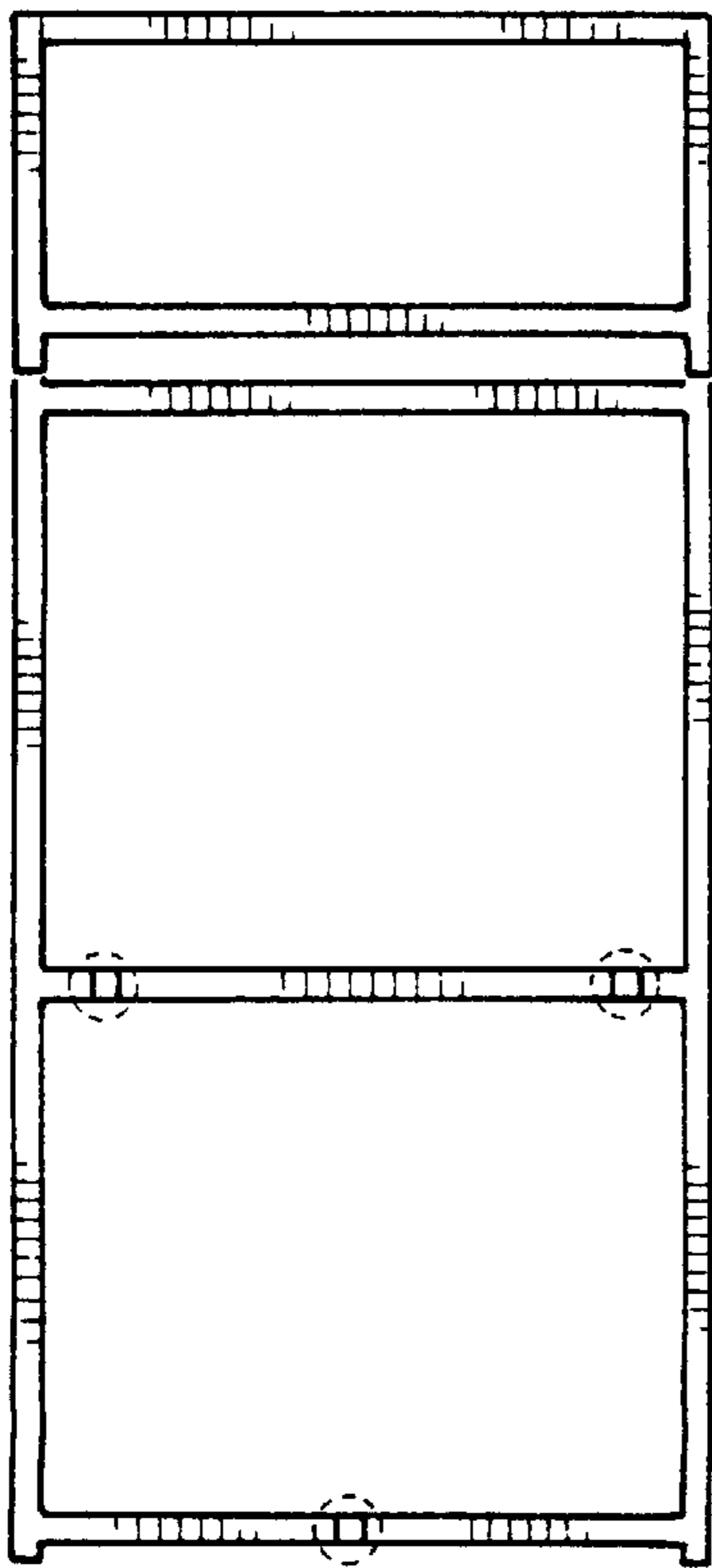


FIG. 4

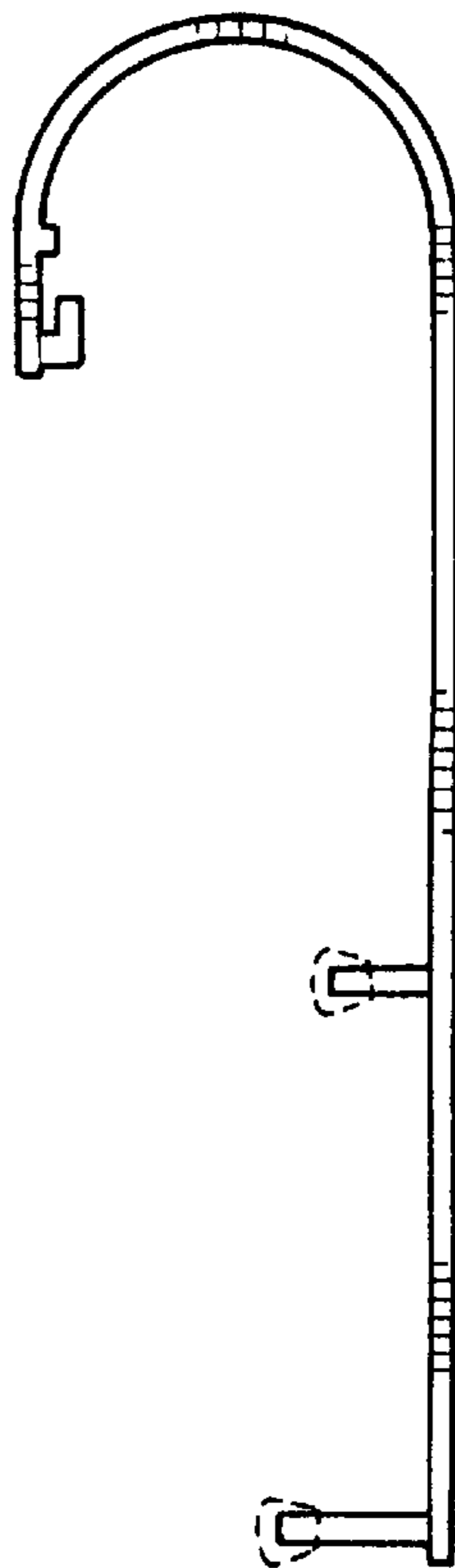


FIG. 5

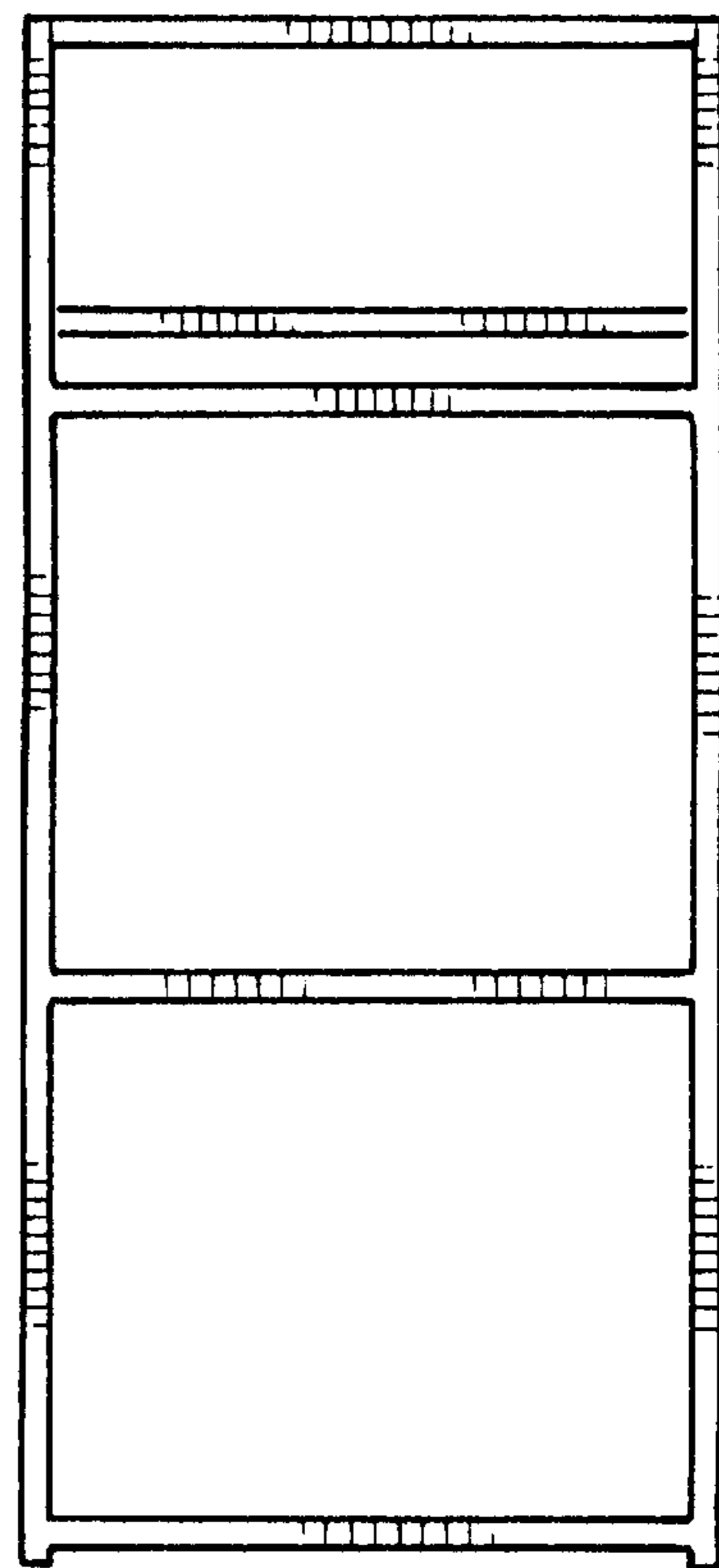


FIG. 6