



US00D479880S

(12) **United States Design Patent**
Michaels

(10) **Patent No.:** **US D479,880 S**

(45) **Date of Patent:** **** Sep. 23, 2003**

(54) **BUILDING**

D283,622 S * 4/1986 Crosby et al. D25/10
D291,356 S * 8/1987 Sapieha D25/10

(76) Inventor: **David Michaels**, 1350 E. Flamingo Rd.,
#432, Las Vegas, NV (US) 89119

* cited by examiner

(**) Term: **14 Years**

Primary Examiner—Doris Clark
(74) *Attorney, Agent, or Firm*—Anderson & Morishita;
Robert Ryan Morishita

(21) Appl. No.: **29/176,116**

(22) Filed: **Feb. 18, 2003**

(57) **CLAIM**

(65) **Prior Publication Data**

The ornamental design for a building, as shown and described.

(65)

Related U.S. Application Data

DESCRIPTION

(62) Division of application No. 29/165,788, filed on Aug. 16,
2002.

FIG. 1 is a front elevated perspective view of a building according to the present invention;

(51) **LOC (7) Cl.** **25-03**

FIG. 2 is a top view of the building of FIG. 1;

(52) **U.S. Cl.** **D25/10**

FIG. 3 is a left side view of the building of FIG. 1;

(58) **Field of Search** D25/10, 7; 52/79.1

FIG. 4 is a front view of the building of FIG. 1;

FIG. 5 is a right side view of the building of FIG. 1; and,

FIG. 6 is a rear view of the building of FIG. 1.

(56) **References Cited**

The broken lines are for illustrative purposes only, and form no part of the claimed design.

U.S. PATENT DOCUMENTS

D220,382 S * 4/1971 Cooper D25/10

1 Claim, 6 Drawing Sheets

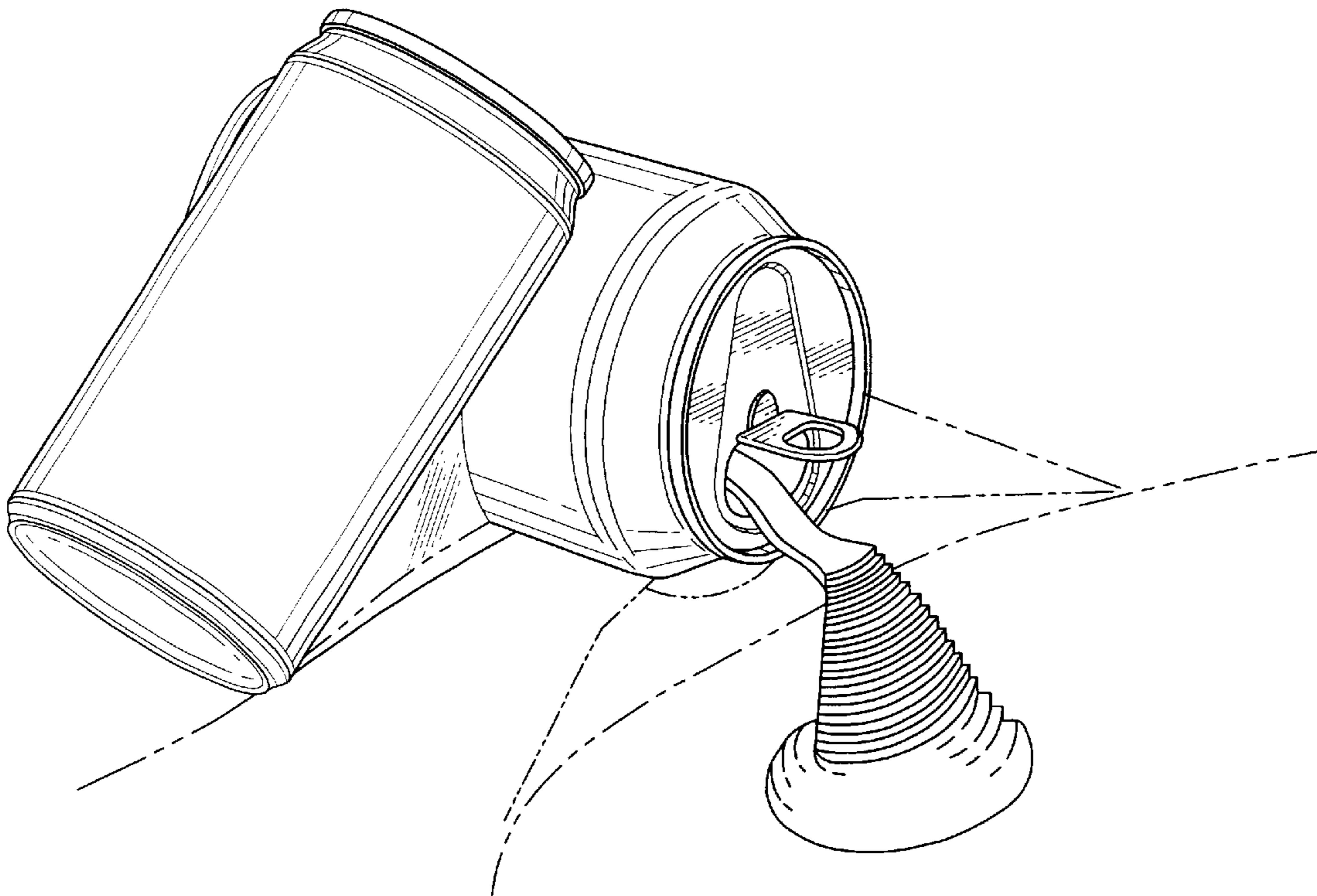
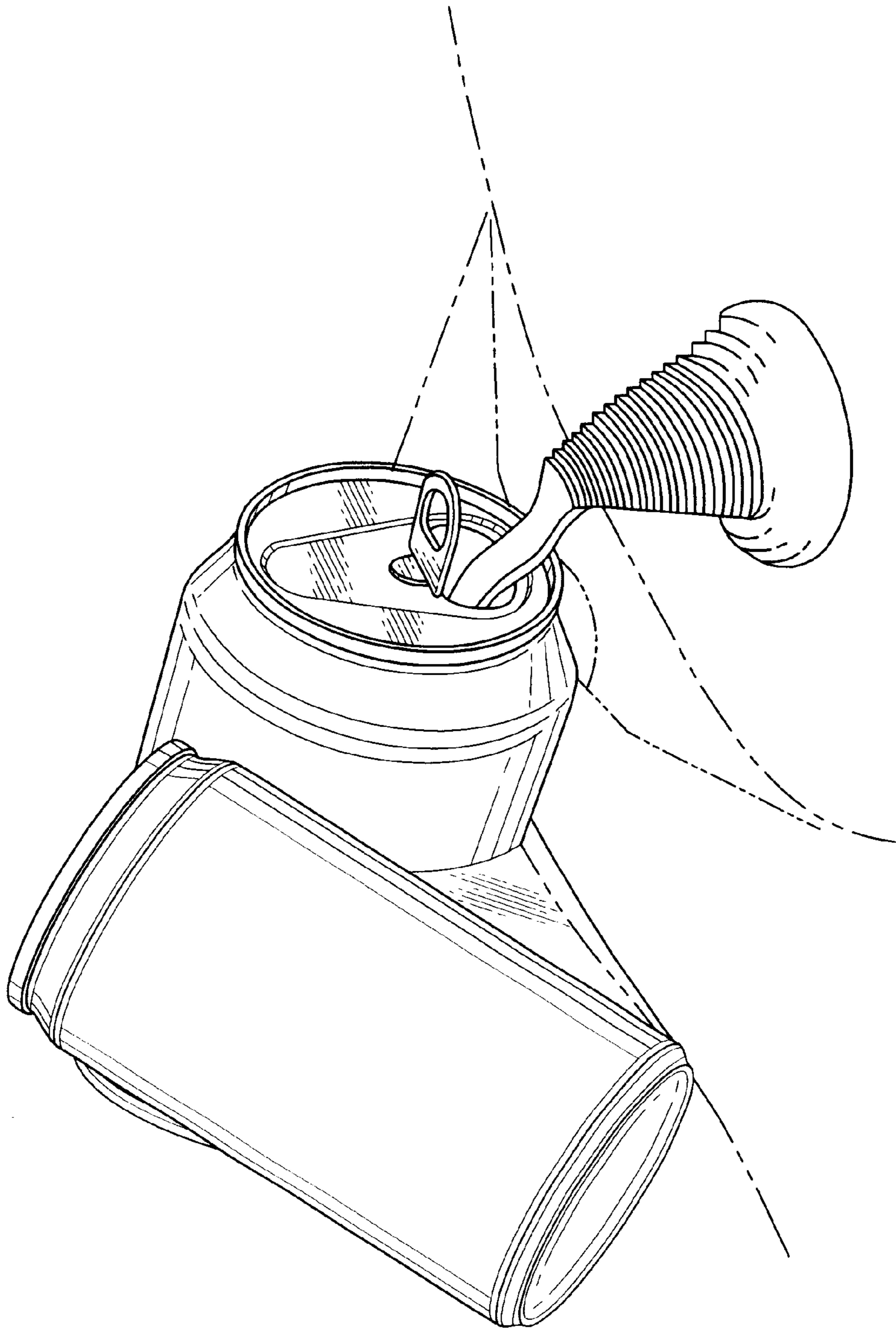


FIG. 1



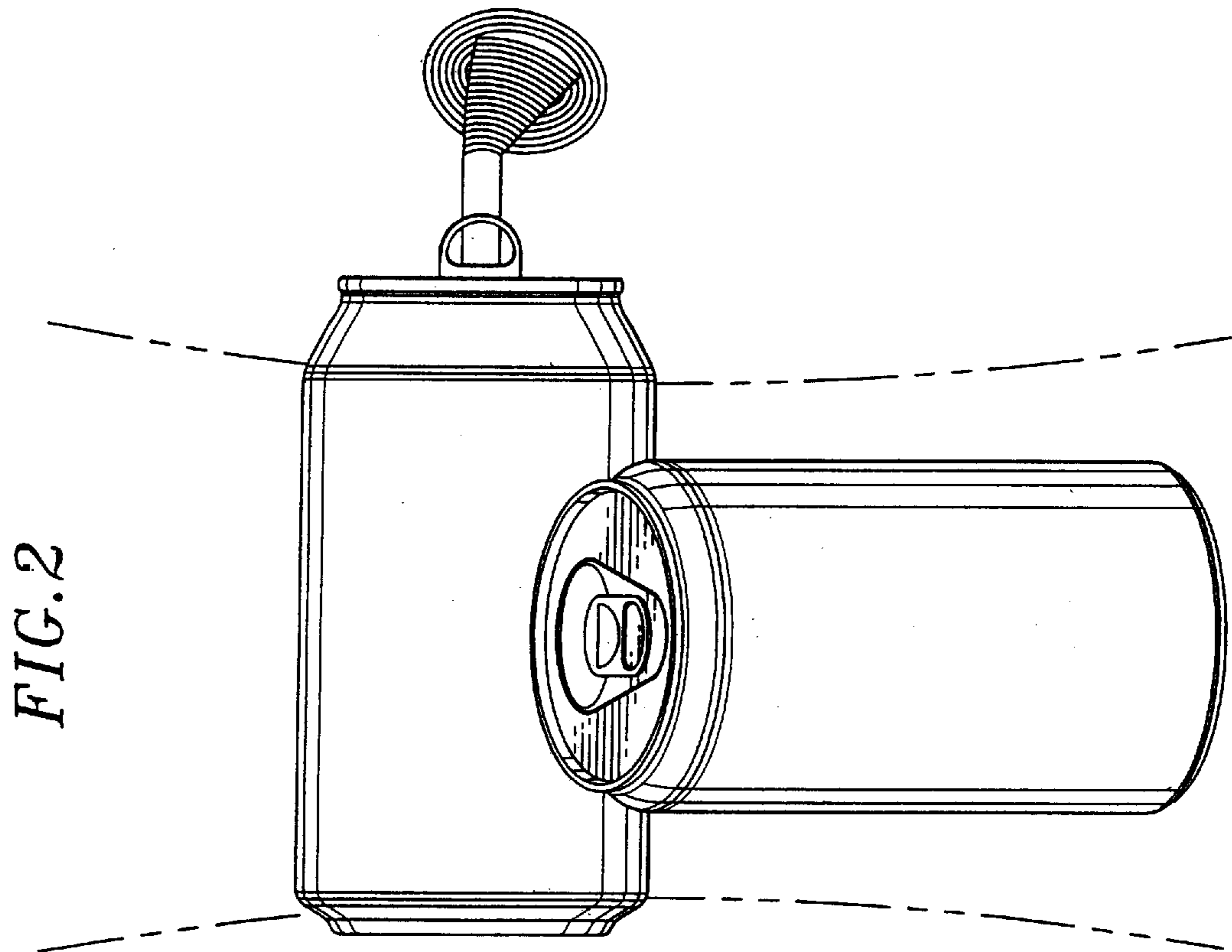


FIG. 2

FIG. 3

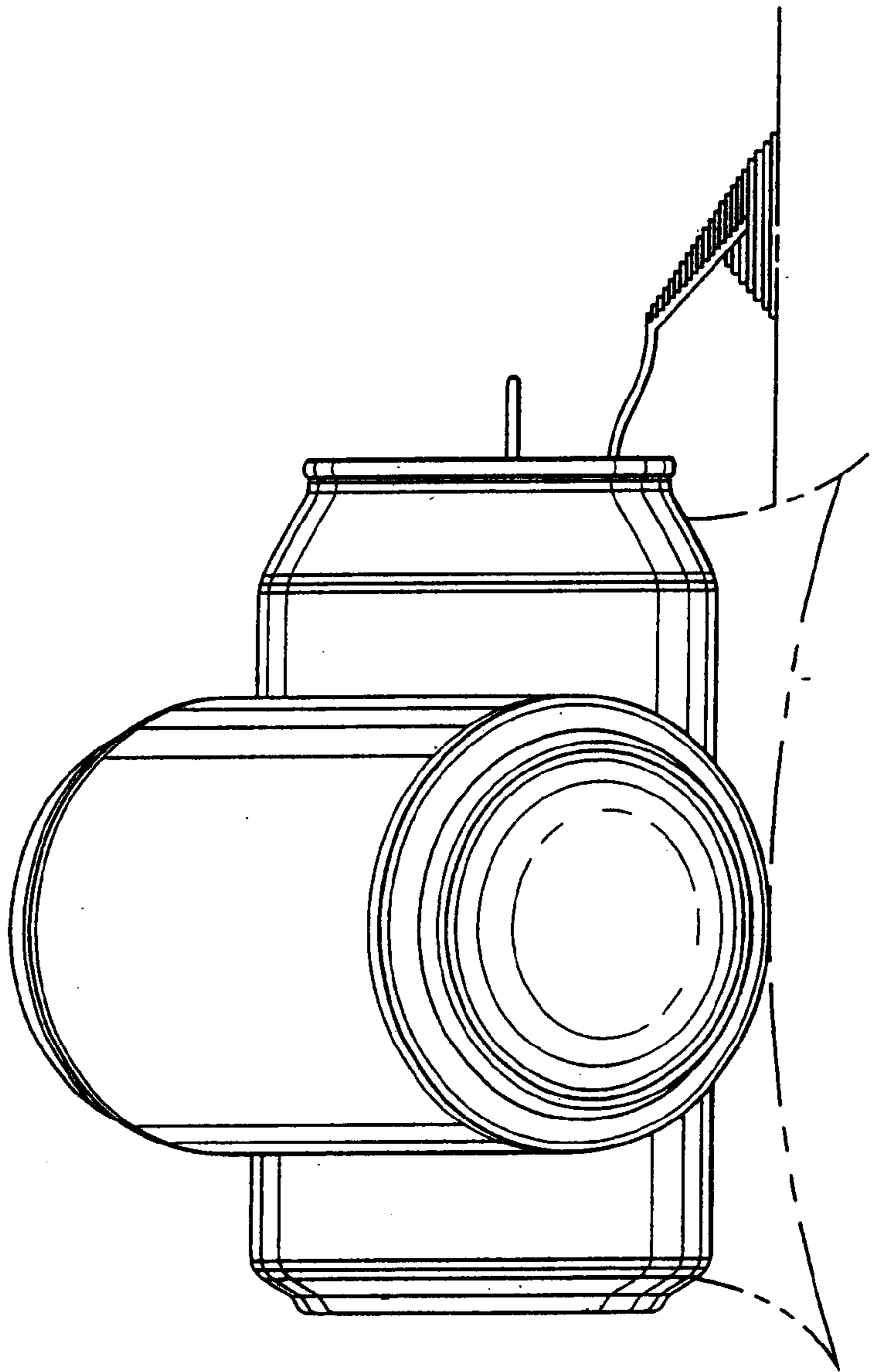


FIG. 4

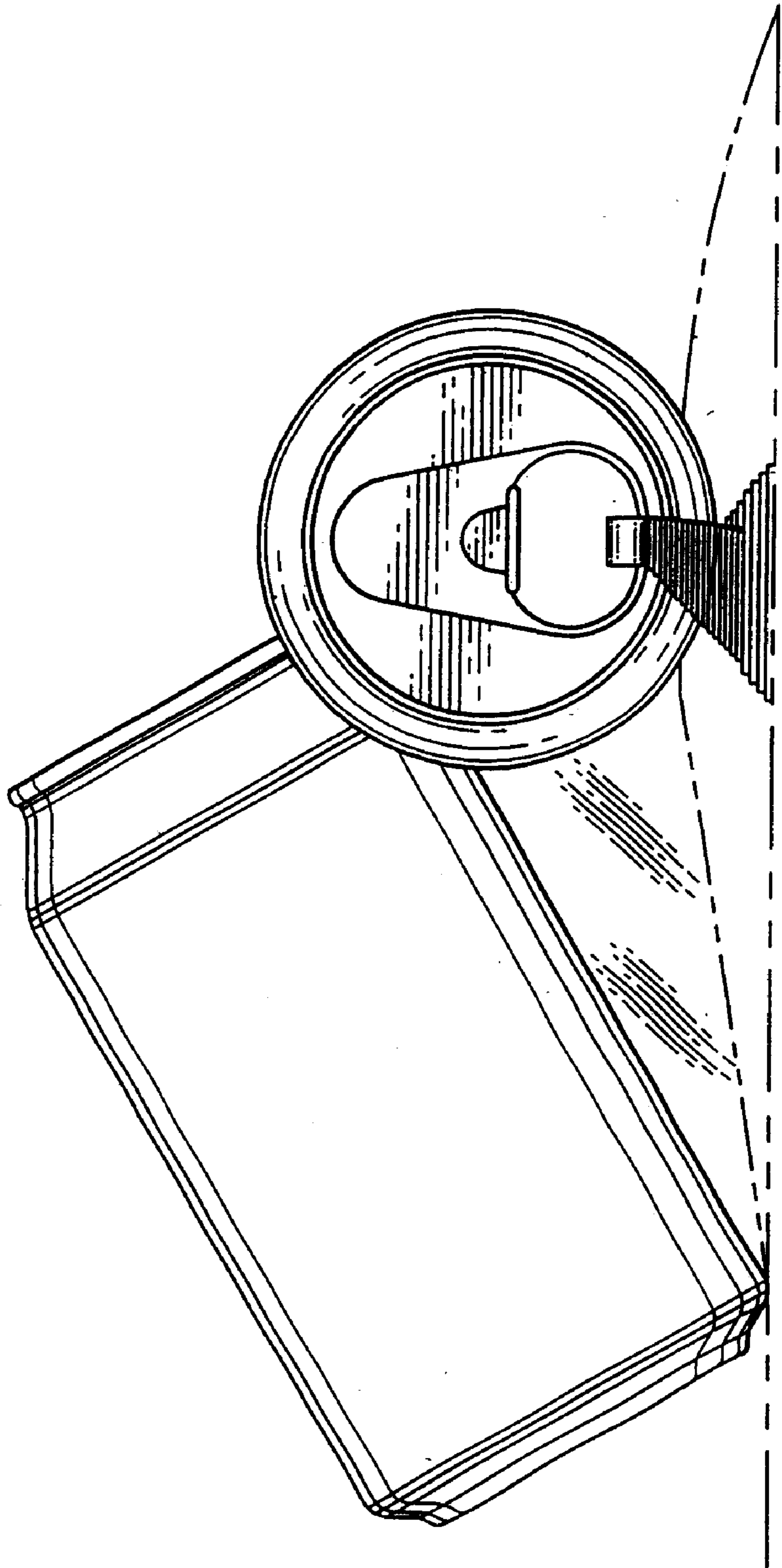


FIG. 5

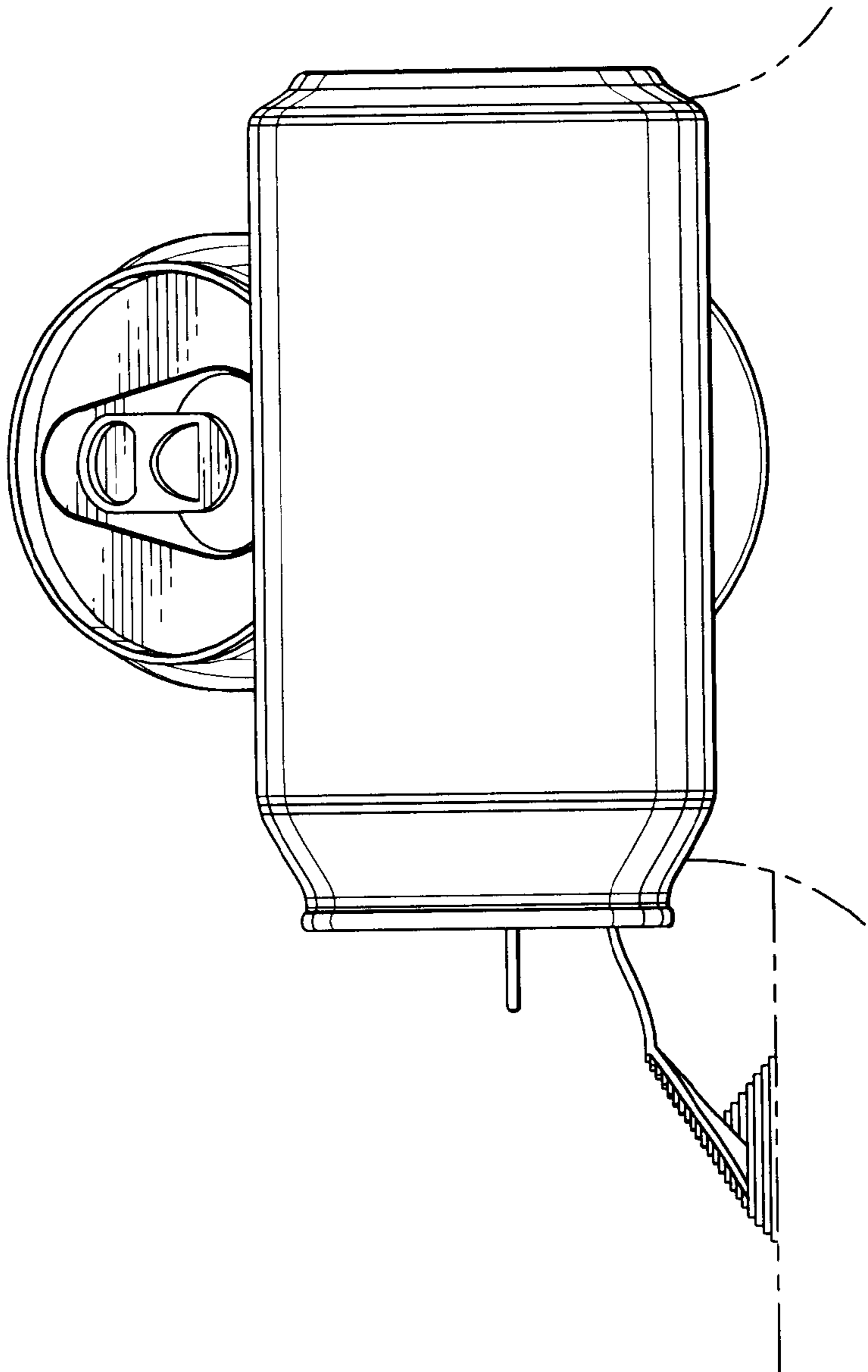


FIG. 6

