



US00D479878S

(12) **United States Design Patent**
Phillips et al.

(10) **Patent No.:** **US D479,878 S**

(45) **Date of Patent:** **** Sep. 23, 2003**

(54) **IMMOBILIZER**

(75) Inventors: **Sean Phillips**, New Paltz, NY (US);
James Traut, Poughkeepsie, NY (US);
Mark Rosen, Hackensack, NJ (US);
Mirzat Koc, Brooklyn, NY (US);
Andrew Serbinski, Annandale, NJ (US)

(73) Assignee: **Laerdal Medical Corporation**,
Wappinger Falls, NY (US)

(**) Term: **14 Years**

(21) Appl. No.: **29/152,258**

(22) Filed: **Dec. 12, 2001**

(51) **LOC (7) Cl.** **24-04**

(52) **U.S. Cl.** **D24/191**

(58) **Field of Search** D24/191, 190;
602/17, 18, 5; 128/869, 870, 857, DIG. 23;
5/636, 637, 643, 628

(56) **References Cited**

U.S. PATENT DOCUMENTS

4,571,757 A * 2/1986 Zolecki 5/628
5,081,665 A * 1/1992 Kostich 5/637

5,265,625 A * 11/1993 Bodman 5/637
D384,155 S * 9/1997 Crist D24/191
6,244,270 B1 * 6/2001 Lutian et al. 128/869
6,435,188 B2 * 8/2002 Tyrrell 128/870

* cited by examiner

Primary Examiner—Stella Reid

(74) *Attorney, Agent, or Firm*—Frommer Lawrence &
Haug LLP

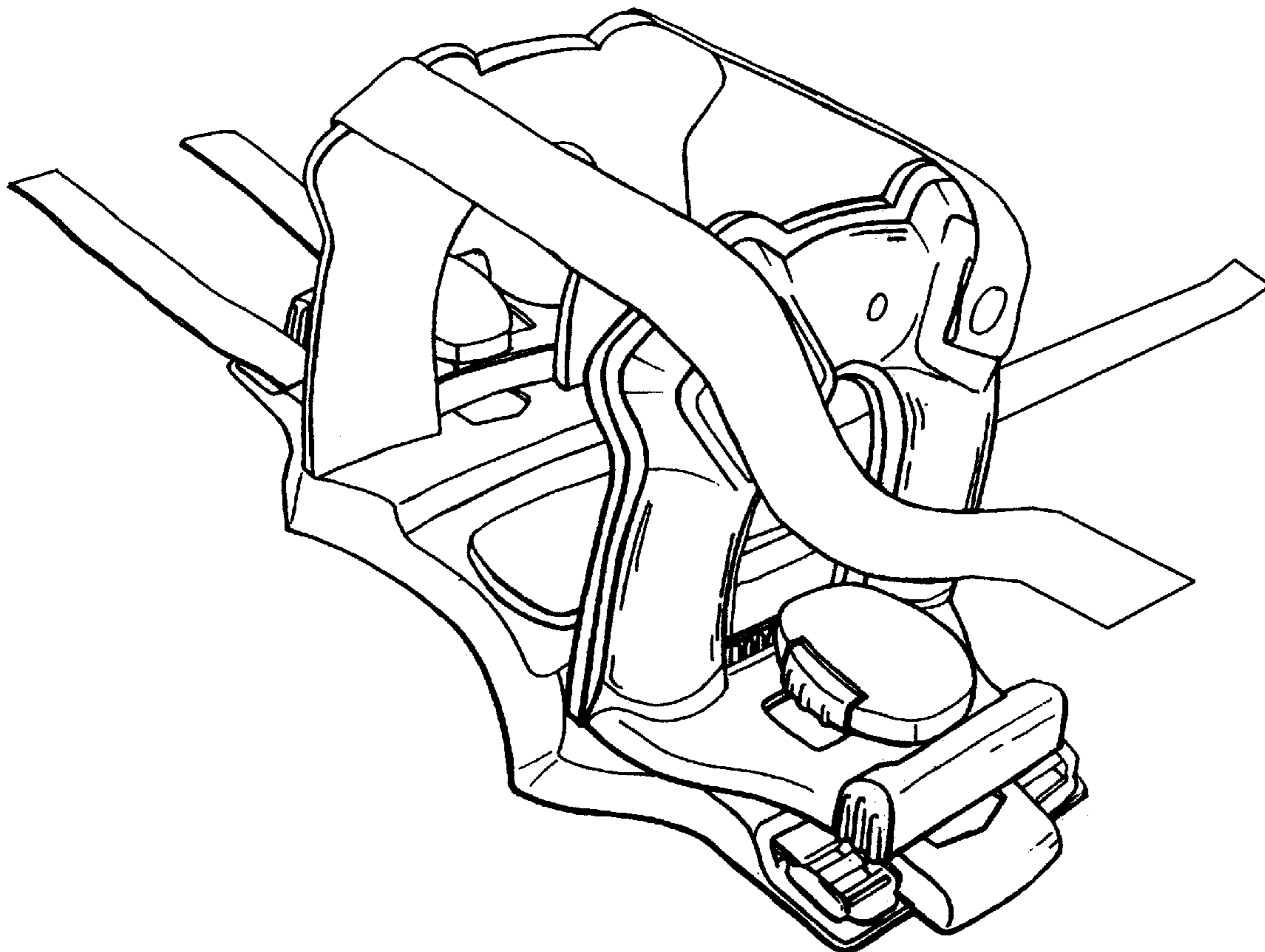
(57) **CLAIM**

The ornamental design for an immobilizer, as shown and described.

DESCRIPTION

FIG. 1 is a top plan view of an immobilizer showing the new design;
FIG. 2 is a bottom plan view thereof;
FIG. 3 is a front elevational view thereof;
FIG. 4 is a rear elevational view thereof;
FIG. 5 is a right side elevational view thereof;
FIG. 6 is a left side elevational view thereof;
FIG. 7 is a top perspective view thereof; and,
FIG. 8 is a top perspective view of a base member thereof.

1 Claim, 8 Drawing Sheets



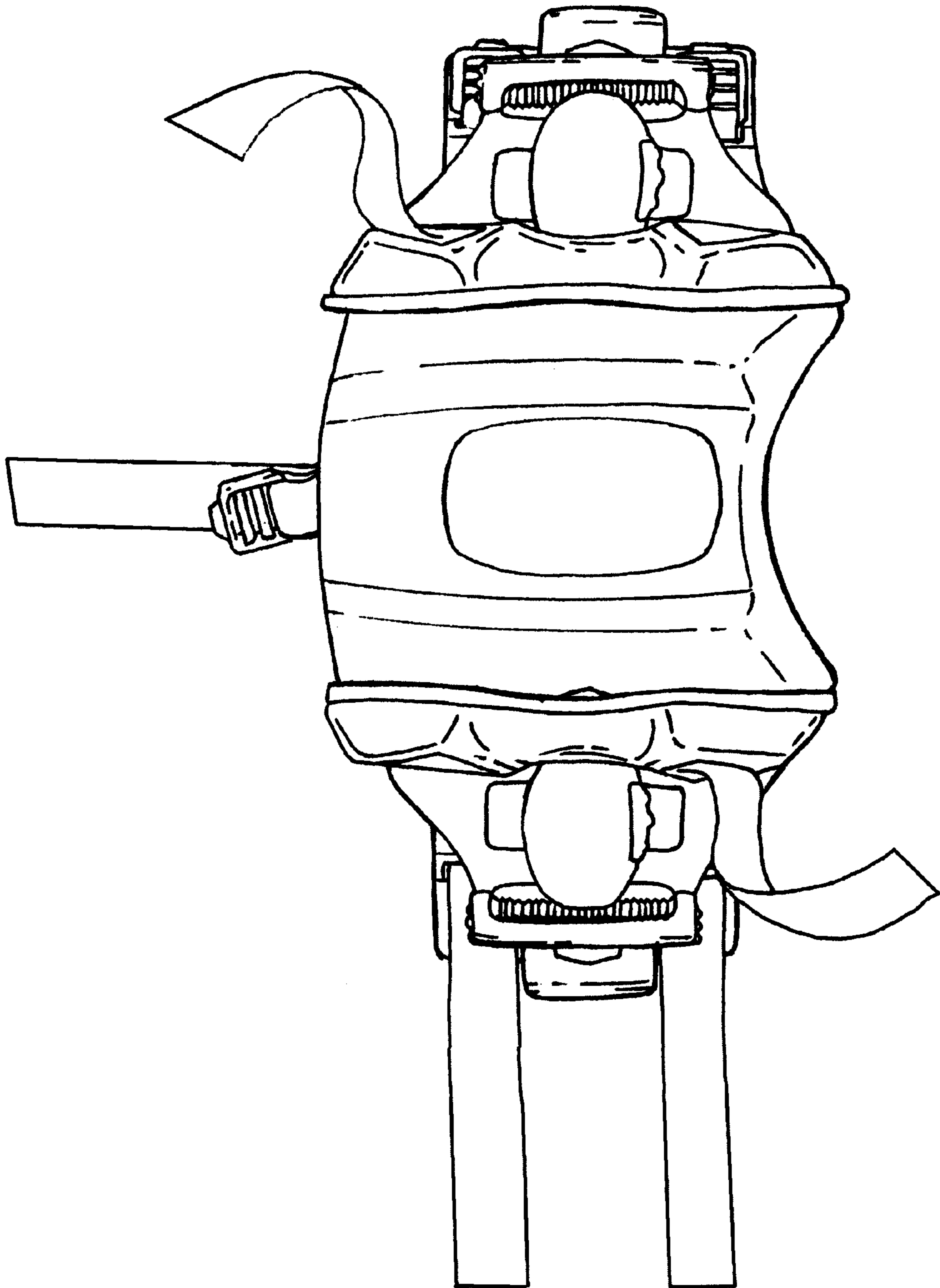


FIG. 1

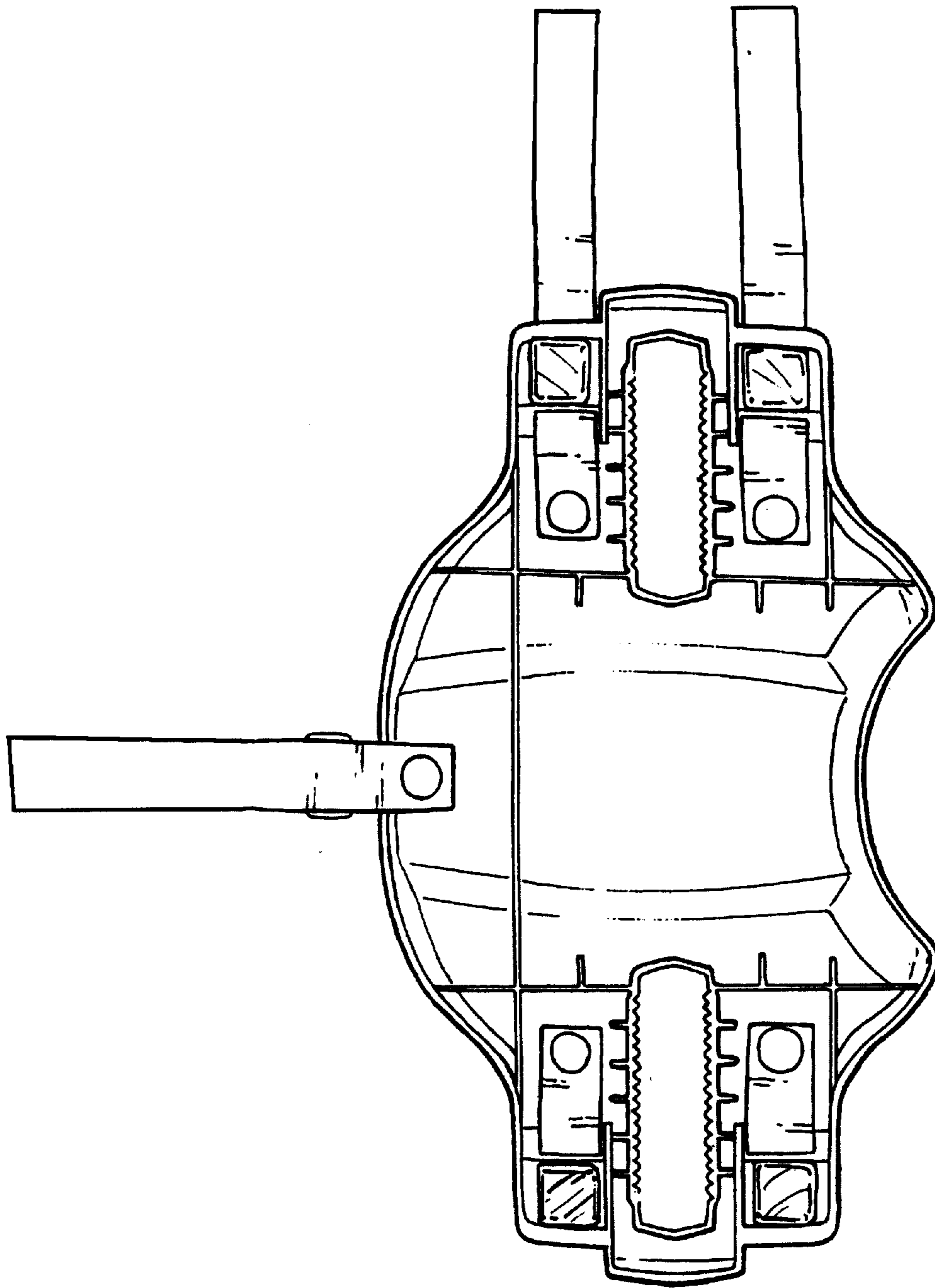


FIG. 2

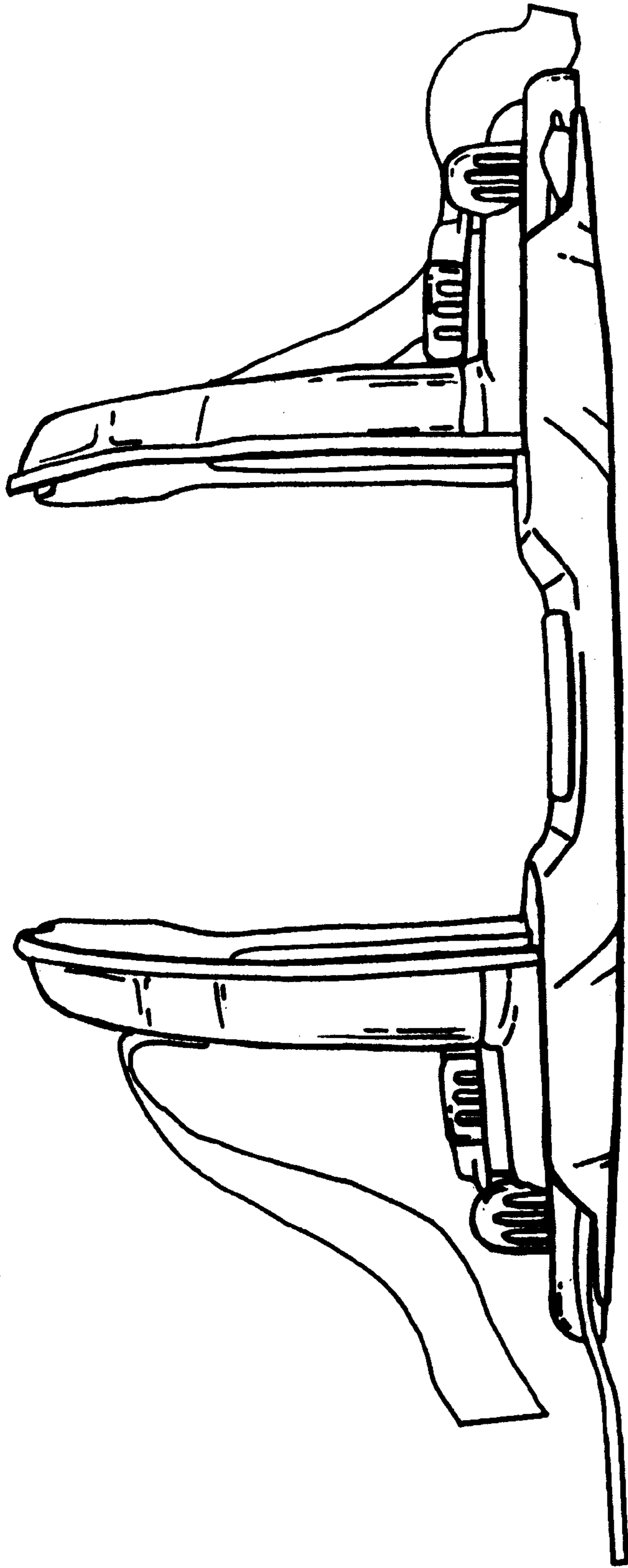


FIG. 3

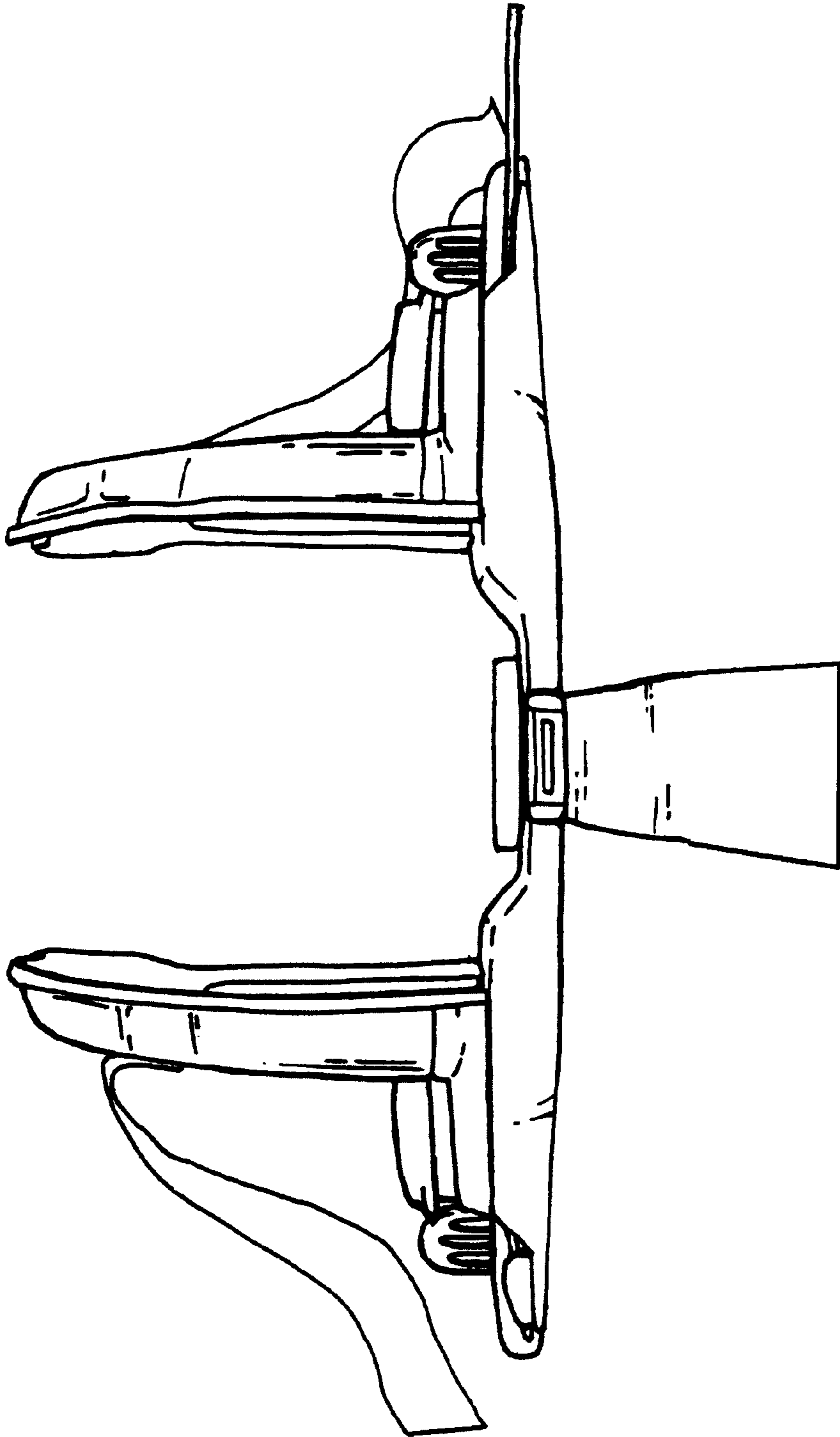


FIG. 4

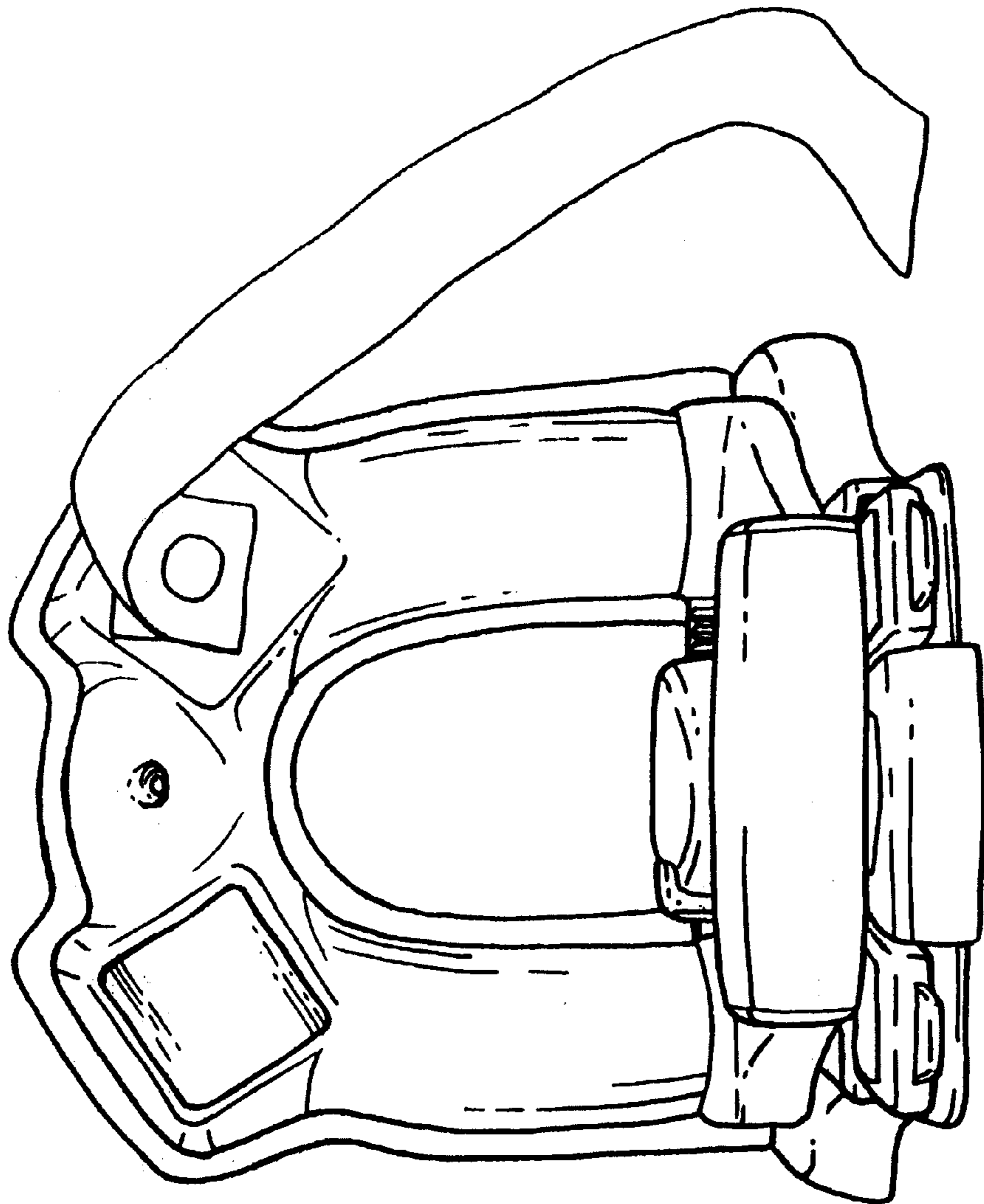


FIG. 5

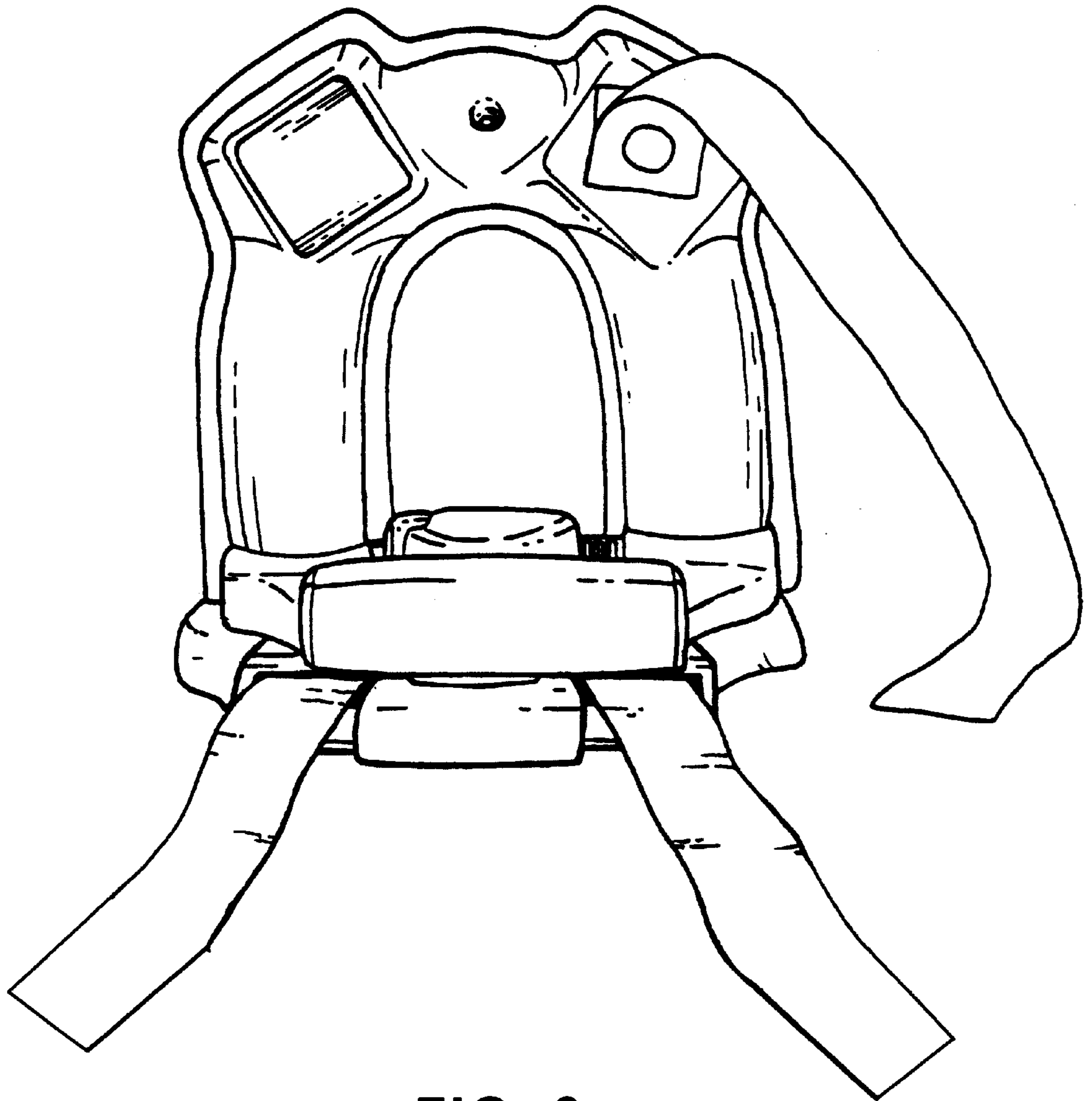


FIG. 6

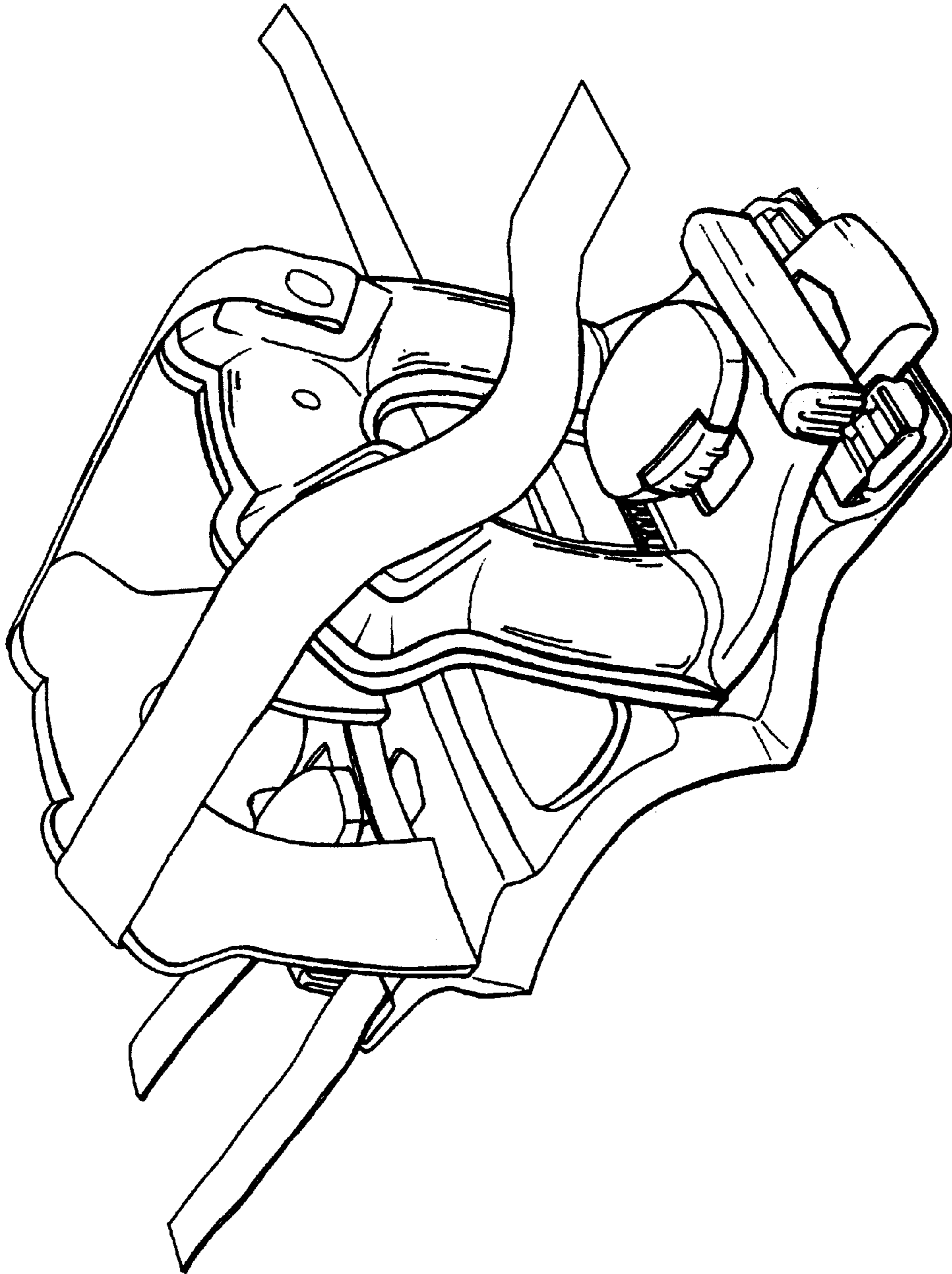


FIG. 7

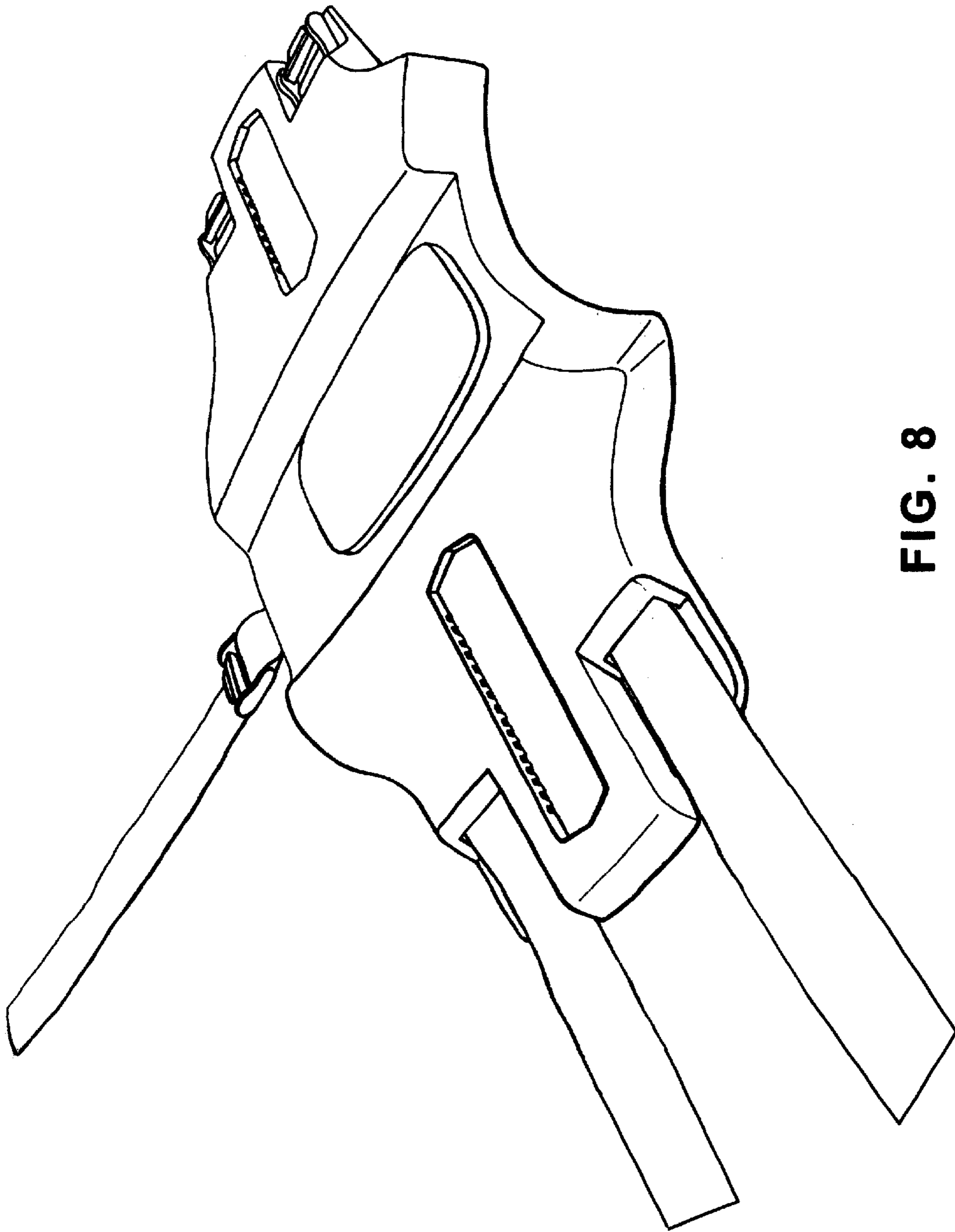


FIG. 8