



US00D479876S

(12) **United States Design Patent**
Gradon et al.

(10) **Patent No.:** **US D479,876 S**

(45) **Date of Patent:** **** Sep. 23, 2003**

(54) **MOUTHPIECE**

(75) Inventors: **Lewis George Gradon**, Auckland (NZ);
Alastair Edwin McAuley, Auckland
(NZ); **Mark Joseph Haycock**,
Auckland (NZ); **Nicholas Charles Alan
Smith**, Auckland (NZ)

(73) Assignee: **Fisher & Paykel Healthcare Limited**,
Auckland (NZ)

(**) Term: **14 Years**

(21) Appl. No.: **29/149,551**

(22) Filed: **Oct. 12, 2001**

(51) **LOC (7) Cl.** **29-02**

(52) **U.S. Cl.** **D24/110.5; D24/110**

(58) **Field of Search** D24/110.5, 110.6,
D24/110.1, 110; 128/207.14, 206.24, 202.28,
206.29

(56) **References Cited**

U.S. PATENT DOCUMENTS

1,177,383	A	3/1916	Claren	
1,592,345	A	7/1926	Drager	
3,013,554	A *	12/1961	Safar et al.	128/202.28
3,060,927	A *	10/1962	Gattone	128/202.28
3,303,845	A *	2/1967	Detmer, III	D24/110.5
3,670,726	A	6/1972	Mahon et al.	
3,682,164	A	8/1972	Miller	
4,170,230	A	10/1979	Nelson	
4,230,106	A	10/1980	Geeslin et al.	

(List continued on next page.)

FOREIGN PATENT DOCUMENTS

AU	199943458	3/2000
AU	200048919	10/2000
DE	3543931	6/1987
DE	4445652	6/1996
EP	818213	1/1998
EP	845277	6/1998
EP	0979662	2/2000

EP	1075848	2/2001
JP	2000051357	2/2000
JP	2001079091	3/2001
WO	WO9003199	4/1990
WO	WO9100075	1/1991
WO	WO9603173	8/1996

OTHER PUBLICATIONS

SDDS Report, A Quarterly Publication of the Sleep Disorders Dental Society, Oral Positive Airway Pressure by the OPAP Dental Appliance Reduces Mild to Severe Obstructive Sleep Apnea, Jun. 1998, pp. 1 and 4.

Journal of the Dental association of South Africa, Clinical trial of an oral vestibular shield for the control of snoring, Jan. 1993, pp. 15, 16 and 17.

One sheet of pictures of prior art Mouthpiece.

One sheet of pictures of prior art Mouthpiece.

One sheet of pictures of prior art Mouthpiece.

One sheet of pictures of prior art Mouthpiece.

One sheet of pictures of prior art Mouthpiece.

One sheet of pictures of prior art Mouthpiece.

Primary Examiner—Ian Simmons

(74) *Attorney, Agent, or Firm*—Trexler, Bushnell,

Giangiorgi, Blackstone & Marr, Ltd.

(57) **CLAIM**

The ornamental design for a mouthpiece, as shown and described.

DESCRIPTION

FIG. 1 is an exploded top plan view of the mouthpiece showing our new design.

FIG. 2 is a front view of the mouthpiece shown in FIG. 1.

FIG. 3 is a rear view of the mouthpiece shown in FIG. 1.

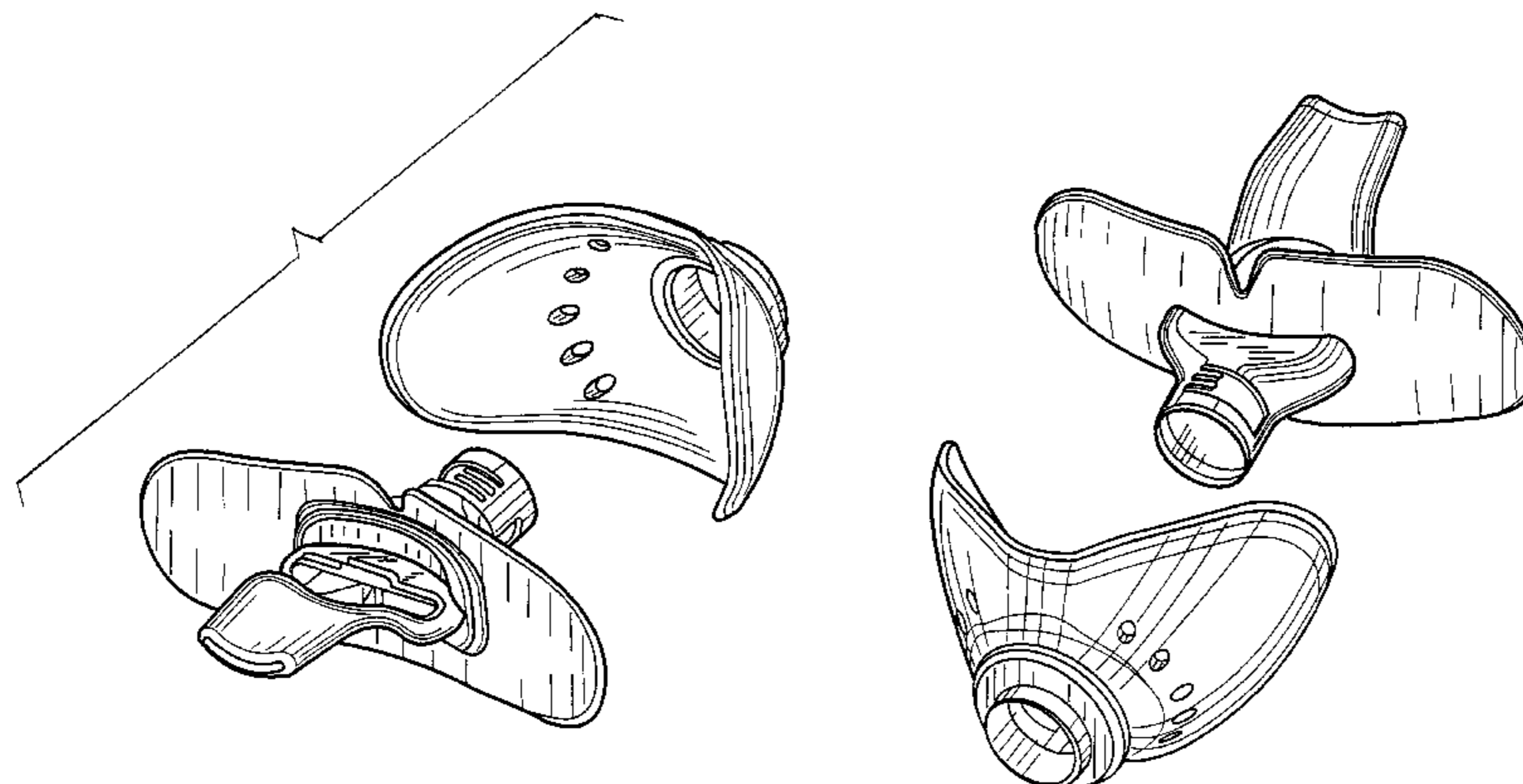
FIG. 4 is a left side view of the mouthpiece shown in FIG. 1 the opposite side view being a mirror image thereto.

FIG. 5 is a bottom plan view of the mouthpiece shown in FIG. 1.

FIG. 6 is a lower rear perspective view of the mouthpiece shown in FIG. 1; and,

FIG. 7 is a upper front perspective view of the mouthpiece shown in FIG. 1.

1 Claim, 7 Drawing Sheets



US D479,876 S

Page 2

U.S. PATENT DOCUMENTS

4,233,972 A	11/1980	Hauff et al.	5,590,643 A	1/1997	Flam
4,270,531 A	6/1981	Blachly et al.	5,620,011 A	4/1997	Flowers
D263,166 S	* 2/1982	Bushman D24/110	5,624,257 A	4/1997	Farrell
4,331,141 A	5/1982	Pokhis	5,626,128 A	5/1997	Bradley et al.
4,360,017 A	* 11/1982	Barlett 128/202.28	5,638,811 A	6/1997	David
4,495,945 A	1/1985	Liegner	5,682,878 A	11/1997	Ogden
4,862,903 A	9/1989	Campbell	5,682,904 A	11/1997	Stinnett
4,881,540 A	11/1989	Vigilia	5,752,510 A	5/1998	Goldstein
5,031,611 A	7/1991	Moles	5,792,067 A	8/1998	Karell
5,062,422 A	11/1991	Kinkade	D399,950 S	* 10/1998	Shepard D24/110.5
5,117,816 A	6/1992	Shapiro et al.	5,865,170 A	2/1999	Moles
5,174,284 A	12/1992	Jackson	5,884,625 A	3/1999	Hart
5,195,513 A	3/1993	Sinko et al.	5,906,199 A	5/1999	Budzinski
5,203,324 A	4/1993	Kinkade	5,950,624 A	9/1999	Hart
5,253,658 A	10/1993	King	5,957,133 A	9/1999	Hart
5,265,591 A	11/1993	Ferguson	6,012,455 A	1/2000	Goldstein
5,333,608 A	8/1994	Cummins	6,073,626 A	6/2000	Riffe
5,389,024 A	2/1995	Chen	6,076,526 A	6/2000	Abdelmessih
5,471,976 A	12/1995	Smith	6,079,410 A	6/2000	Winefordner et al.
5,492,114 A	2/1996	Vroman	6,089,225 A	7/2000	Brown et al.
5,513,634 A	5/1996	Jackson	6,244,865 B1	6/2001	Nelson et al.
5,533,523 A	7/1996	Bass, Jr. et al.	6,257,238 B1	7/2001	Meah
5,560,354 A	10/1996	Berthon-Jones et al.	6,263,877 B1	7/2001	Gall
5,570,702 A	11/1996	Forman			

* cited by examiner

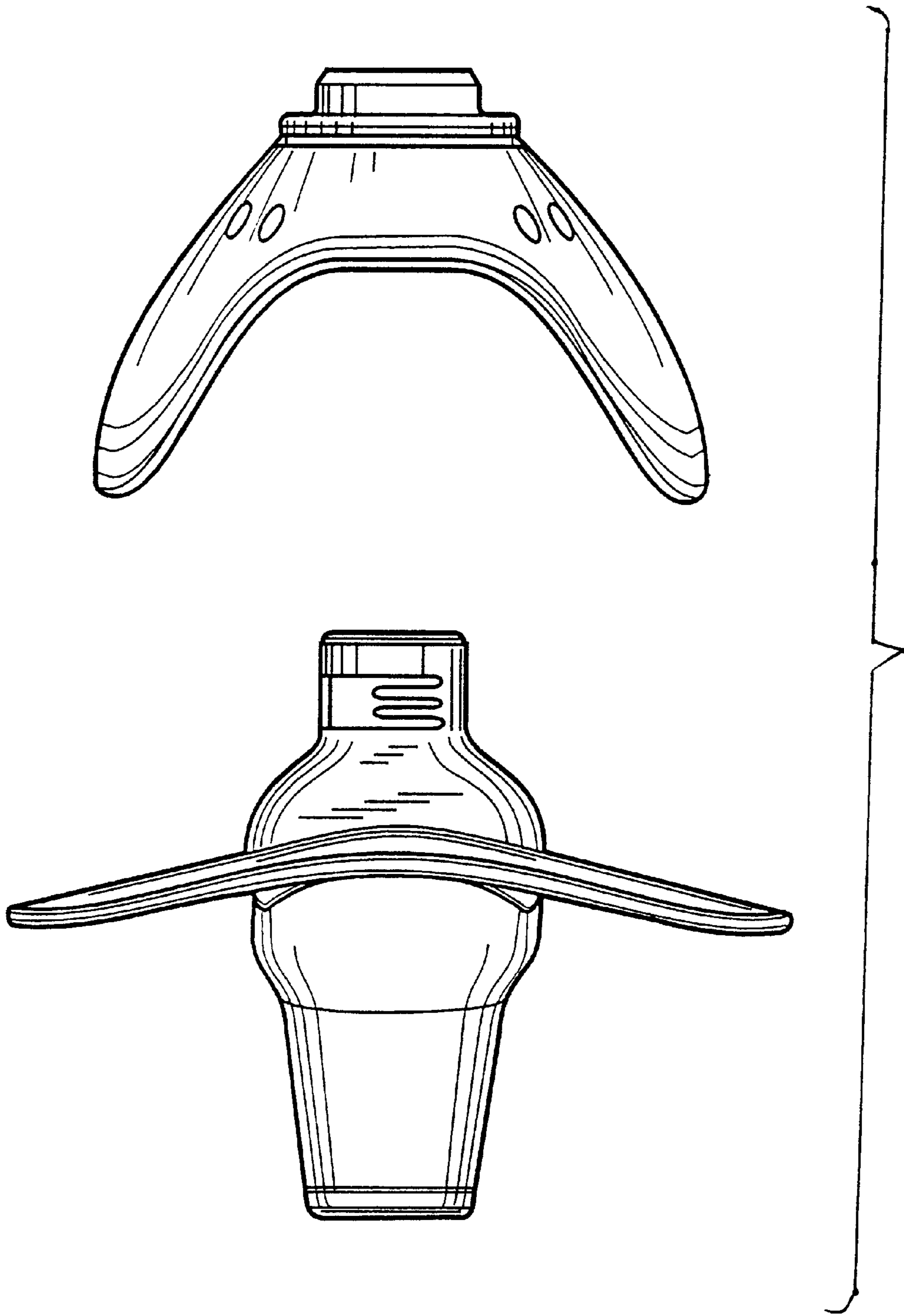


FIGURE 1

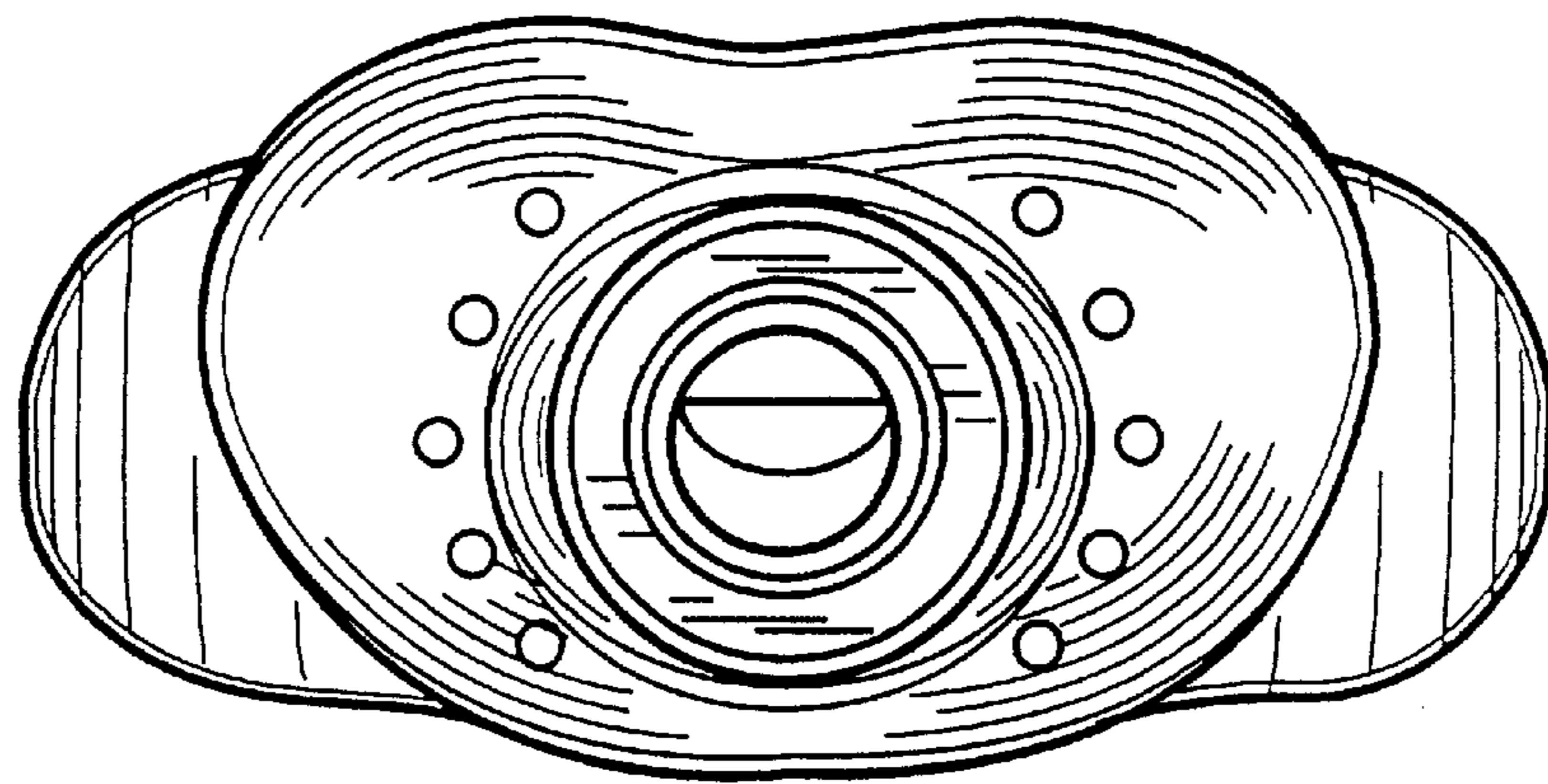


FIGURE 2

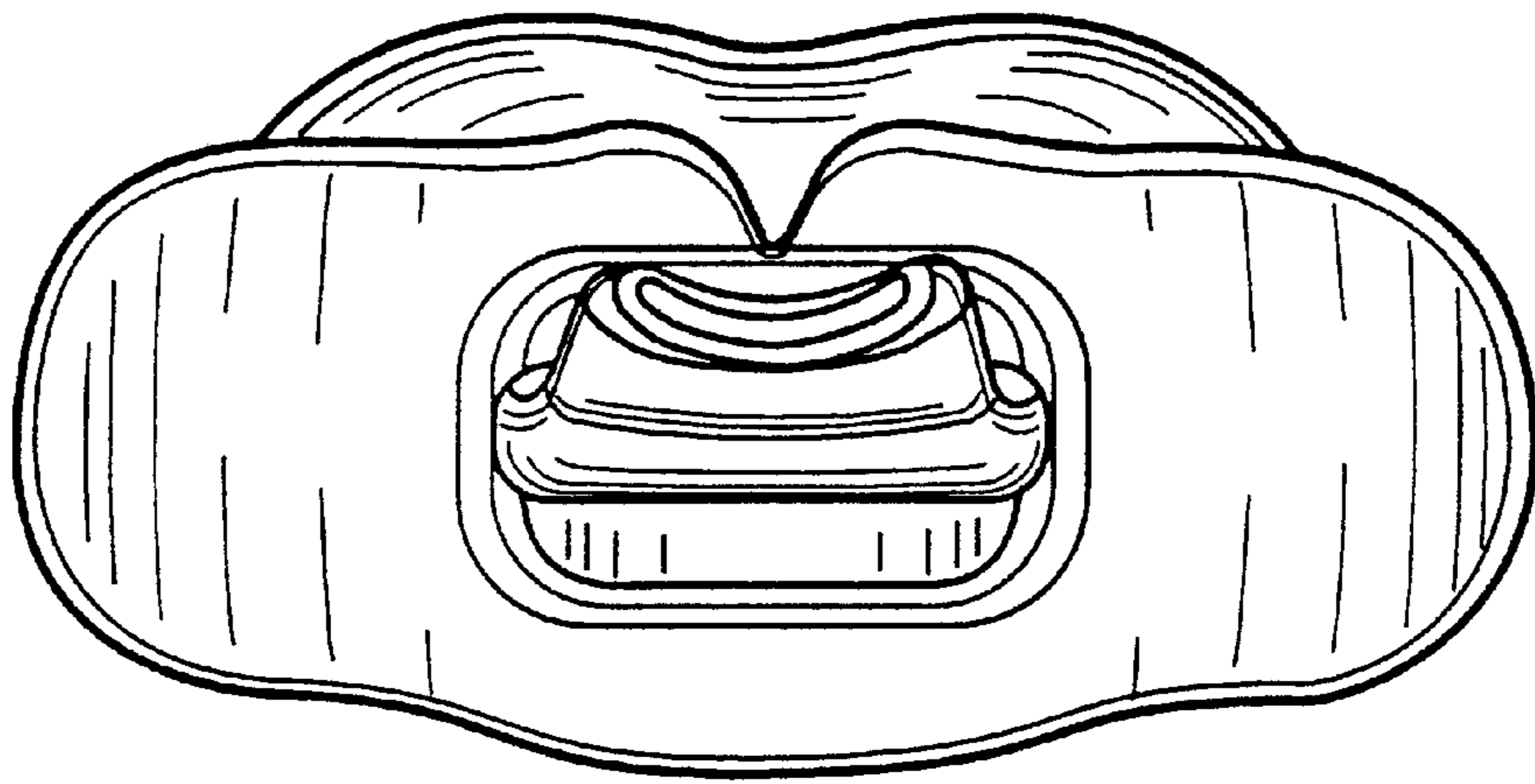


FIGURE 3

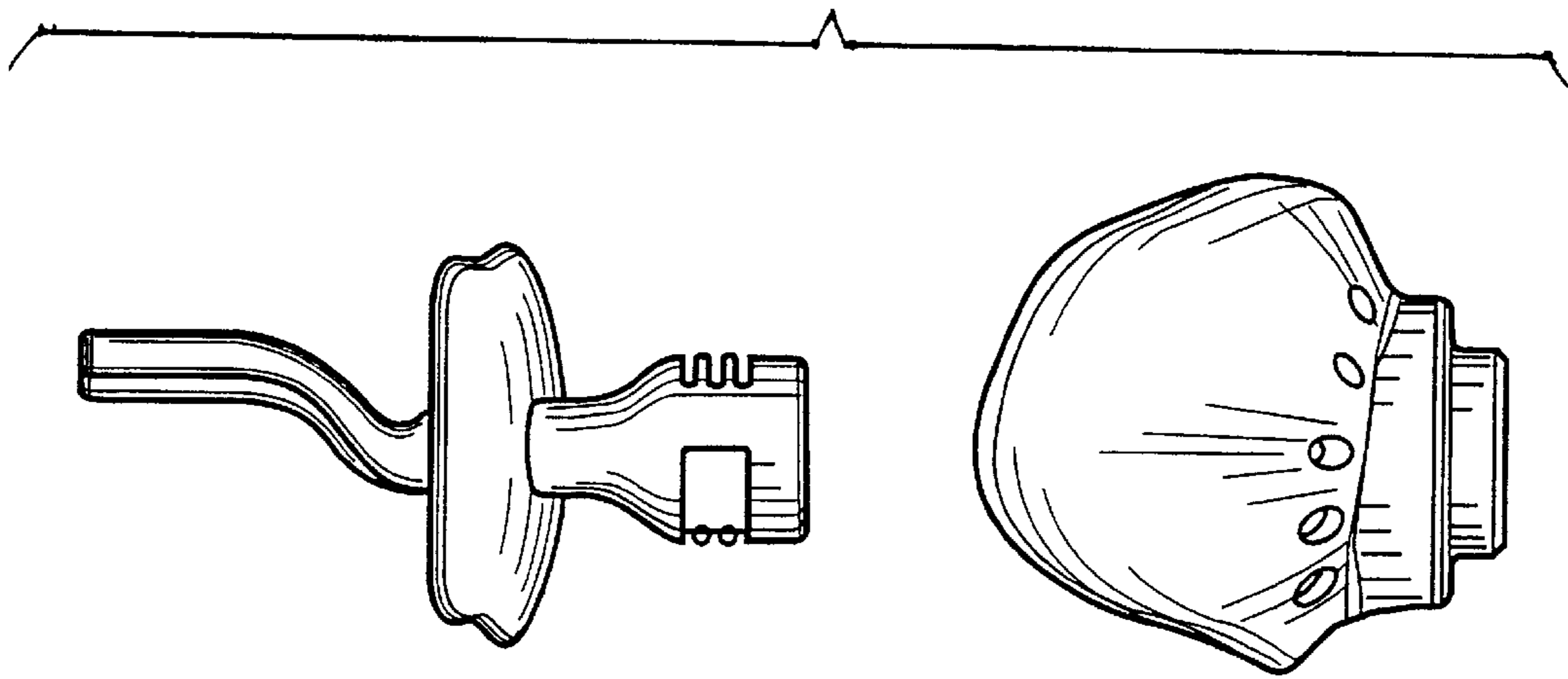


FIGURE 4

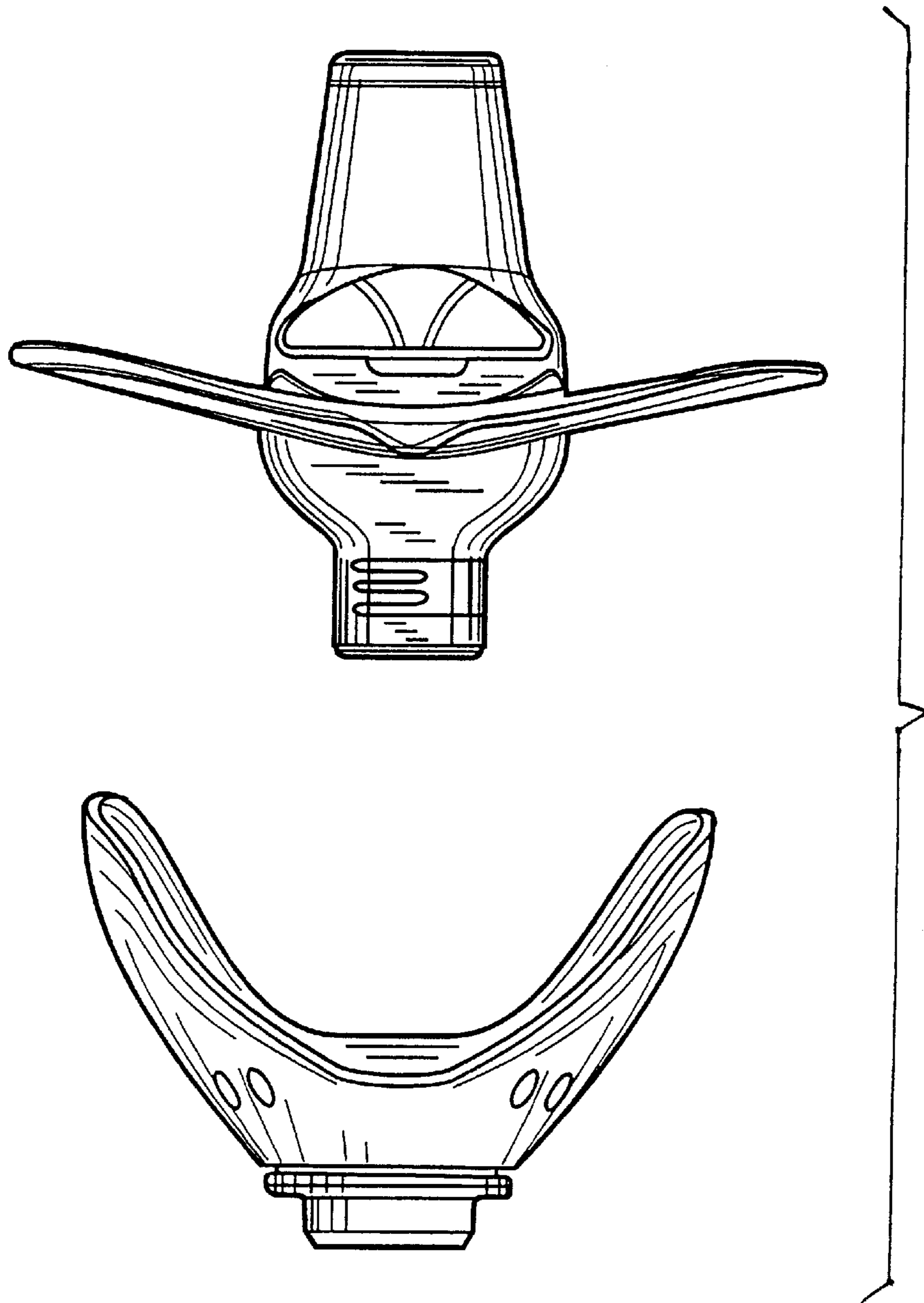


FIGURE 5

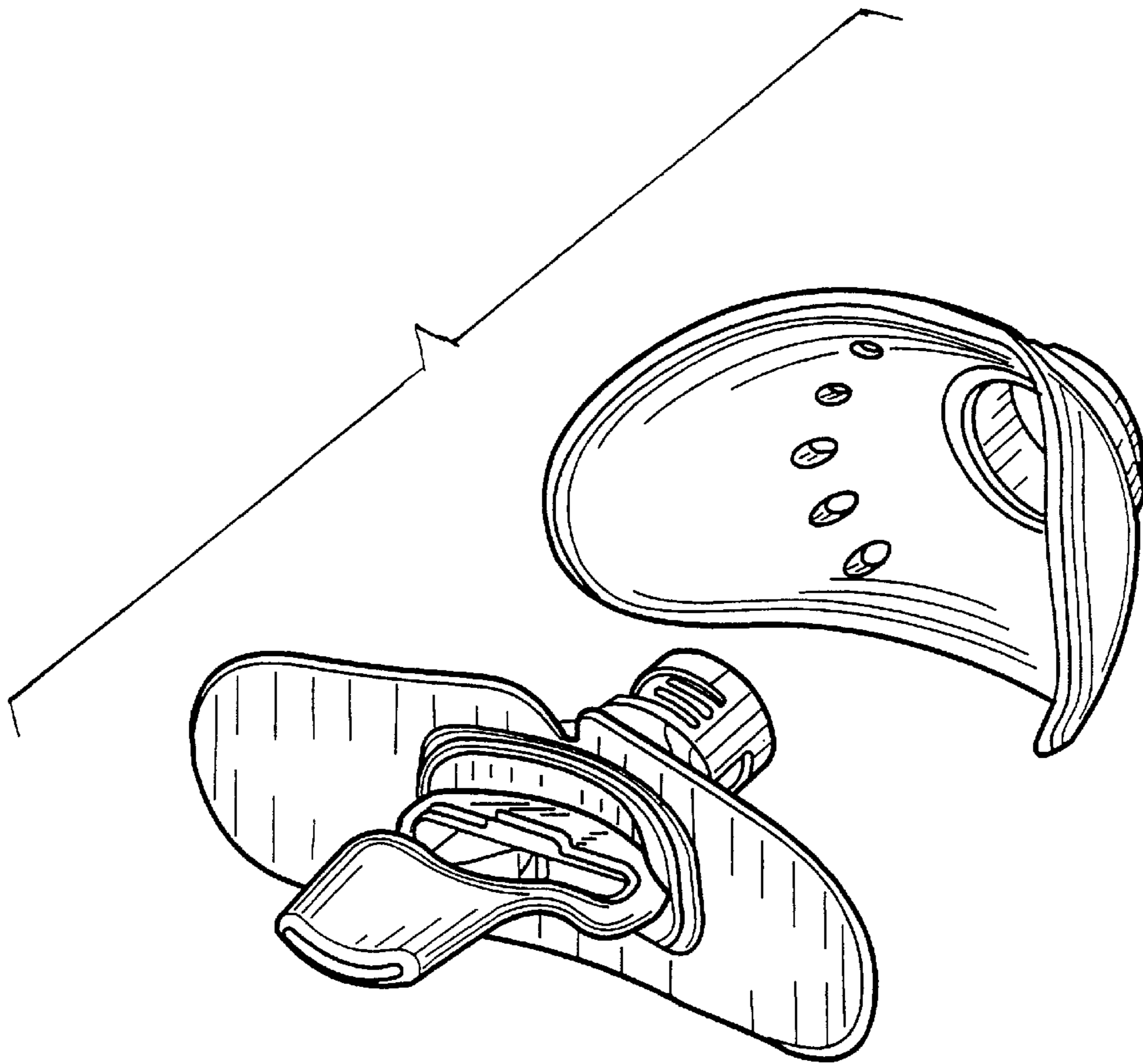


FIGURE 6

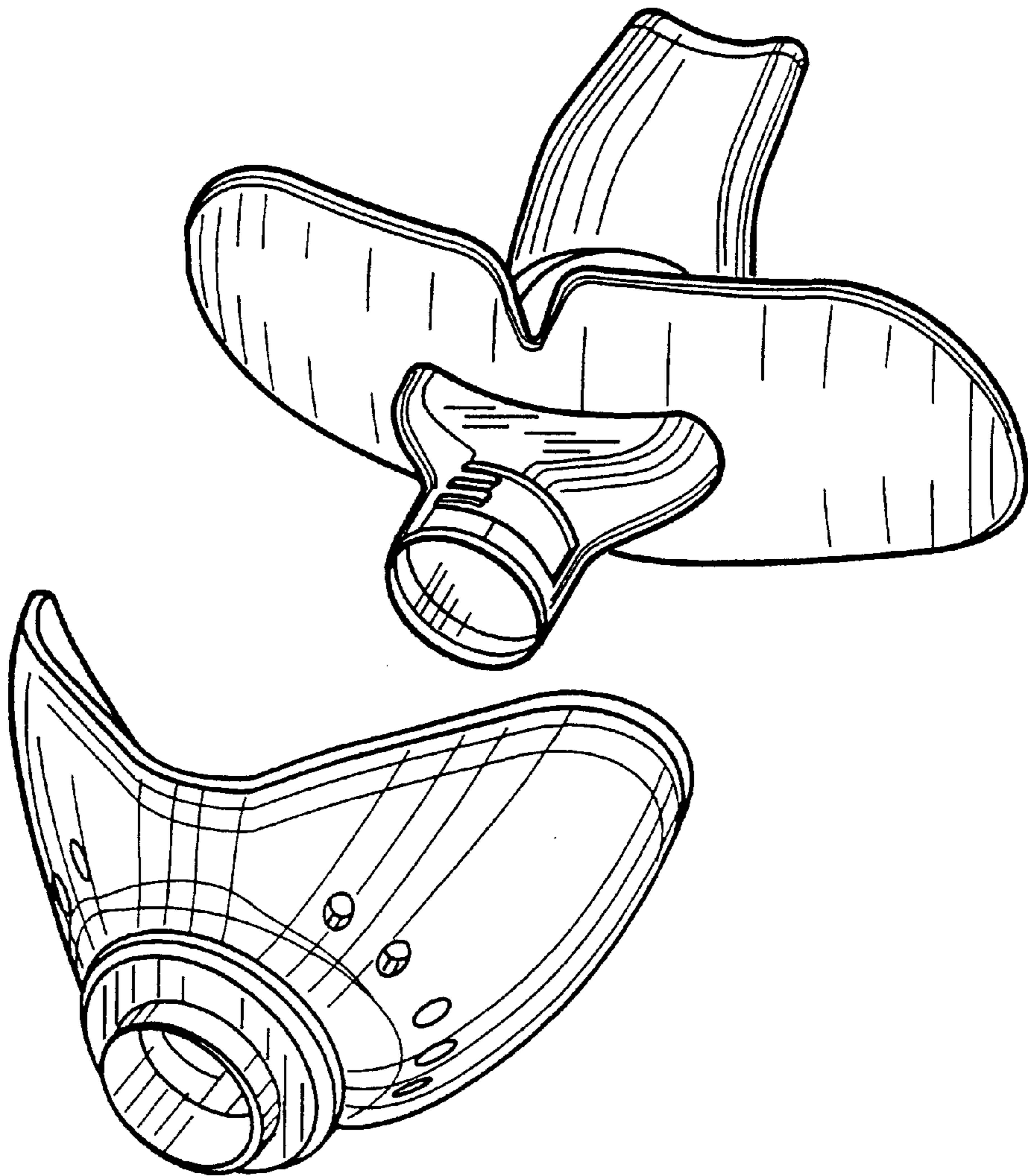


FIGURE 7