



US00D479872S

(12) **United States Design Patent**
Young

(10) **Patent No.:** **US D479,872 S**

(45) **Date of Patent:** **** Sep. 23, 2003**

(54) **COMBINATION CEILING FAN AND LIGHT FIXTURE**

Primary Examiner—Lisa Lichtenstein
(74) *Attorney, Agent, or Firm*—Jenkins & Gilchrist, P.C.

(75) **Inventor:** **Stanfield Young**, Cypress, CA (US)

(57) **CLAIM**

(73) **Assignee:** **Minka Lighting, Inc.**, Corona, CA (US)

The ornamental design for a combination ceiling fan and light fixture, as shown and described.

(**) **Term:** **14 Years**

DESCRIPTION

(21) **Appl. No.:** **29/168,982**

(22) **Filed:** **Oct. 10, 2002**

(51) **LOC (7) Cl.** **23-04**

(52) **U.S. Cl.** **D23/377**

(58) **Field of Search** D23/377, 379,
D23/385, 411, 413; 416/5; 392/364; 362/96;
D26/59, 51, 72, 81–88, 79

FIG. 1 is a perspective view from below of the combination ceiling fan and light fixture in accordance with my design; FIG. 2 is an enlarged partial perspective view from below of the combination ceiling fan and light fixture in accordance with my design;

FIG. 3 is a bottom plan view of the combination ceiling fan and light fixture on a reduced scale in accordance with my design;

FIG. 4 is a front elevation view of the combination ceiling fan and light fixture on a reduced scale in accordance with my design;

FIG. 5 is a top plan view of the combination ceiling fan and light fixture on a reduced scale in accordance with my design; and,

FIG. 6 is a side elevation view of the combination ceiling fan and light fixture on a reduced scale in accordance with my design.

The front and rear elevation views are identical except for the position of the blades.

The side elevation views are identical except for the position of the blades.

The blades have been shown broken away in FIG. 2 for ease of illustration.

(56) **References Cited**

U.S. PATENT DOCUMENTS

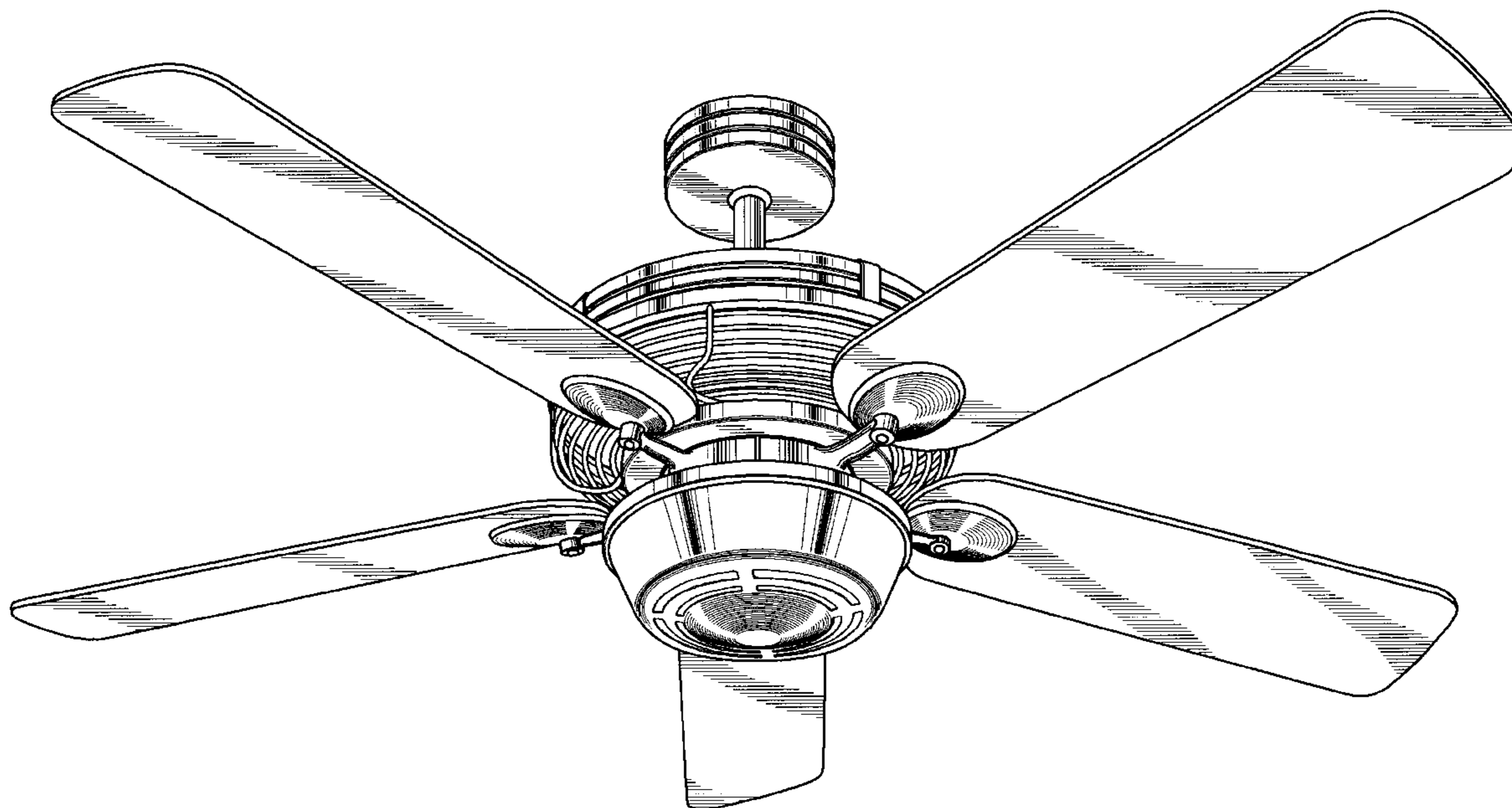
D382,955 S	*	8/1997	Liu	D23/411
D426,879 S		6/2000	Gajewski	D23/411
D435,643 S	*	12/2000	Williams	D23/377
D456,892 S	*	5/2002	Hsieh	D23/411
D458,362 S	*	6/2002	Campbell	D23/411
D461,553 S		8/2002	Gajewski	D23/411

OTHER PUBLICATIONS

Minka Lighting, Inc.; MinkaAire Two Thousand One; Oct. 5, 2000; pp. 10, 11; Minka Lighting, Inc.; U.S.A.
Minka Lighting, Inc.; MinkaAire Two Thousand Two; Apr. 22, 2002; pp. 38, 39; Minka Lighting, Inc.; U.S.A.

* cited by examiner

1 Claim, 4 Drawing Sheets



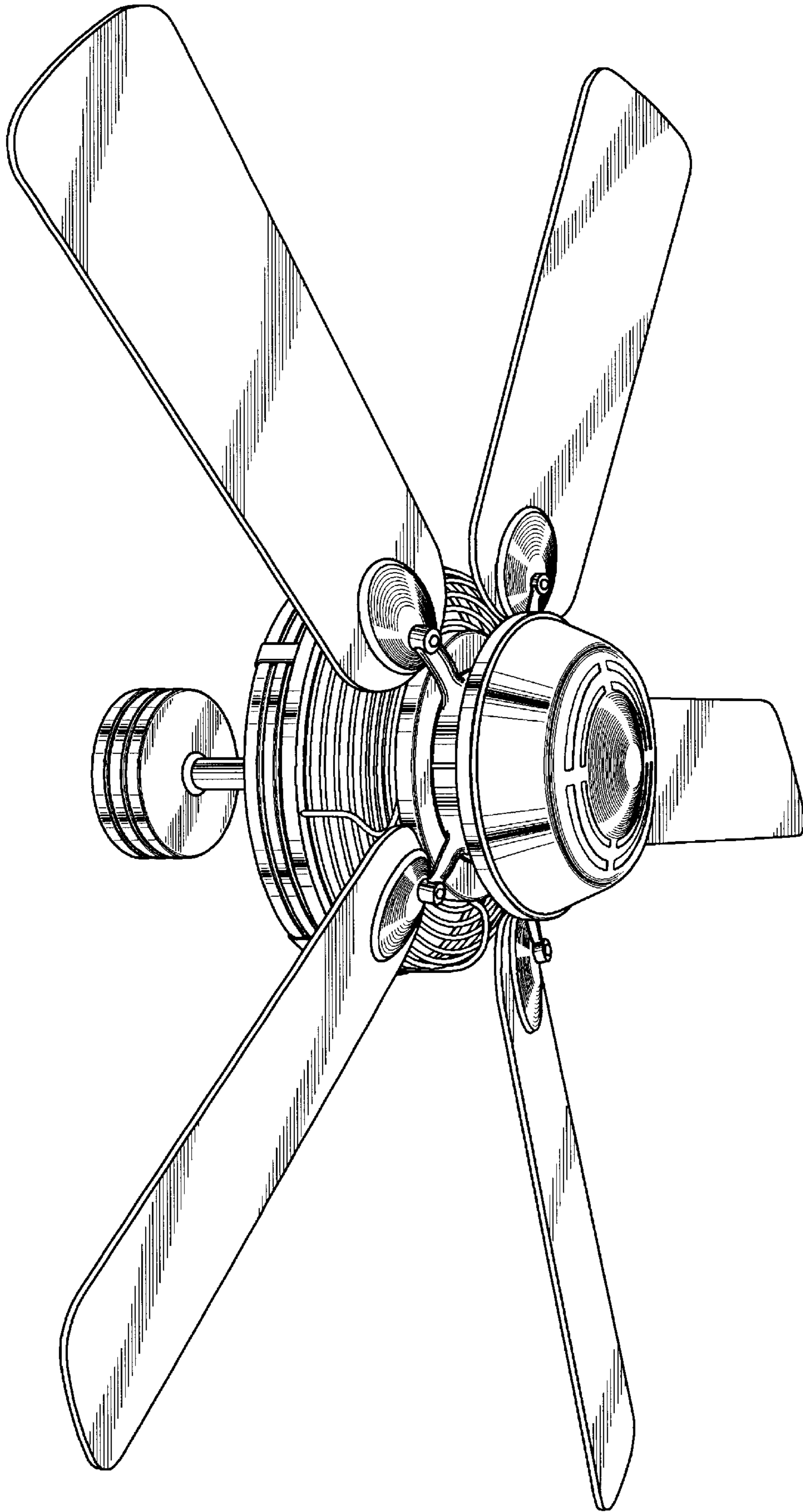


Fig. 1

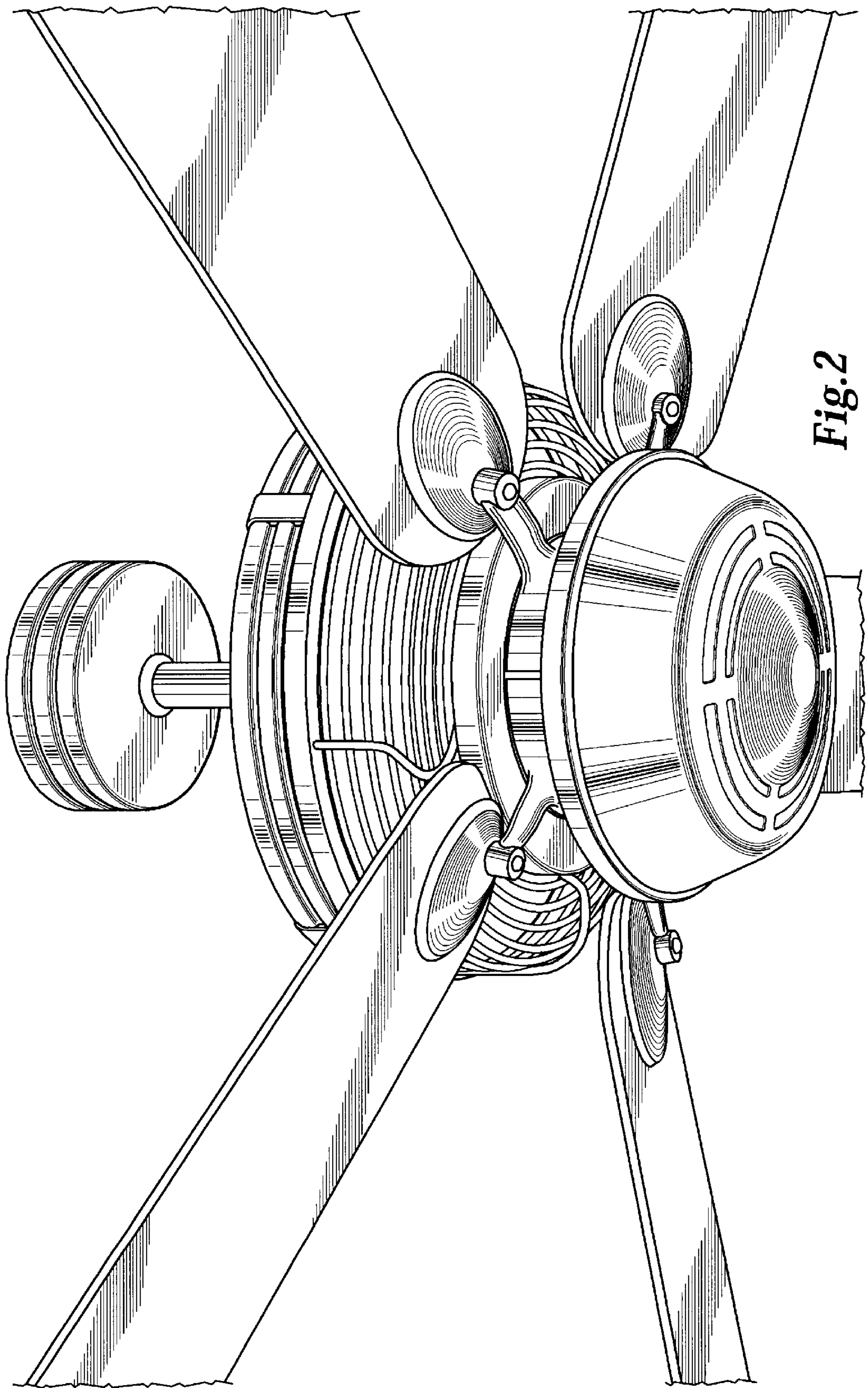


Fig. 2

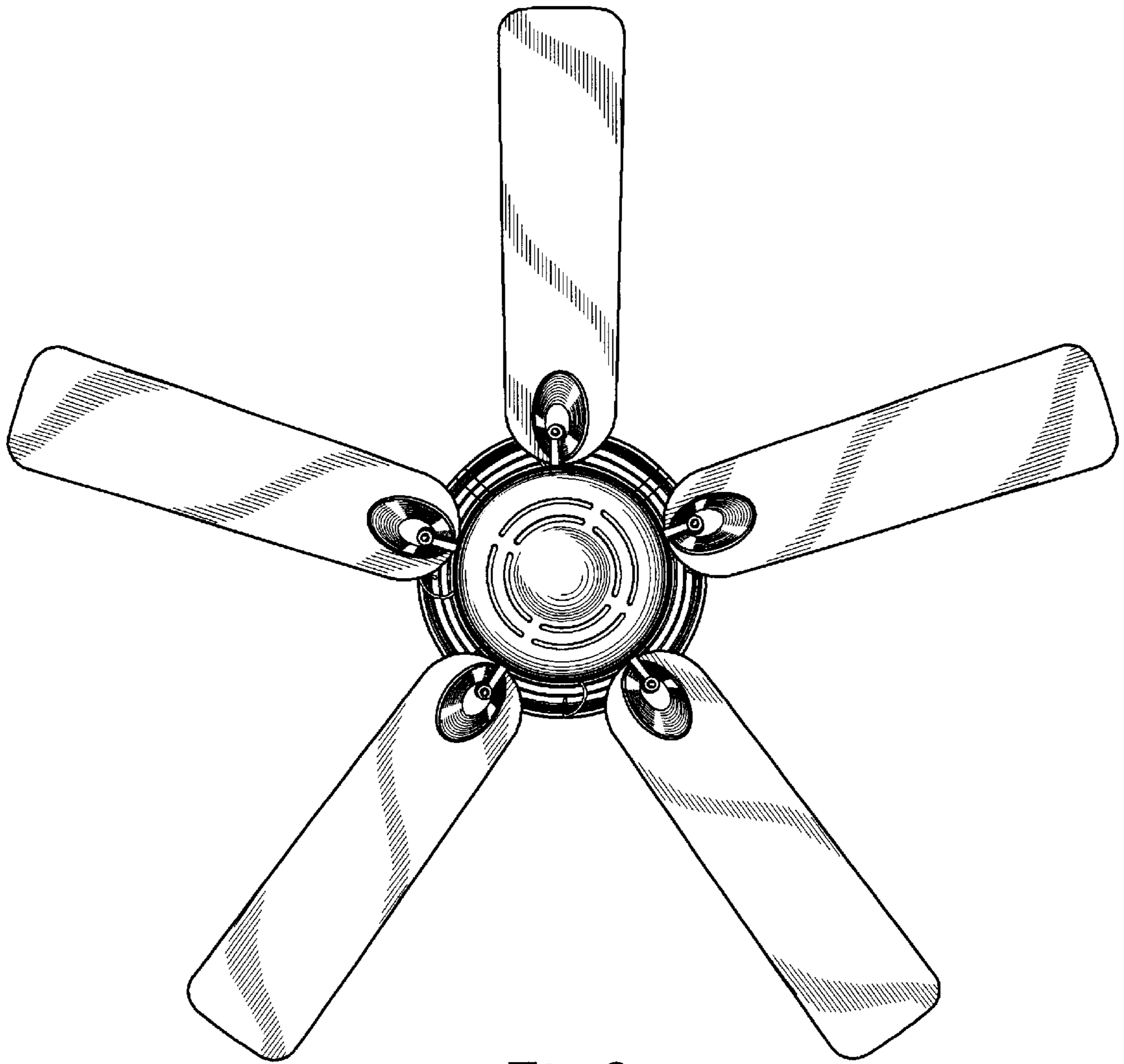


Fig.3

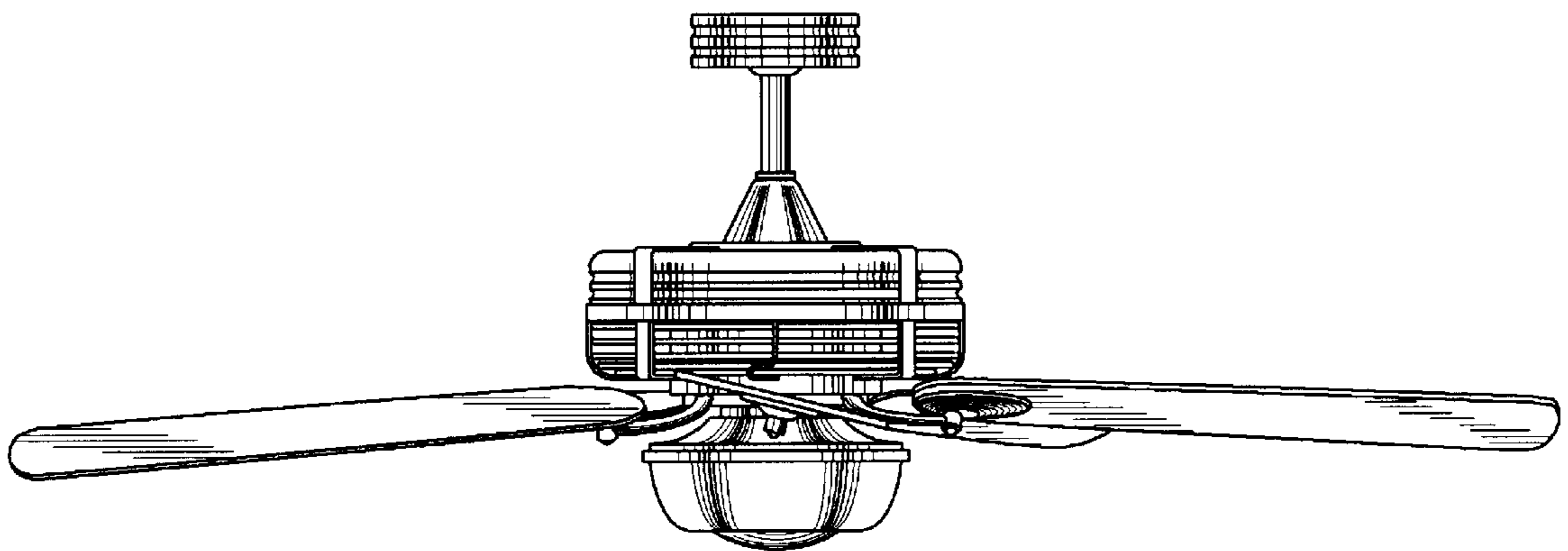


Fig.4

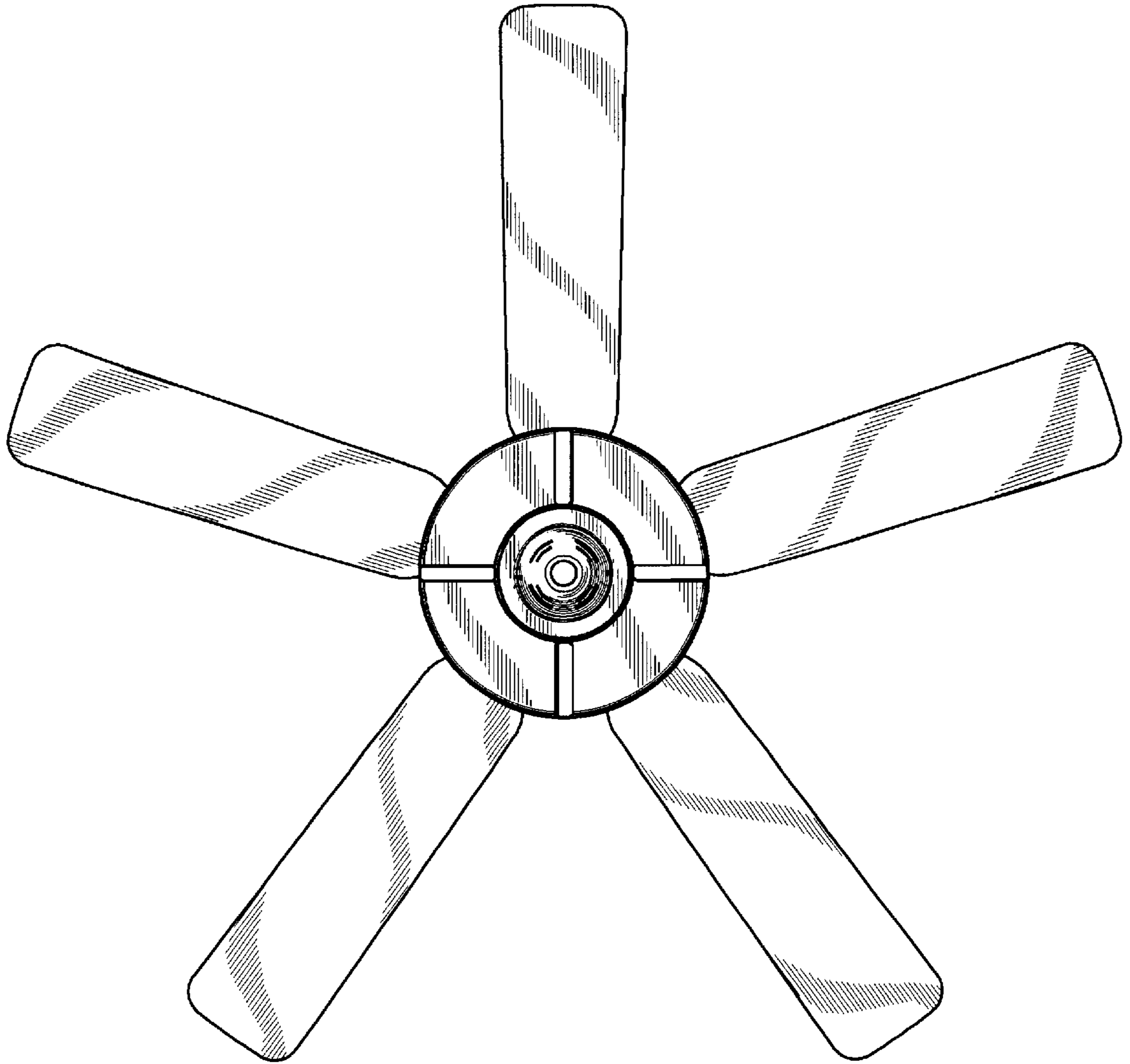


Fig. 5

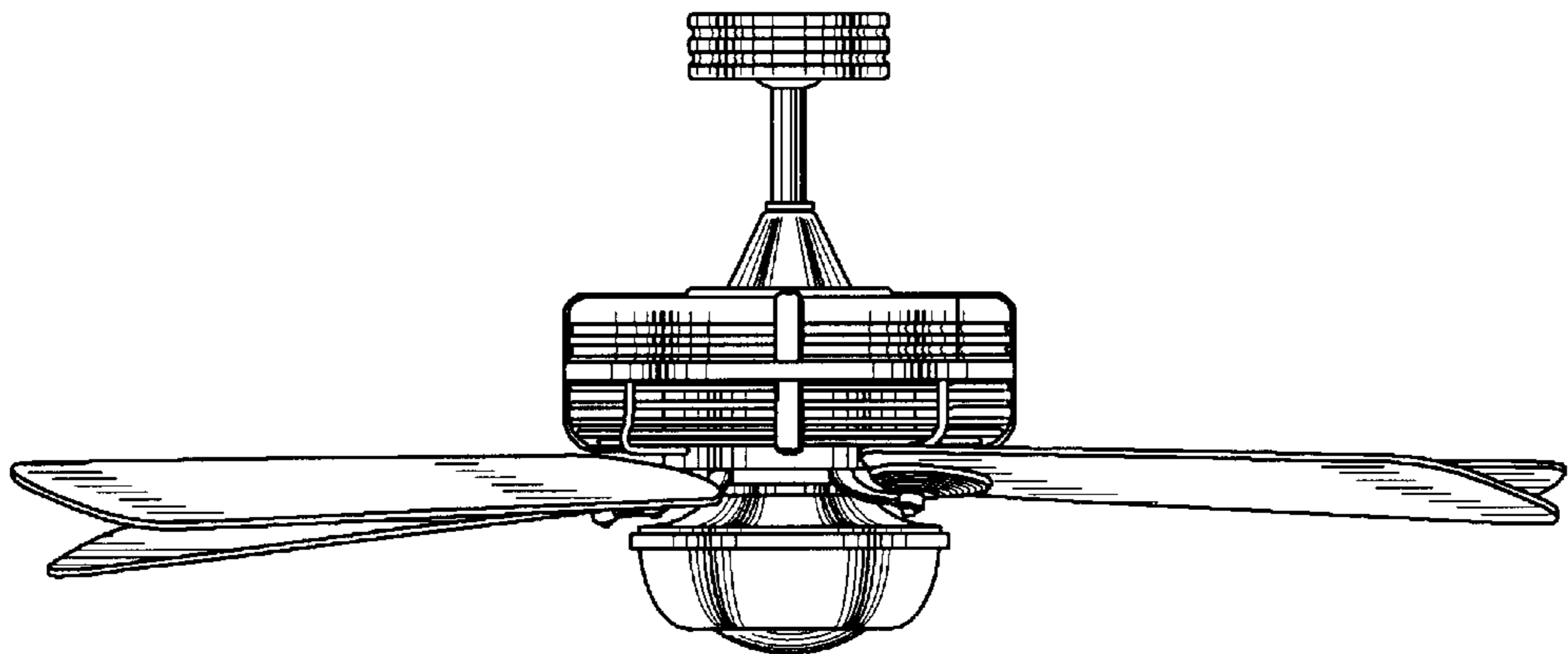


Fig. 6