



US00D479871S

(12) **United States Design Patent**
Warshawsky

(10) **Patent No.:** **US D479,871 S**

(45) **Date of Patent:** **** Sep. 23, 2003**

(54) **LAVATORY SET**

(75) **Inventor:** **Jerome Warshawsky**, Hewlett Harbor,
NY (US)

(73) **Assignee:** **IW Industries, Inc.**, Melville, NY (US)

(**) **Term:** **14 Years**

(21) **Appl. No.:** **29/089,576**

(22) **Filed:** **Jun. 18, 1998**

(51) **LOC (7) Cl.** **23-01**

(52) **U.S. Cl.** **D23/242**

(58) **Field of Search** D23/238-243,
D23/250-257; 137/801; 4/675-678

(56) **References Cited**

U.S. PATENT DOCUMENTS

D362,899 S * 10/1995 Jans D23/242
D366,517 S * 1/1996 Doughty et al. D23/292
D371,826 S * 7/1996 Robbins D23/252

D374,478 S * 10/1996 Doughty et al. D23/242
D378,123 S * 2/1997 Warshawsky D23/242
D378,231 S * 2/1997 Dubin D23/252

* cited by examiner

Primary Examiner—Louis S. Zarfes

Assistant Examiner—Eric Watterson

(74) *Attorney, Agent, or Firm*—Alfred M. Walker

(57) **CLAIM**

The ornamental design for a lavatory set, as shown and described.

DESCRIPTION

FIG. 1 is a perspective view of a lavatory set, showing my new design;

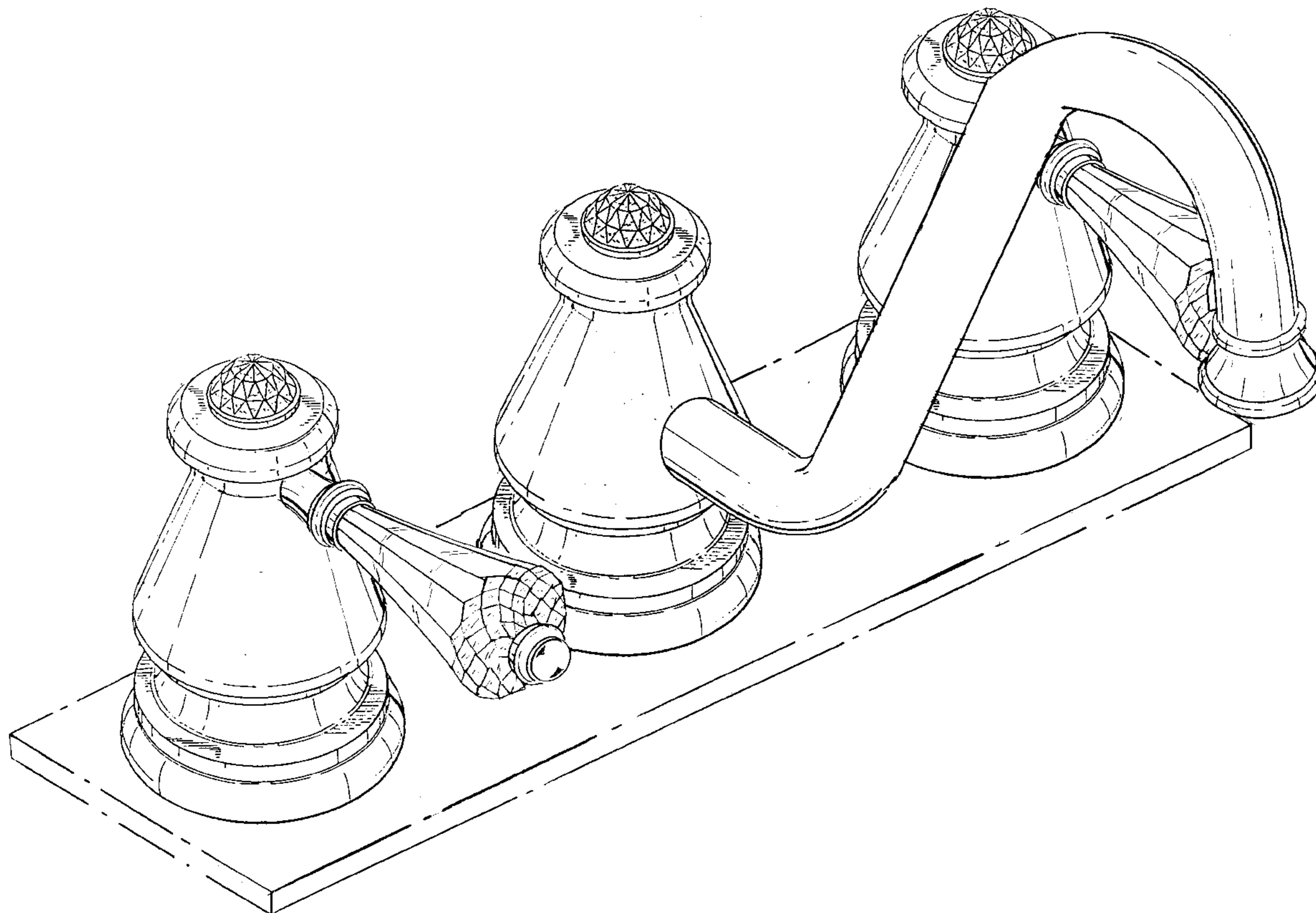
FIG. 2 is a front elevational view thereof;

FIG. 3 is a rear elevational view thereof;

FIG. 4 is a right side elevational view thereof, the left side being a mirror image thereof; and,

FIG. 5 is a top plan view thereof.

1 Claim, 5 Drawing Sheets



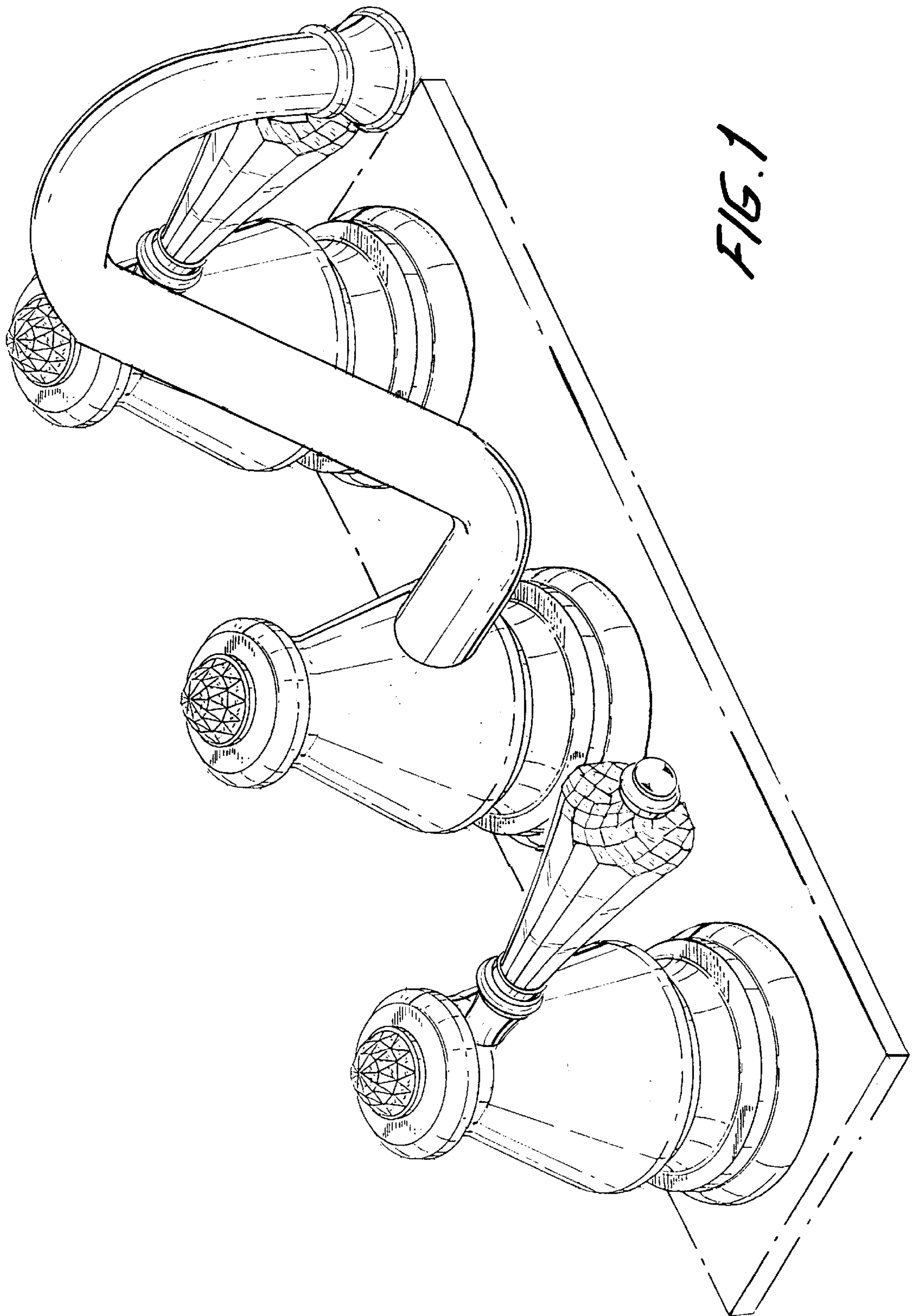


FIG. 1

F16.2

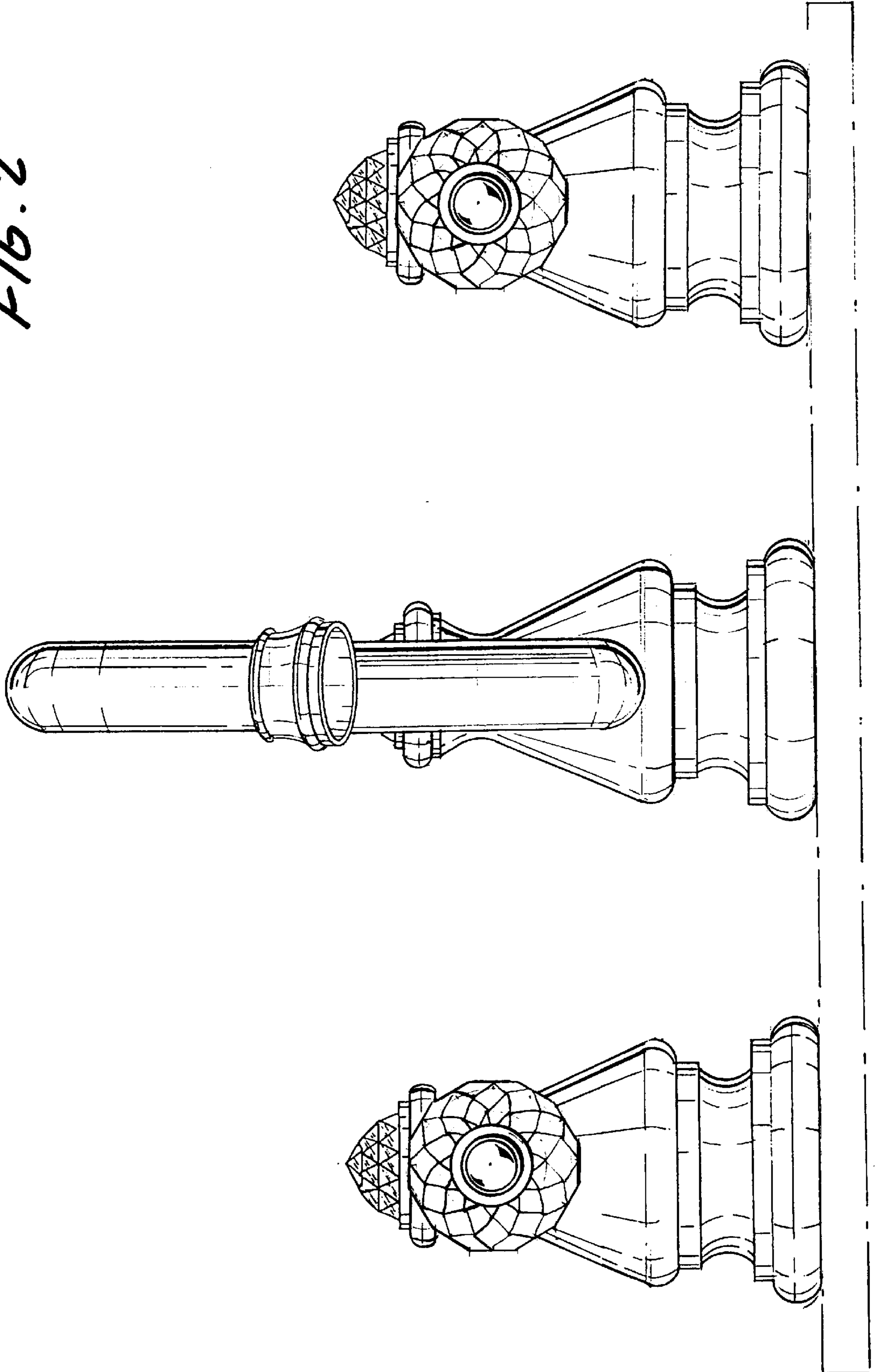
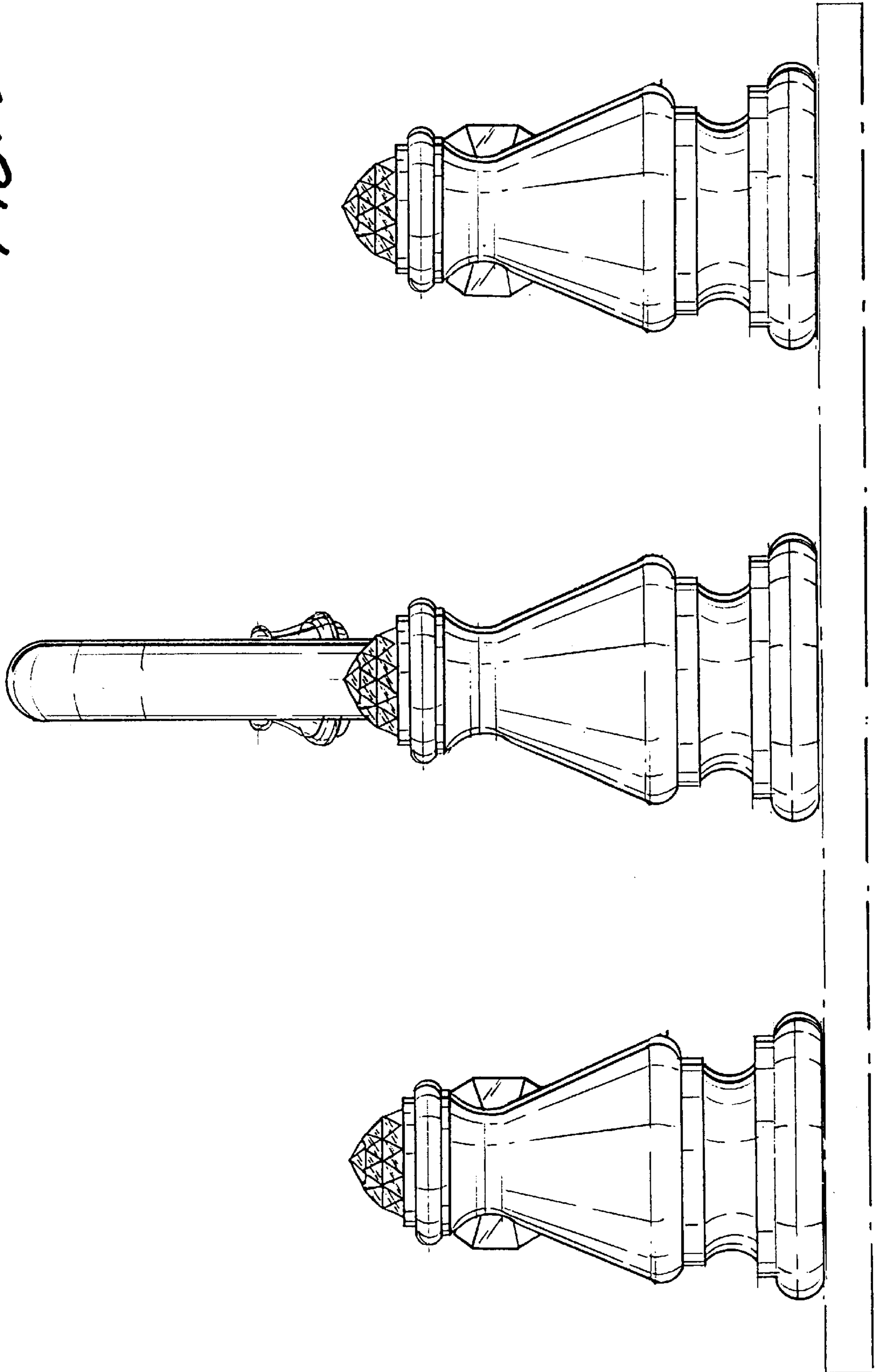


FIG. 3



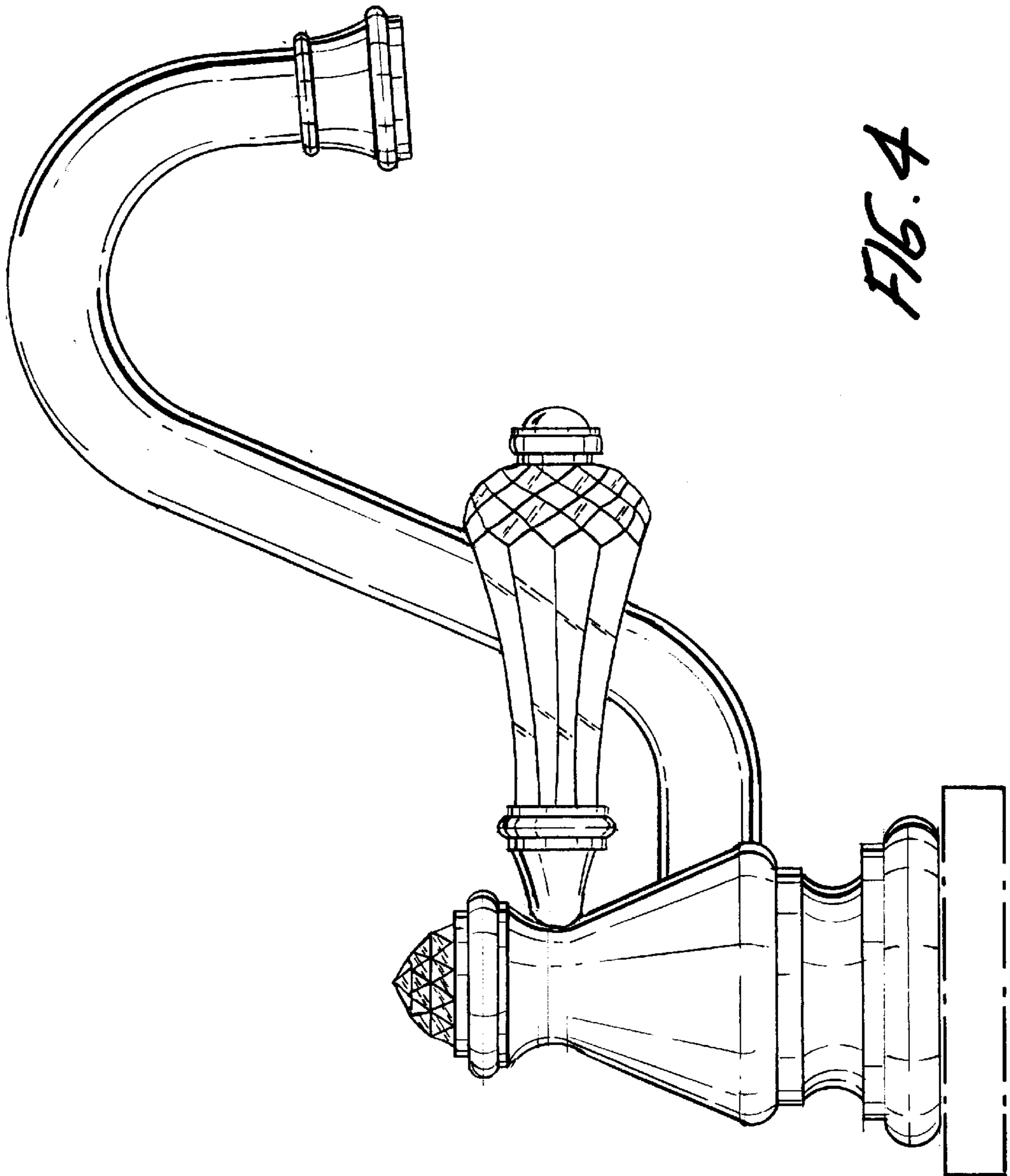


FIG. 4

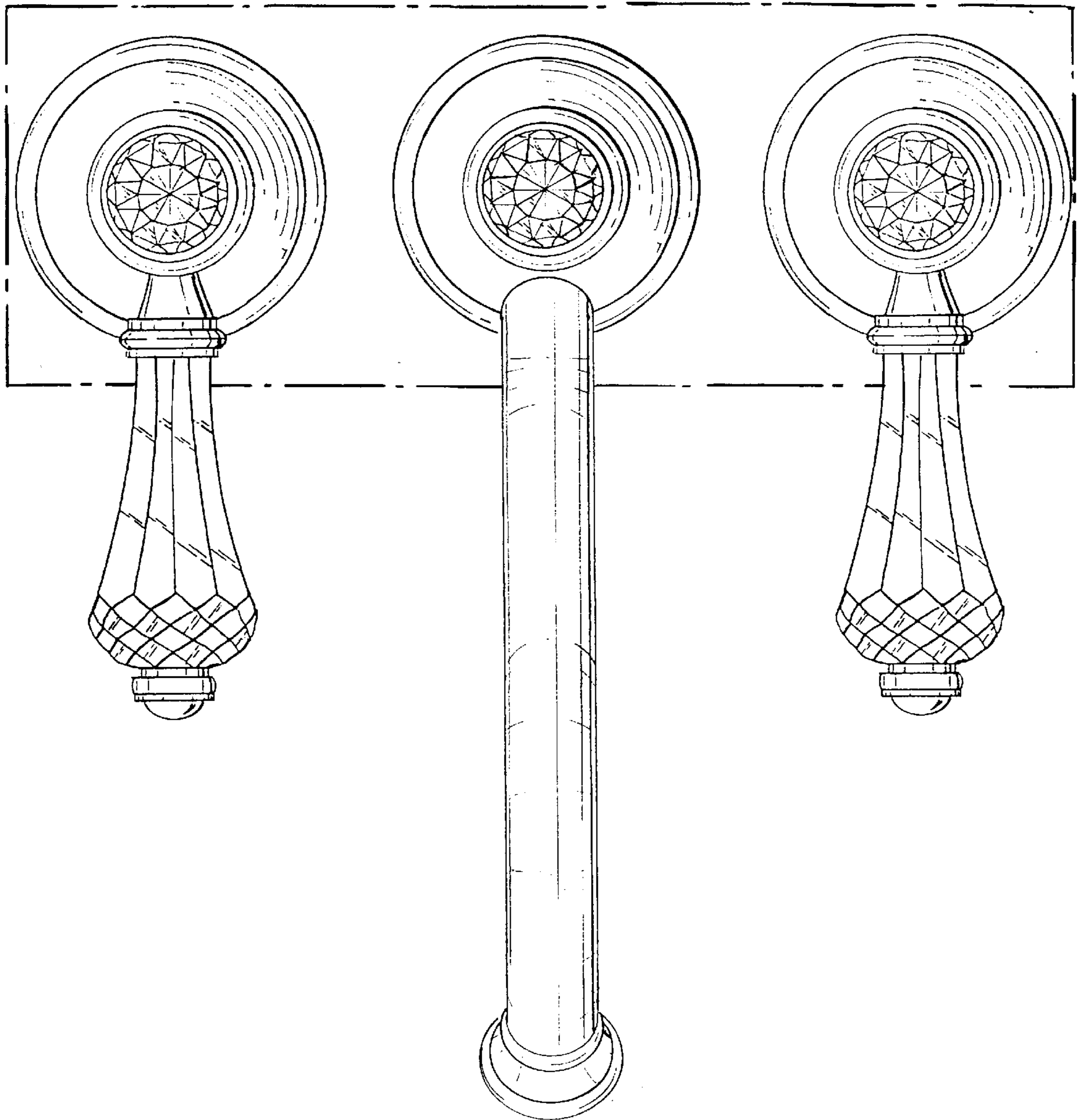


FIG. 5