



US00D479870S

(12) **United States Design Patent**  
**Hung**

(10) **Patent No.:** **US D479,870 S**

(45) **Date of Patent:** **\*\* Sep. 23, 2003**

(54) **FAUCET FOR FOUNTAIN MACHINE**

D463,848 S \* 10/2002 Haug et al. .... D23/241

(75) Inventor: **Jerry Hung**, Changhua (TW)

\* cited by examiner

(73) Assignee: **Chion Choin Industrial Co., Ltd.**,  
Changhua (TW)

*Primary Examiner*—Louis S. Zarfes

*Assistant Examiner*—Gregory Andoll

(74) *Attorney, Agent, or Firm*—Troxell Law Office PLLC

(\*\*) Term: **14 Years**

(57) **CLAIM**

(21) Appl. No.: **29/169,194**

The ornamental design for the faucet for fountain machine,  
as shown and described.

(22) Filed: **Oct. 17, 2002**

(51) **LOC (7) Cl.** ..... **23-01**

(52) **U.S. Cl.** ..... **D23/241**

(58) **Field of Search** ..... D23/238–243,  
D23/250–257; 4/675–678; 137/801

**DESCRIPTION**

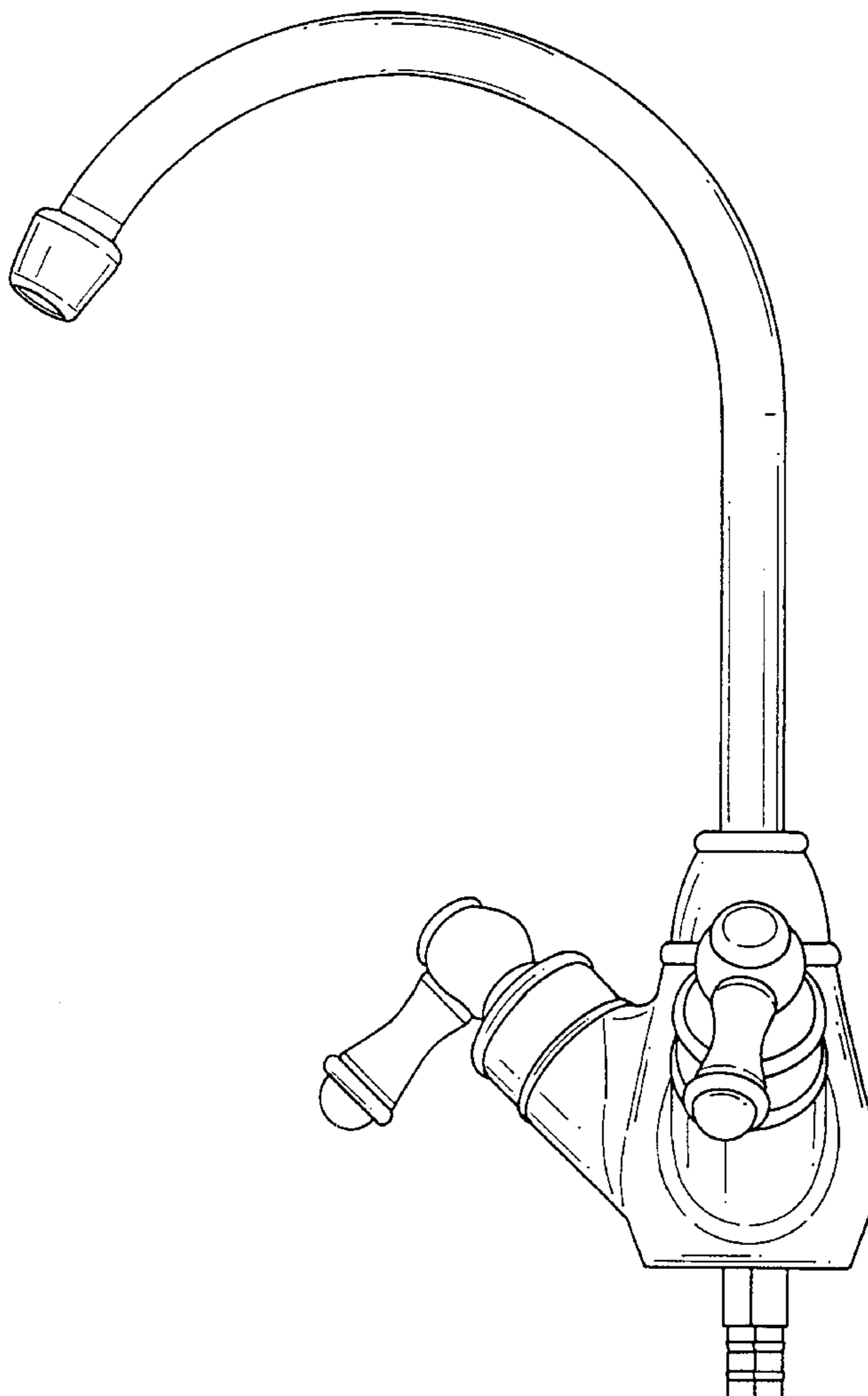
FIG. 1 is a perspective view of a faucet for fountain machine showing my new design;  
FIG. 2 is a front view thereof;  
FIG. 3 is a rear view thereof;  
FIG. 4 is a right side view thereof,  
FIG. 5 is a left side view thereof;  
FIG. 6 is a top view thereof; and,  
FIG. 7 is a bottom view thereof.

(56) **References Cited**

**U.S. PATENT DOCUMENTS**

- D351,218 S \* 10/1994 Sieger ..... D23/241
- D412,025 S \* 7/1999 Mark et al. .... D23/238
- D463,529 S \* 9/2002 Dretzka ..... D23/238

**1 Claim, 6 Drawing Sheets**



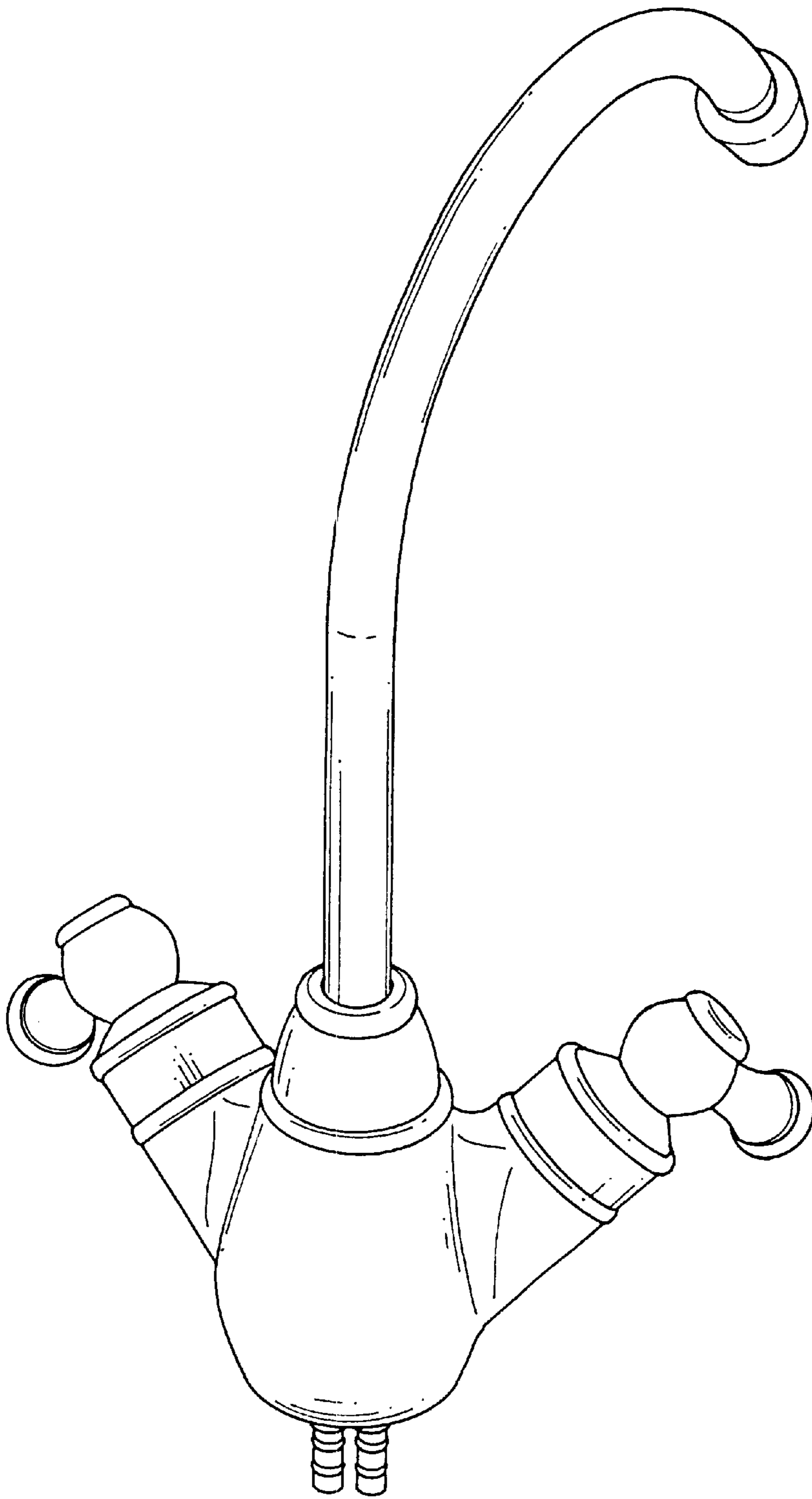


FIG. 1

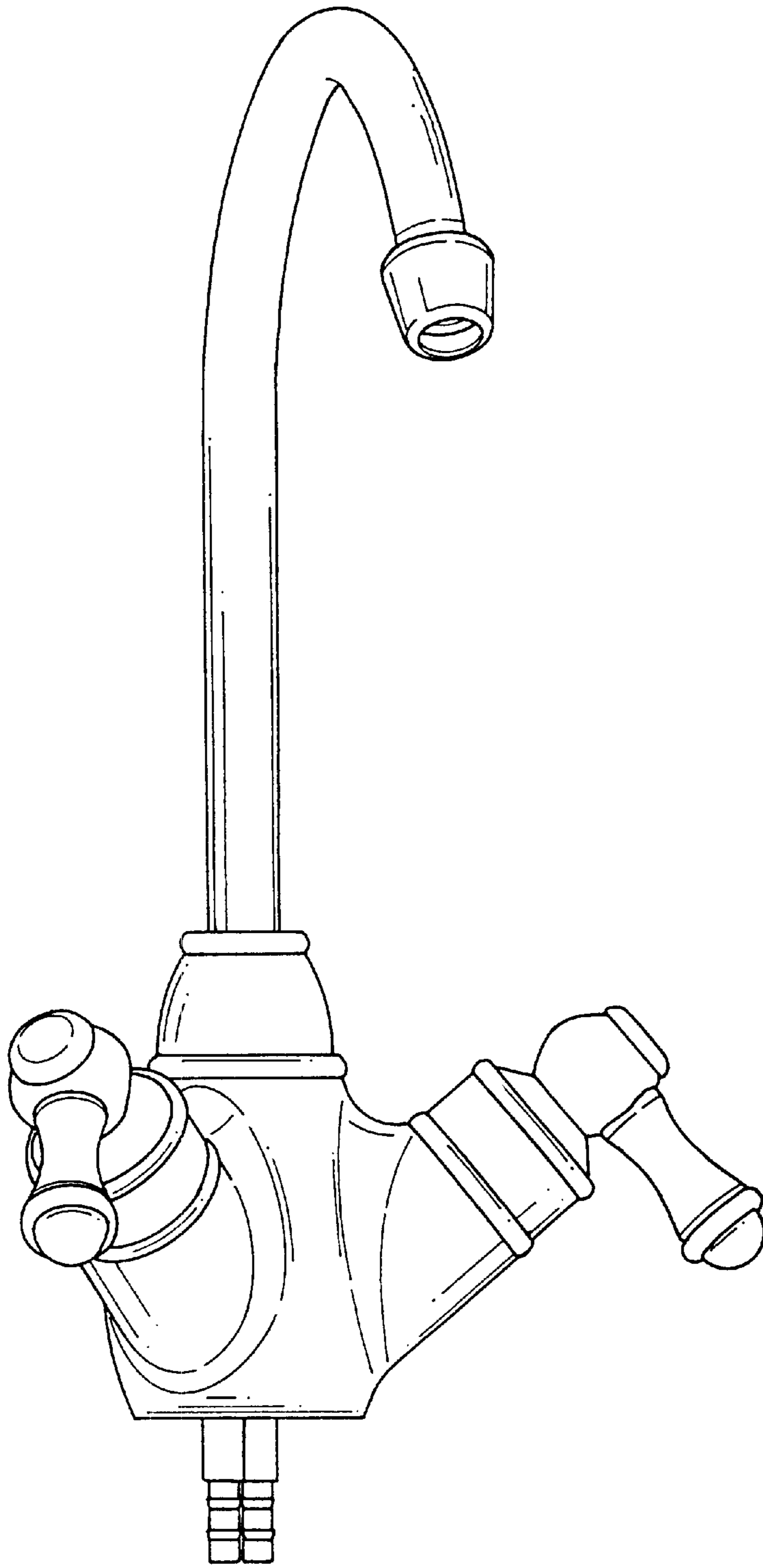


FIG. 2

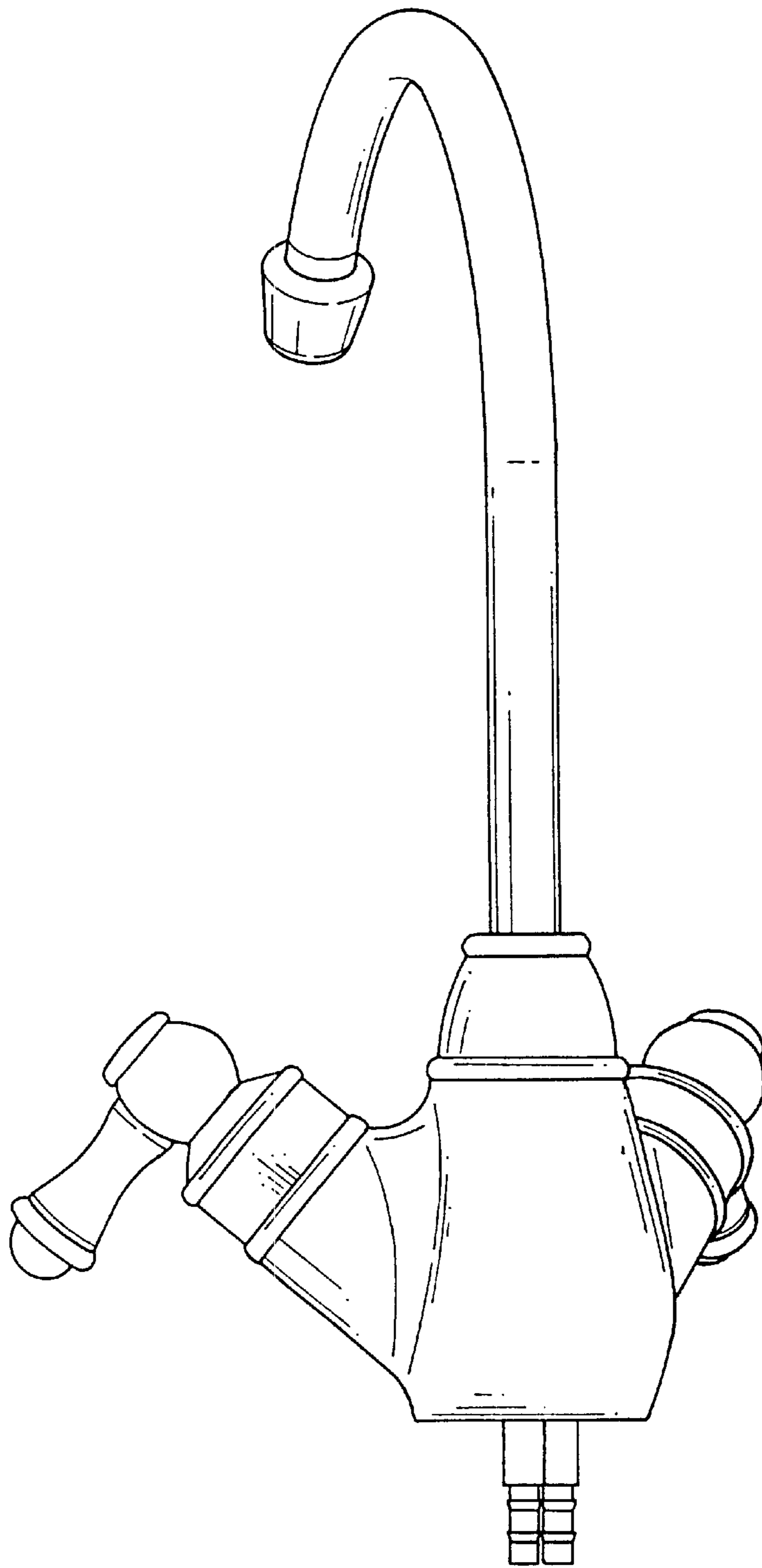


FIG. 3

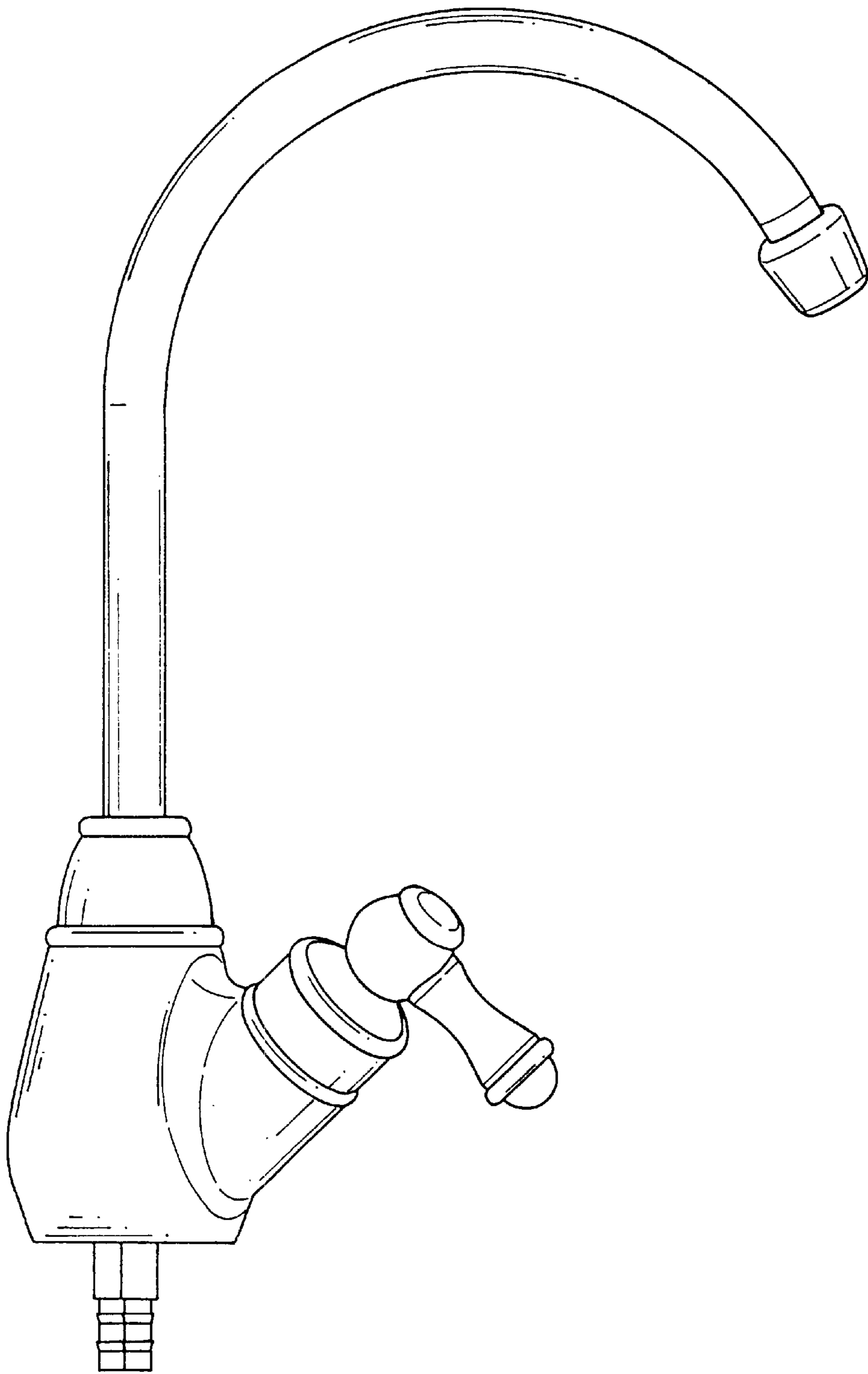


FIG. 4

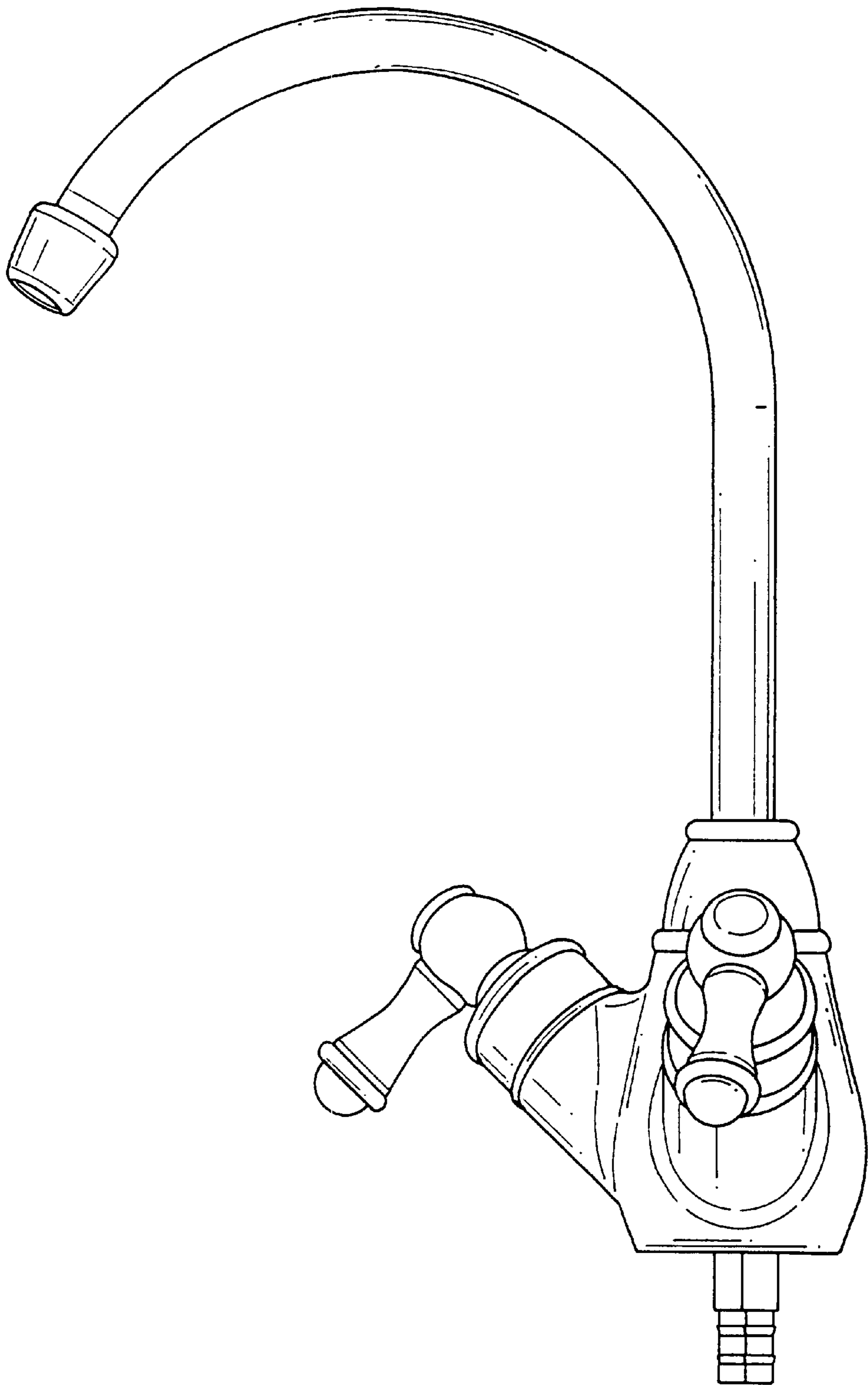


FIG. 5

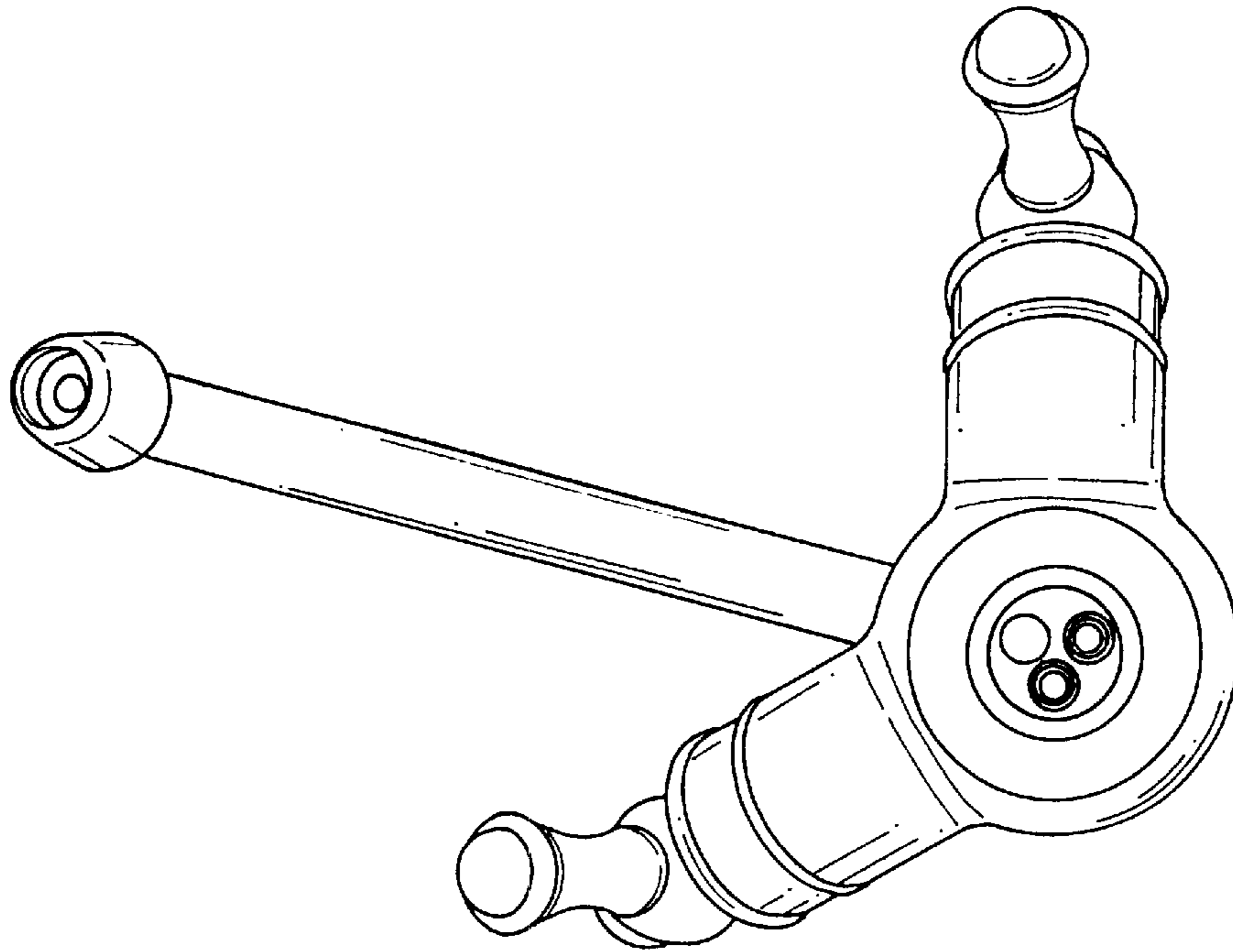


FIG. 7

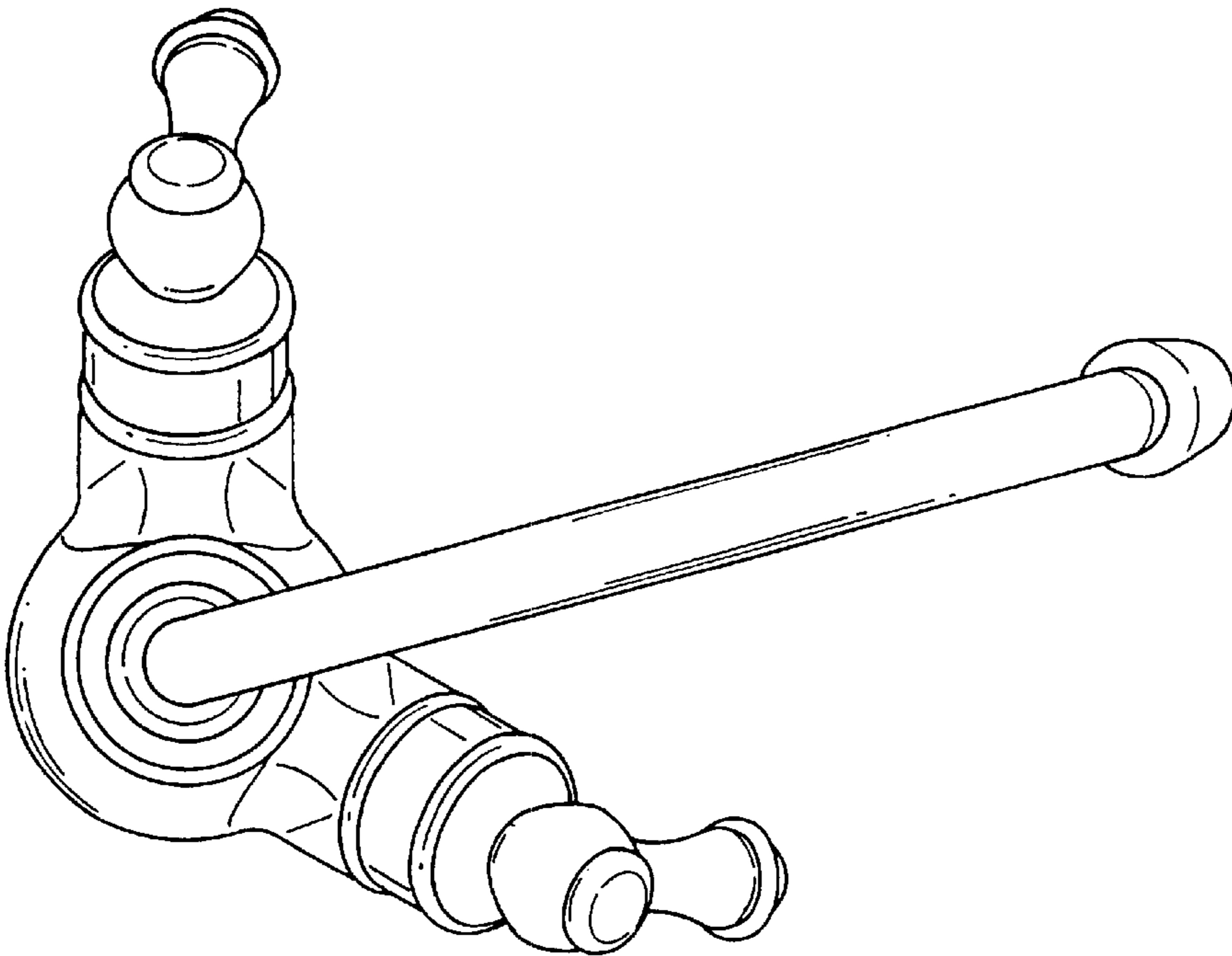


FIG. 6