



US00D479869S

(12) **United States Design Patent**  
**Carattini**

(10) **Patent No.:** **US D479,869 S**

(45) **Date of Patent:** **\*\* Sep. 23, 2003**

(54) **POOL TABLE AND AQUARIUM COMBINATION**

D338,939 S \* 8/1993 Gellerman ..... D21/784  
5,830,072 A \* 11/1998 D'Aguiar ..... 473/29

(76) Inventor: **Abraham Carattini**, 1035 S.  
Hollenbeck, West Covina, CA (US)  
91791

(\*\*) Term: **14 Years**

(21) Appl. No.: **29/166,786**

(22) Filed: **Sep. 3, 2002**

(51) **LOC (7) Cl.** ..... **06-03**

(52) **U.S. Cl.** ..... **D21/783**

(58) **Field of Search** ..... D21/782-784;  
D6/422, 423, 428, 480, 482, 495-496;  
473/1, 4, 6, 10, 29, 34; D30/101; 119/245,  
246, 247, 253

(56) **References Cited**

**U.S. PATENT DOCUMENTS**

95,765 A \* 10/1869 Brunswick ..... 473/10  
D34,493 S \* 5/1901 Bartel ..... D21/784  
D66,386 S \* 1/1925 Trost ..... D21/783  
1,656,416 A \* 1/1928 Brinkman ..... 473/4  
D87,535 S \* 8/1932 Matterson ..... D21/784  
D197,722 S \* 3/1964 Crawford ..... D6/482

**OTHER PUBLICATIONS**

The Brunswick-Blake Collaender Co. 1894 Cat. p. 22.\*  
Olhausen Pool Tables, 1999 Cat. p. 3.\*  
Dufferin Game Room Store, 2001.\*

\* cited by examiner

*Primary Examiner*—Prabhakar Deshmukh

(74) *Attorney, Agent, or Firm*—Boniard I. Brown

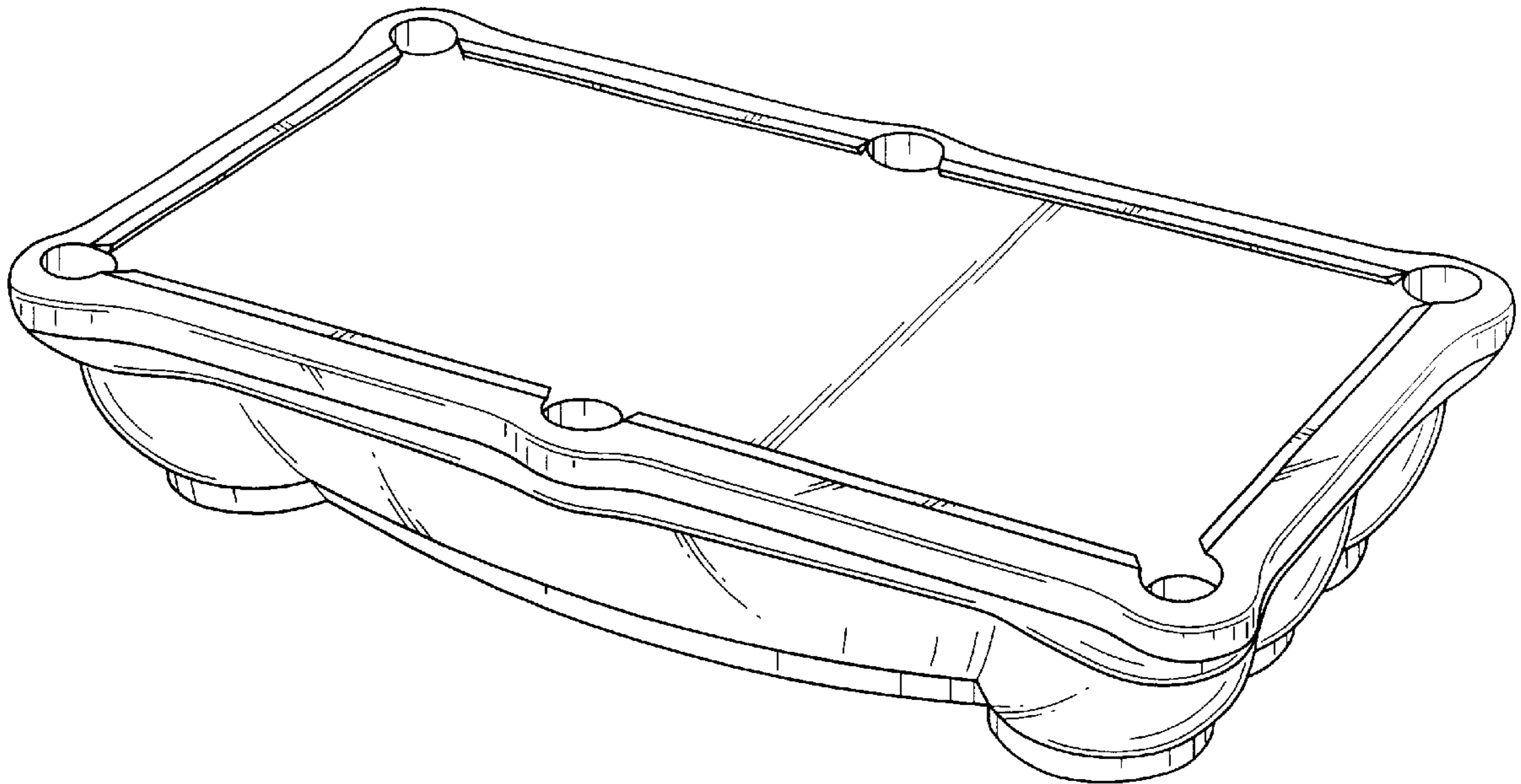
(57) **CLAIM**

The ornamental design for a pool table and aquarium combination, as shown and described.

**DESCRIPTION**

FIG. 1 is a perspective view of a pool table and aquarium combination showing my new design;  
FIG. 2 is a side elevational view thereof, the opposite side being a mirror image;  
FIG. 3 is an end view thereof, the opposite end being a mirror image; and,  
FIG. 4 is a top plan view thereof.  
The bottom view is specifically disclaimed.

**1 Claim, 2 Drawing Sheets**



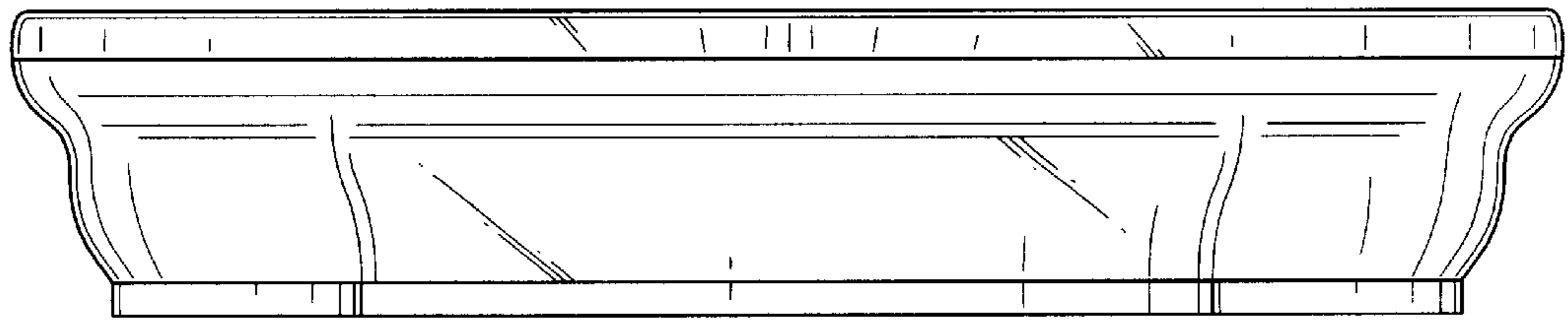
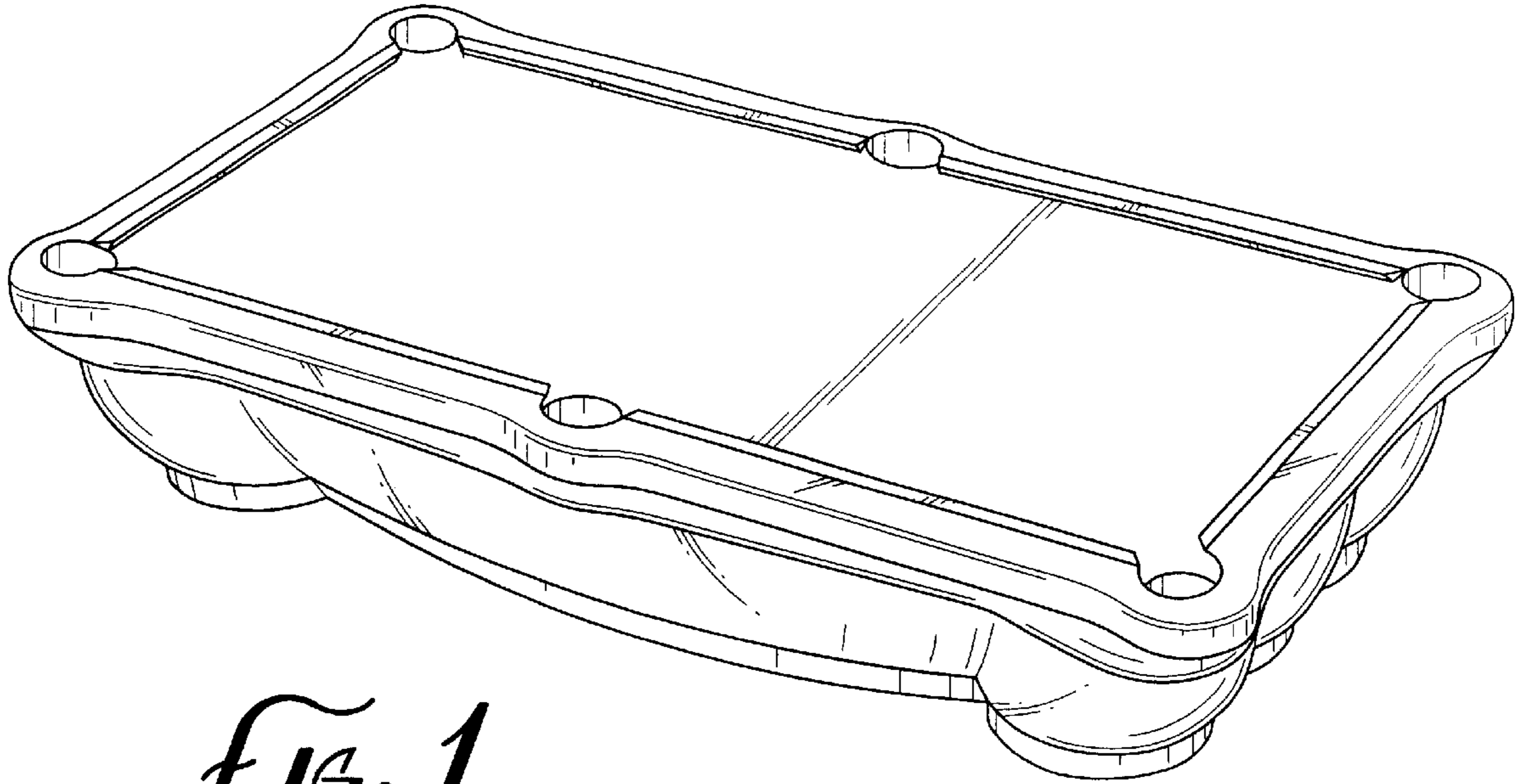
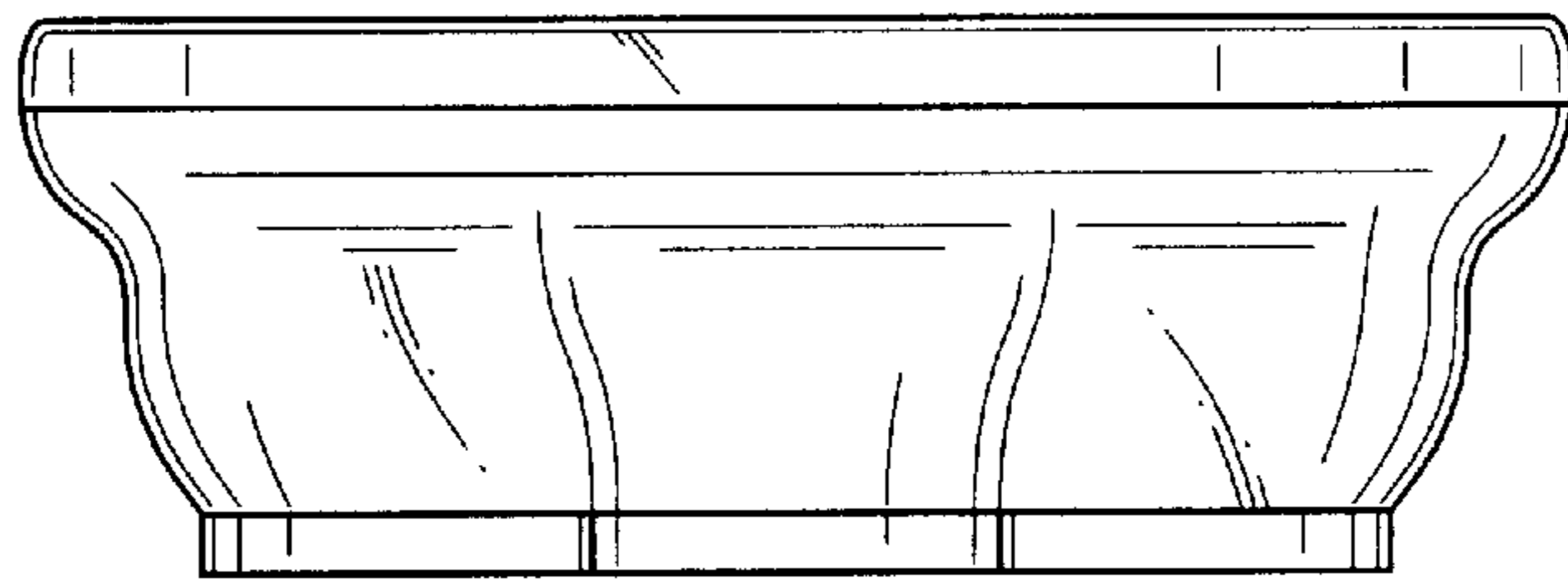
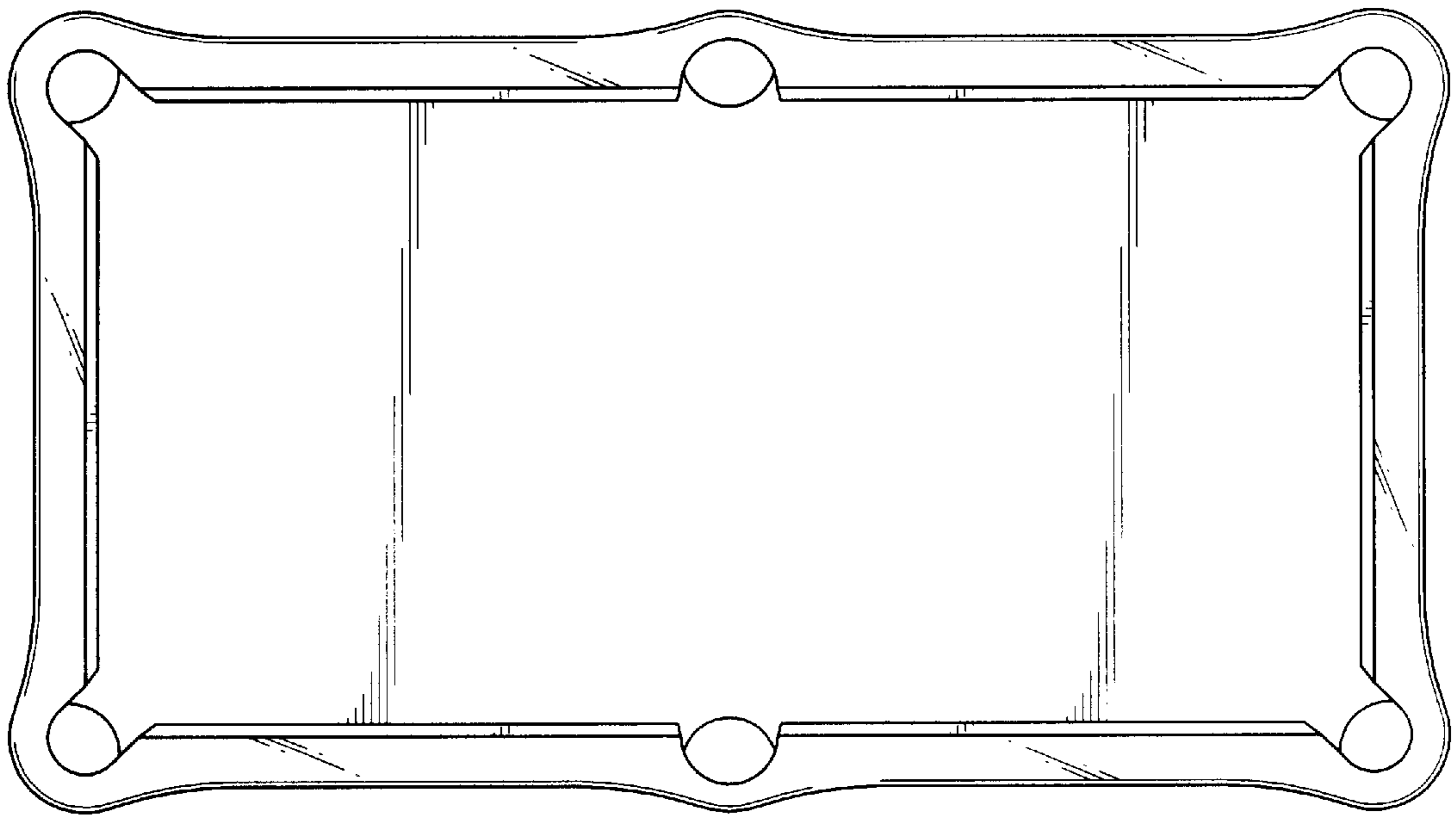


FIG. 2



*FIG. 3*



*FIG. 4*