



US00D479865S

(12) **United States Design Patent**  
**Arai et al.**

(10) **Patent No.:** **US D479,865 S**

(45) **Date of Patent:** **\*\* Sep. 23, 2003**

(54) **EXERCISE STATIONARY BIKE**

(75) Inventors: **Kazuhiko Arai**, Saitama-Ken (JP);  
**Takeshi Inoue**, Saitama-Ken (JP);  
**Harukaze Koga**, Tokyo (JP)

(73) Assignee: **Combi Corporation**, Tokyo (JP)

(\*\*) Term: **14 Years**

(21) Appl. No.: **29/172,270**

(22) Filed: **Dec. 10, 2002**

(30) **Foreign Application Priority Data**

Jun. 13, 2002 (JP) ..... 2002-015942

(51) **LOC (7) Cl.** ..... **21-02**

(52) **U.S. Cl.** ..... **D21/666**

(58) **Field of Search** ..... D21/662, 663,  
D21/664, 665, 666, 667, 668, 670; 481/51,  
52, 54, 55, 57, 58, 59

(56) **References Cited**

**U.S. PATENT DOCUMENTS**

D300,047 S \* 2/1989 Sheltra ..... D21/666  
D320,826 S \* 10/1991 Hildebrandt et al. .... D21/666  
D324,090 S \* 2/1992 Miller ..... D21/666  
D340,758 S \* 10/1993 Ueda ..... D21/666  
D342,299 S \* 12/1993 Birrell et al. .... D21/666

D347,039 S \* 5/1994 Littrell et al. .... D21/666  
D353,422 S \* 12/1994 Bostic et al. .... D21/665  
D355,942 S \* 2/1995 Wu ..... D21/666  
D372,060 S \* 7/1996 Wang et al. .... D21/666  
D403,032 S \* 12/1998 Huang ..... D21/666  
D437,369 S \* 2/2001 Tsushi ..... D21/666  
D439,289 S \* 3/2001 Moran et al. .... D21/666

\* cited by examiner

*Primary Examiner*—Philip S. Hyder

(74) *Attorney, Agent, or Firm*—Whitham, Curtis & Christofferson, P.C.

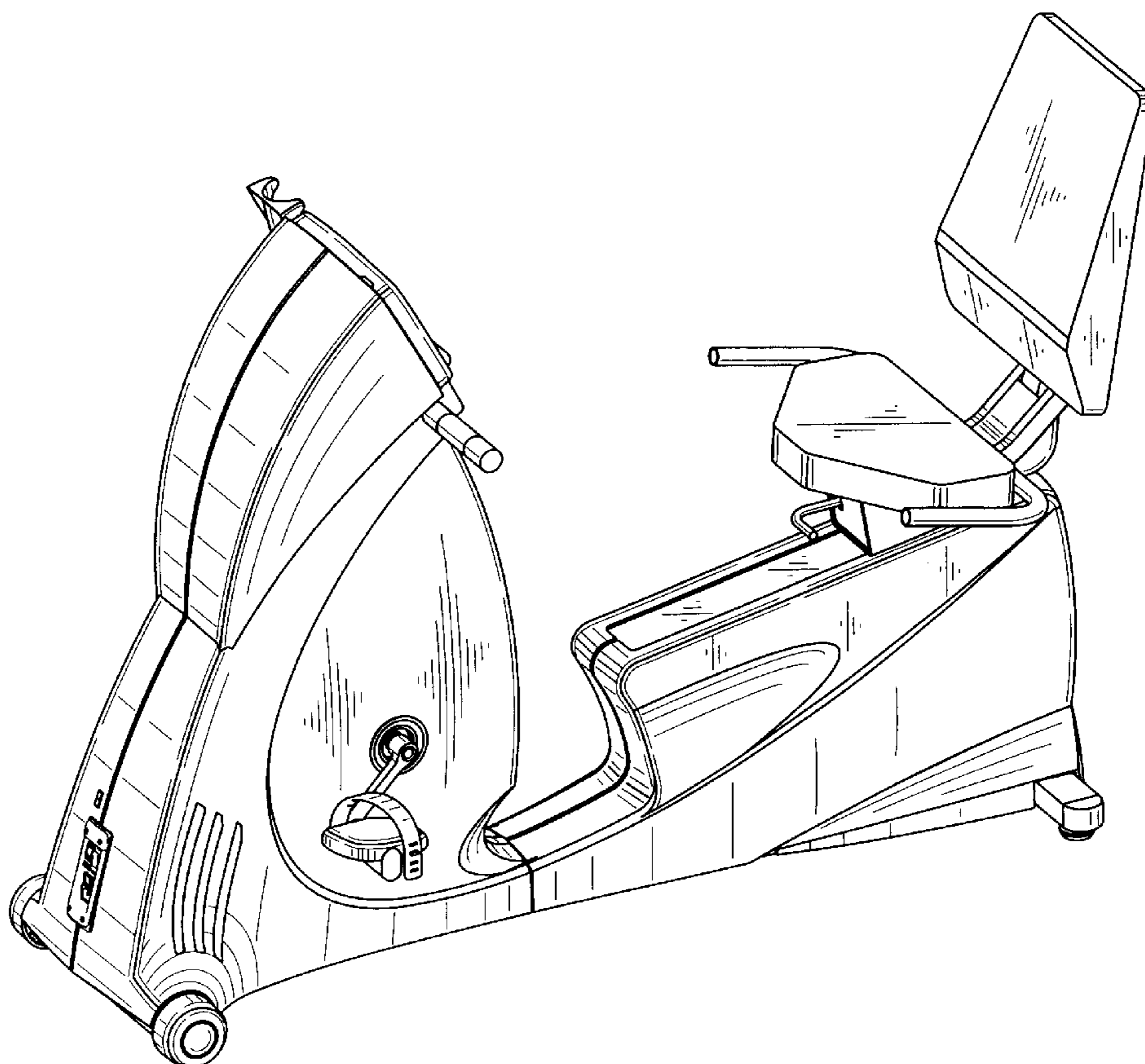
(57) **CLAIM**

The ornamental design for an exercise stationary bike, as shown and described.

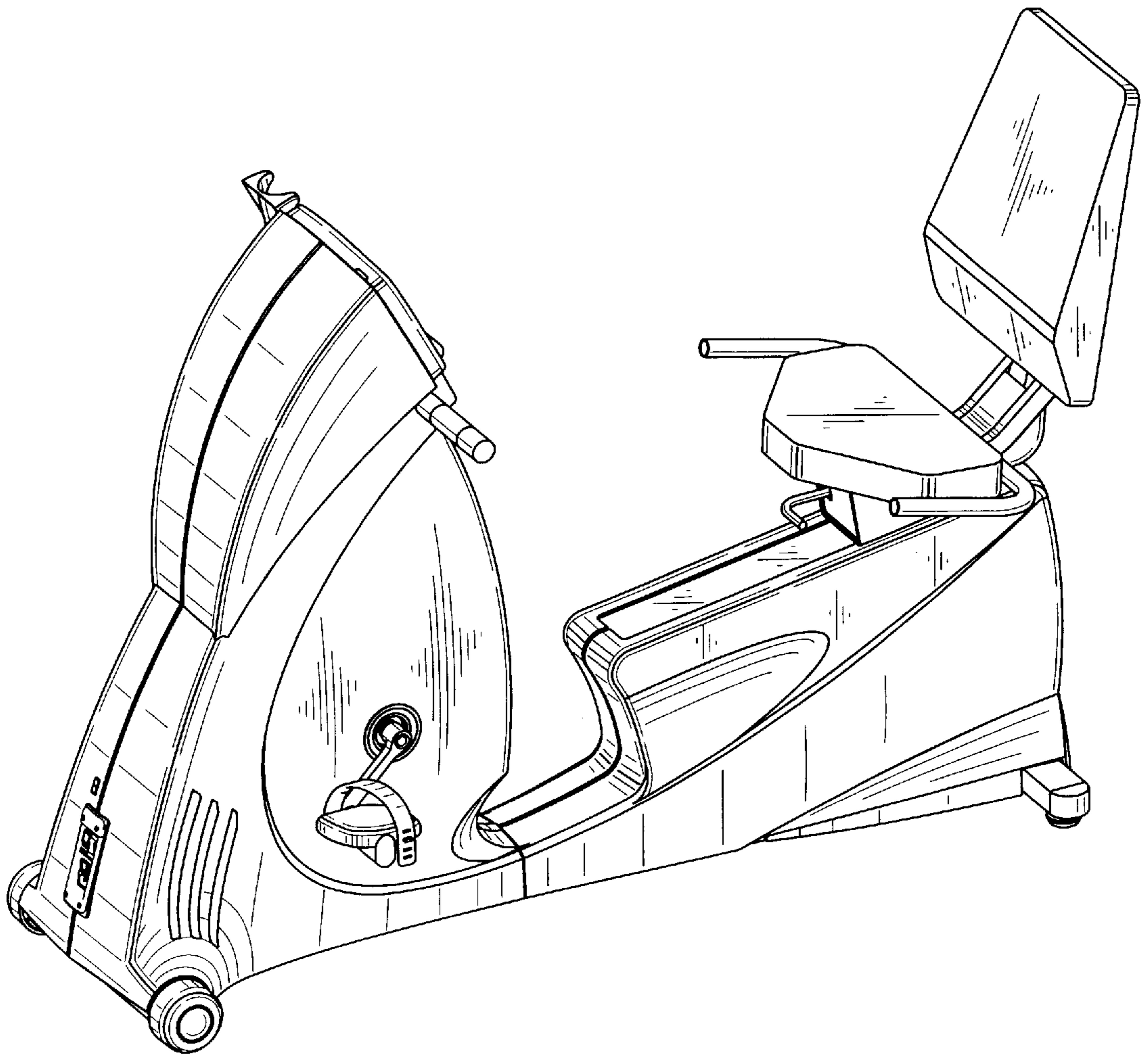
**DESCRIPTION**

FIG. 1 is a front perspective view of an exercise stationary bike showing our new design;  
FIG. 2 is a rear perspective view thereof;  
FIG. 3 is a front view thereof;  
FIG. 4 is a rear view thereof;  
FIG. 5 is a left side view thereof;  
FIG. 6 is a right side view thereof;  
FIG. 7 is a top plan view thereof; and,  
FIG. 8 is a bottom view thereof.

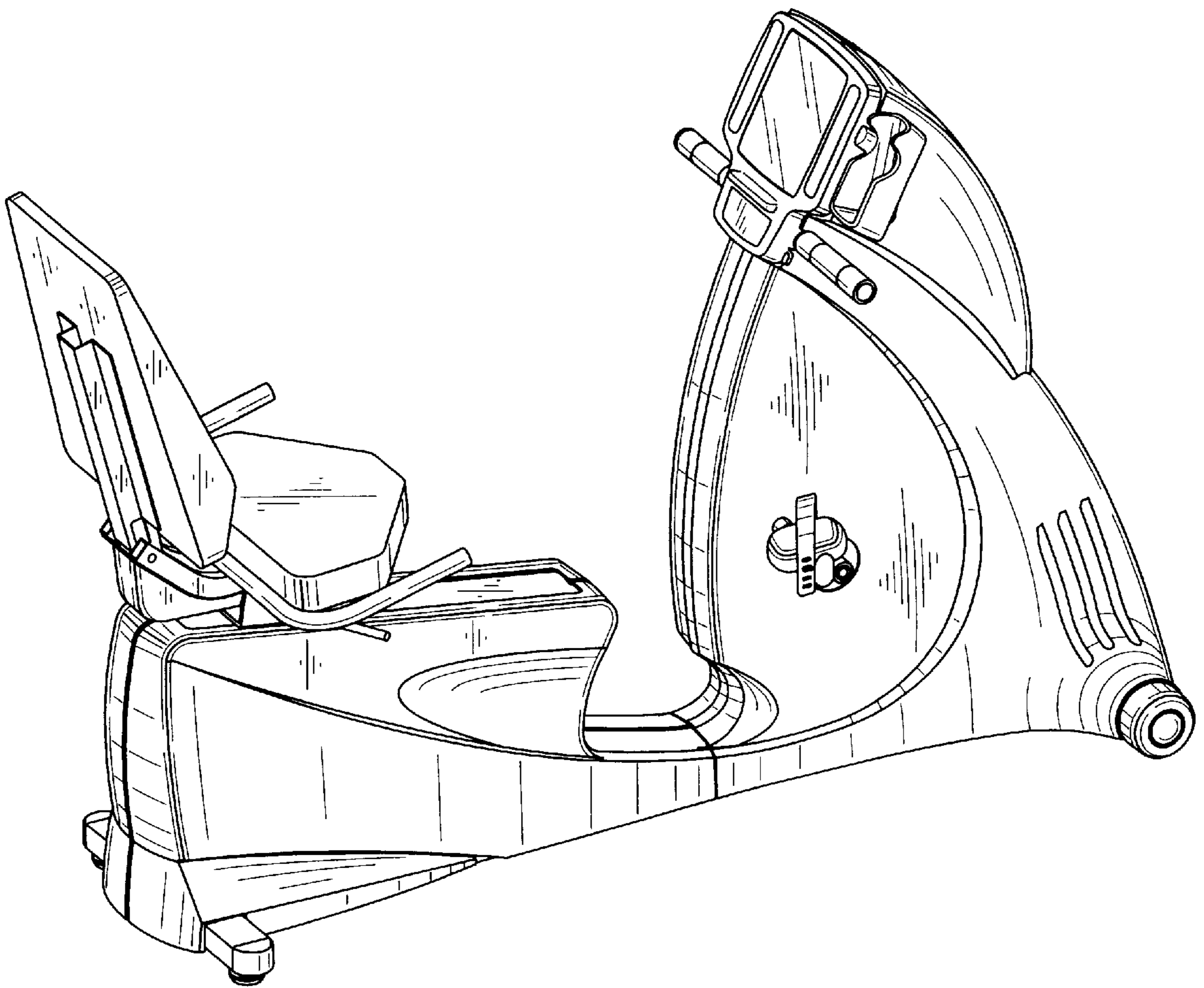
**1 Claim, 6 Drawing Sheets**



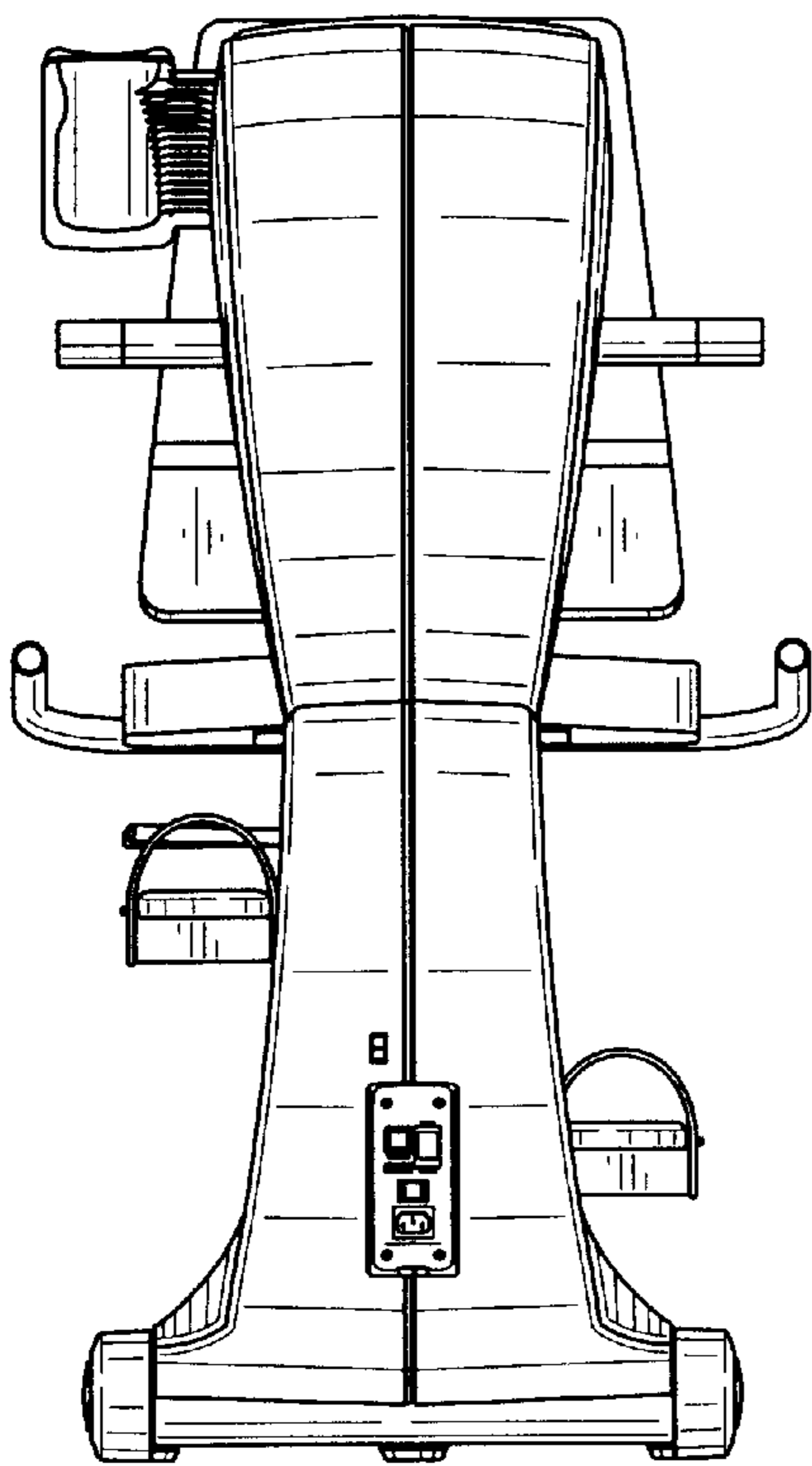
*FIG. 1*



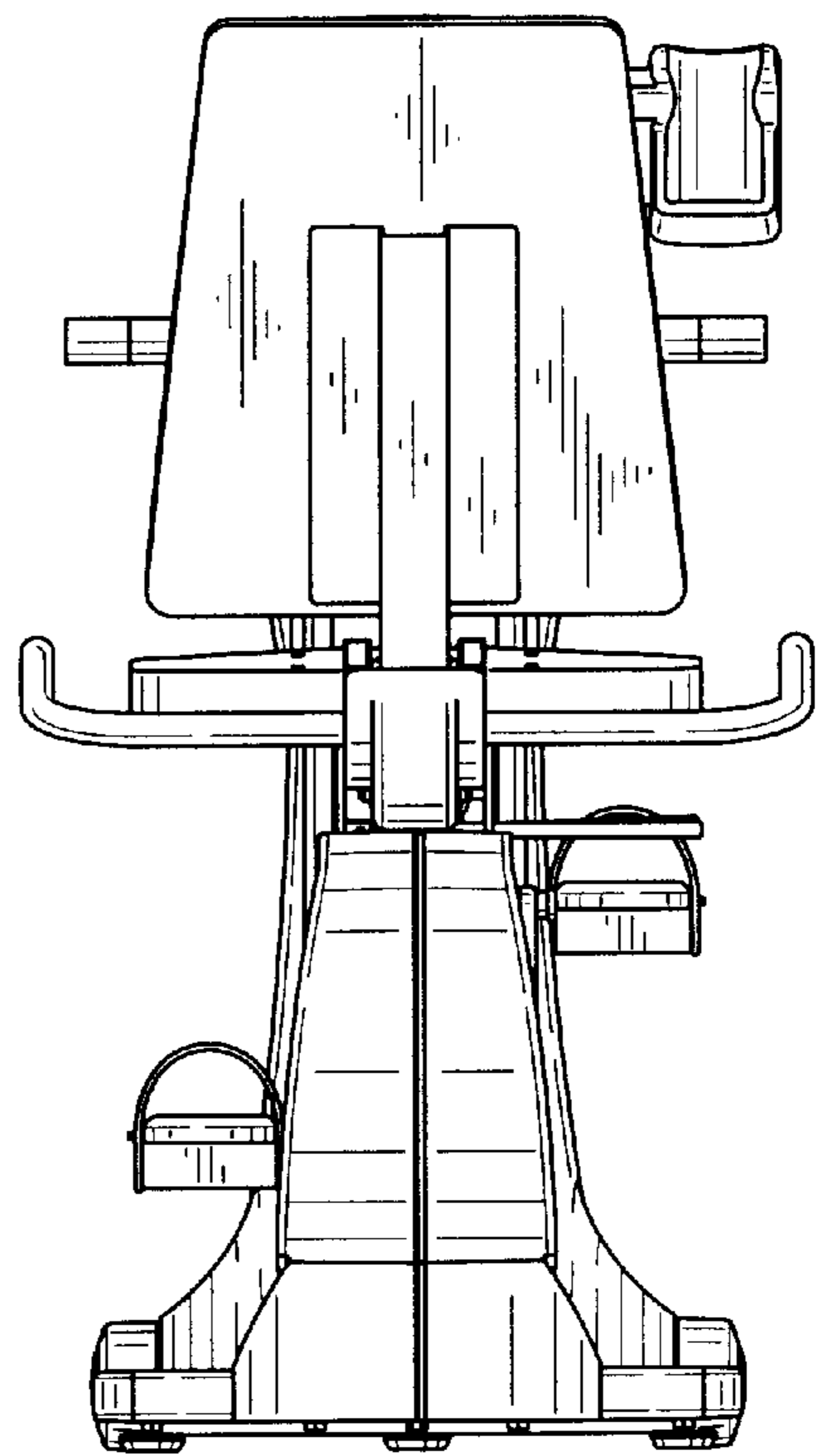
*FIG. 2*



*FIG. 3*

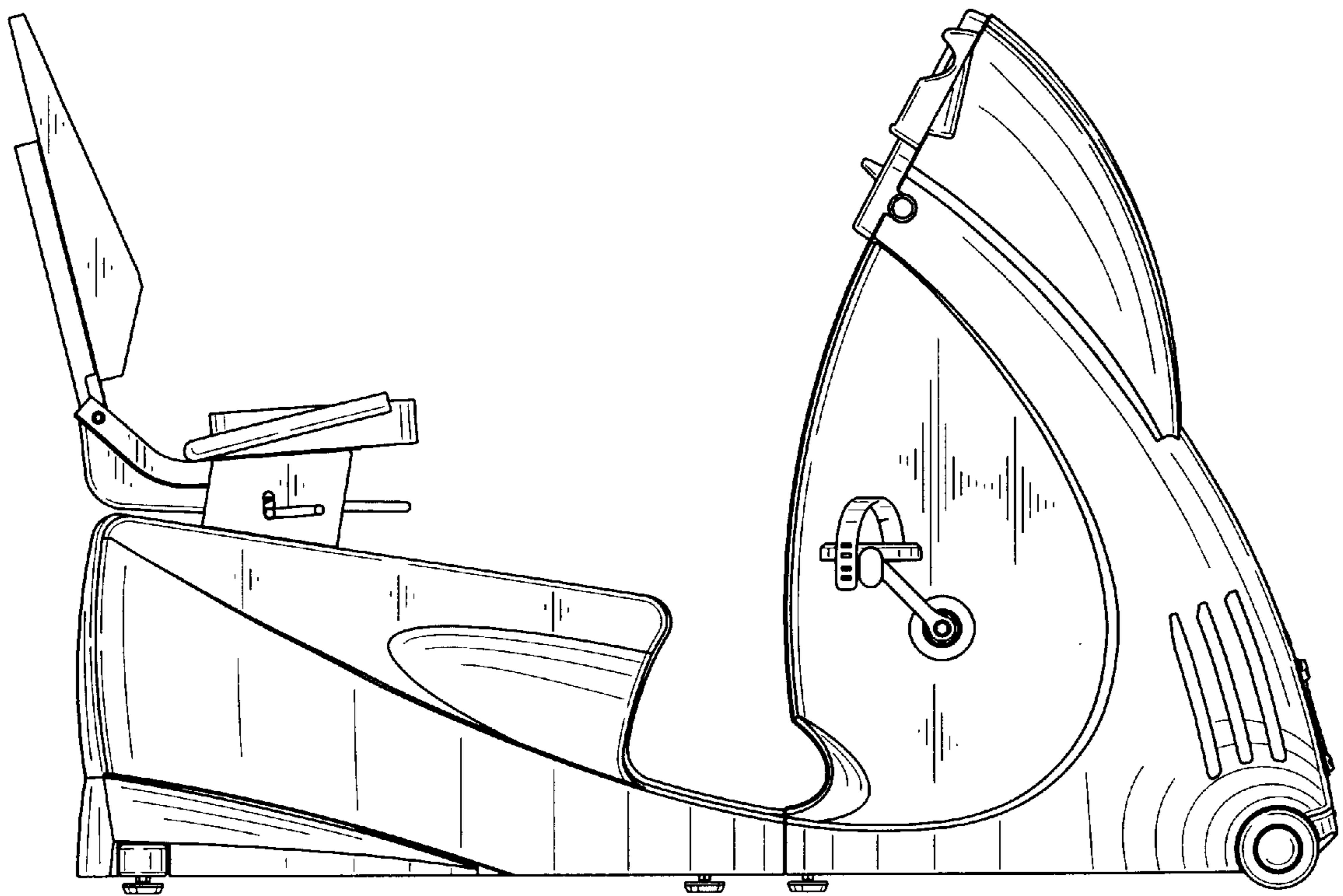


*FIG. 4*

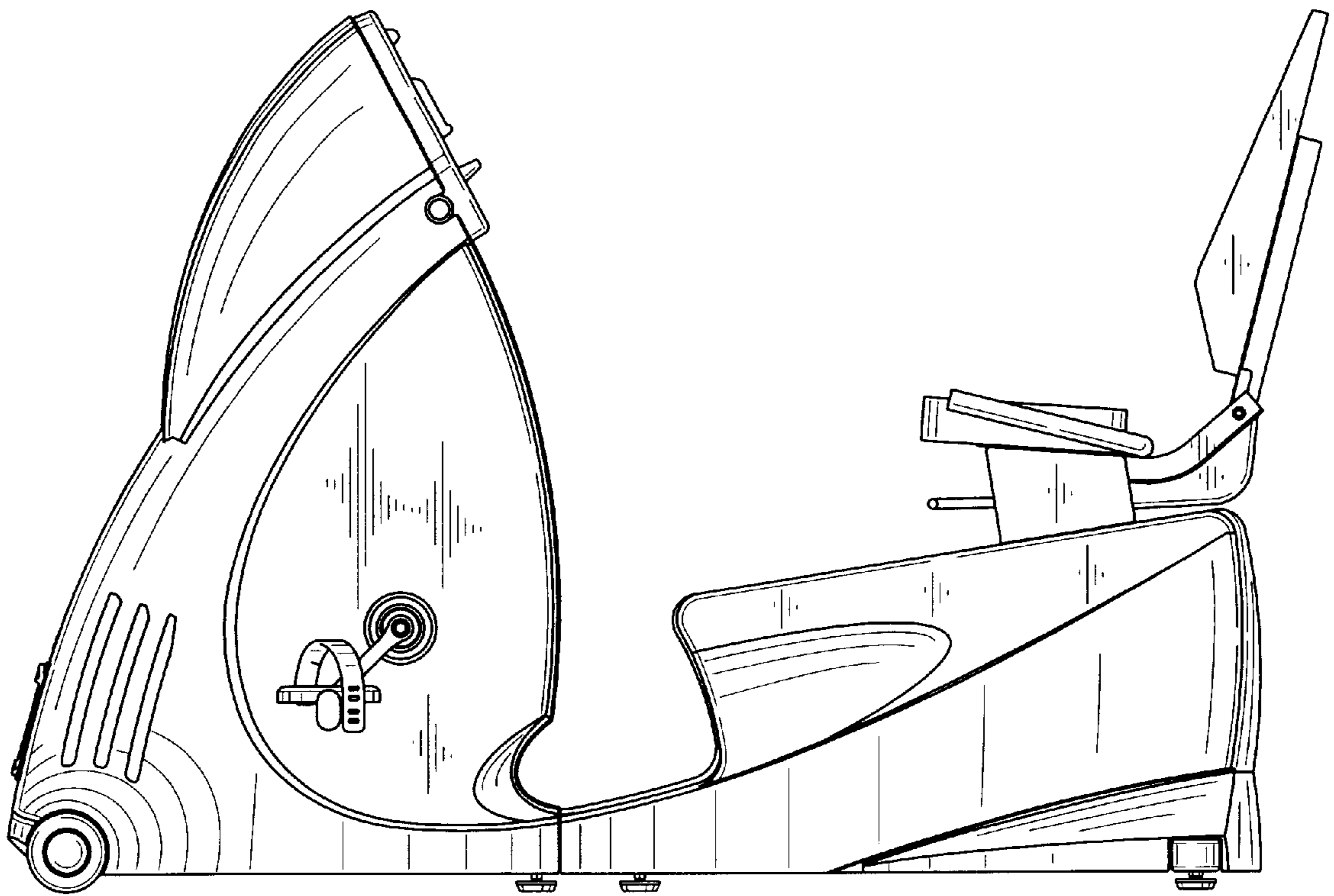




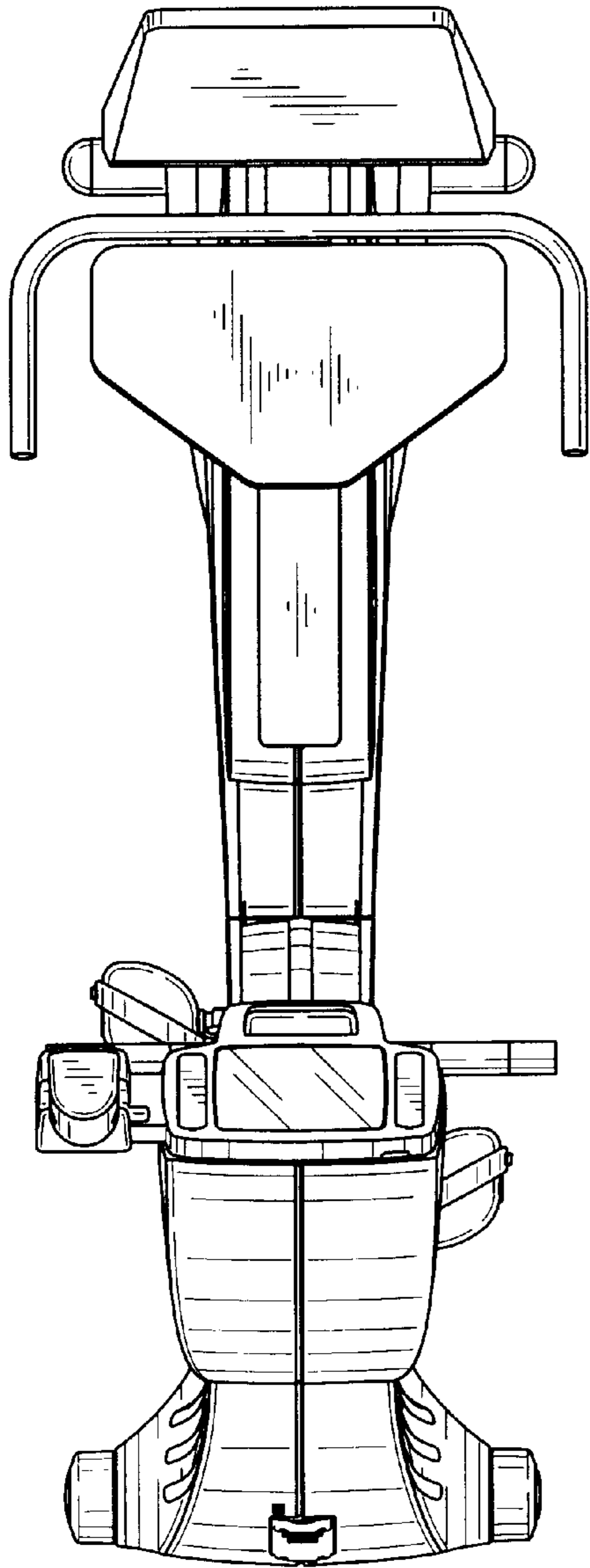
*FIG. 5*



*FIG. 6*



*FIG. 7*



*FIG. 8*

