



US00D479860S

(12) **United States Design Patent**
Lim

(10) **Patent No.:** **US D479,860 S**

(45) **Date of Patent:** **** Sep. 23, 2003**

(54) **CONTROLLER HOLDER WITH DUST
FILTER FOR ELECTRONIC GAME**

(75) **Inventor:** **Tsz-Kin Lim**, Kowloon (CN)

(73) **Assignee:** **Storm Electronics Company Limited**,
Kowloon (CN)

(**) **Term:** **14 Years**

(21) **Appl. No.:** **29/169,734**

(22) **Filed:** **Oct. 25, 2002**

(30) **Foreign Application Priority Data**

Apr. 29, 2002 (HK) 0210575

(51) **LOC (7) Cl.** **21-01**

(52) **U.S. Cl.** **D21/333; D21/324; D14/454;**
D14/217

(58) **Field of Search** D14/400, 401,
D14/413, 454, 496; D21/324, 333; 463/1,
29-35, 46, 47, 38, 40; 223/148 B, 148 R,
309; 345/156-161

(56) **References Cited**

U.S. PATENT DOCUMENTS

4,275,887 A * 6/1981 Tateyama 273/148 B

6,019,680 A * 2/2000 Cheng 273/148 B

6,193,609 B1 * 2/2001 D'Achard Van Enschut 273/
148 B

D441,760 S * 5/2001 Hibino D14/454

6,225,975 B1 * 5/2001 Furuki et al. 345/156

D462,096 S * 8/2002 Hussaini et al. D21/333

D466,951 S * 12/2002 Hang D21/333

D470,192 S * 2/2003 Ku D21/333

* cited by examiner

Primary Examiner—Prabhakar Deshmukh

(74) *Attorney, Agent, or Firm*—Alix, Yale & Ristas, LLP

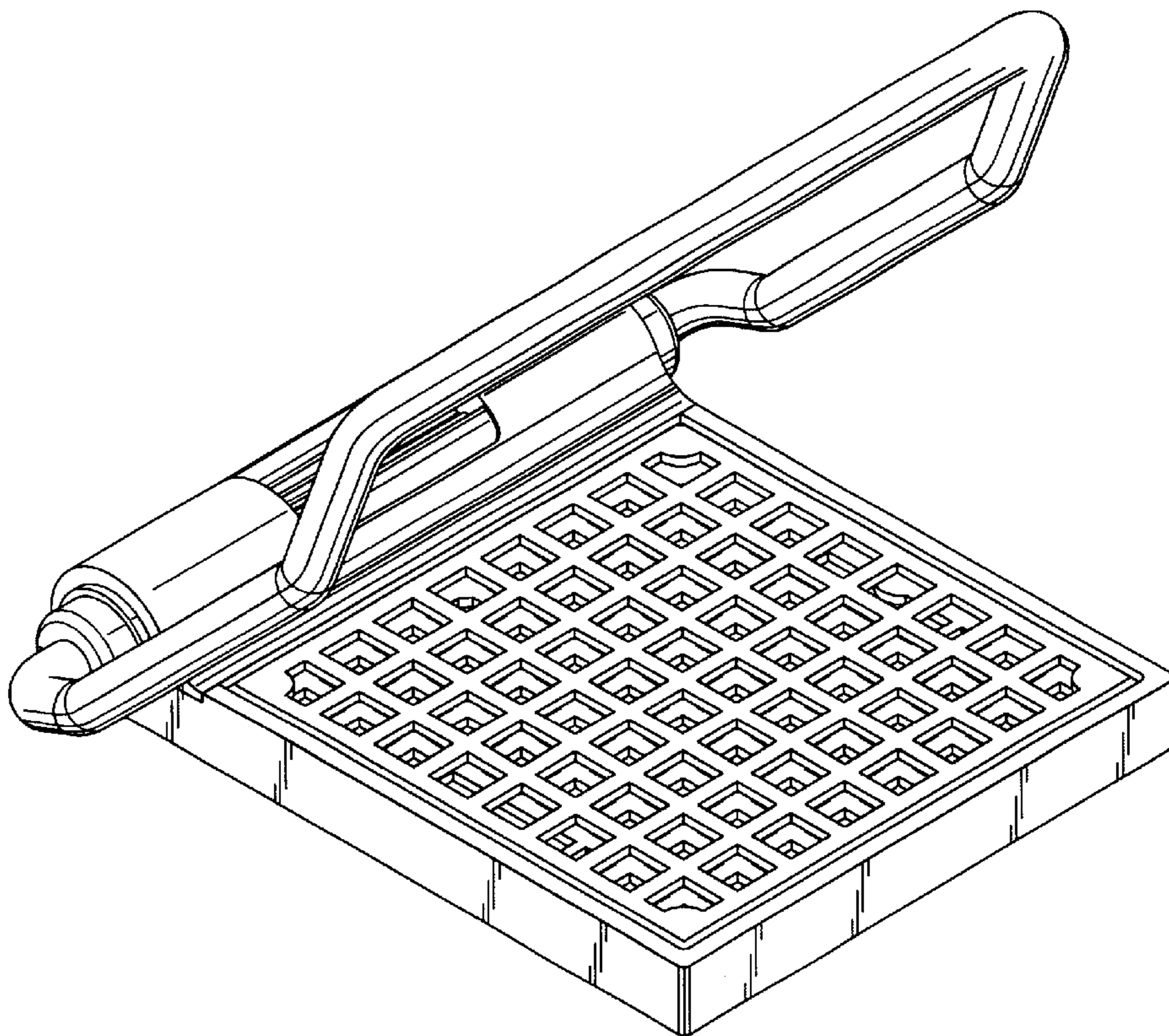
(57) **CLAIM**

The ornamental design for a controller holder with dust filter for electronic game, as shown and described.

DESCRIPTION

FIG. 1 is a front perspective view of a controller holder with dust filter for electronic game showing my new design; FIG. 2 is a front perspective view in opened position thereof; FIG. 3 is a front elevational view thereof; FIG. 4 is a top plan view thereof; FIG. 5 is a left side elevational view thereof; FIG. 6 is a right side elevational view thereof; FIG. 7 is a rear elevational view thereof; and, FIG. 8 is a bottom plan view thereof.

1 Claim, 4 Drawing Sheets



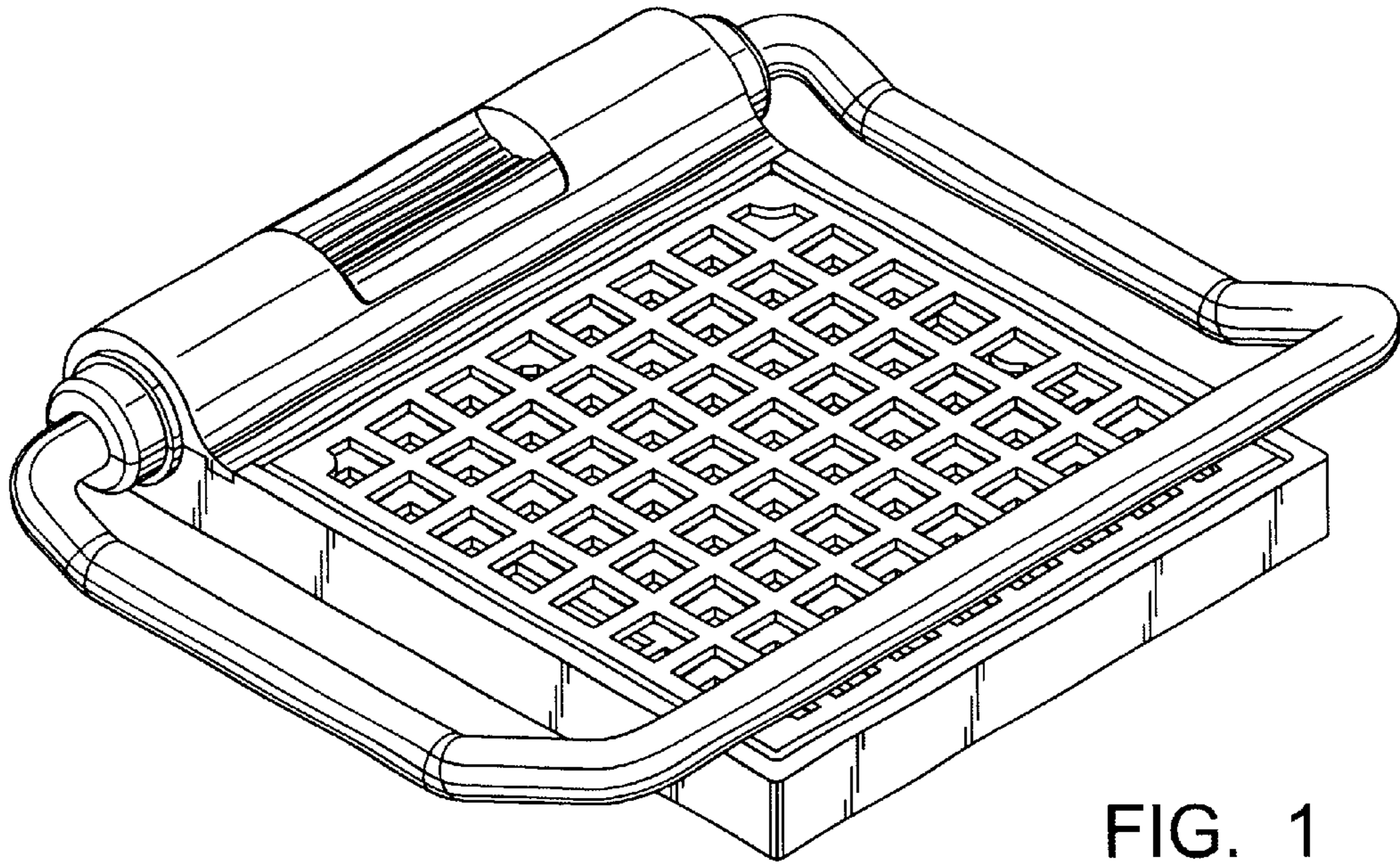


FIG. 1

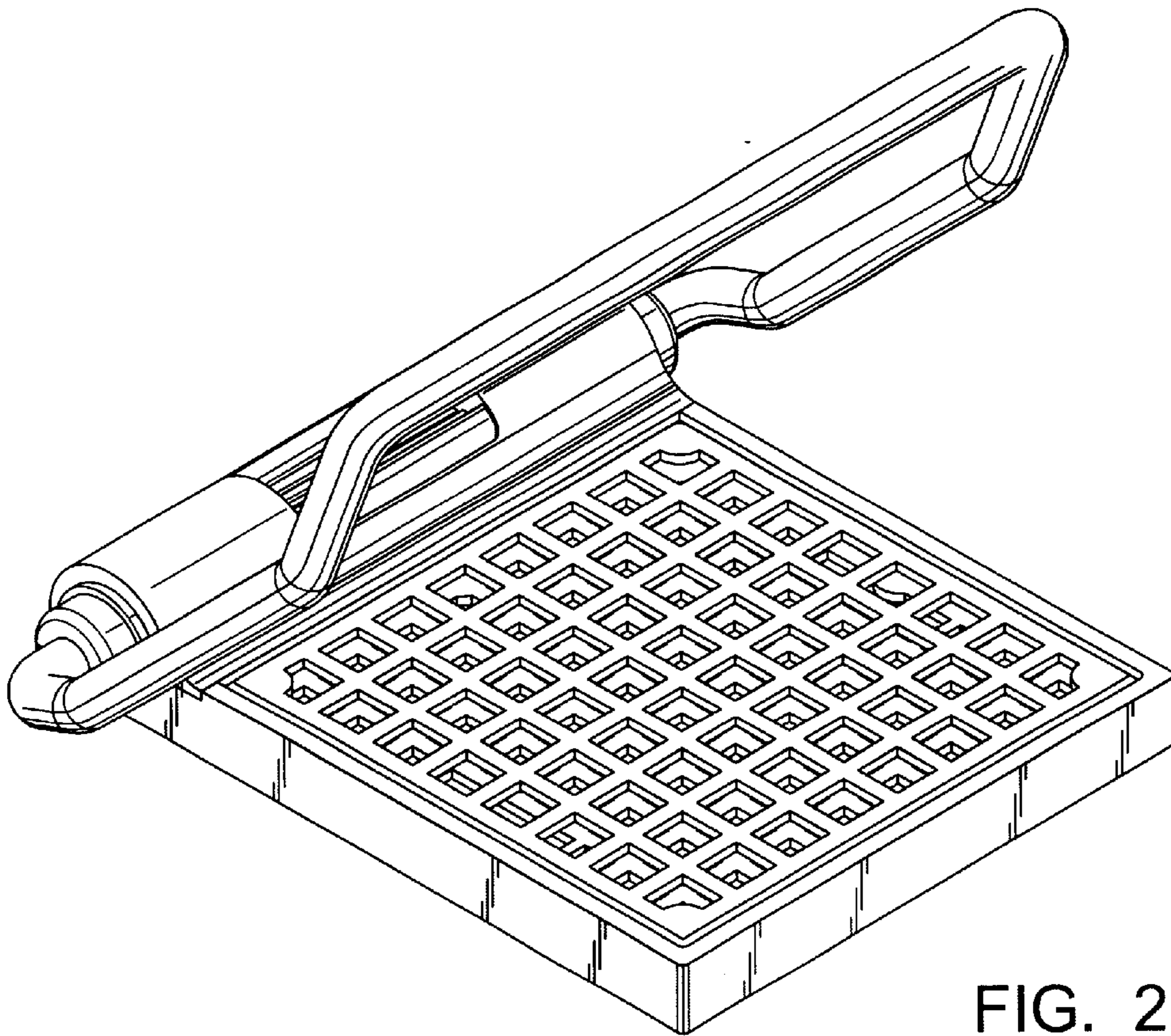


FIG. 2

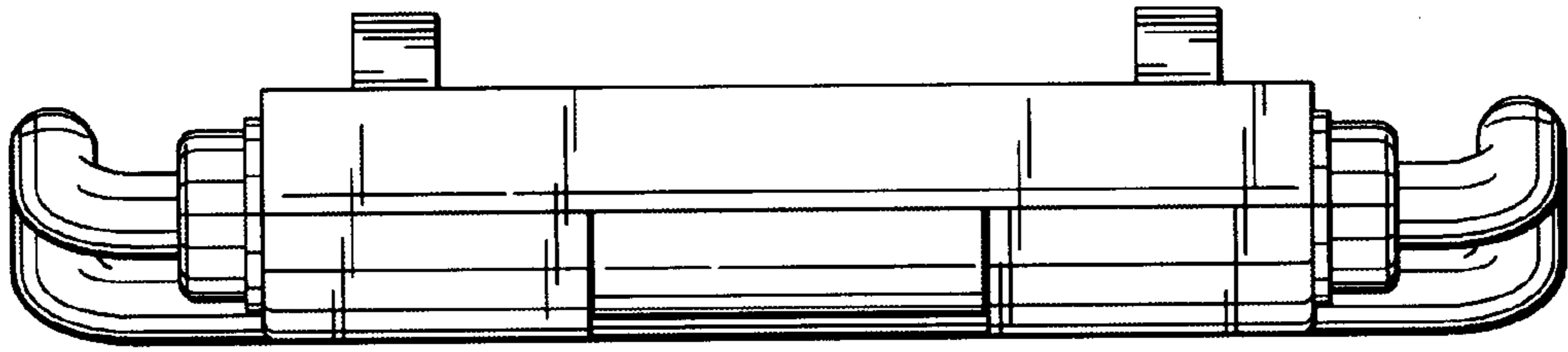


FIG. 4

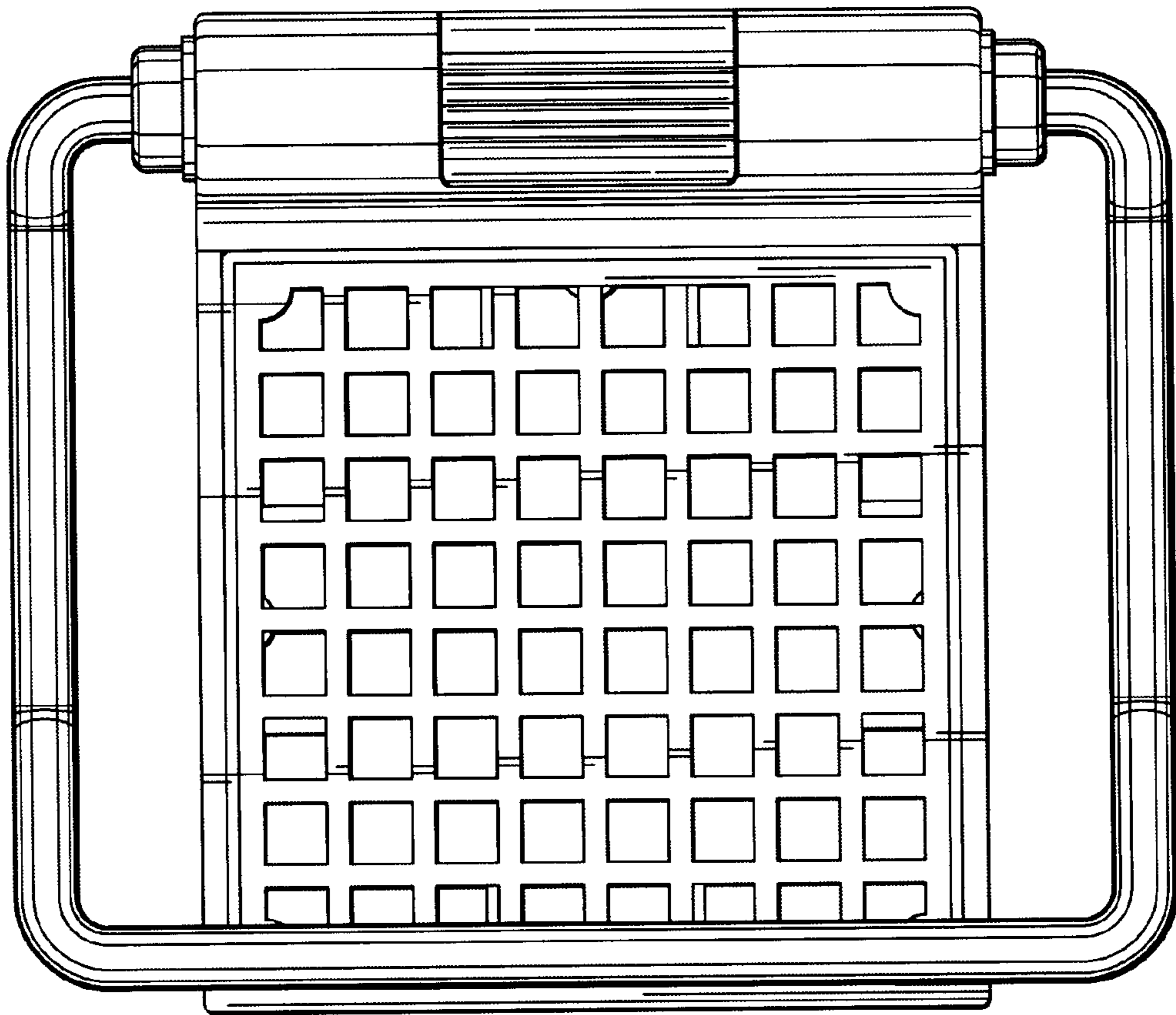


FIG. 3

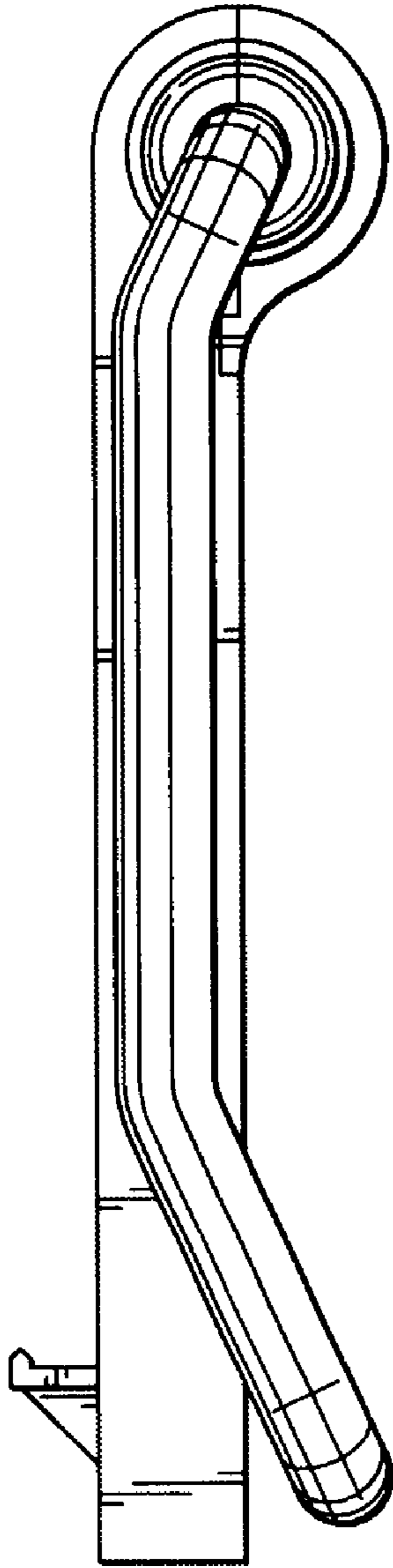


FIG. 5

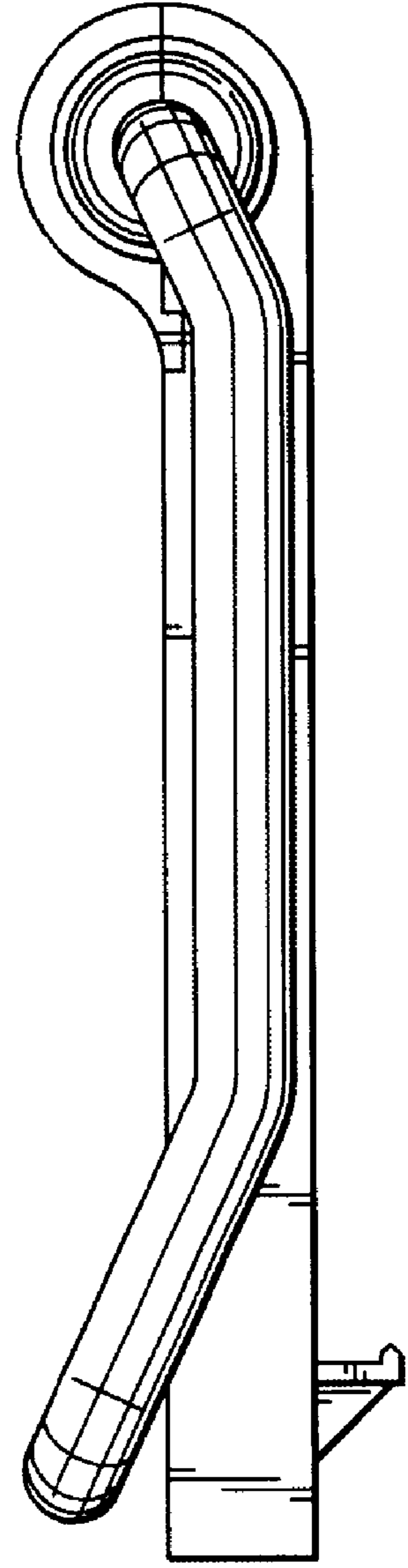


FIG. 6

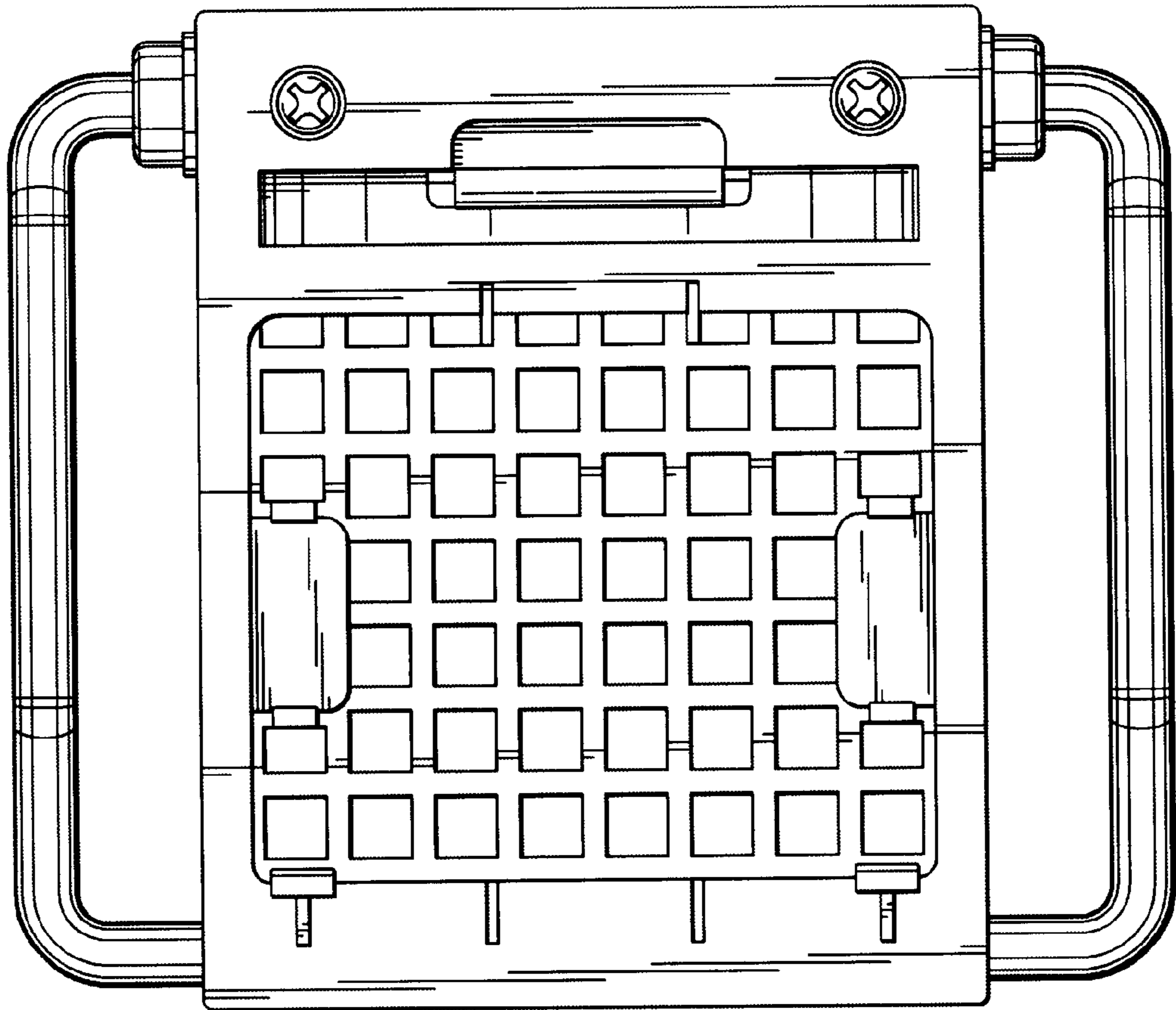


FIG. 7

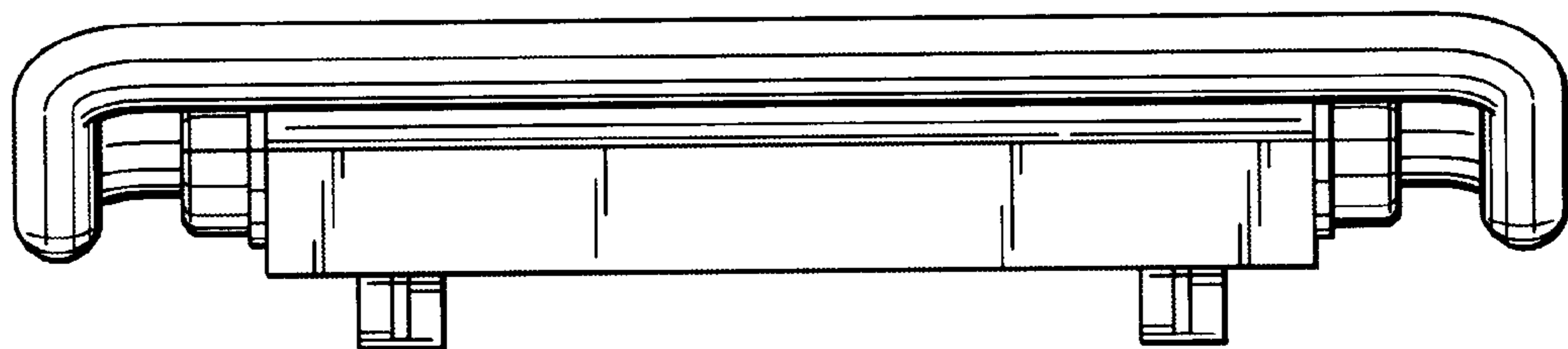


FIG. 8