



US00D479857S

(12) **United States Design Patent**  
**Huang**

(10) **Patent No.:** **US D479,857 S**

(45) **Date of Patent:** **\*\* Sep. 23, 2003**

(54) **PUNCH**

(76) **Inventor:** **Chien Kai Huang**, No.136, Tsu Chiang Road, Changhua City (TW)

(\*\*) **Term:** **14 Years**

(21) **Appl. No.:** **29/173,840**

(22) **Filed:** **Jan. 8, 2003**

(51) **LOC (7) Cl.** ..... **19-02**

(52) **U.S. Cl.** ..... **D19/72**

(58) **Field of Search** ..... D19/65, 72, 95,  
D19/99, 100, 73; D8/49, 50, 51, 98, 105;  
30/358, 363, 364, 285, 289, 294, DIG. 3;  
83/465, 467, 550, 560, 167, 627, 588, 618,  
633

(56) **References Cited**

**U.S. PATENT DOCUMENTS**

D152,283 S \* 1/1949 Misson ..... D19/72  
2,587,749 A \* 3/1952 Misson ..... 83/627  
2,717,643 A \* 9/1955 Marano ..... 83/588

4,713,995 A \* 12/1987 Davi ..... 83/167  
D349,301 S \* 8/1994 Mori ..... D19/72  
D467,618 S \* 12/2002 Gstalder ..... D19/72  
D468,772 S \* 1/2003 Robillard ..... D19/72

\* cited by examiner

*Primary Examiner*—Martie K. Holtje

(74) *Attorney, Agent, or Firm*—Rosenberg, Klein & Lee

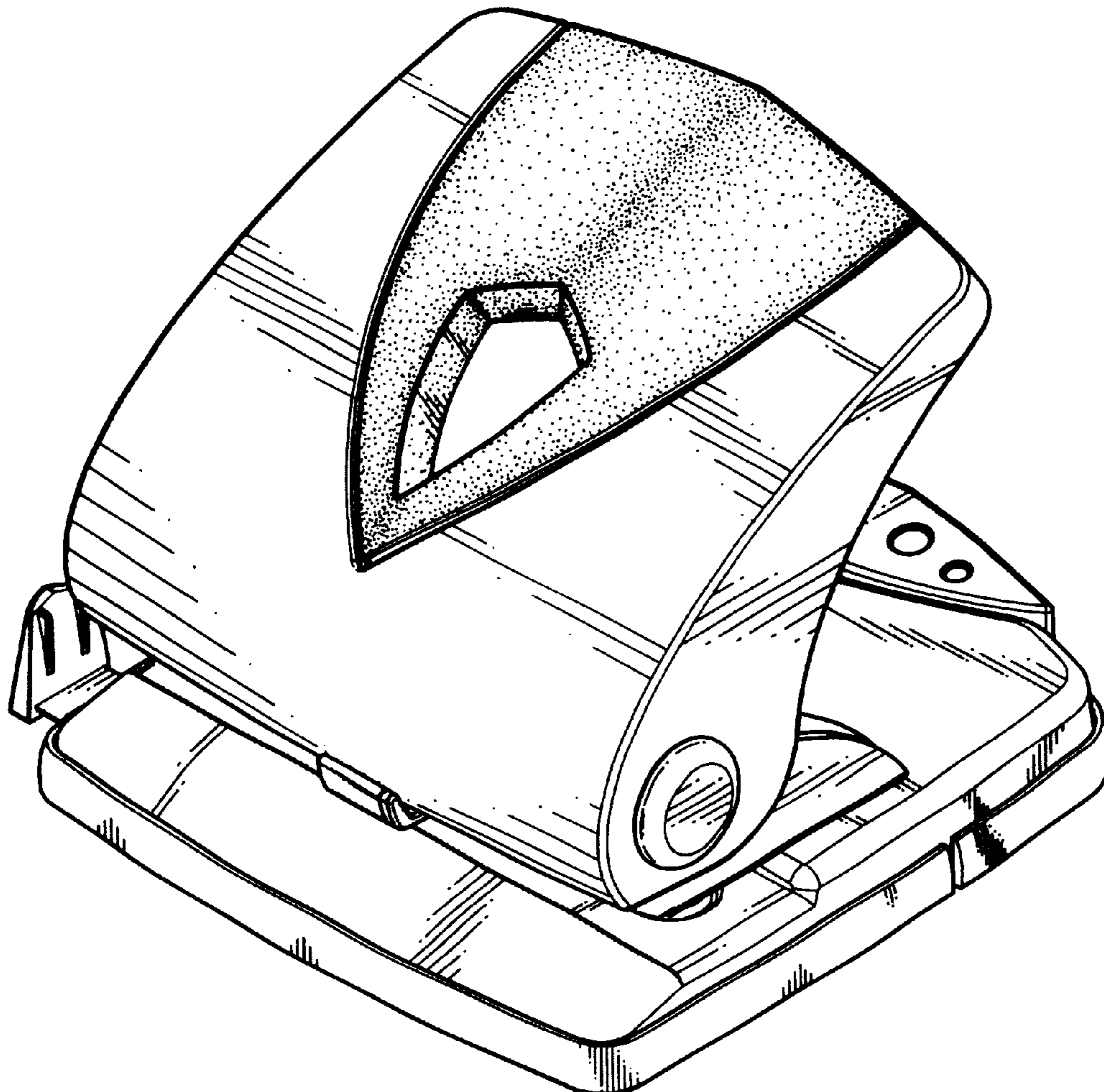
(57) **CLAIM**

The ornamental design for a punch, as shown and described.

**DESCRIPTION**

FIG. 1 is a front-right-top perspective view of a punch, showing my new design;  
FIG. 2 is a front elevational view thereof;  
FIG. 3 is a rear elevational view thereof;  
FIG. 4 is a left side elevational view thereof;  
FIG. 5 is a right side elevational view thereof;  
FIG. 6 is a top plan view thereof; and,  
FIG. 7 is a bottom plan view thereof.

**1 Claim, 4 Drawing Sheets**



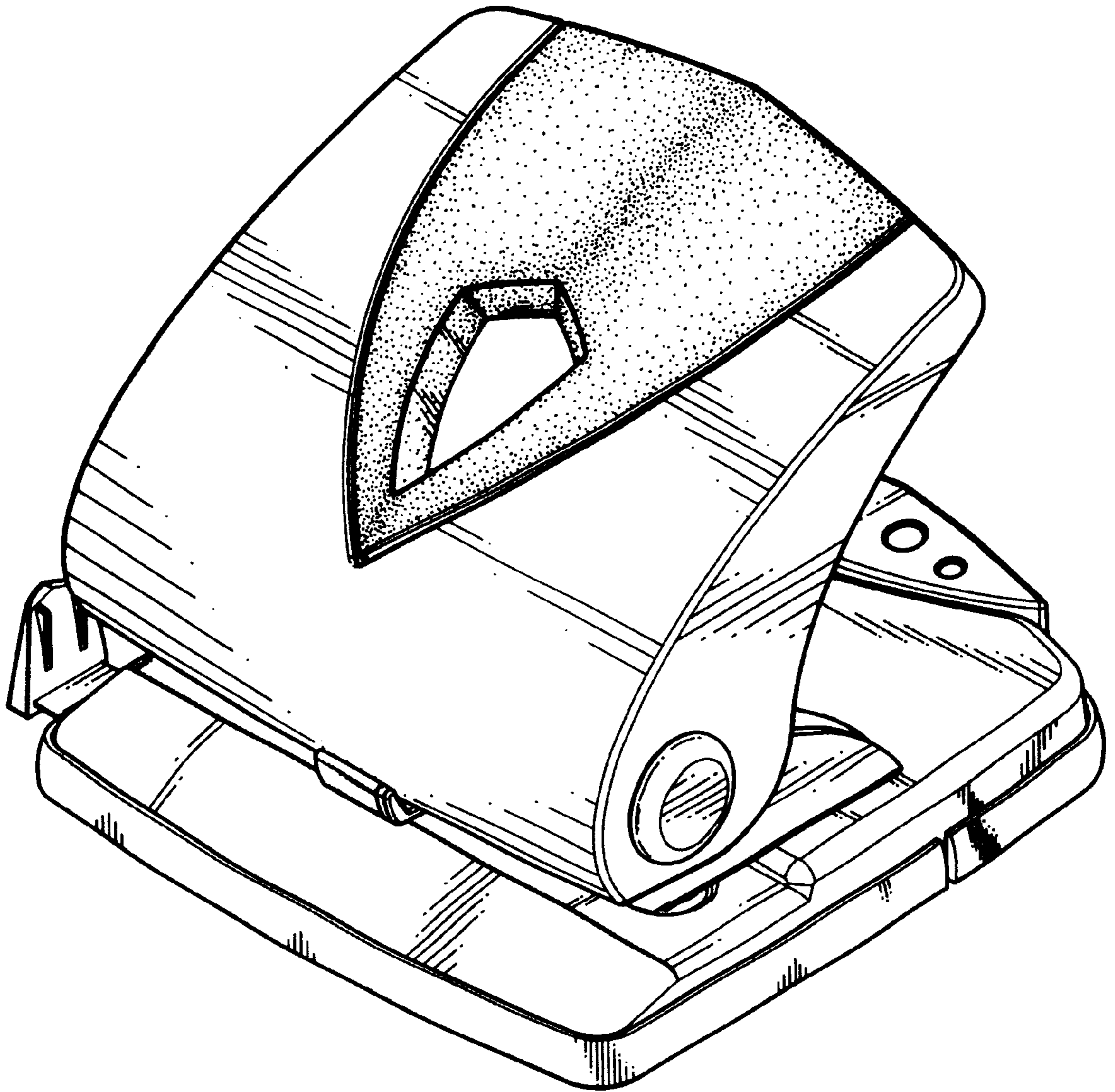


FIG. 1

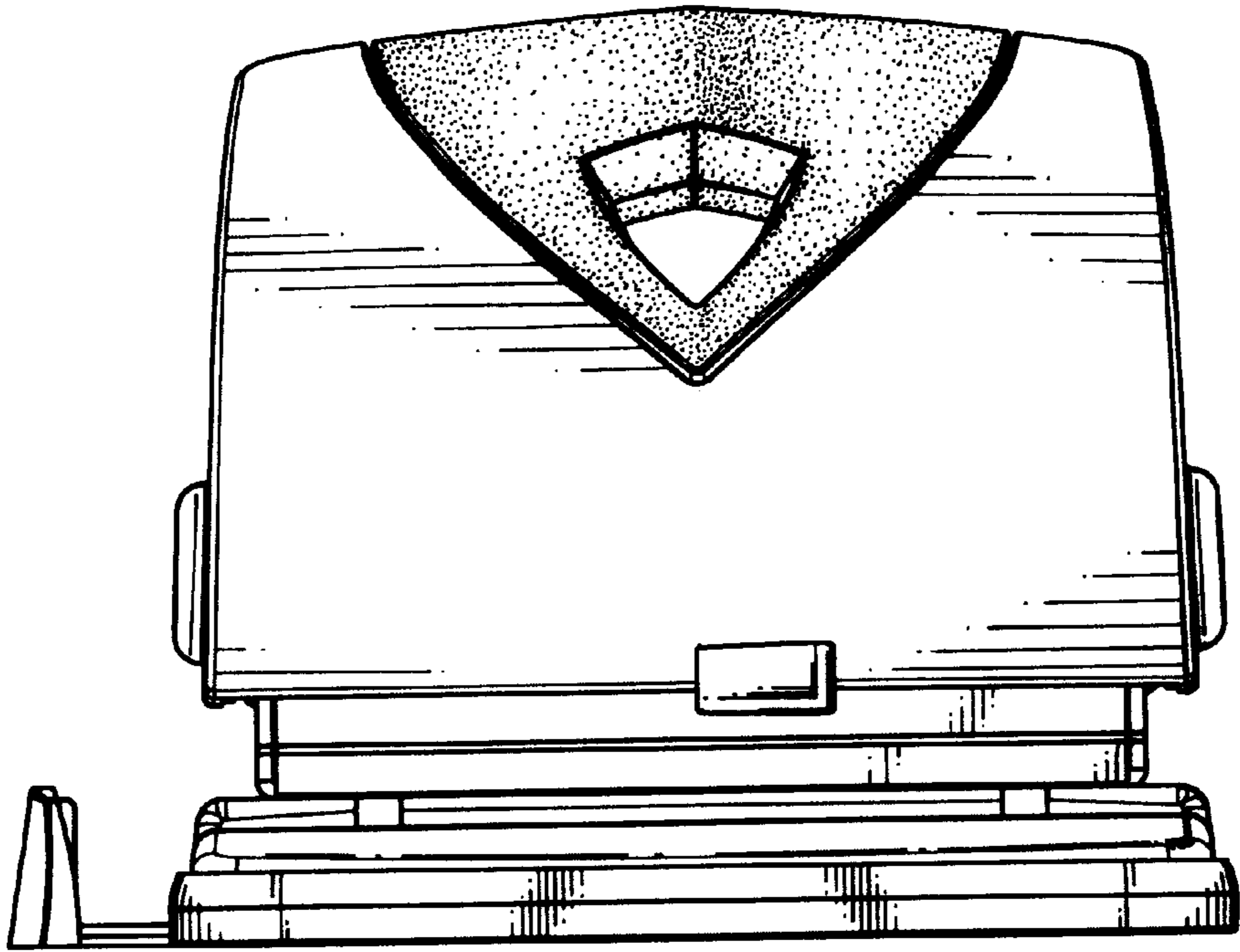


FIG. 2

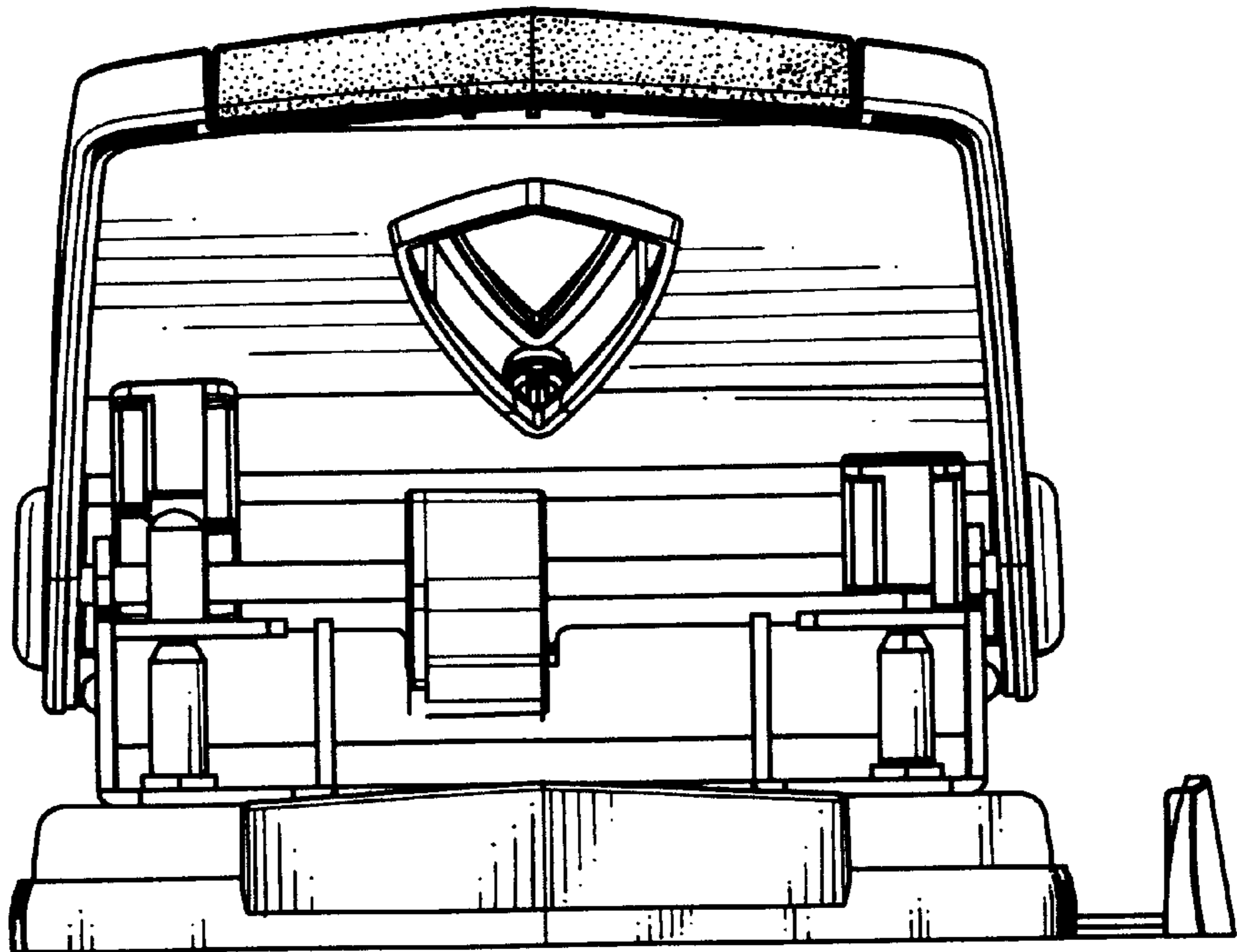


FIG. 3

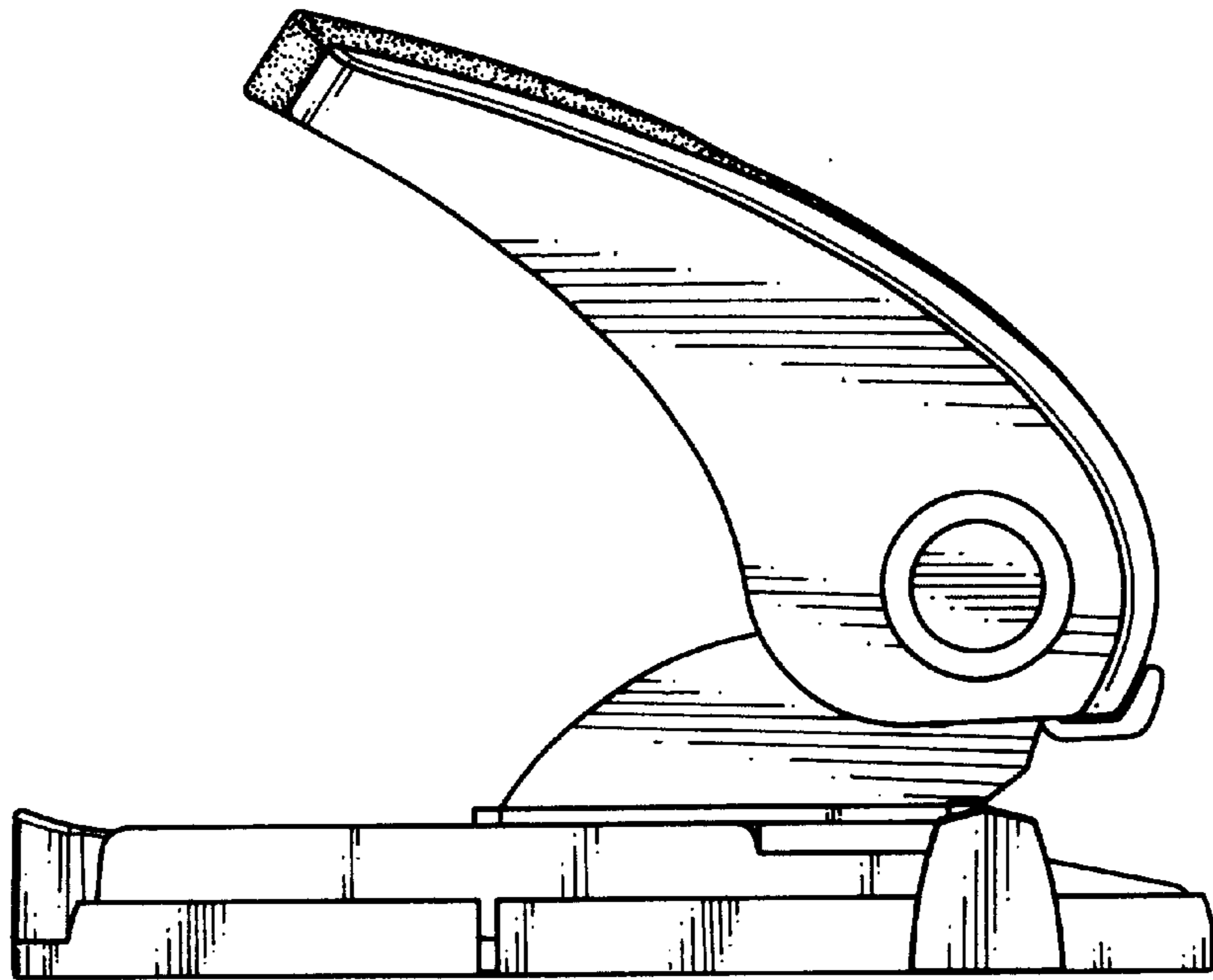


FIG. 4

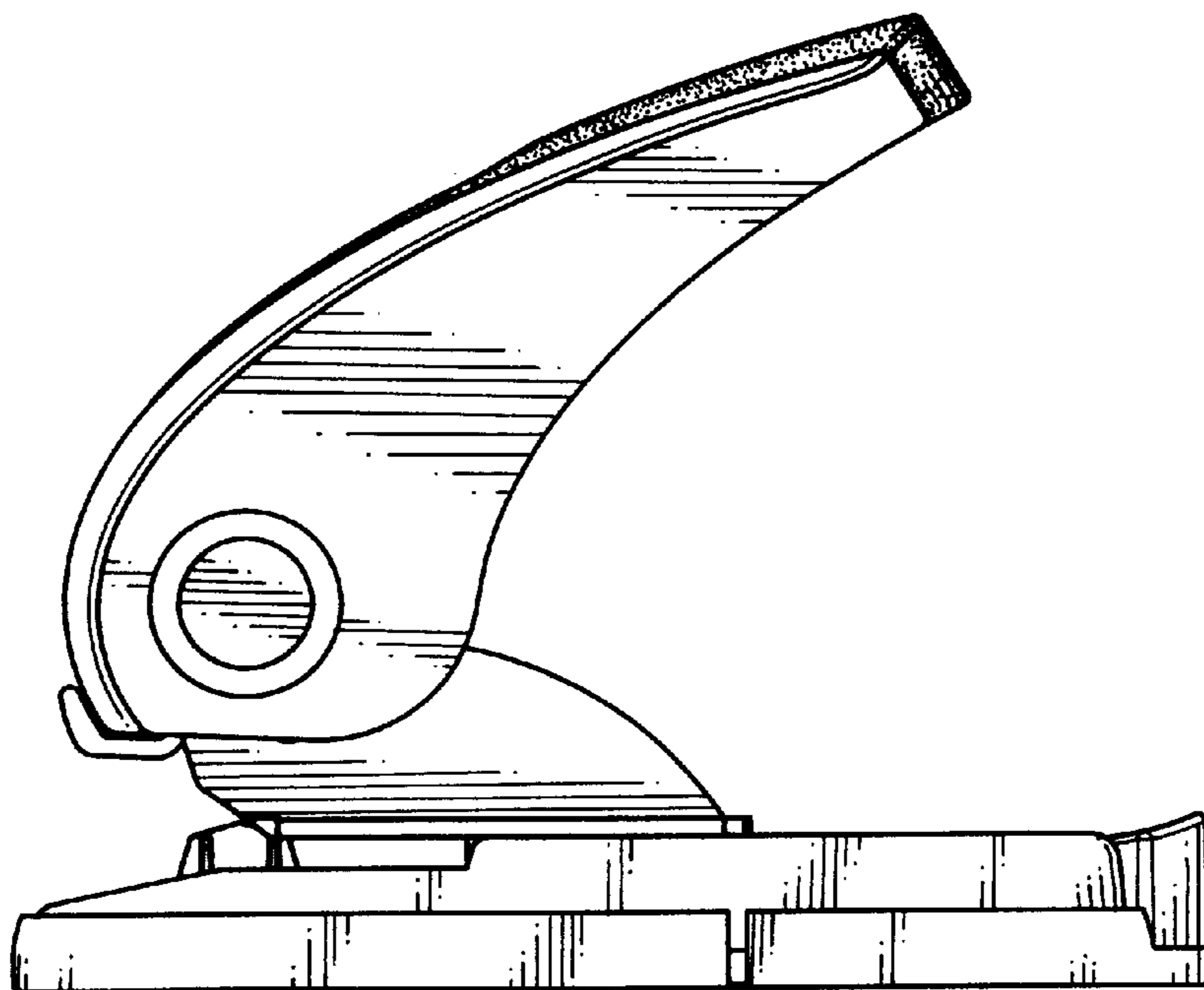


FIG. 5

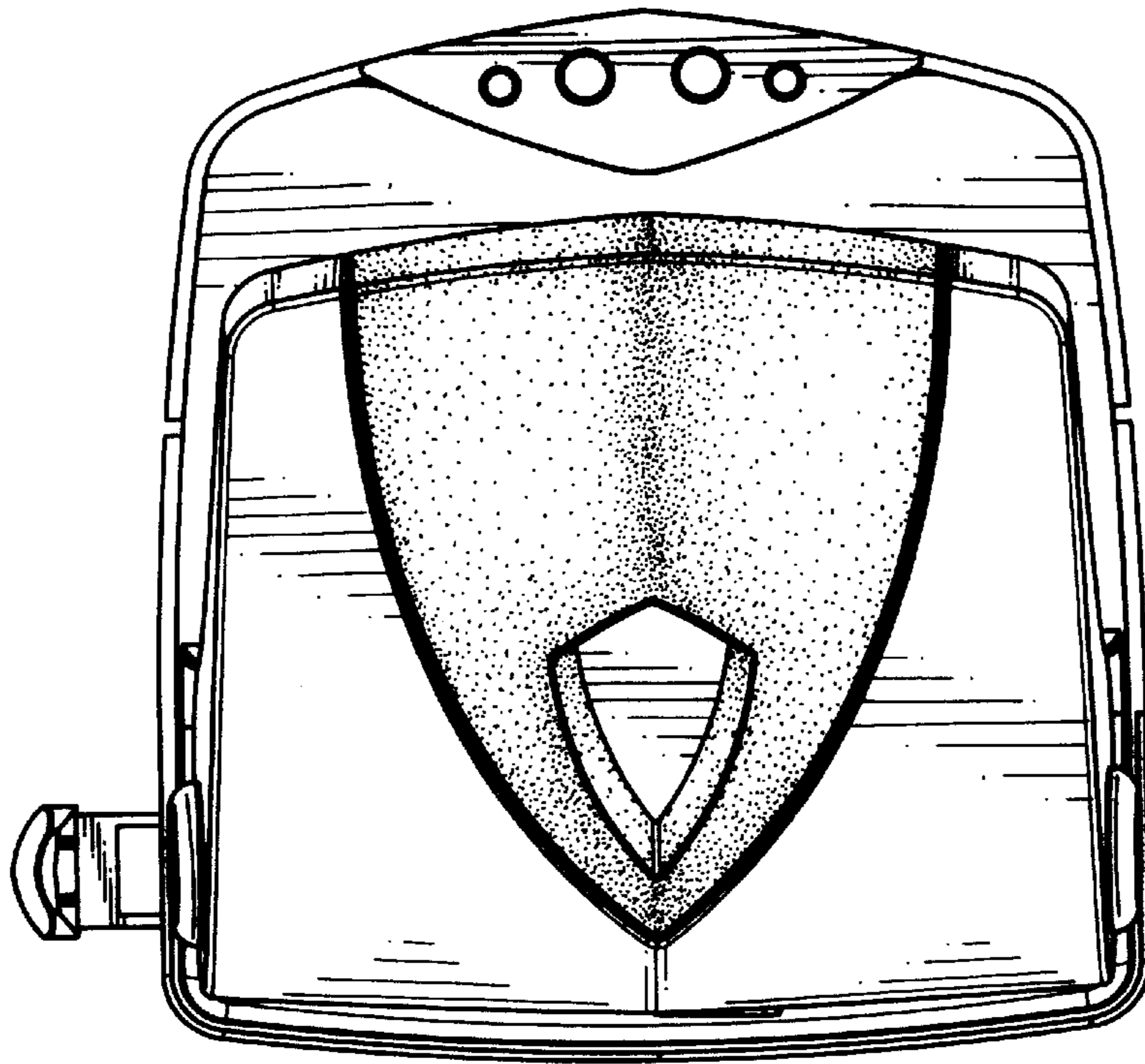


FIG. 6

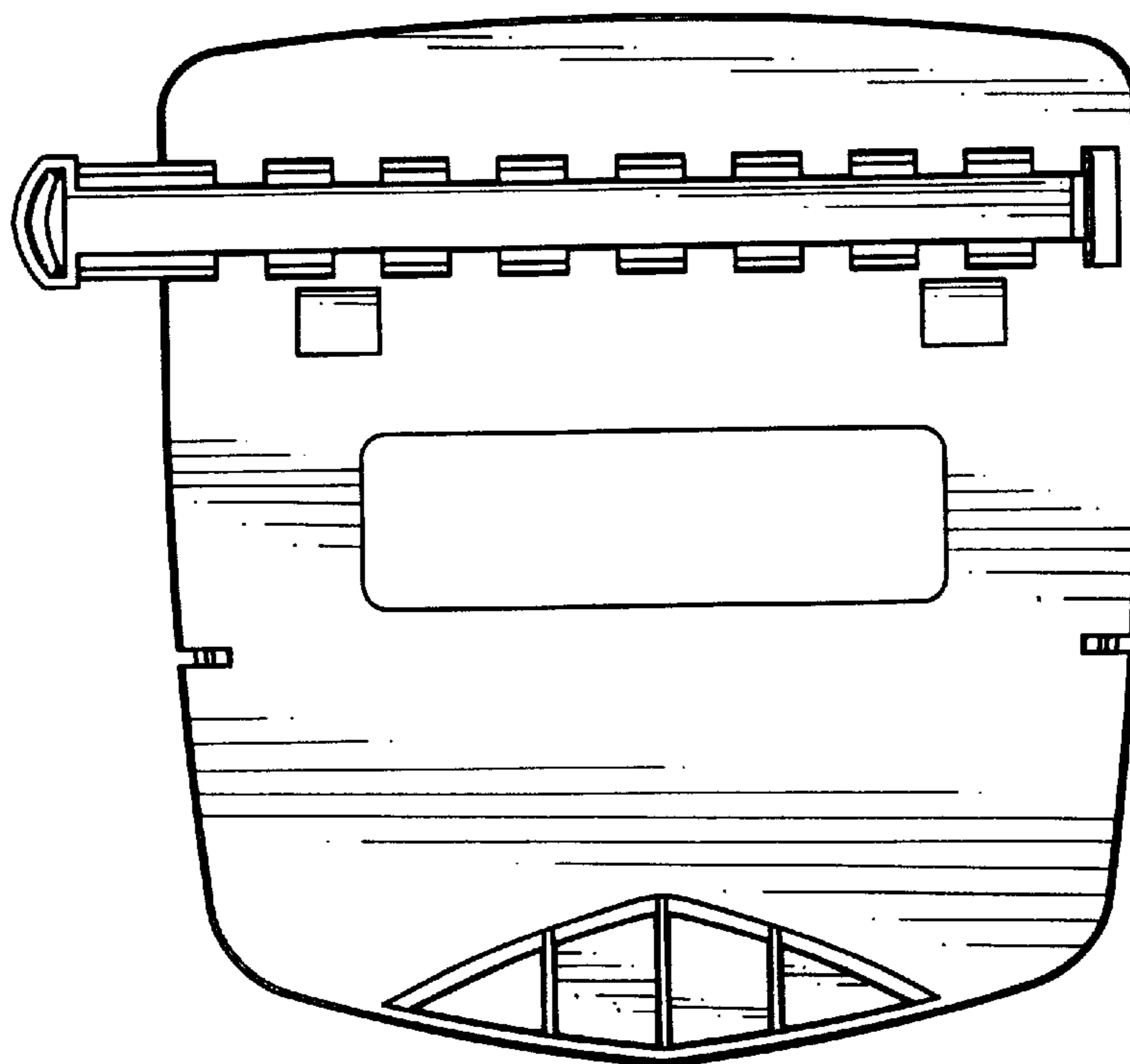


FIG. 7