



US00D479856S

(12) **United States Design Patent**
Hui

(10) **Patent No.:** **US D479,856 S**

(45) **Date of Patent:** **** Sep. 23, 2003**

(54) **MARKER PEN**

(75) Inventor: **Ve-chung Hui**, Chai Wan (HK)

(73) Assignee: **Tung Yik International Ltd.**, Chai Wan (HK)

(**) Term: **14 Years**

(21) Appl. No.: **29/169,835**

(22) Filed: **Oct. 28, 2002**

(51) **LOC (7) Cl.** **19-06**

(52) **U.S. Cl.** **D19/43; D19/49; D19/56**

(58) **Field of Search** D19/35, 36, 41-51,
D19/53-58, 81-85; 401/98, 196, 202, 213,
243-247, 261, 262

(56) **References Cited**

U.S. PATENT DOCUMENTS

D161,826 S * 2/1951 Ferber D19/49
D223,688 S * 5/1972 Schnur et al. D19/49

D366,902 S * 2/1996 Takahashi D19/51
D409,656 S * 5/1999 Melnick D19/36
D441,398 S * 5/2001 Owen et al. D19/49
D471,587 S * 3/2003 Hautzinger D19/43

* cited by examiner

Primary Examiner—Martie K. Holtje

(74) *Attorney, Agent, or Firm*—Raymon Y. Chan; David and Raymond Patent Group

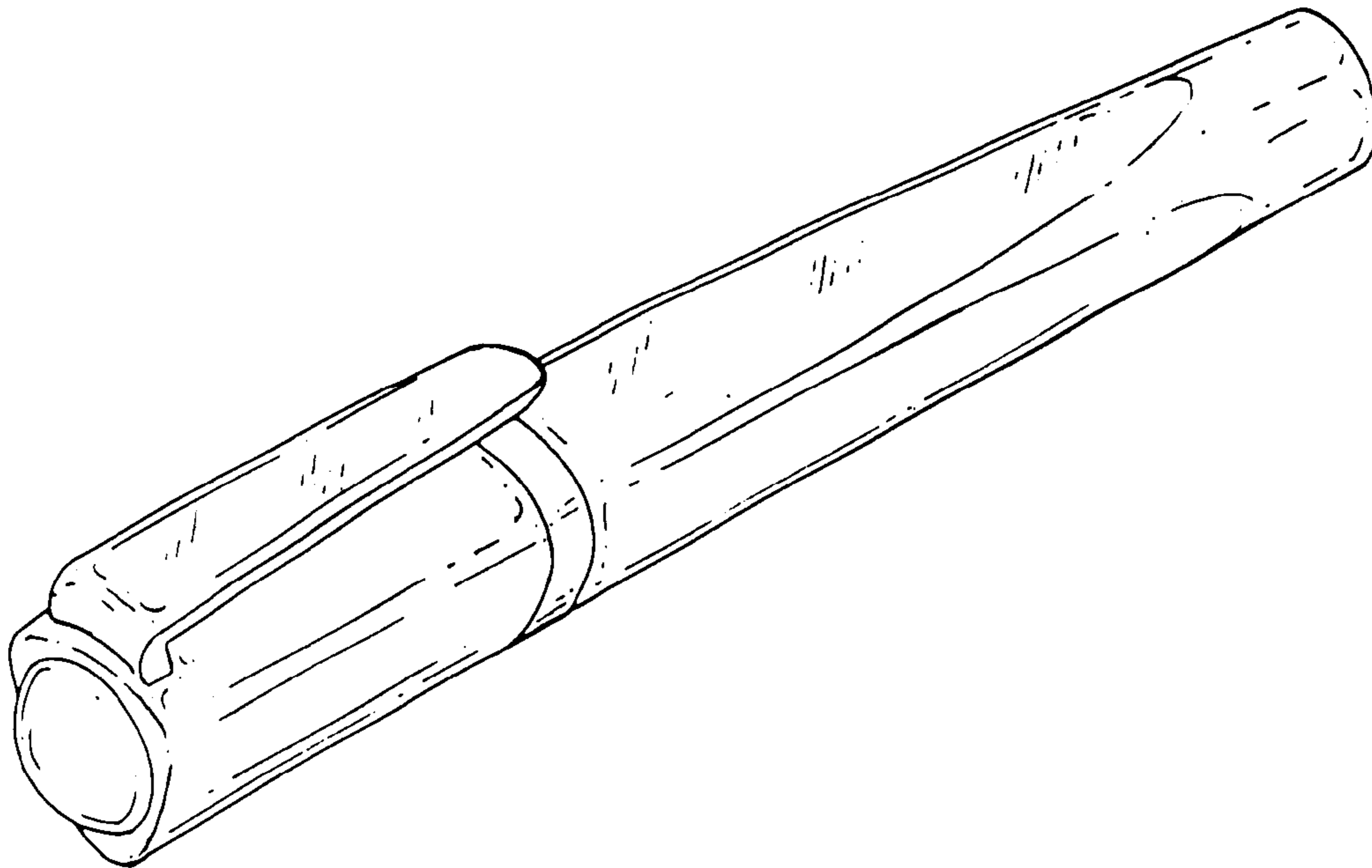
(57) **CLAIM**

The ornamental design for a marker pen, as shown.

DESCRIPTION

FIG. 1 is a perspective view showing my new design.
FIG. 2 is a top plan view thereof;
FIG. 3 is a bottom plan view thereof;
FIG. 4 is a left side elevational view thereof;
FIG. 5 is a right side elevational view thereof;
FIG. 6 is a front elevational view thereof; and,
FIG. 7 is a rear elevational view thereof.

1 Claim, 7 Drawing Sheets



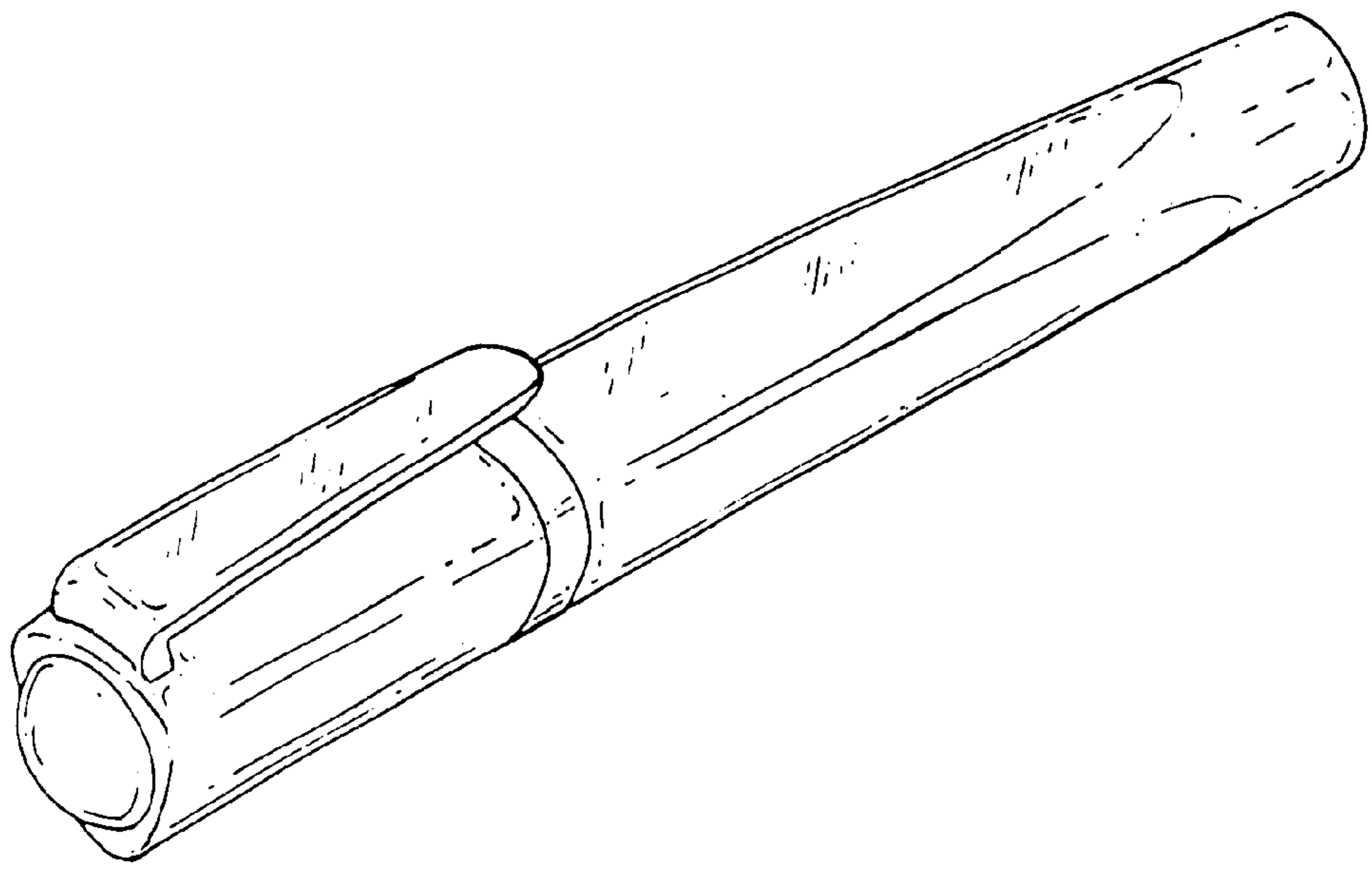


FIG. 1

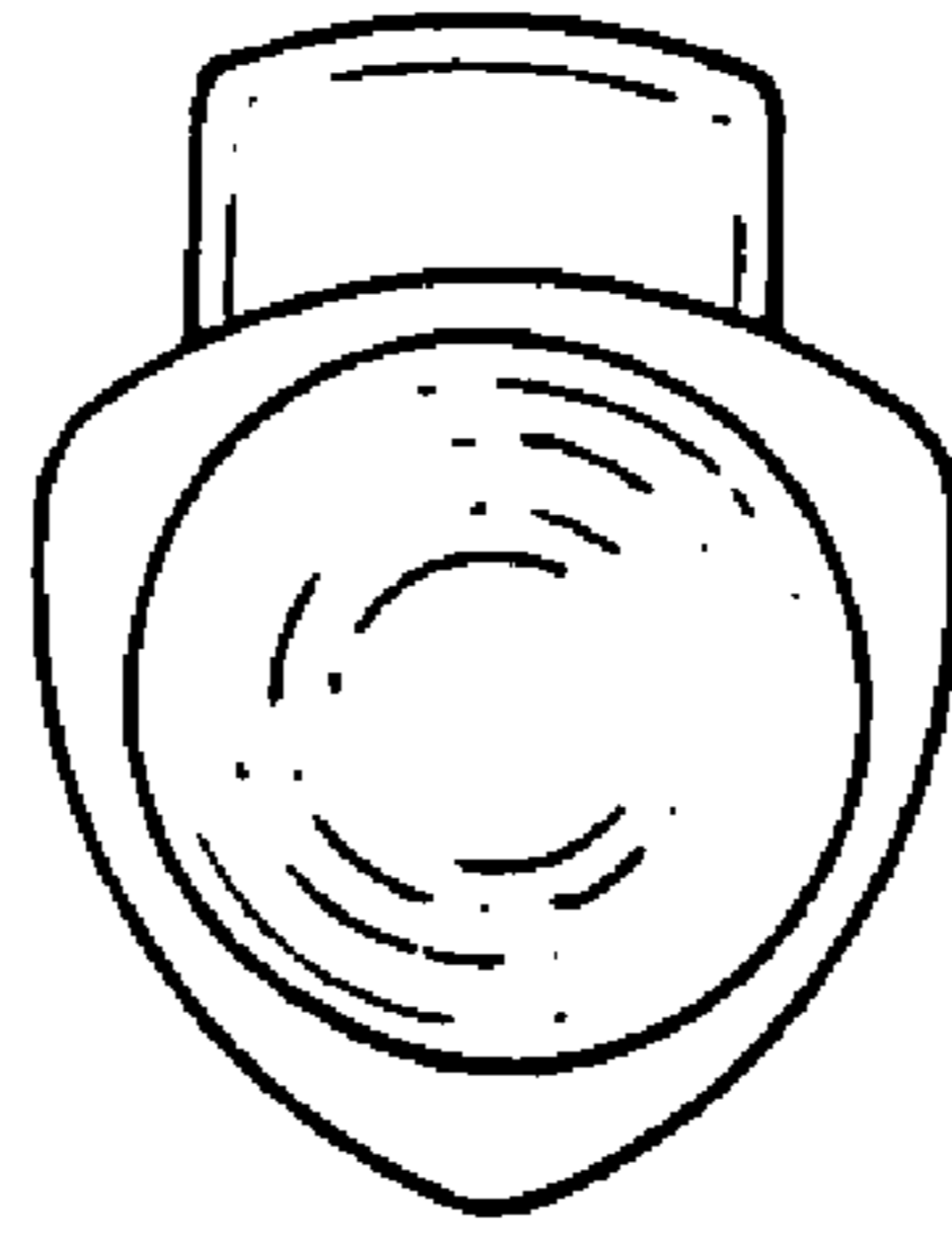


FIG. 2

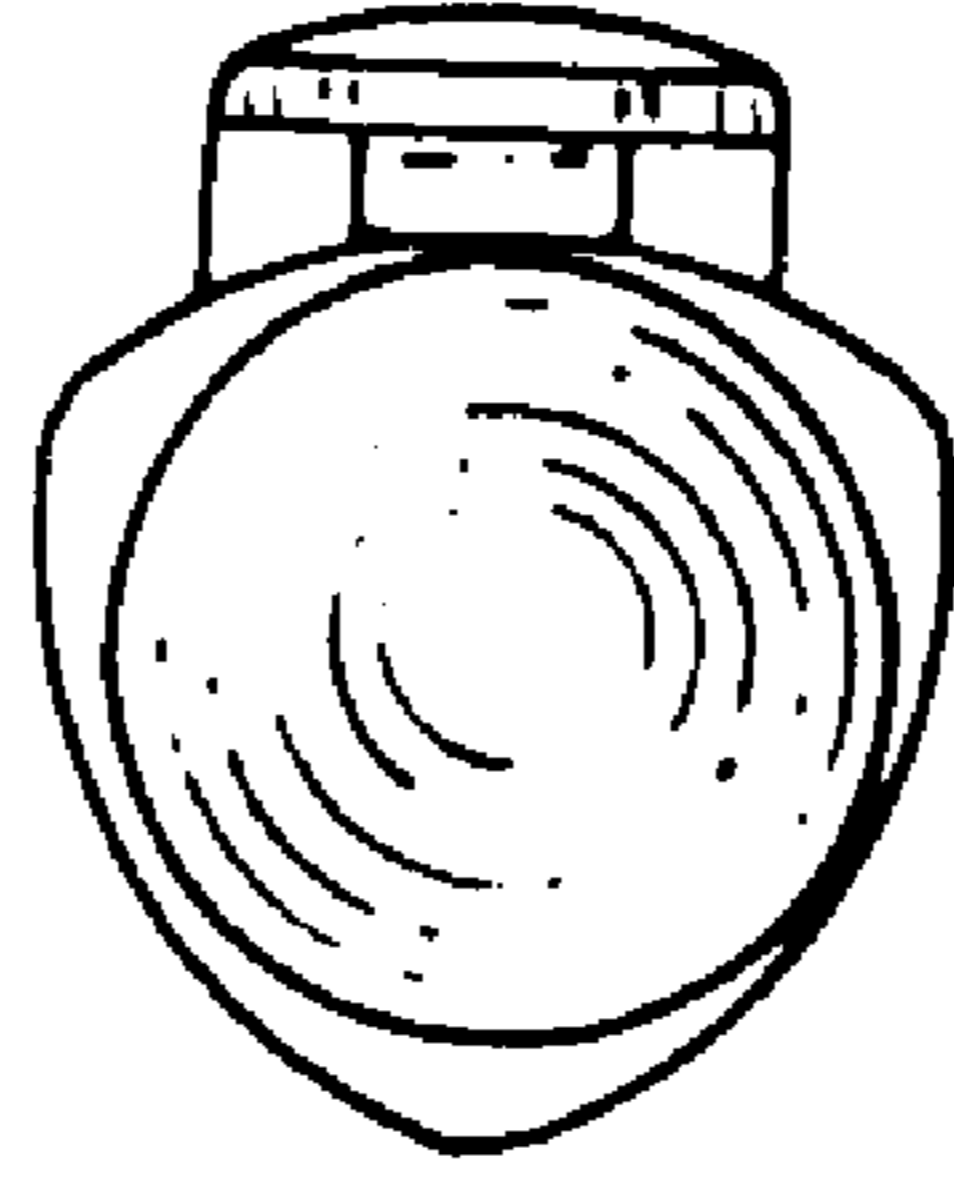


FIG. 3

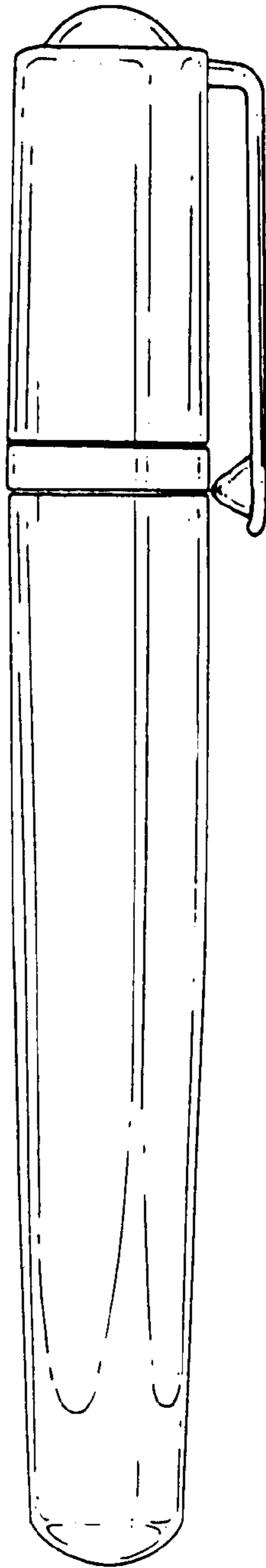


FIG. 4

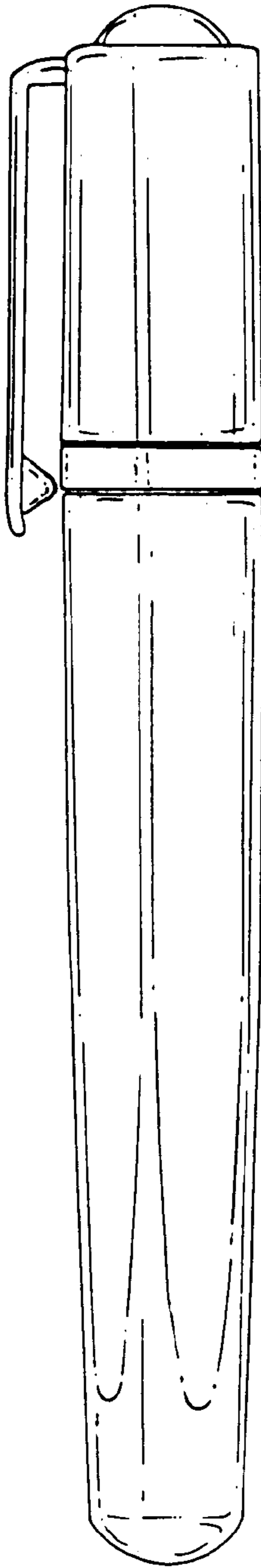


FIG. 5

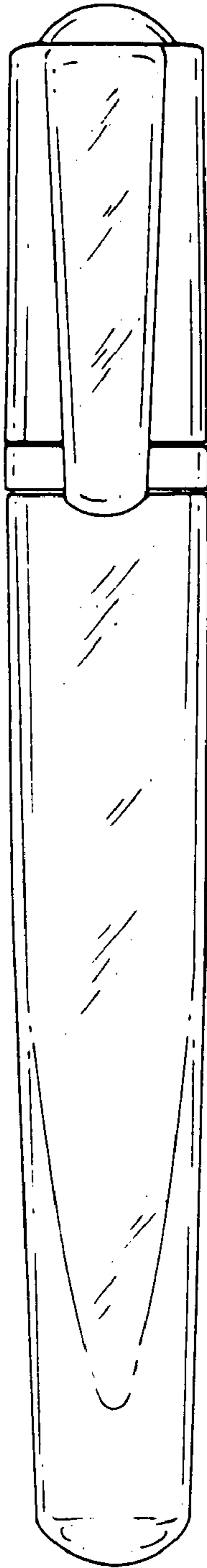


FIG. 6

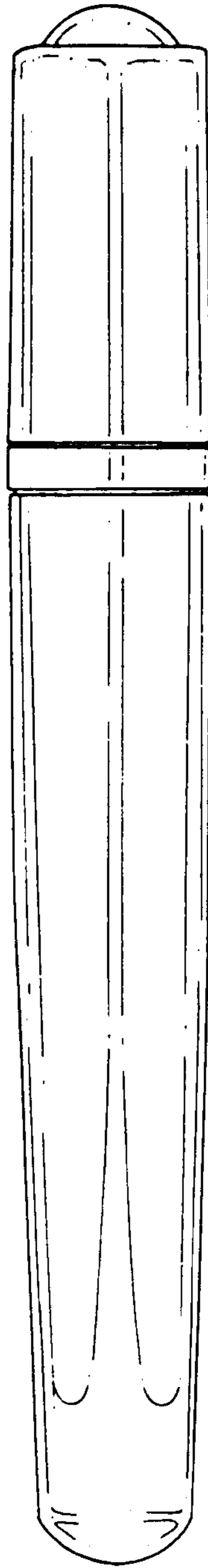


FIG. 7