



US00D479853S

(12) **United States Design Patent**
Hwang et al.

(10) **Patent No.:** **US D479,853 S**

(45) **Date of Patent:** **** Sep. 23, 2003**

(54) **INKJET CARTRIDGE HUMIDOR**

(75) Inventors: **Peter G. Hwang**, Vancouver, WA (US);
Kevin Lo, Vancouver, WA (US)

(73) Assignee: **Hewlett-Packard Development Company, L.P.**, Houston, TX (US)

(**) Term: **14 Years**

(21) Appl. No.: **29/160,417**

(22) Filed: **May 8, 2002**

(51) **LOC (7) Cl.** **18-02**

(52) **U.S. Cl.** **D18/56; D3/201; D19/65**

(58) **Field of Search** **D18/56; 347/86, 347/87; D27/186, 189, 190; D9/415, 414, 418, 423; 131/241, 242, 257; 206/756, 763, 765, 38, 371, 446, 486; D3/201, 206, 273**

(56) **References Cited**

U.S. PATENT DOCUMENTS

D105,121 S	*	6/1937	Mautner	206/765
D107,014 S	*	11/1937	Guttman	206/765
D136,575 S	*	10/1943	Testi	D27/189
5,069,361 A	*	12/1991	Jeffway, Jr. et al.	206/371
D347,169 S	*	5/1994	Bezzarides et al.	D9/415
D378,246 S	*	3/1997	Nakazawa et al.	D3/273
D397,826 S	*	9/1998	McDiarmid	D27/189
D430,018 S	*	8/2000	Snider et al.	D9/415

D433,328 S	*	11/2000	Loughnane	D9/414
6,142,602 A	*	11/2000	Tanaka	347/86
D434,979 S	*	12/2000	Liu	D9/415
6,264,317 B1	*	7/2001	Raulinaitis et al.	347/86
D455,074 S	*	4/2002	Au	D9/415
6,474,342 B1	*	11/2002	Rennecamp	D27/186
6,520,334 B1	*	2/2003	Hoover	206/38

OTHER PUBLICATIONS

Auto Refil Ink Injection & Decompression Devise; 1997; from www.aaddn.com/auto.htm.*

Korea Resources Enrg. Co., Ltd. (KRE); Refill Kit for Ink Cartridges; Dec. 2000.*

* cited by examiner

Primary Examiner—Cathy Anne MacCormac

(57) **CLAIM**

An ornamental design for an inkjet cartridge humidor, substantially as shown and described.

DESCRIPTION

FIG. 1 is a perspective view of an inkjet cartridge humidor; FIG. 2 is a front view thereof;

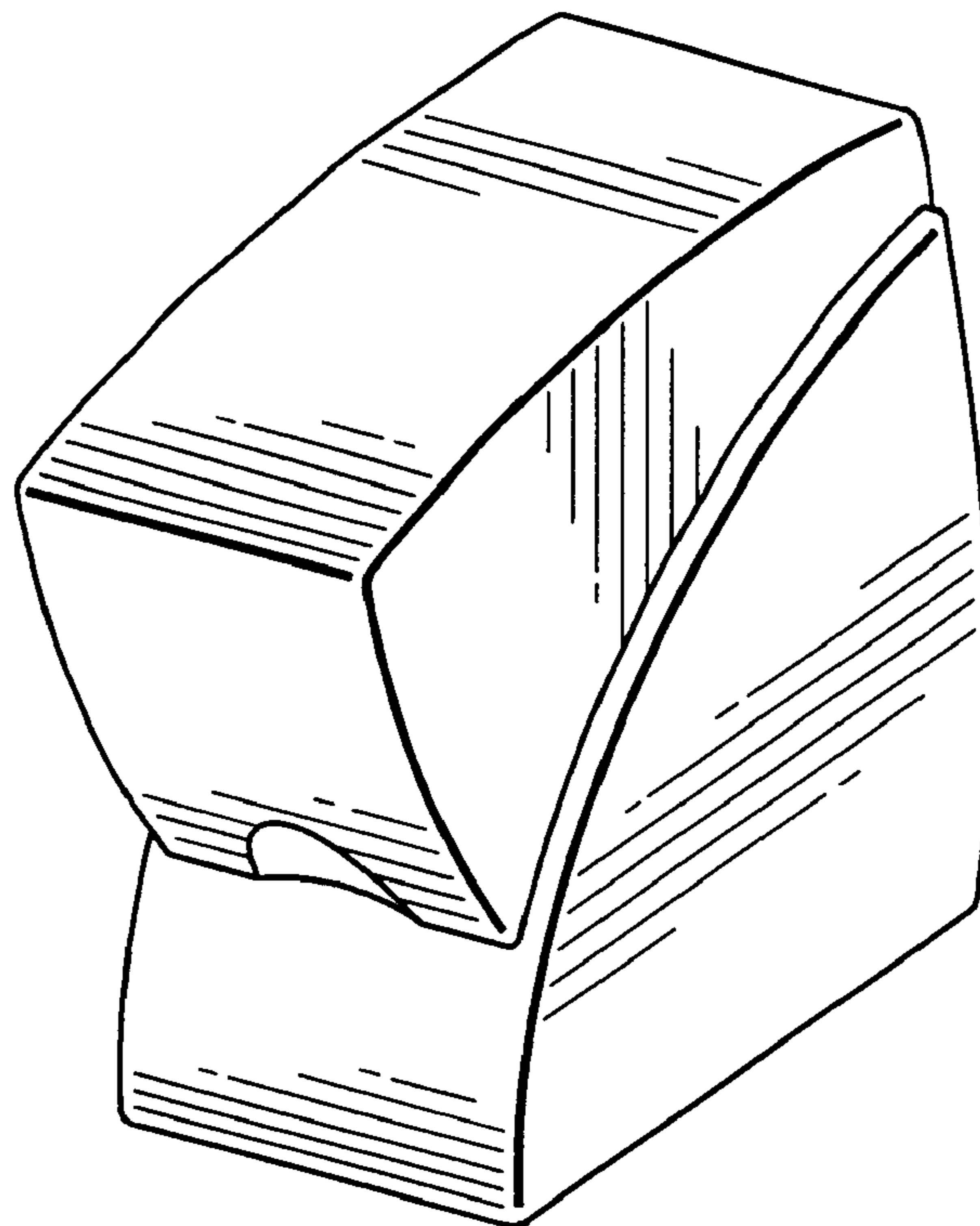
FIG. 3 is a rear view thereof;

FIG. 4 is a top view thereof;

FIG. 5 is a right view thereof, the left side being a mirror image; and,

FIG. 6 is a bottom view thereof.

1 Claim, 2 Drawing Sheets



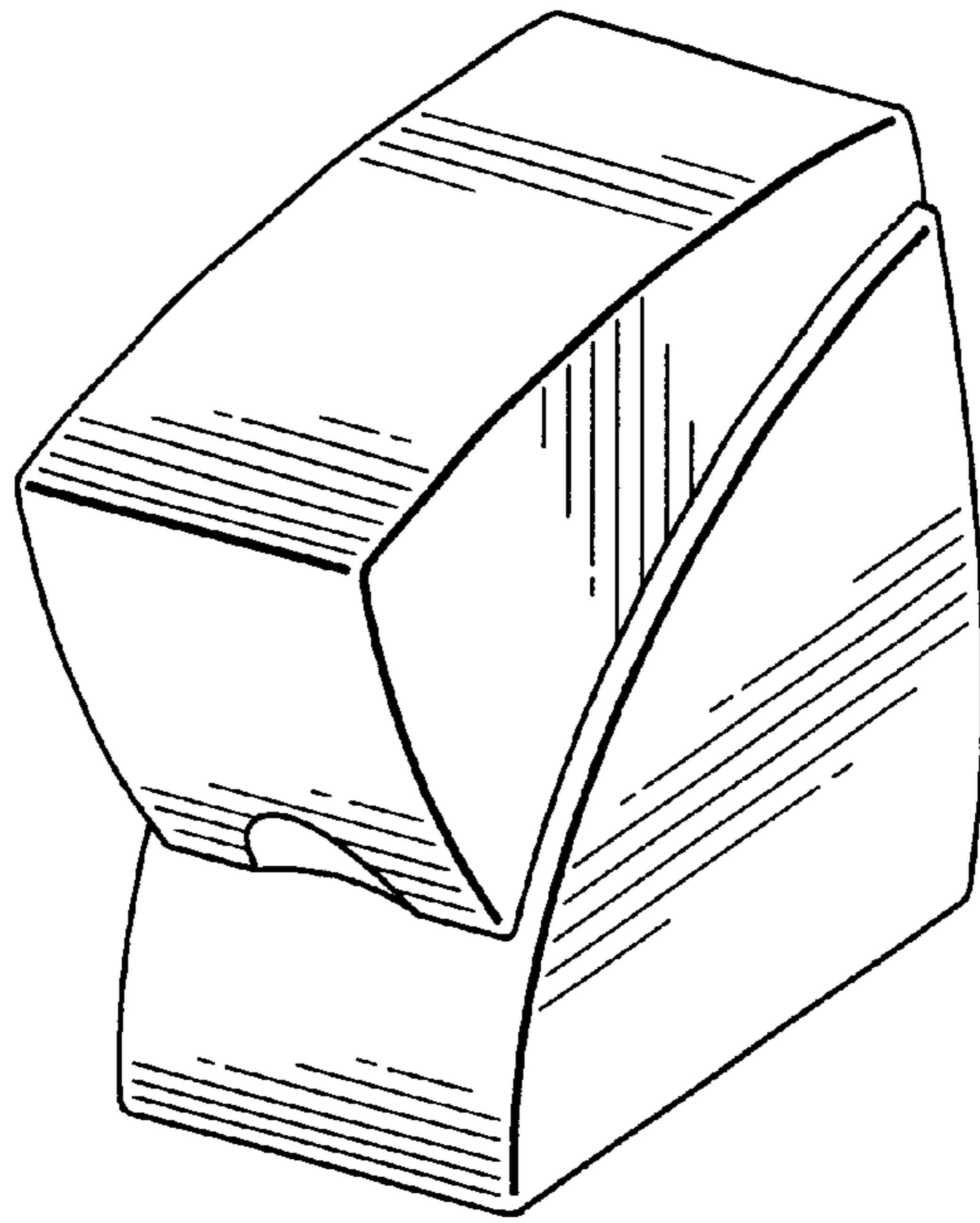


FIG. 1

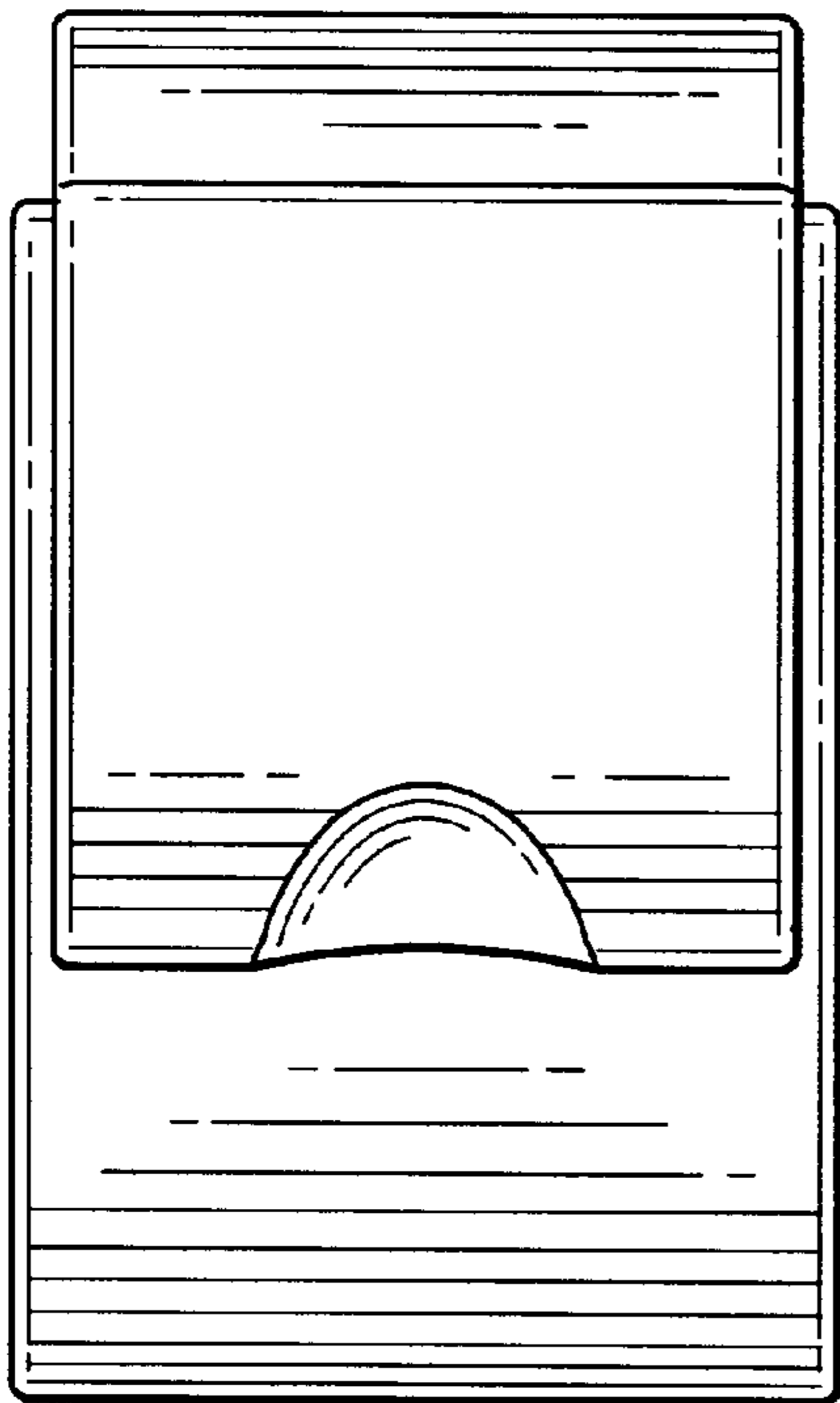


FIG. 2

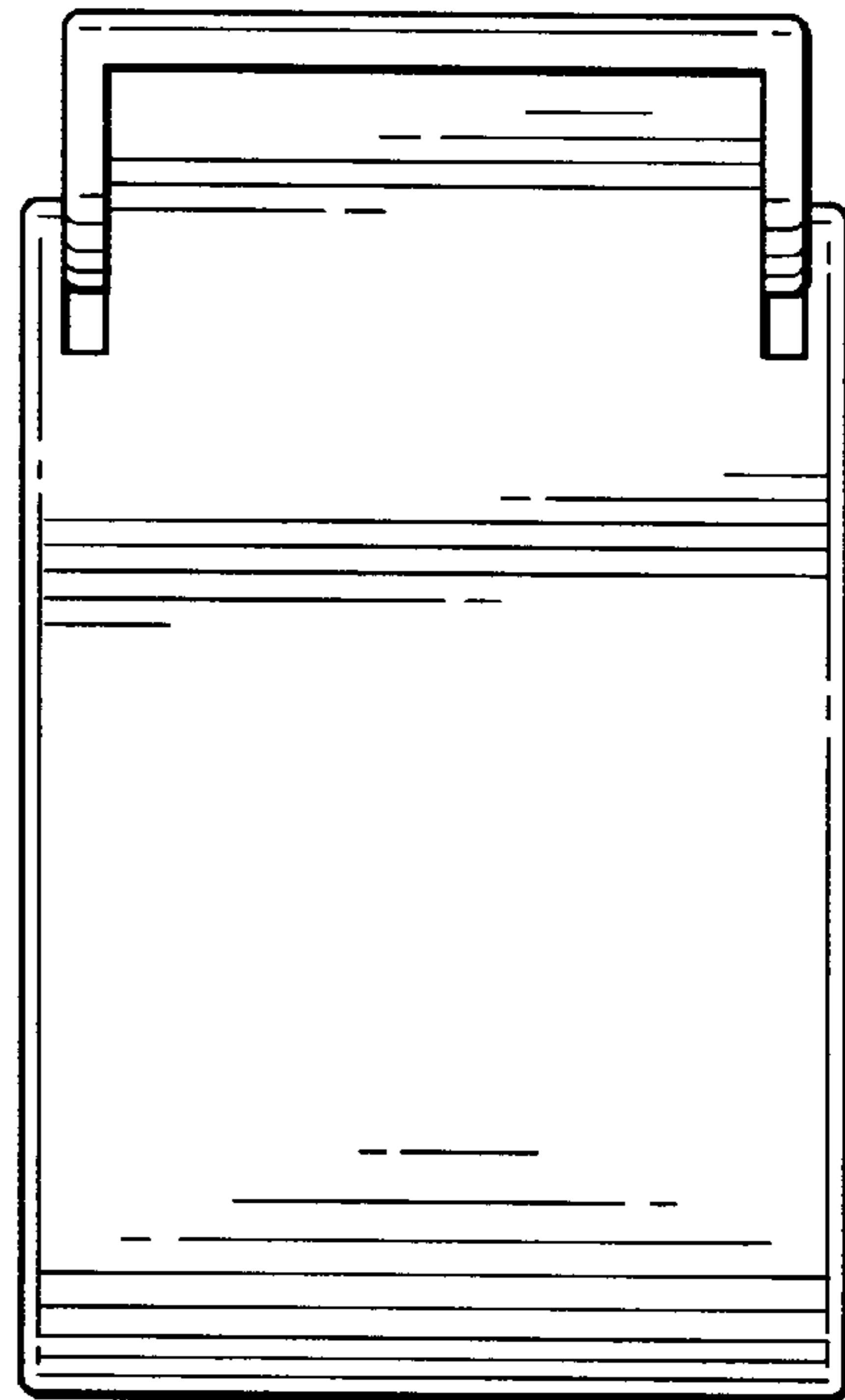


FIG. 3

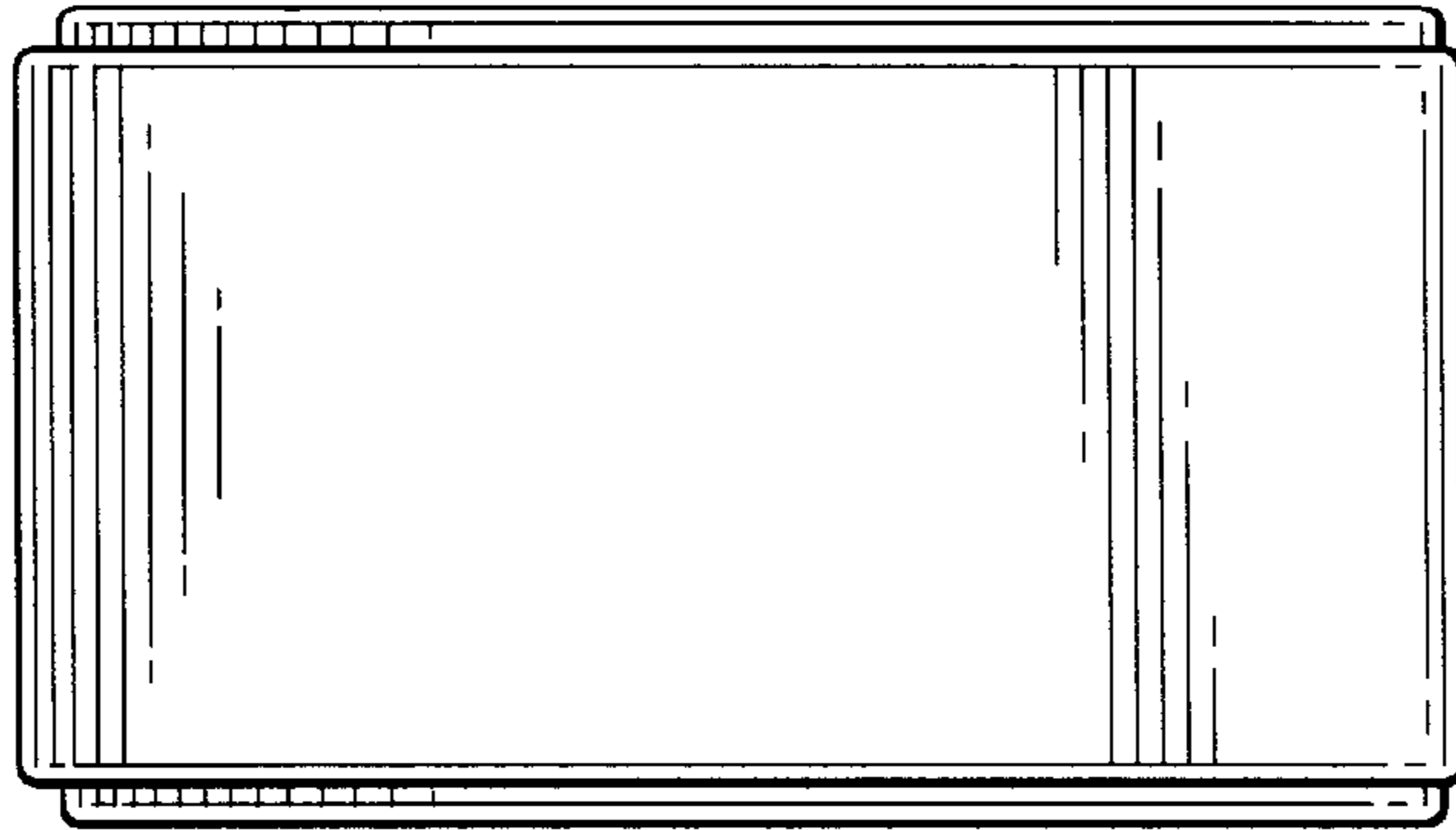


FIG. 4

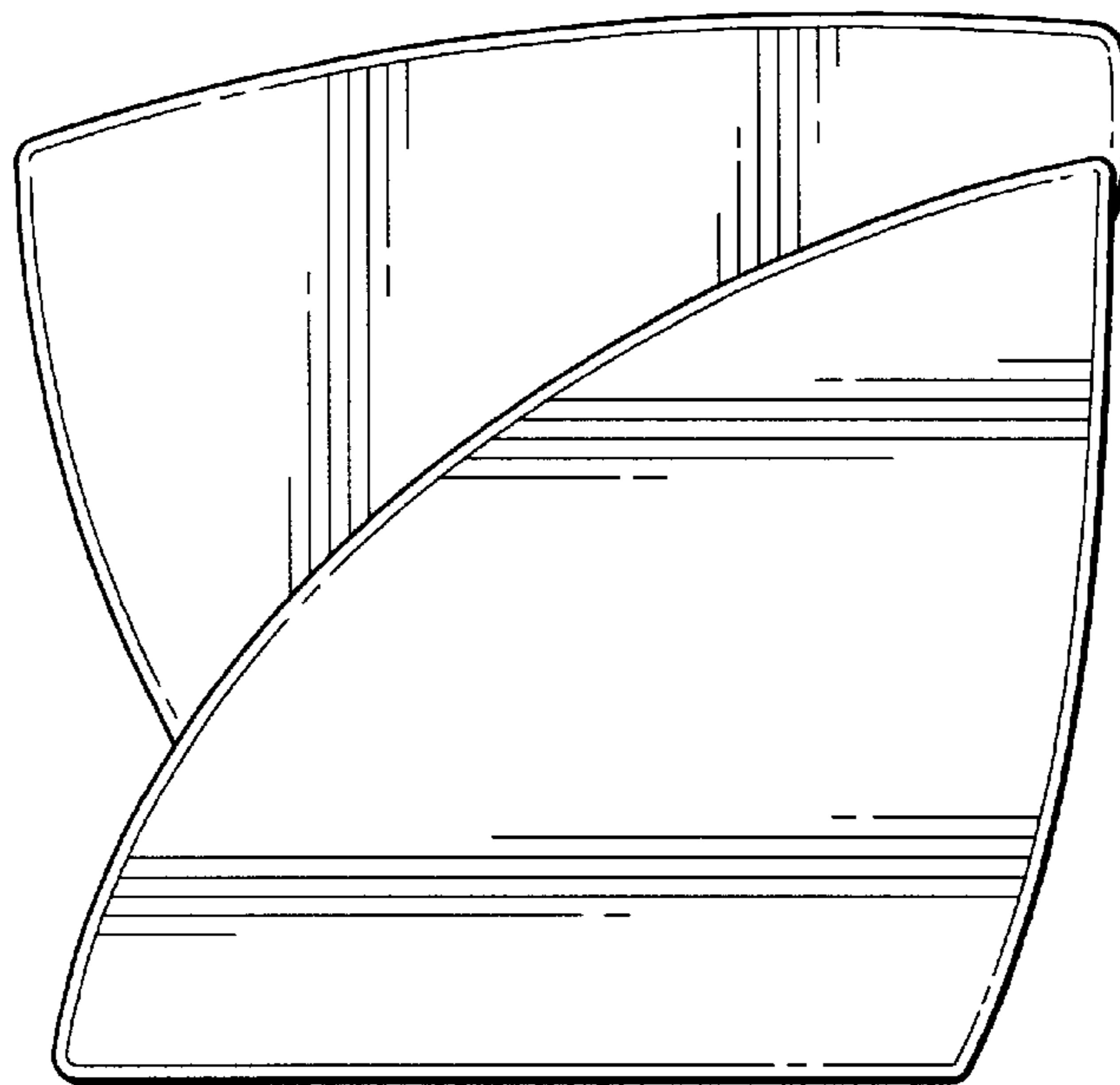


FIG. 5

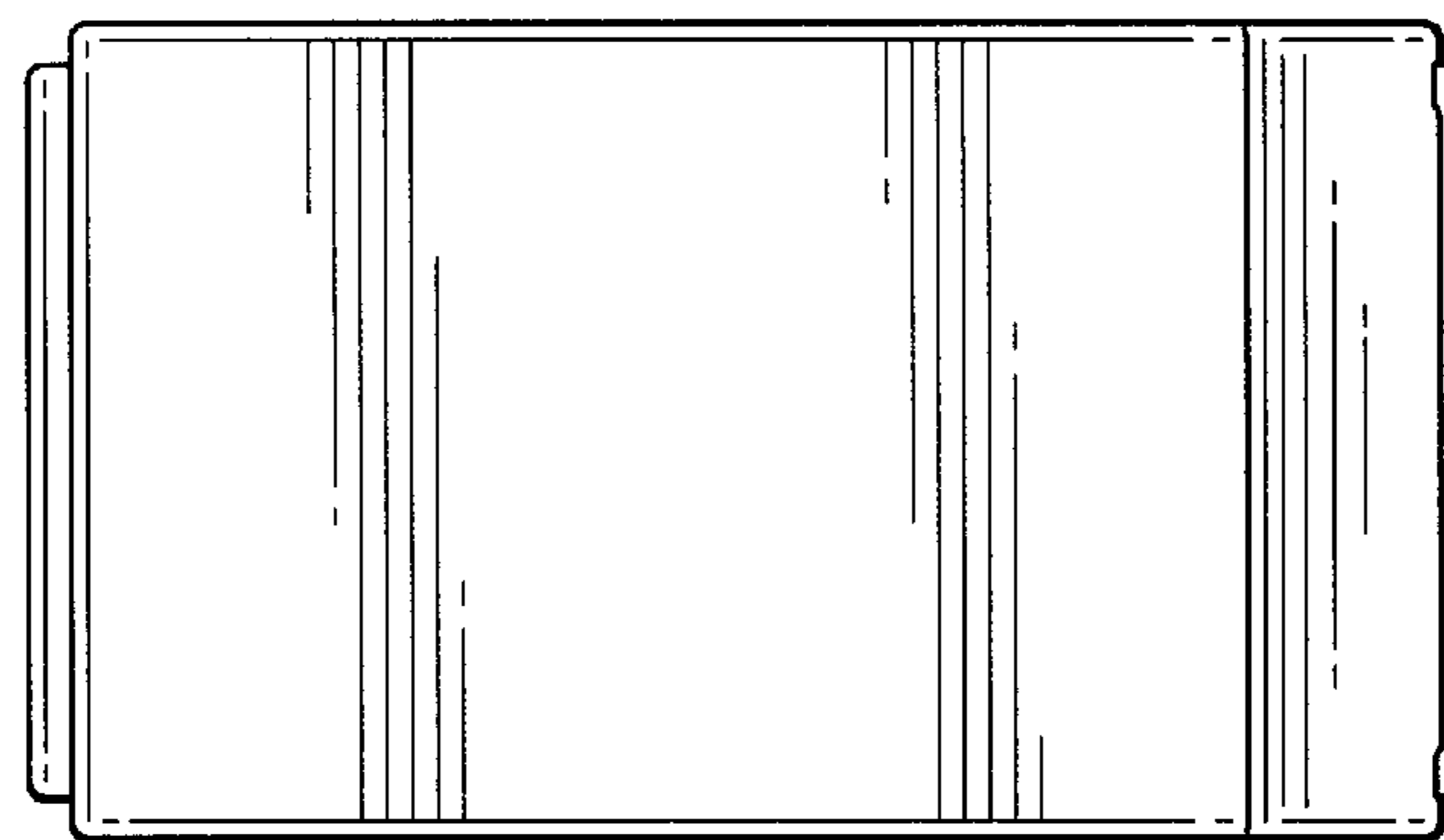


FIG. 6