



US00D479850S

(12) **United States Design Patent**
Zuang

(10) **Patent No.:** **US D479,850 S**

(45) **Date of Patent:** **** Sep. 23, 2003**

(54) **DIGITAL CAMERA**

(75) Inventor: **Dueng-Ming Zuang**, Taipei (TW)

(73) Assignee: **Inventec Multimedia & Telecom Corp.**, Taipei (TW)

(**) Term: **14 Years**

(21) Appl. No.: **29/169,185**

(22) Filed: **Oct. 17, 2002**

(30) **Foreign Application Priority Data**

Aug. 15, 2002 (TW) 91304459

(51) **LOC (7) Cl.** **16-01**

(52) **U.S. Cl.** **D16/202; D16/218**

(58) **Field of Search** **D16/200-205, D16/208, 218; 348/14.01-14.1, 373-376; 358/909.1; 396/535-541**

(56) **References Cited**

U.S. PATENT DOCUMENTS

D412,003 S * 7/1999 Sumida et al. D16/202
D445,441 S * 7/2001 Liu D16/202

6,323,902 B1 * 11/2001 Ishikawa 348/373

D464,365 S * 10/2002 Su D16/202

D464,664 S * 10/2002 Huang D16/202

D466,541 S * 12/2002 Yang et al. D16/218

D467,259 S * 12/2002 Hung et al. D16/218

* cited by examiner

Primary Examiner—Adir Aronovich

(74) *Attorney, Agent, or Firm*—Birch, Stewart, Kolasch & Birch, LLP

(57) **CLAIM**

The ornamental design for a digital camera, as shown and described.

DESCRIPTION

FIG. 1 is a perspective view of a digital camera showing my new design;

FIG. 2 is a right side elevational view thereof;

FIG. 3 is a top view thereof;

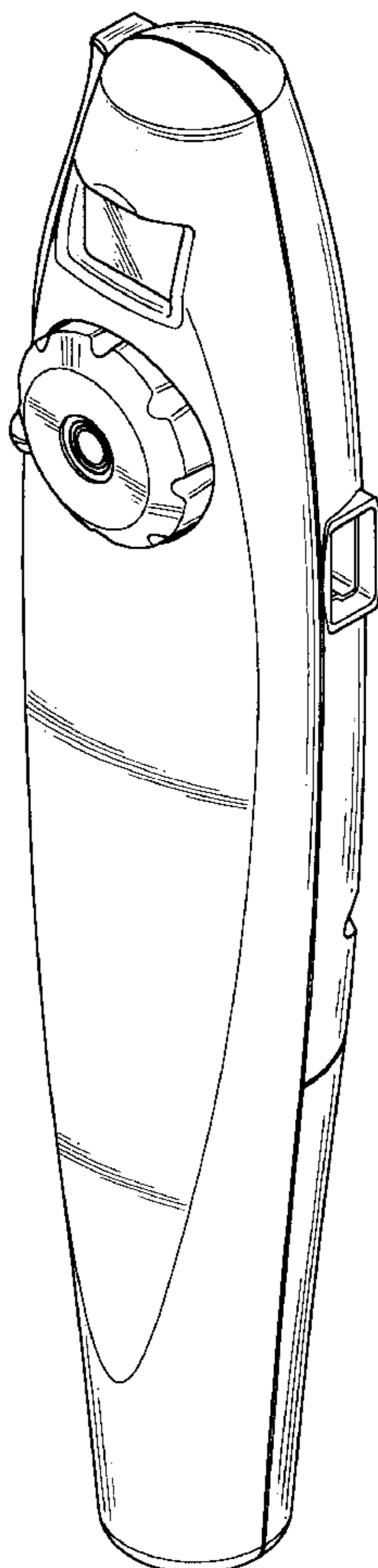
FIG. 4 is a front view thereof;

FIG. 5 is a bottom view thereof;

FIG. 6 is a left side elevational view thereof; and,

FIG. 7 is a rear view thereof.

1 Claim, 4 Drawing Sheets



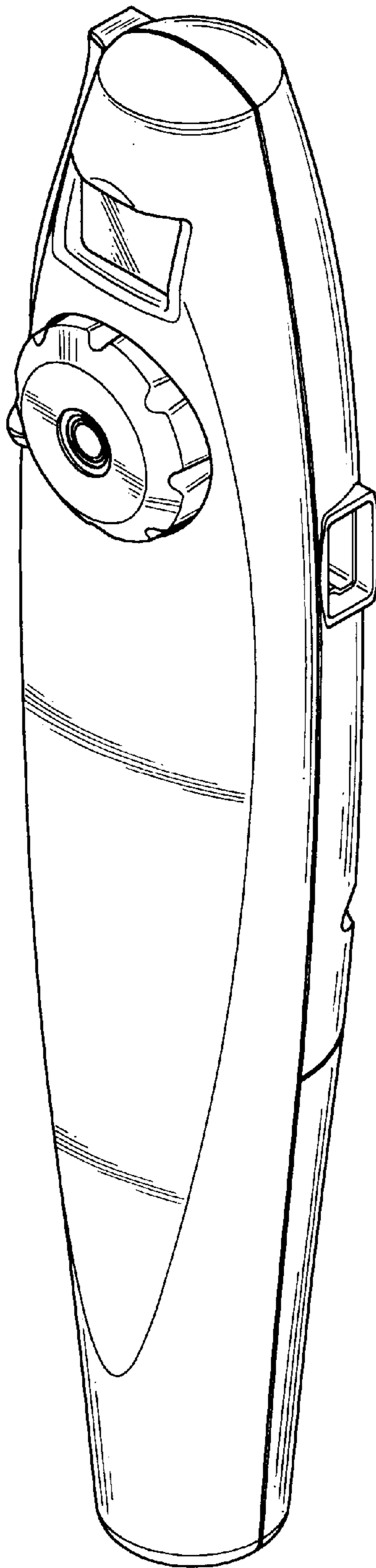


FIG. 1

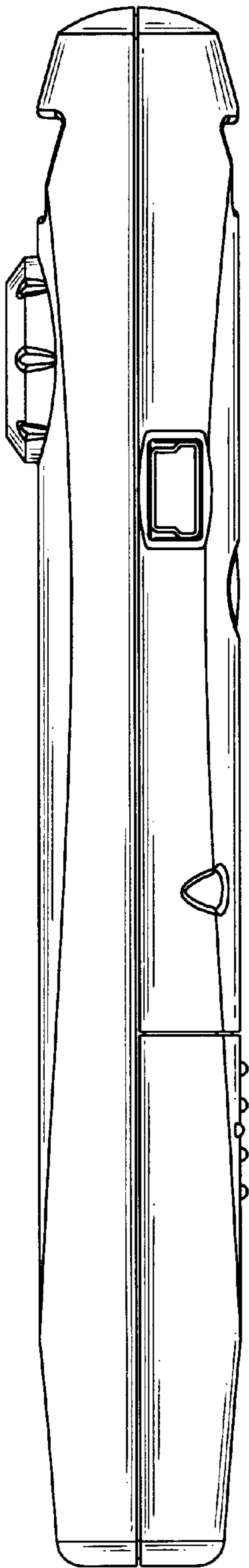


FIG. 2

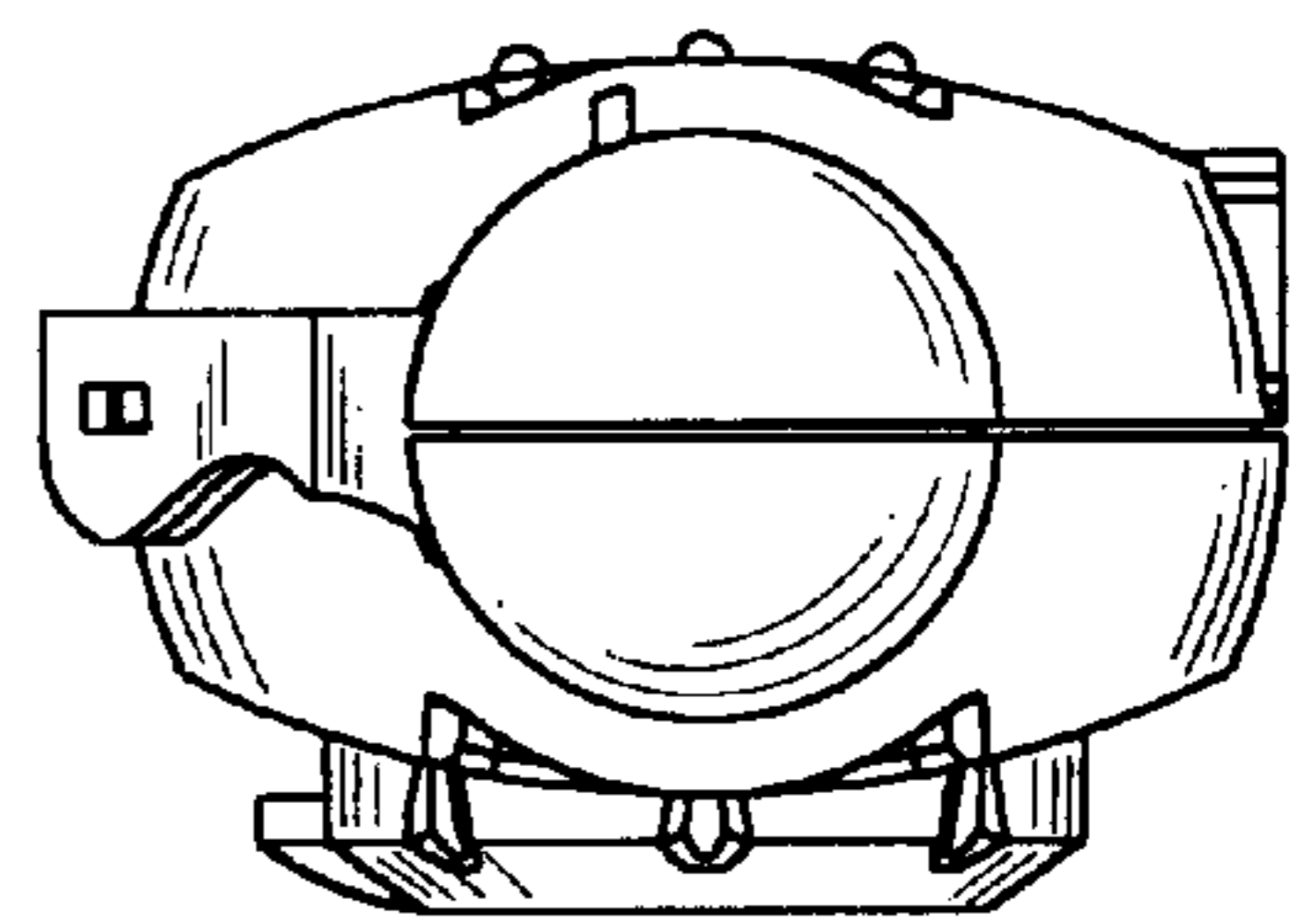


FIG. 3

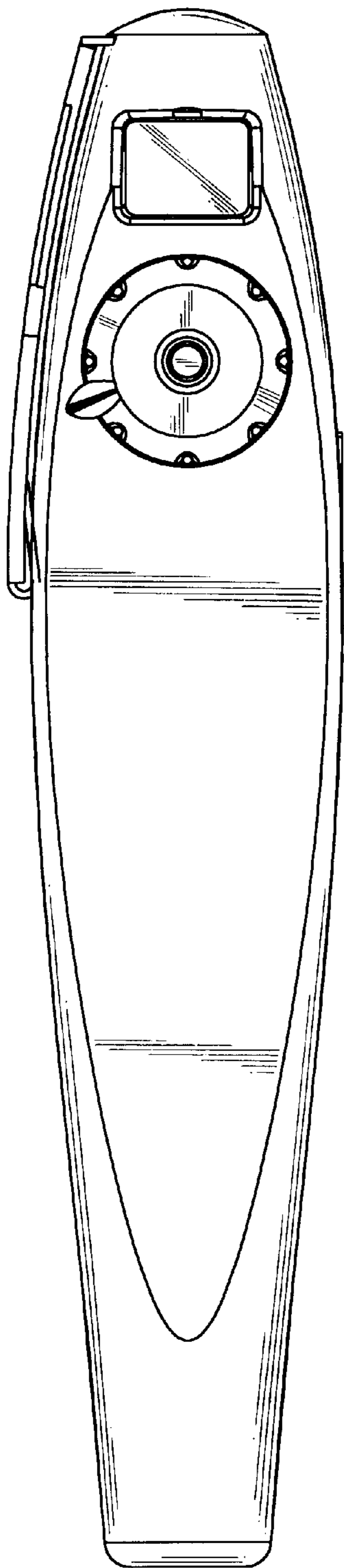


FIG. 4

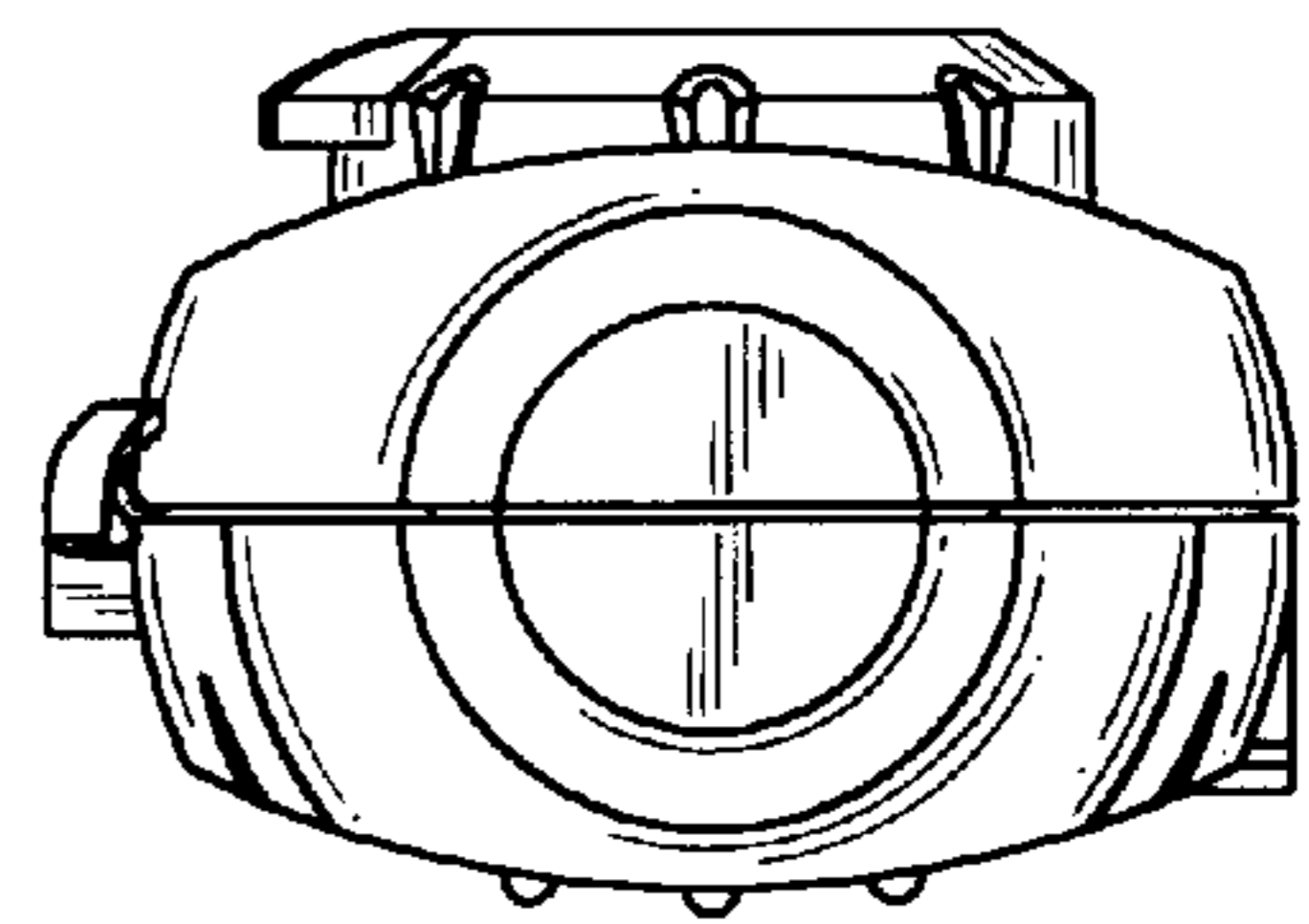


FIG. 5

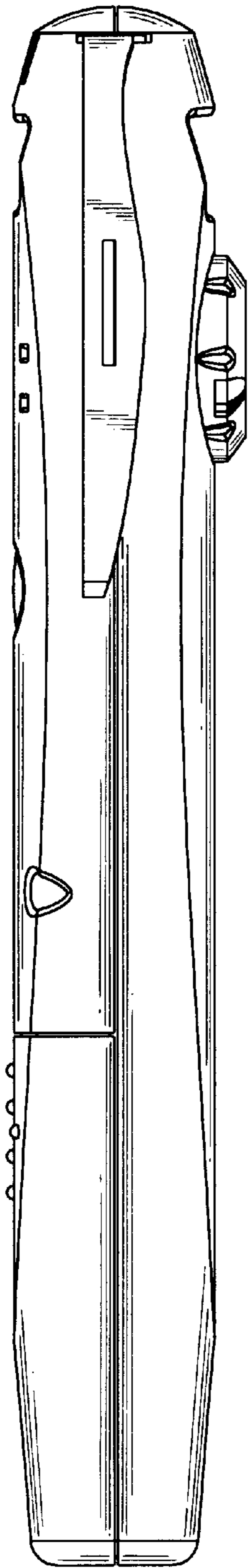


FIG. 6

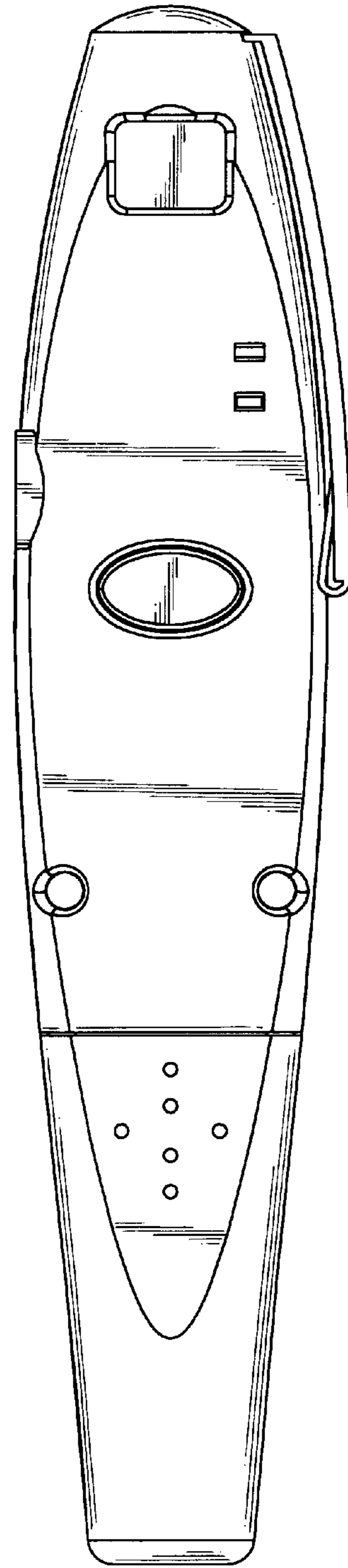


FIG. 7