



US00D479847S

(12) **United States Design Patent**  
**Wang**

(10) **Patent No.:** **US D479,847 S**

(45) **Date of Patent:** **\*\* Sep. 23, 2003**

(54) **AUDIO-VIDEO CONVERTER BOX**

(75) **Inventor:** **Cheng-Si Wang, Changhua Hsien (TW)**

(73) **Assignee:** **Trans Electric Co., Ltd., Changhua Hsien (TW)**

(\*\*) **Term:** **14 Years**

(21) **Appl. No.:** **29/174,123**

(22) **Filed:** **Jan. 13, 2003**

(51) **LOC (7) Cl. .... 14-03**

(52) **U.S. Cl. .... D14/496**

(58) **Field of Search .... D14/496, 125, D14/435, 217; D21/324, 332, 333; 273/148 B; 463/1, 29-35, 46, 47; 369/1, 2, 3, 83, 292, 178.01; 382/276, 305, 307, 313, 325, 309**

(56) **References Cited**

**U.S. PATENT DOCUMENTS**

5,218,462	A	*	6/1993	Kitamura et al. ....	382/313
5,754,713	A	*	5/1998	Deguchi et al. ....	382/313
6,157,435	A	*	12/2000	Slater et al. ....	382/305
D437,860	S	*	2/2001	Suzuki et al. ....	D14/496
6,194,697	B1	*	2/2001	Gardner, Jr. ....	369/178
D440,980	S	*	4/2001	Chung ....	D14/496

D451,102	S	*	11/2001	Huang .....	D14/496
D452,513	S	*	12/2001	Uehara .....	D14/496
D467,592	S	*	12/2002	Hussaini et al. ....	D14/496

\* cited by examiner

*Primary Examiner*—Prabhakar Deshmukh

(74) *Attorney, Agent, or Firm*—Rosenberg, Klein & Lee

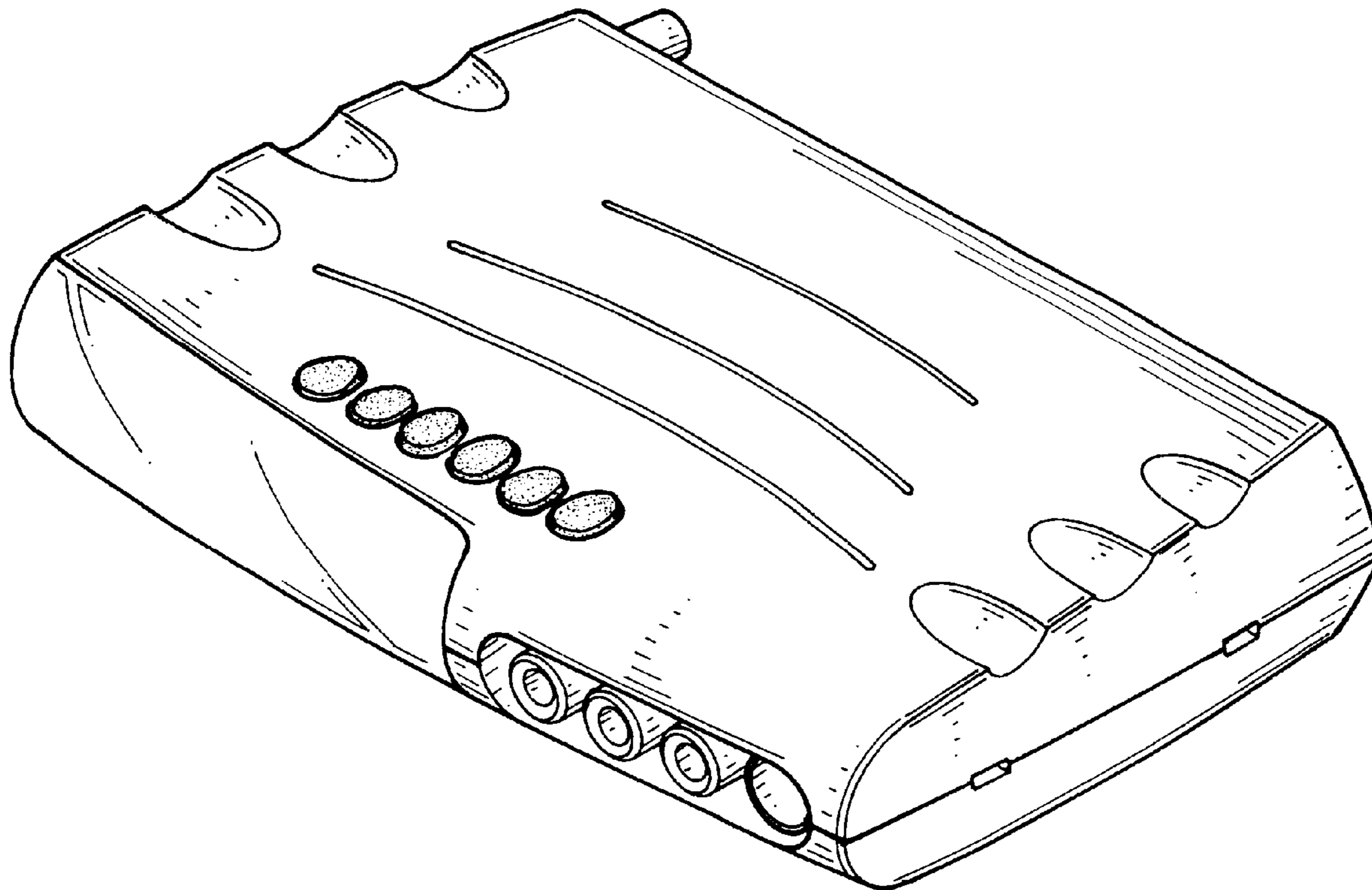
(57) **CLAIM**

The ornamental design for an audio-video converter box, as shown and described.

**DESCRIPTION**

FIG. 1 is a perspective view of an audio-video converter box, showing my new design;  
 FIG. 2 is a front elevational view thereof;  
 FIG. 3 is a rear elevational view thereof;  
 FIG. 4 is a left side elevational view thereof;  
 FIG. 5 is a right side elevational view thereof;  
 FIG. 6 is a top plan view thereof;  
 FIG. 7 is a bottom plan view thereof; and,  
 FIG. 8 is an operational perspective view thereof for reference showing the audio-video converter box mounted in a holder, wherein the broken lines are shown for illustrative purposes only and form no part of the claimed design.

**1 Claim, 5 Drawing Sheets**



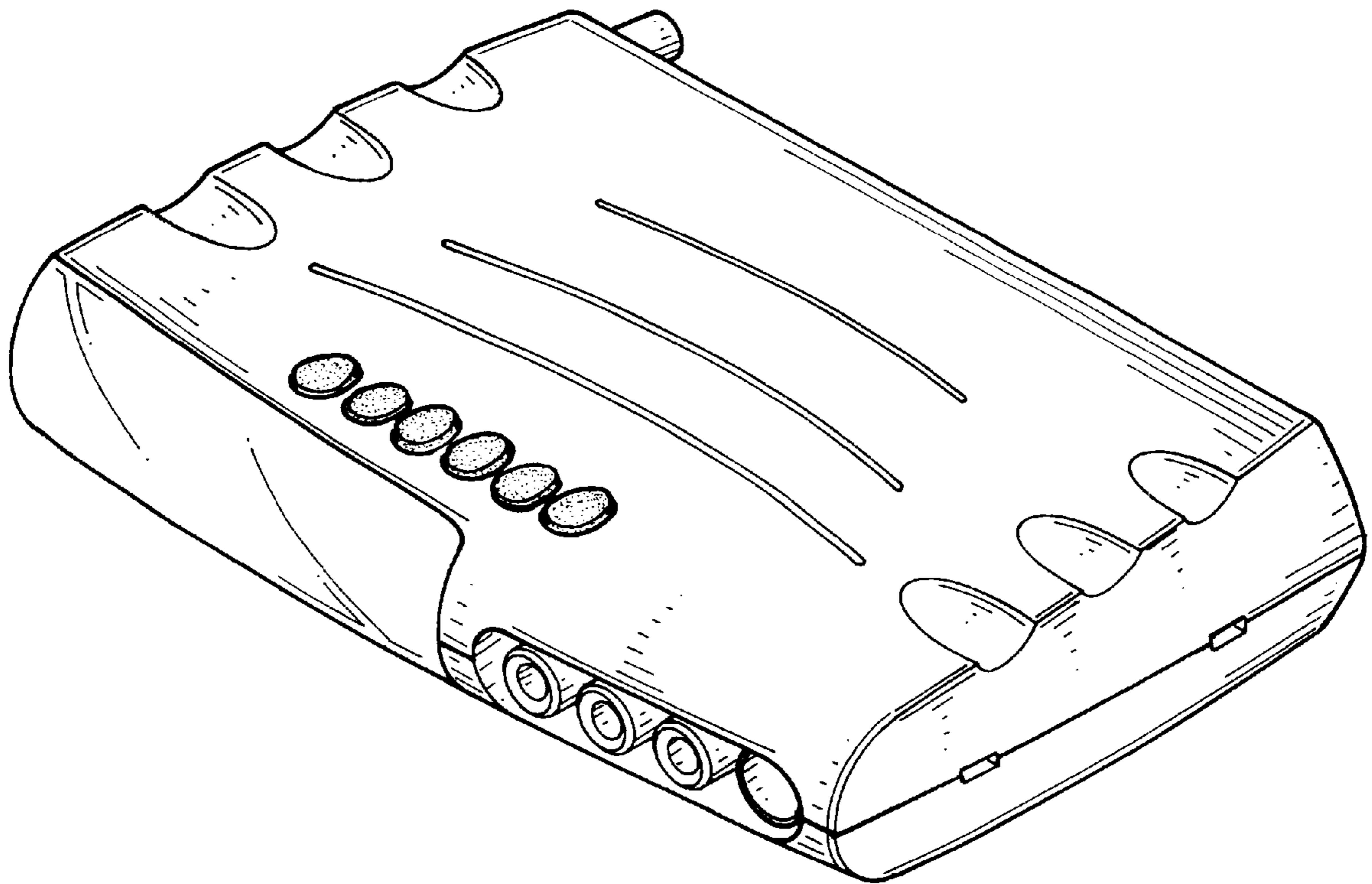


FIG. 1

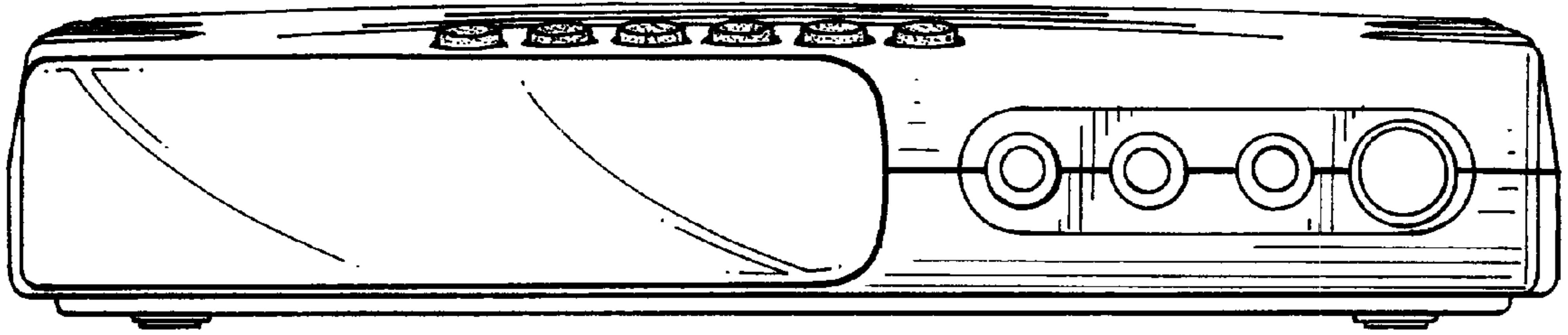


FIG. 2

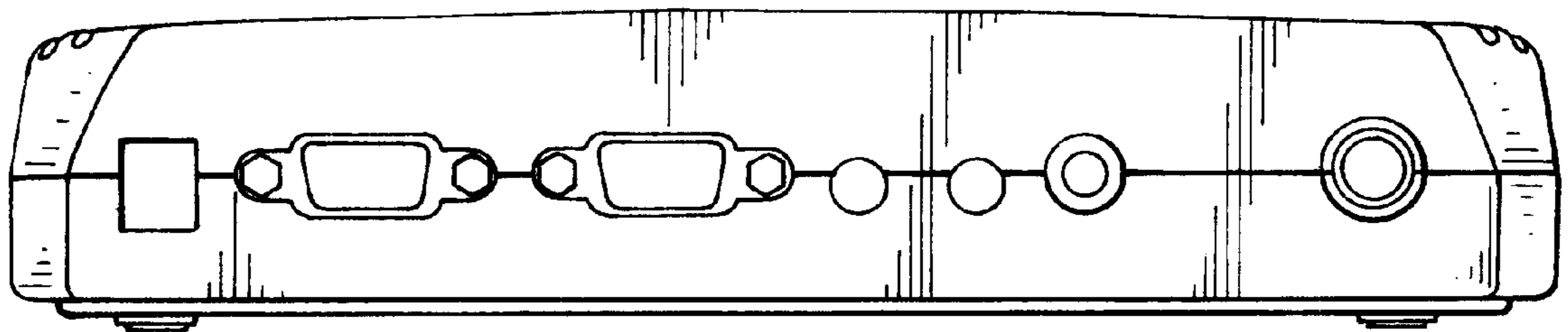


FIG. 3

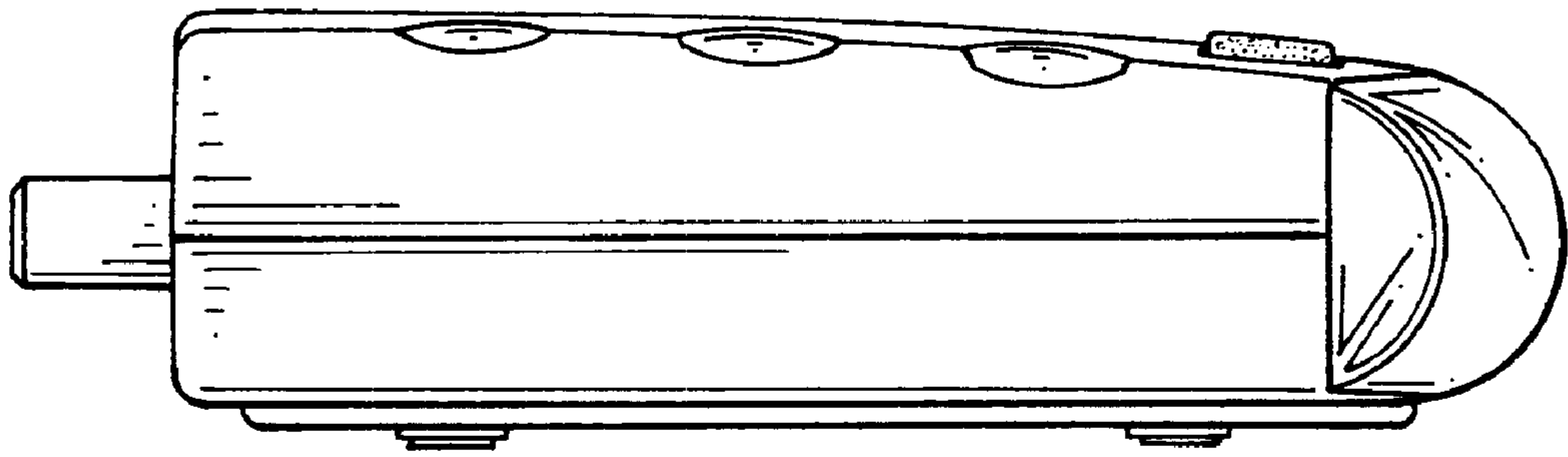


FIG. 4

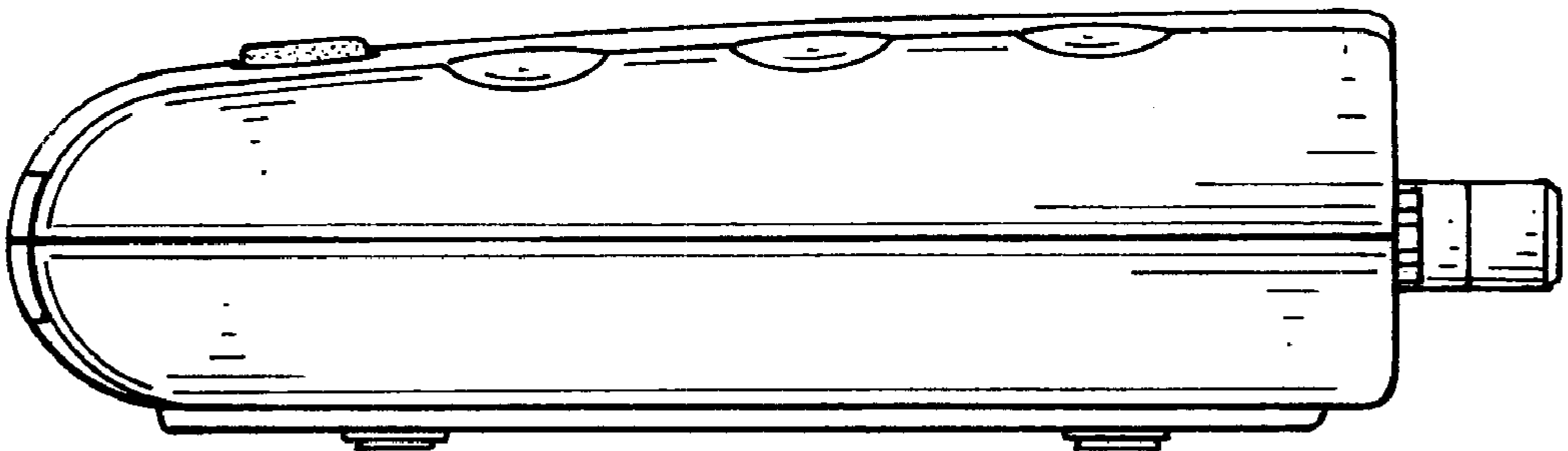


FIG. 5

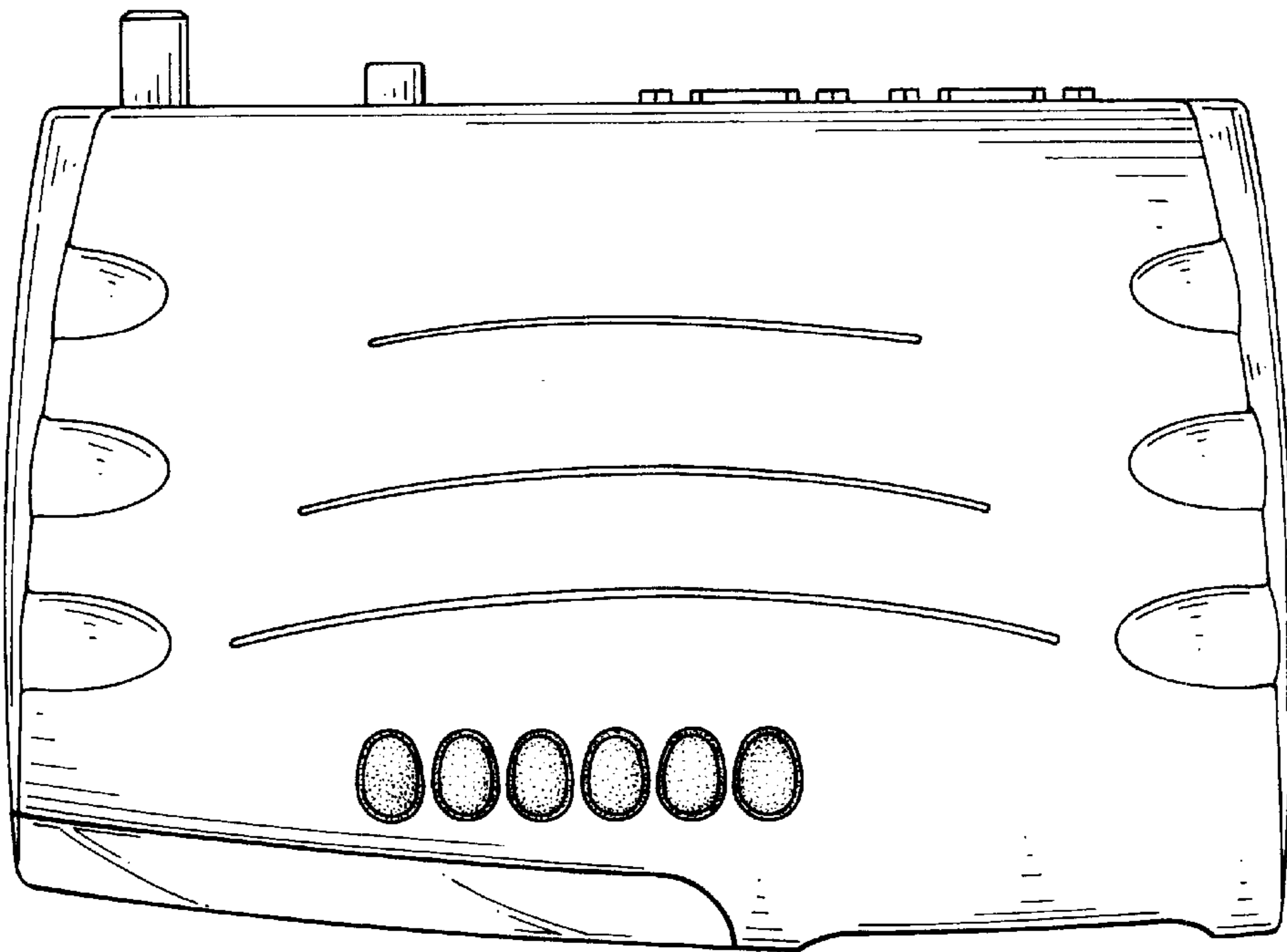


FIG. 6

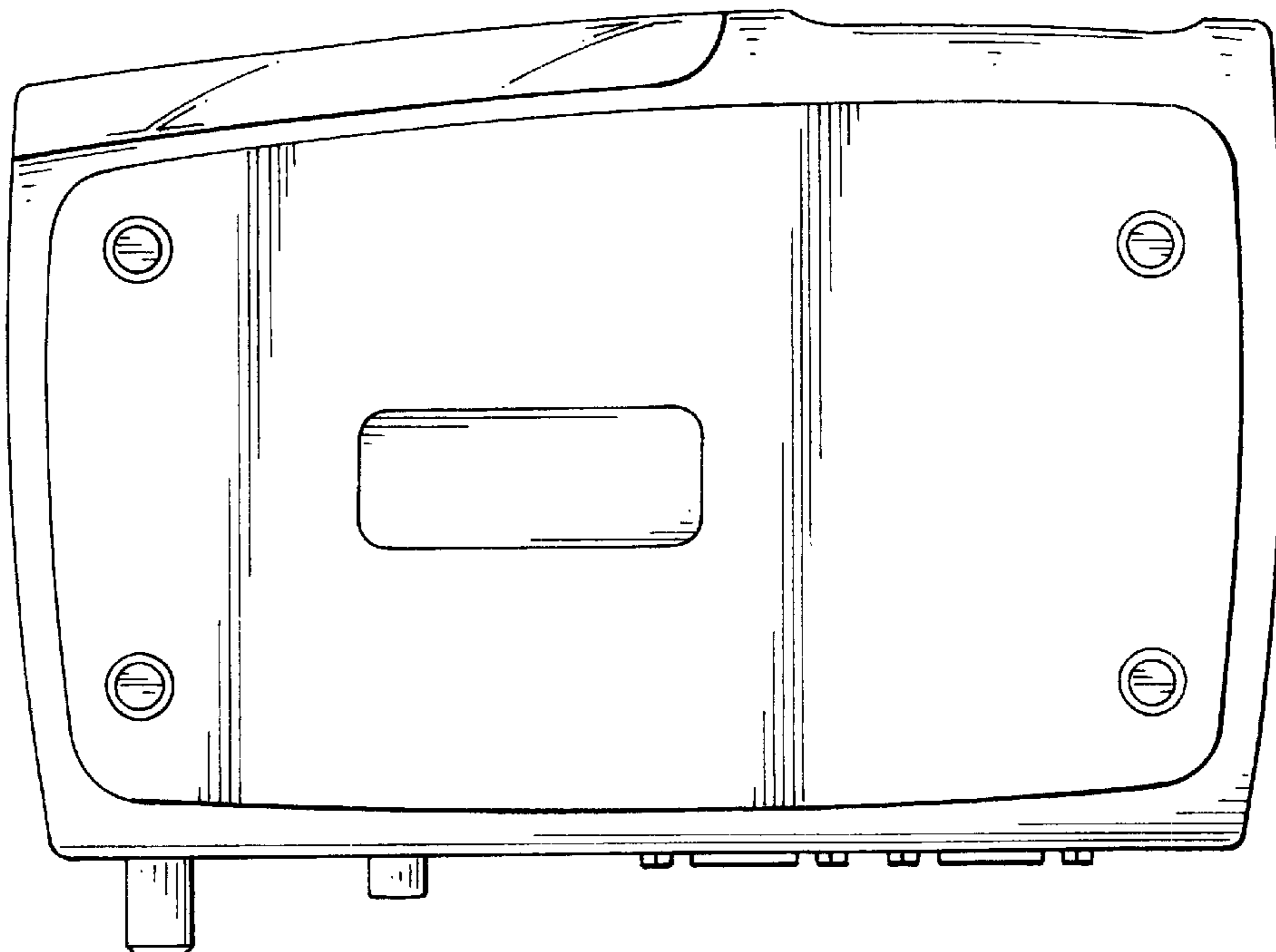


FIG. 7



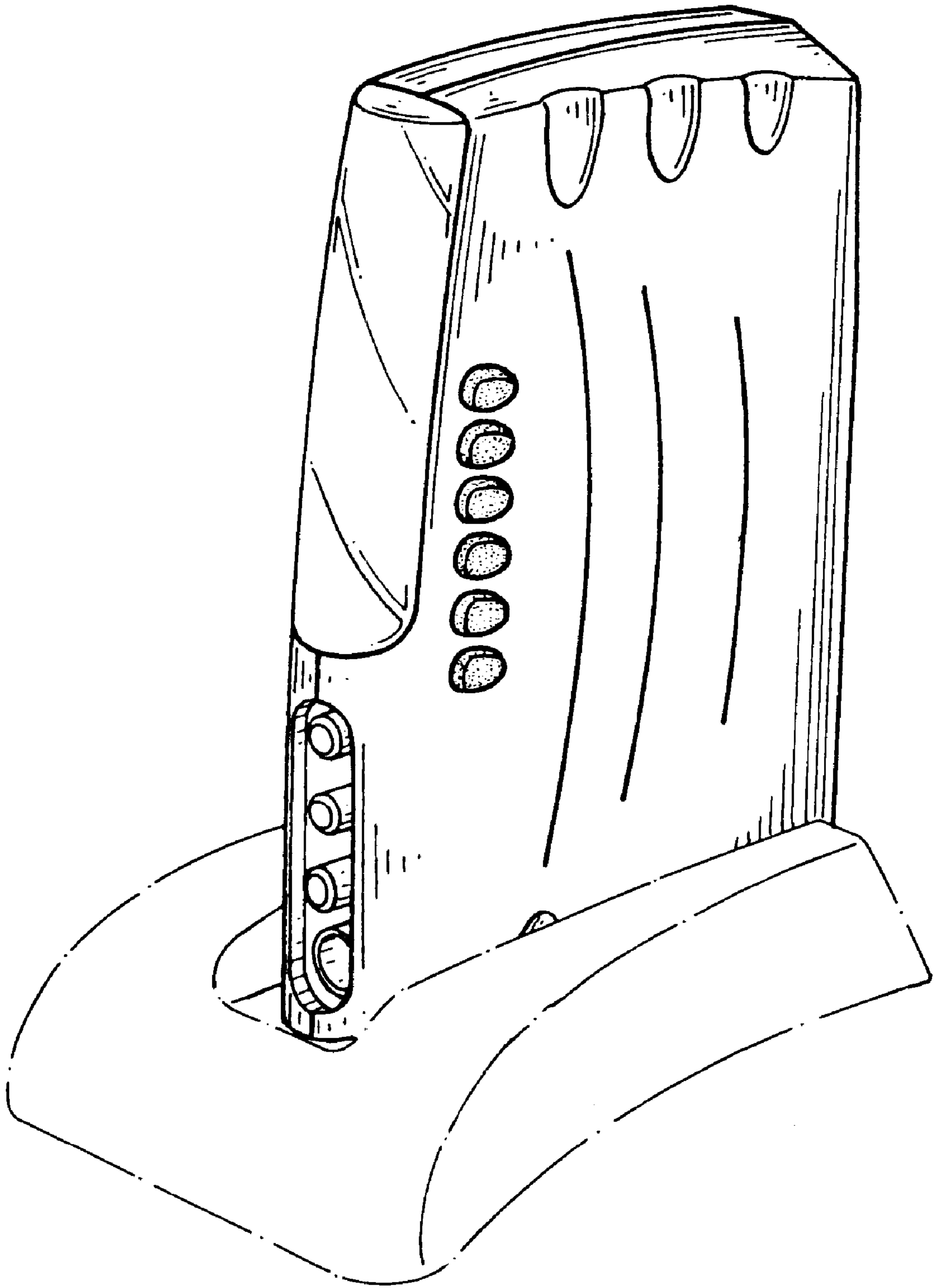


FIG. 8