



US00D479845S

(12) **United States Design Patent**  
**Taniguchi et al.**

(10) **Patent No.:** **US D479,845 S**

(45) **Date of Patent:** **\*\* Sep. 23, 2003**

(54) **IC CARD**

(75) Inventors: **Toshiyuki Taniguchi**, Tokyo (JP);  
**Kazuhiro Yamamoto**, Naka-gun (JP);  
**Minoru Ohara**, Tokyo (JP); **Takuya**  
**Takahashi**, Tokyo (JP)

(73) Assignees: **Kabushiki Kaisha Toshiba**, Tokyo  
(JP); **Fuji Photo Film Co., Ltd.**,  
Minamiashigara (JP); **Olympus Optical**  
**Co., Ltd.**, Tokyo (JP)

(\*\*) Term: **14 Years**

(21) Appl. No.: **29/165,835**

(22) Filed: **Aug. 19, 2002**

(30) **Foreign Application Priority Data**

Feb. 20, 2002 (JP) ..... 2002-004180

(51) **LOC (7) Cl.** ..... **14-02**

(52) **U.S. Cl.** ..... **D14/436**

(58) **Field of Search** ..... D14/435-438,  
D14/478-480; 361/737, 686, 736, 752;  
257/678, 679; 40/124.1; 282/75, 76, 901;  
235/487-495, 441-443, 325

(56) **References Cited**

**U.S. PATENT DOCUMENTS**

D369,157 S \* 4/1996 Ohmori et al. .... D14/436  
D387,747 S \* 12/1997 Ishihara ..... D14/436

D445,111 S \* 7/2001 Okamoto et al. .... D14/436  
D446,525 S \* 8/2001 Okamoto et al. .... D14/436  
2002/0170972 A1 \* 11/2002 Kim ..... 235/487

**FOREIGN PATENT DOCUMENTS**

JP 1021090 9/1998  
JP 1110756 6/2001

**OTHER PUBLICATIONS**

Extract of Hihon Shimbun (newspaper) showing a flash  
memory card, May 16, 2000, 1 page.

\* cited by examiner

*Primary Examiner*—Kay H. Chin

(74) *Attorney, Agent, or Firm*—Oblon, Spivak, McClelland,  
Maier & Neustadt, P.C.

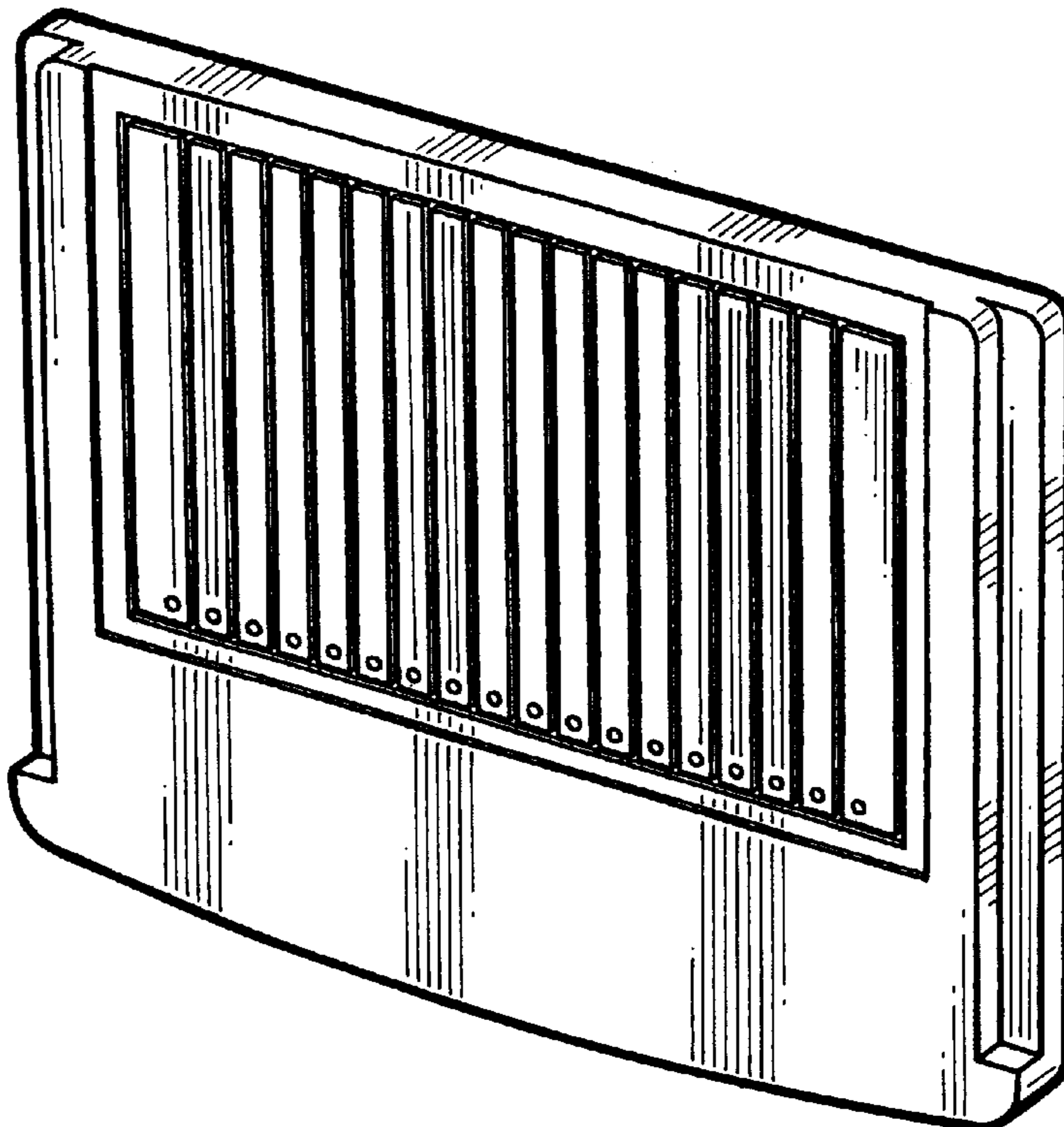
(57) **CLAIM**

The ornamental design for an IC card, as shown and  
described.

**DESCRIPTION**

FIG. 1 is a front, top and right side perspective view of an  
IC card, showing our new design;  
FIG. 2 is a top plan view thereof;  
FIG. 3 is a right side elevational view thereof; a left side  
elevational view being a mirror image thereof;  
FIG. 4 is a front elevational view thereof;  
FIG. 5 is a rear elevational view thereof; and,  
FIG. 6 is a bottom plan view thereof.

**1 Claim, 2 Drawing Sheets**



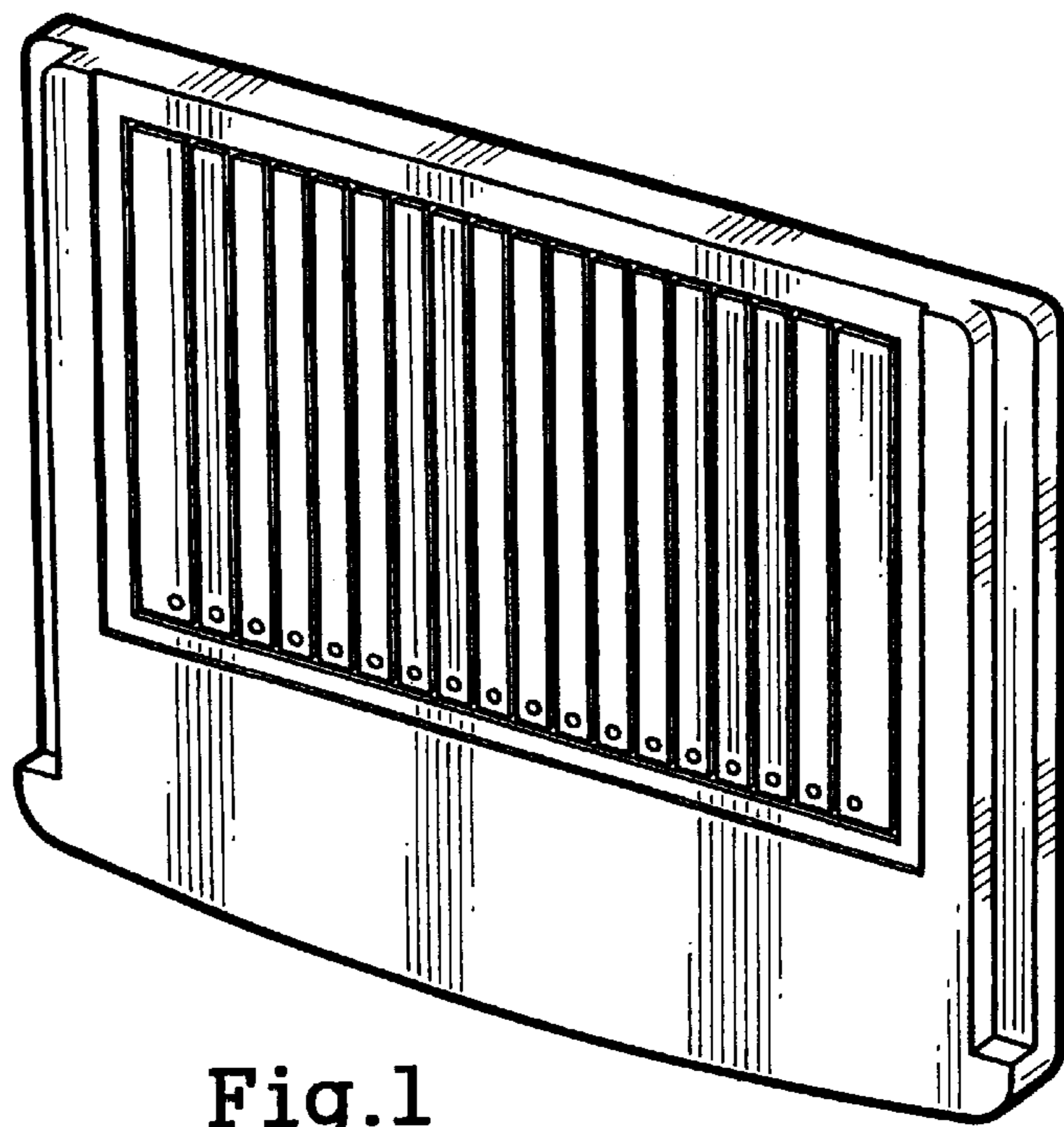


Fig.1



Fig.2

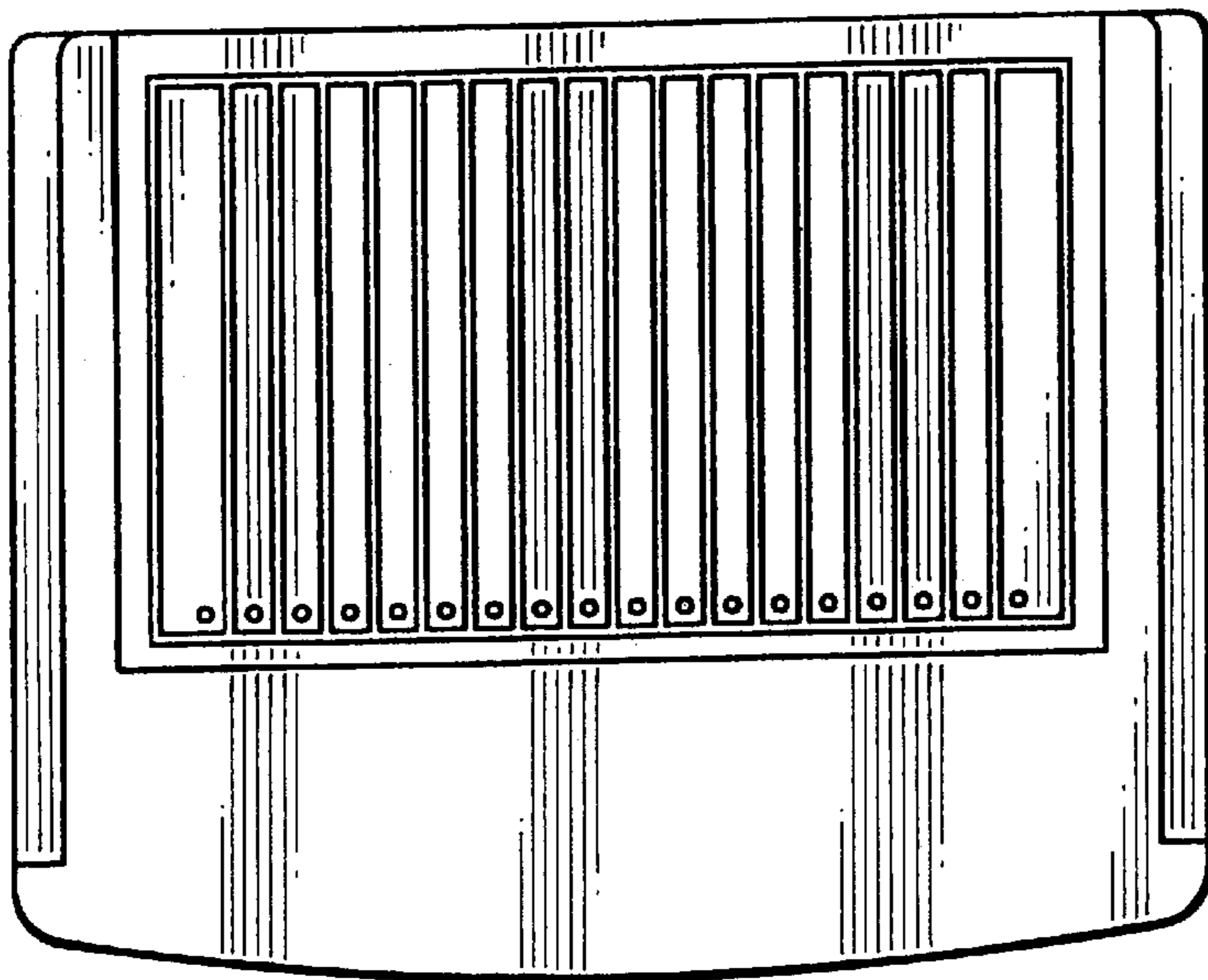
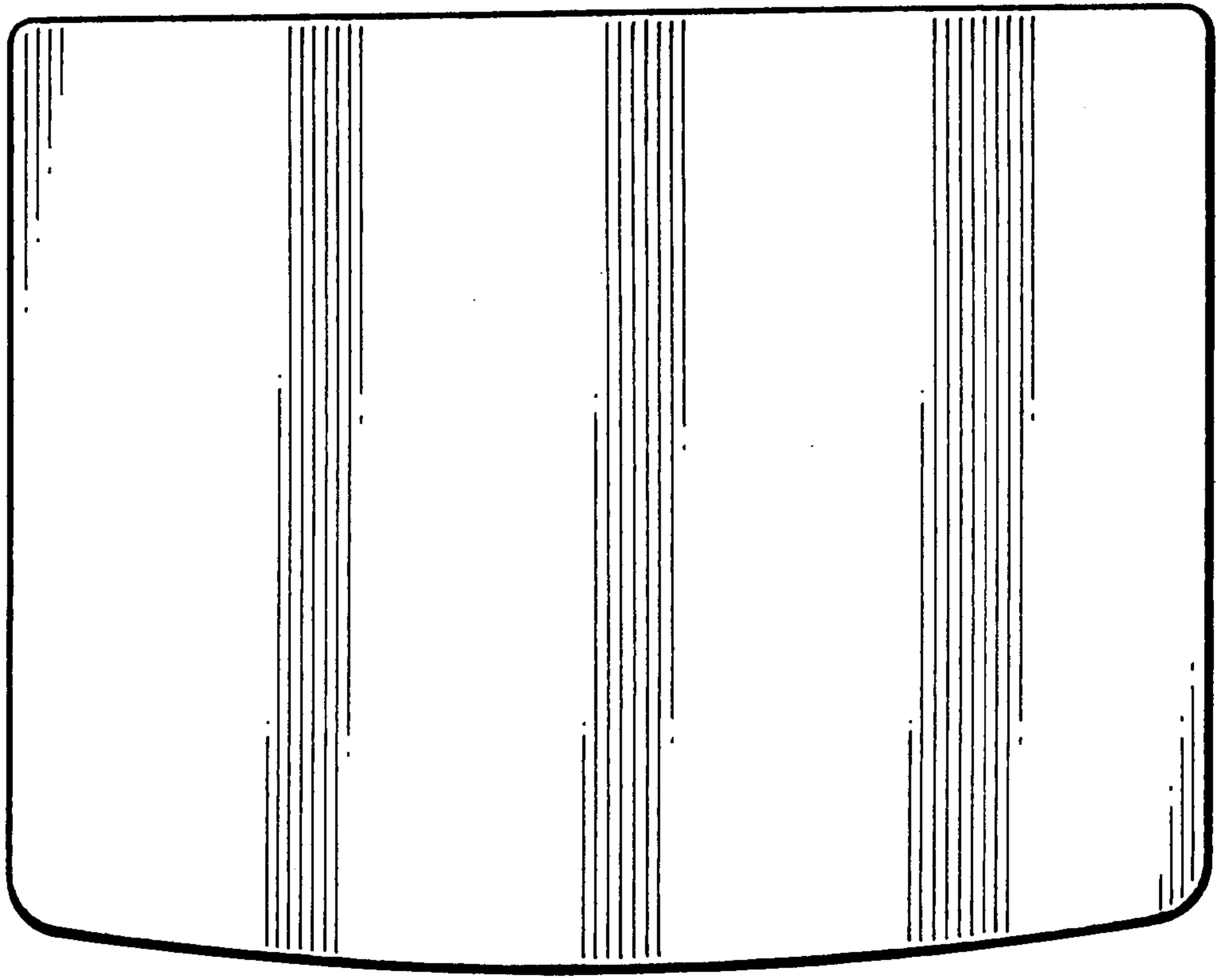


Fig.4



Fig.3



**Fig.5**



**Fig.6**