



US00D479839S

(12) **United States Design Patent**
Crisp et al.

(10) **Patent No.:** **US D479,839 S**

(45) **Date of Patent:** **** Sep. 23, 2003**

(54) **COMPUTER PROCESSOR ENCLOSURE**

D419,139 S * 1/2000 Kohara D14/308
D471,190 S * 3/2003 Crisp et al. D14/313

(75) Inventors: **Richard Andrew Crisp**, Edina, MN (US); **Bob Springer**, Rochester, MN (US)

* cited by examiner

Primary Examiner—Joel Sincavage
(74) *Attorney, Agent, or Firm*—James R. Nock

(73) Assignee: **International Business Machines Corporation**, Armonk, NY (US)

(57) **CLAIM**

(**) Term: **14 Years**

The ornamental design for a computer processor enclosure, as shown and described.

(21) Appl. No.: **29/173,887**

DESCRIPTION

(22) Filed: **Jan. 8, 2003**

(51) **LOC (7) Cl.** **14-02**

(52) **U.S. Cl.** **D14/308**

(58) **Field of Search** D14/300–313,
D14/348–356; 312/223.2; 361/683, 727

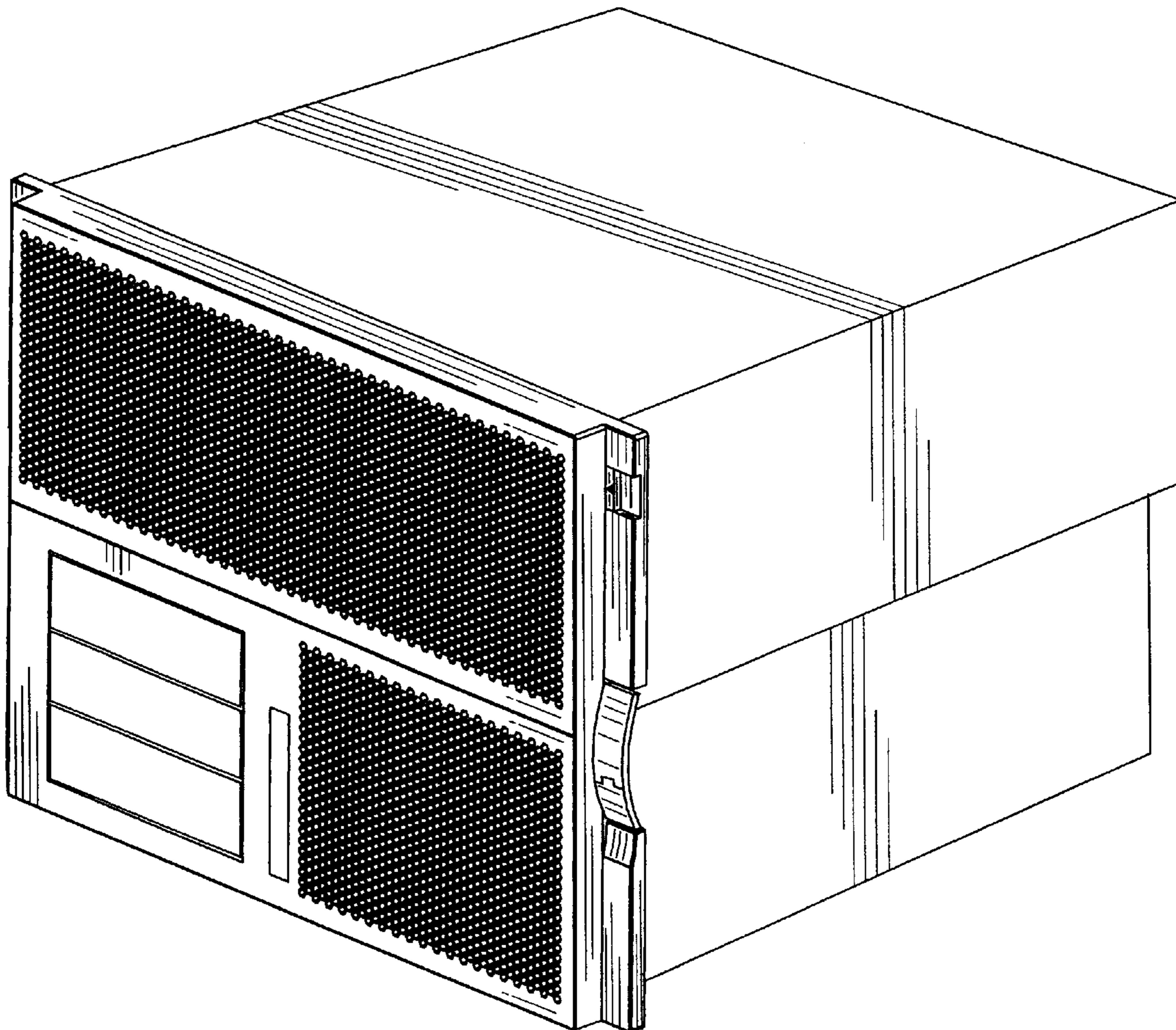
FIG. 1 is a top, front, right side isometric view of a computer processor enclosure, showing our new design;
FIG. 2 is a front view thereof;
FIG. 3 is a right view thereof; and,
FIG. 4 is a top view thereof.
The bottom of the computer processor enclosure is unornamented and forms no part of the claimed design. The left view is a mirror image of the right view shown in FIG. 3.

(56) **References Cited**

U.S. PATENT DOCUMENTS

D308,047 S * 5/1990 Aderman et al. D14/311

1 Claim, 4 Drawing Sheets



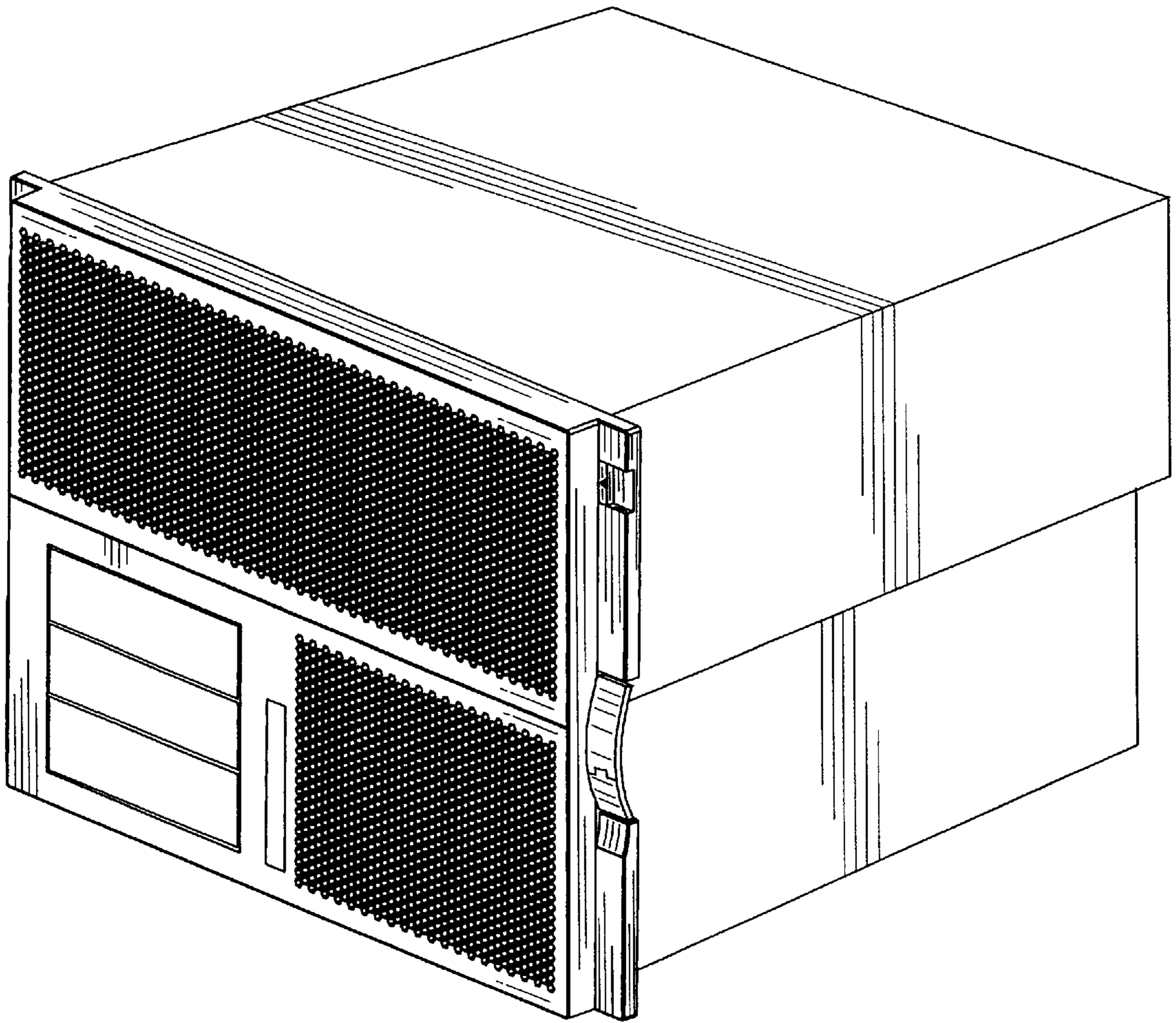


FIG. 1

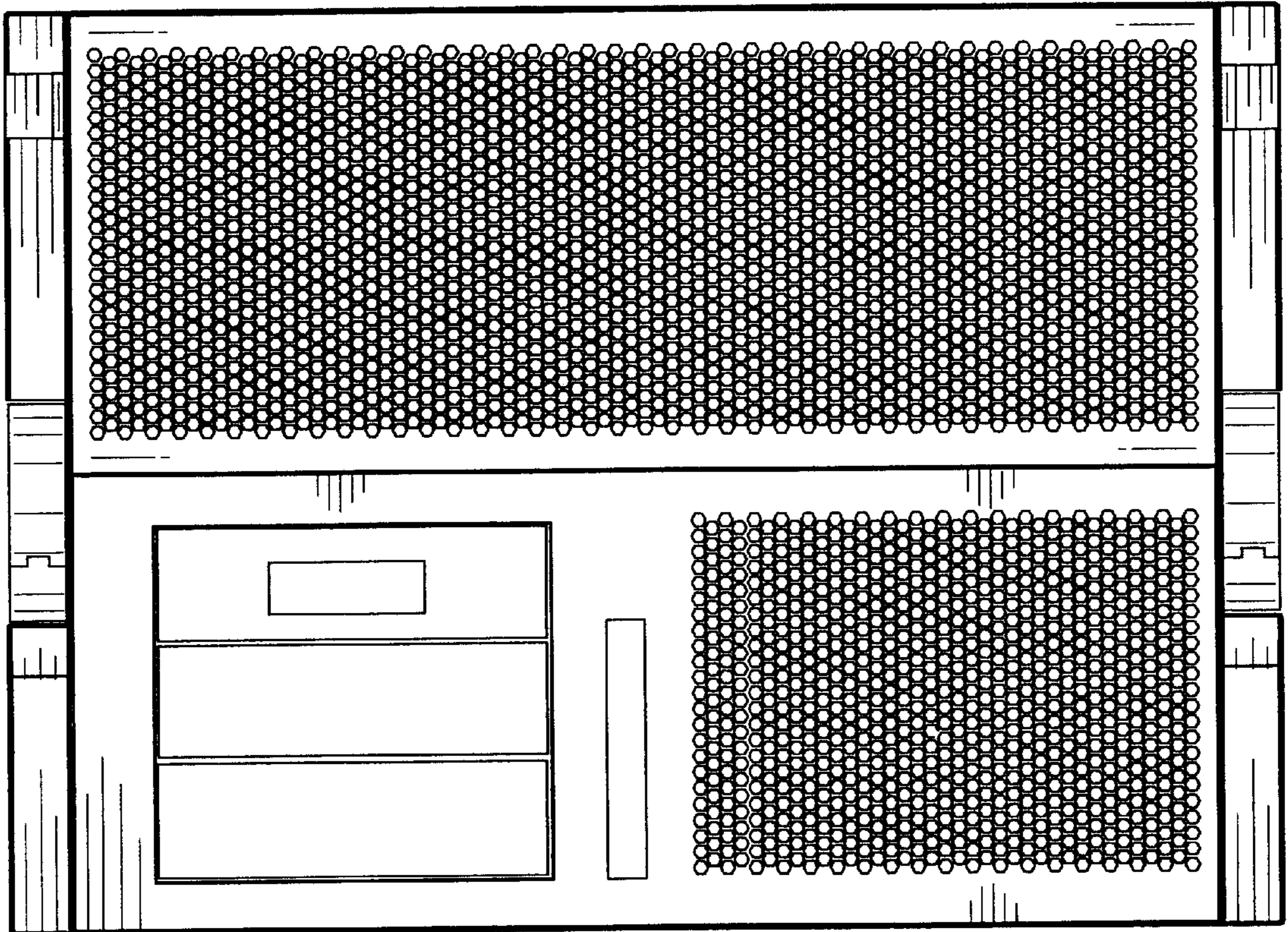


FIG. 2

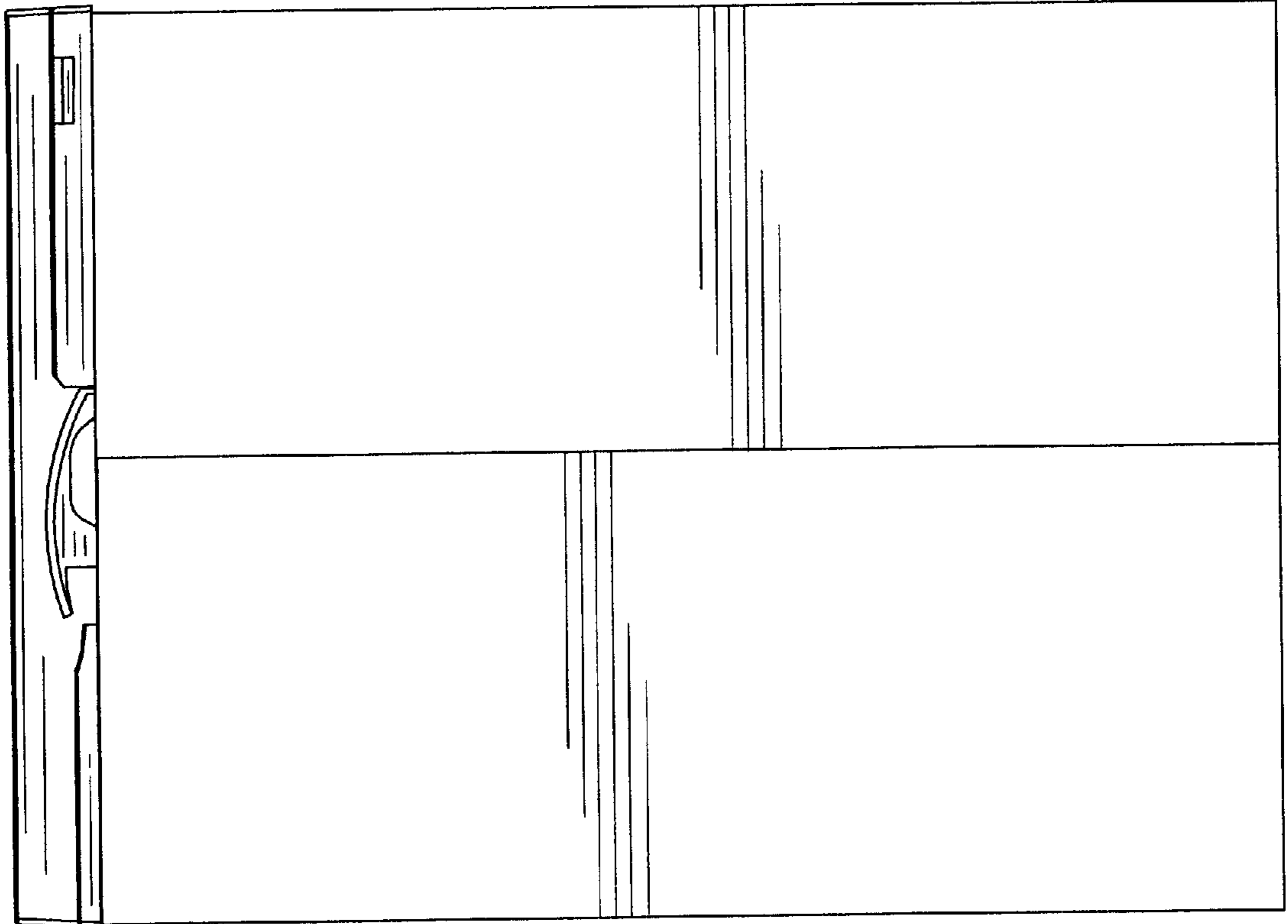


FIG. 3

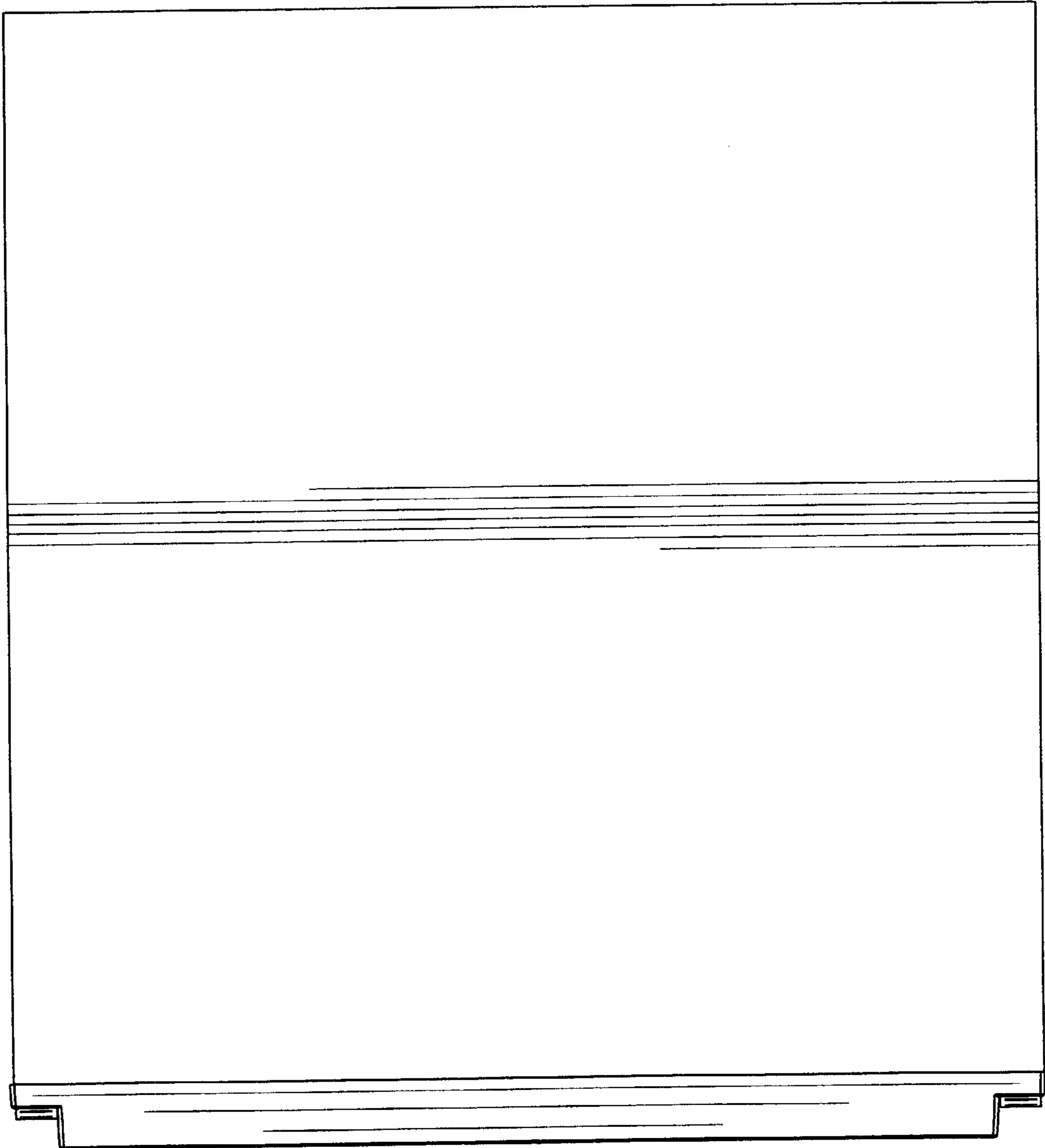


FIG. 4