



US00D479838S

(12) **United States Design Patent**
Tomino

(10) **Patent No.:** **US D479,838 S**

(45) **Date of Patent:** **** Sep. 23, 2003**

(54) **RACK MOUNT**

D466,080 S * 11/2002 Ko D13/147

(75) Inventor: **Hiroyuki Tomino**, Tokyo (JP)

* cited by examiner

(73) Assignee: **Allied Telesis Kabushiki Kaisha**,
Tokyo (JP)

Primary Examiner—Charles A. Rademaker
(74) *Attorney, Agent, or Firm*—Knobbe, Martens, Olson &
Bear LLP

(**) Term: **14 Years**

(57) **CLAIM**

(21) Appl. No.: **29/152,694**

The ornamental design for a rack mount, as shown.

(22) Filed: **Dec. 21, 2001**

DESCRIPTION

(30) **Foreign Application Priority Data**

Aug. 15, 2001 (JP) 2001-024041

FIG. 1 is a perspective view of a rack mount when the
drawer is open, showing my new design;

(51) **LOC (7) Cl.** **14-03**

FIG. 2 is a front view thereof;

(52) **U.S. Cl.** **D14/240**

FIG. 3 is a rear view thereof;

(58) **Field of Search** D14/240-256,
D14/428; D13/147; 379/428.04; 361/686;
455/403, 29, 72, 899; 200/393

FIG. 4 is a right side view thereof;

FIG. 5 is a left side view thereof;

FIG. 6 is a top plan view thereof;

FIG. 7 is a bottom plan view thereof;

FIG. 8 is a perspective view of the rack mount when the
drawer is closed;

FIG. 9 is a front view thereof;

FIG. 10 is a right side view thereof;

FIG. 11 is a left side view thereof;

FIG. 12 is a top plan view thereof; and,

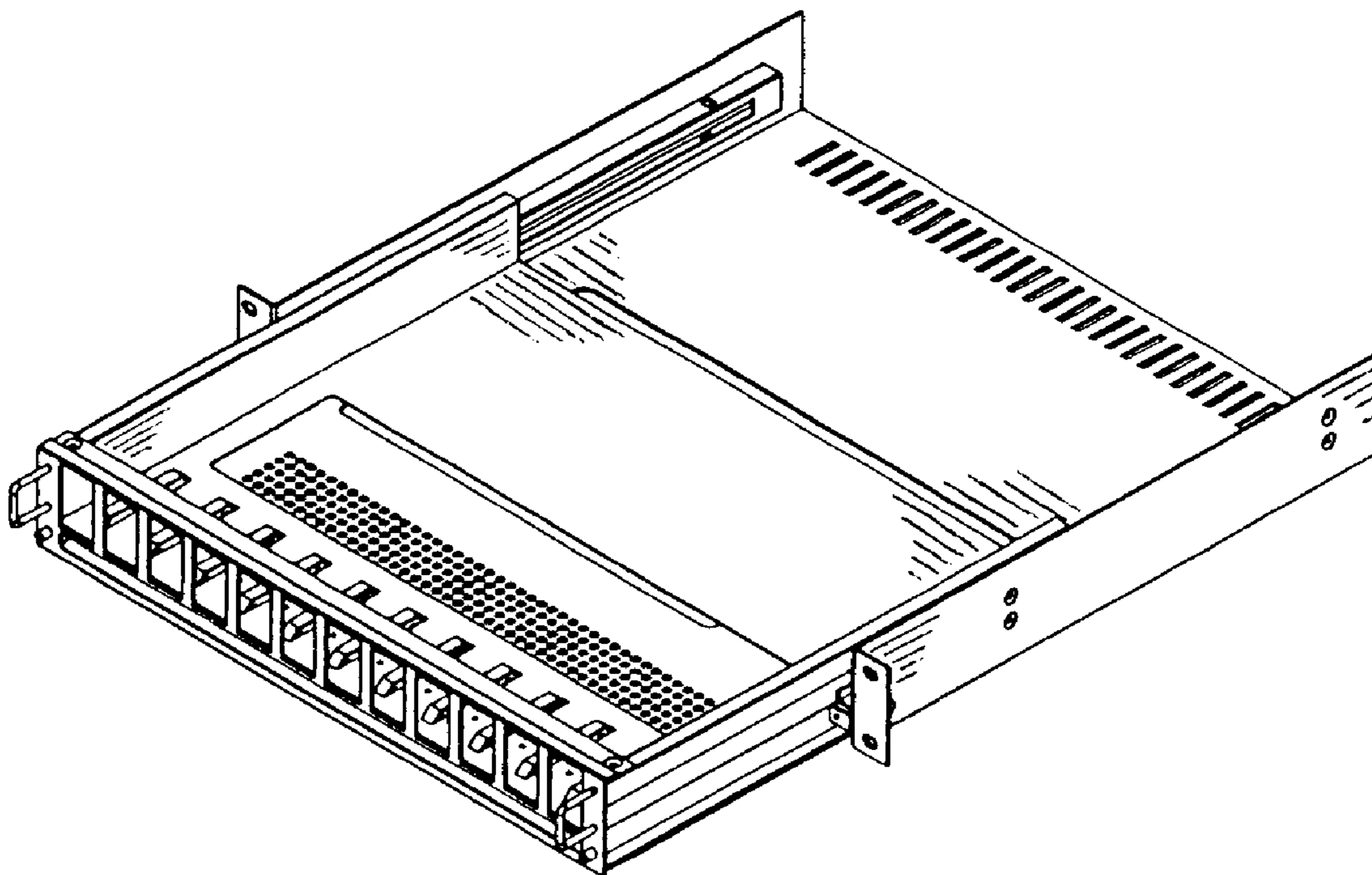
FIG. 13 is a bottom plan view thereof.

(56) **References Cited**

U.S. PATENT DOCUMENTS

- D414,496 S * 9/1999 Tucker et al. D14/240
- D442,171 S * 5/2001 Jang D14/438
- D444,130 S * 6/2001 Hayashi et al. D13/147
- 6,301,106 B1 * 10/2001 Helot et al. 361/686
- D454,114 S * 3/2002 Hayashi et al. D13/147
- 6,456,492 B1 * 9/2002 Wang et al. 361/686

1 Claim, 5 Drawing Sheets



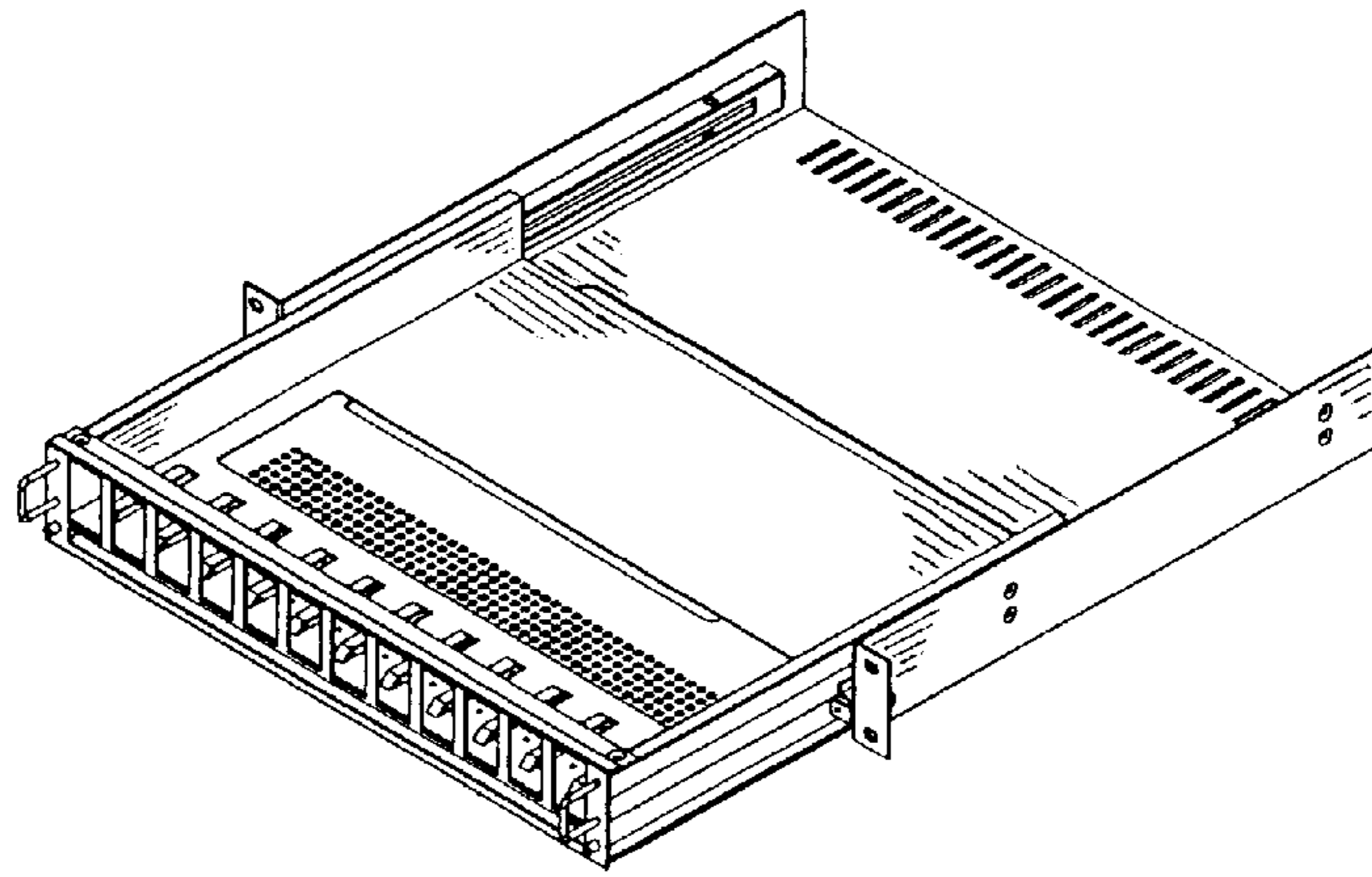


FIG. 1

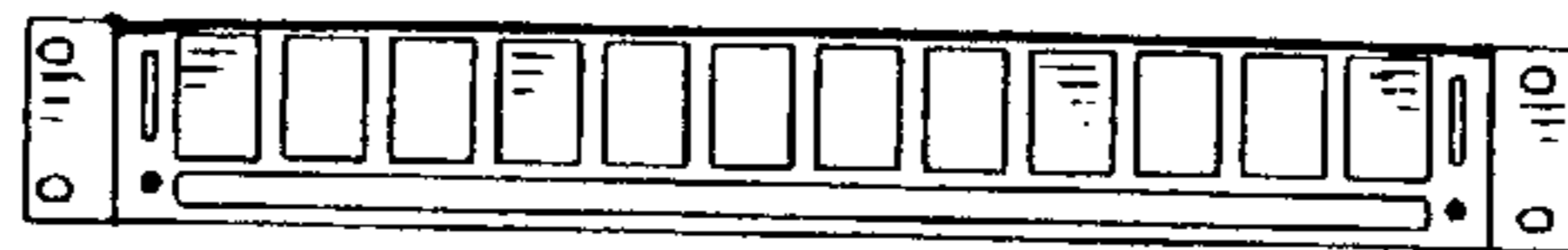


FIG. 2



FIG. 3



FIG. 4

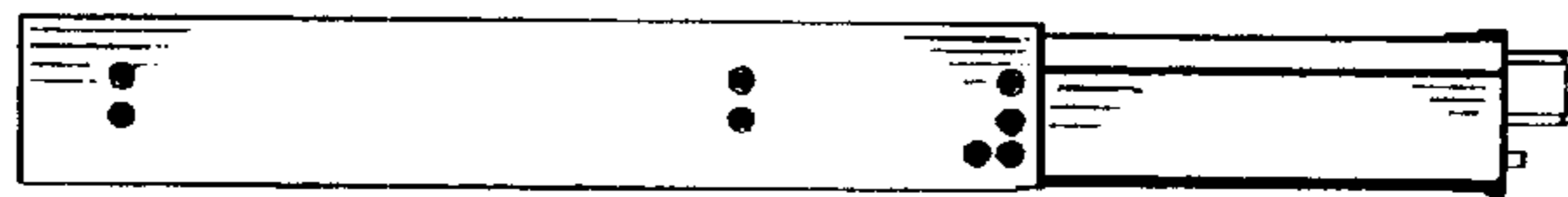


FIG. 5

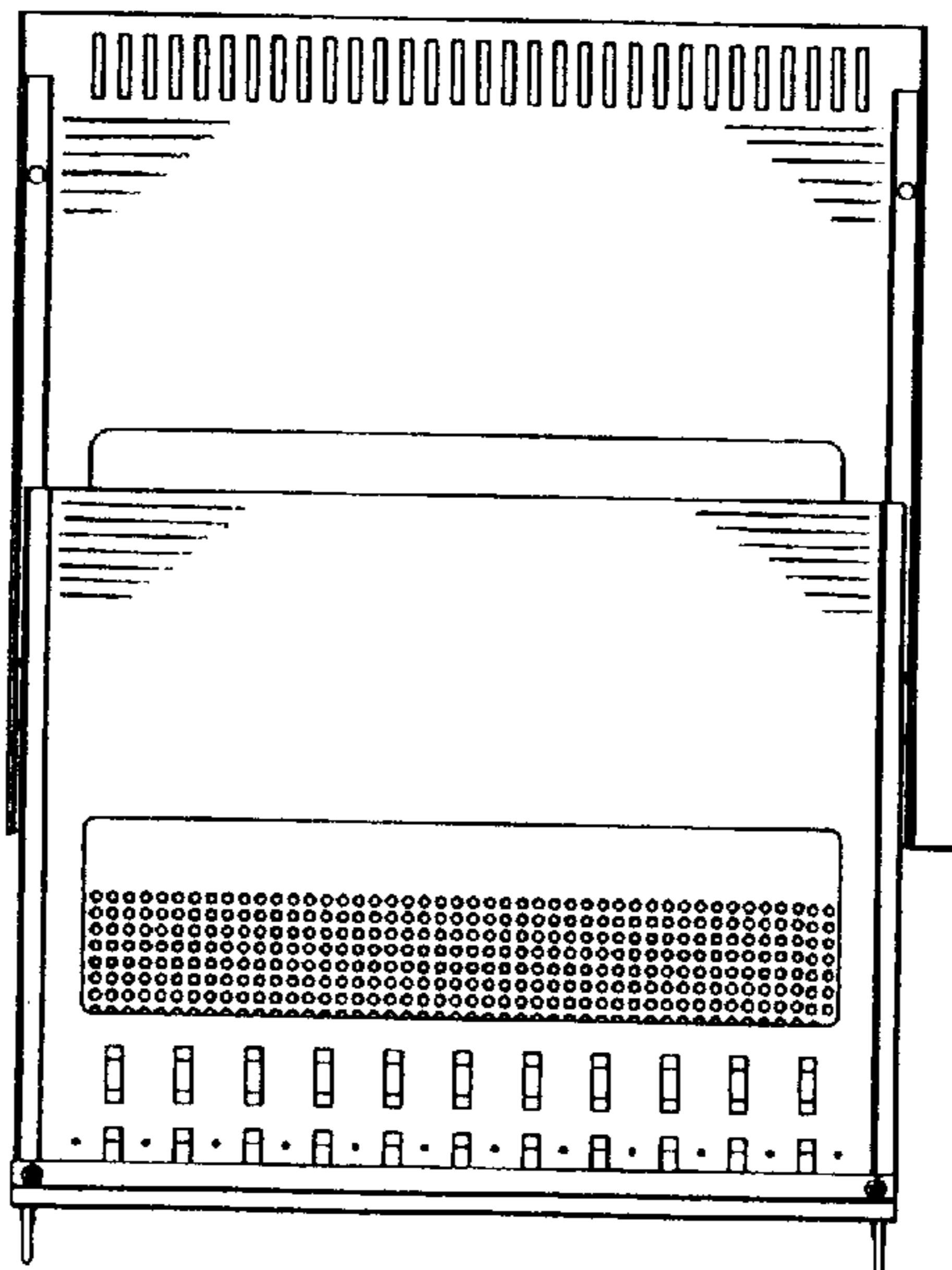


FIG. 6

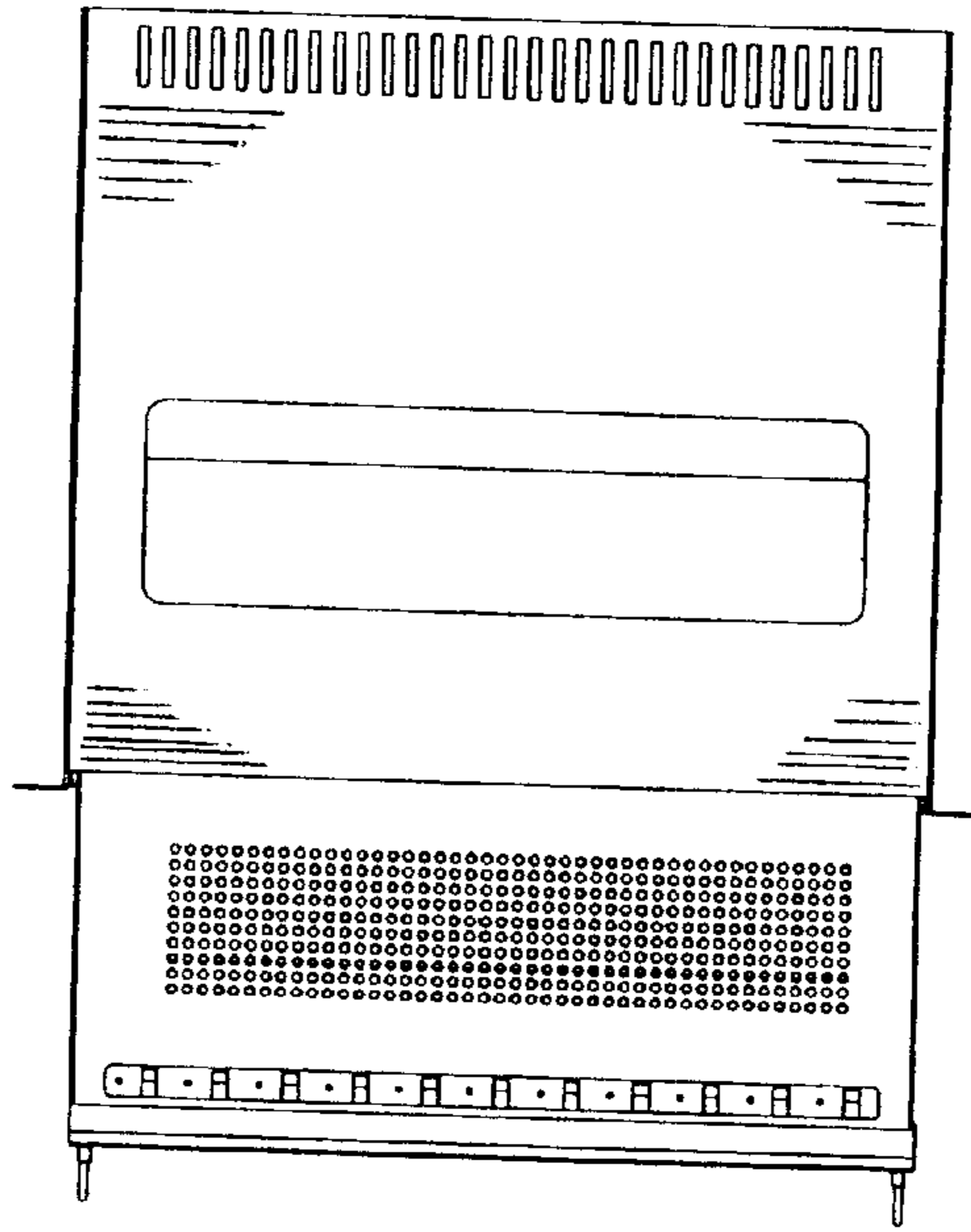


FIG. 7

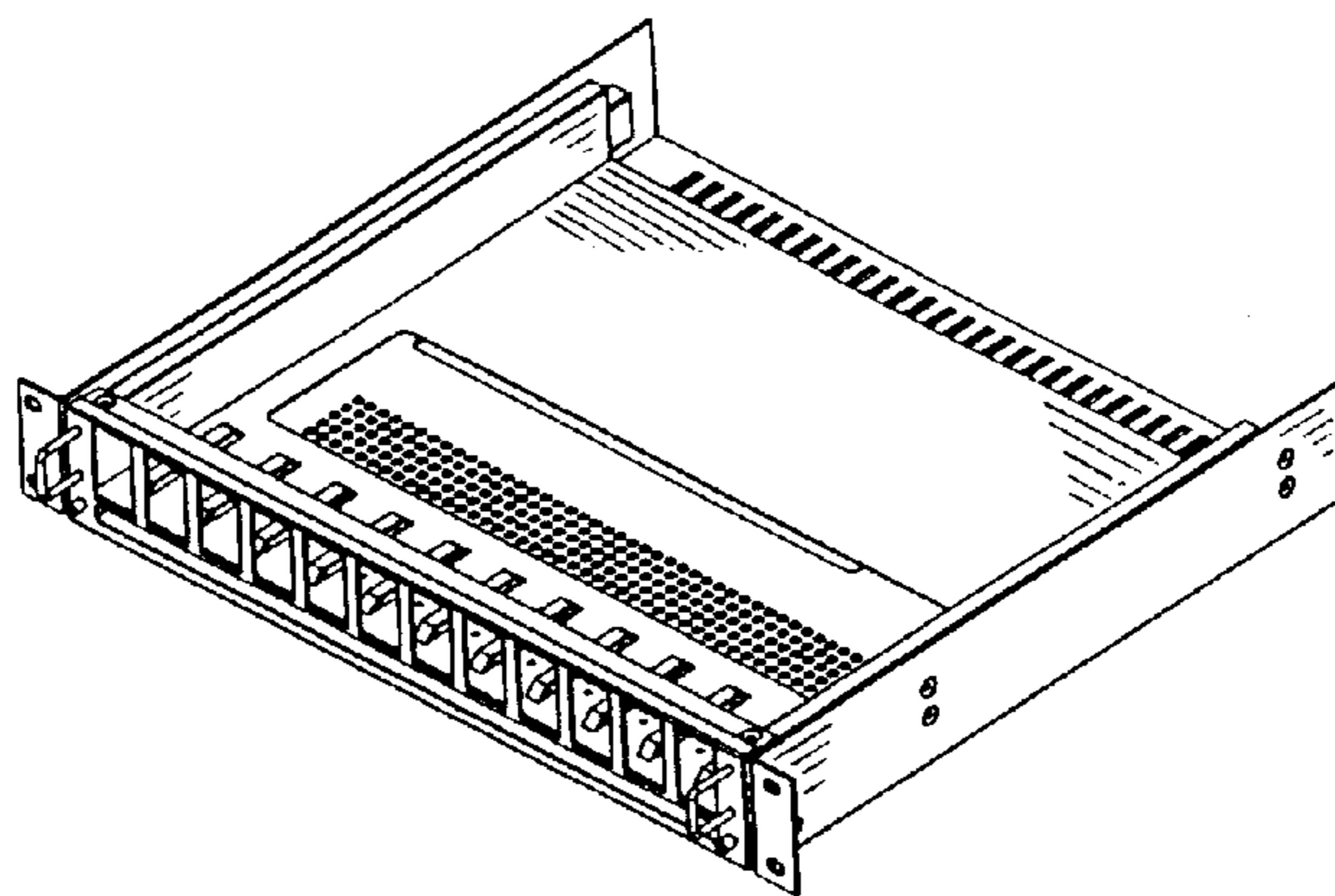


FIG. 8

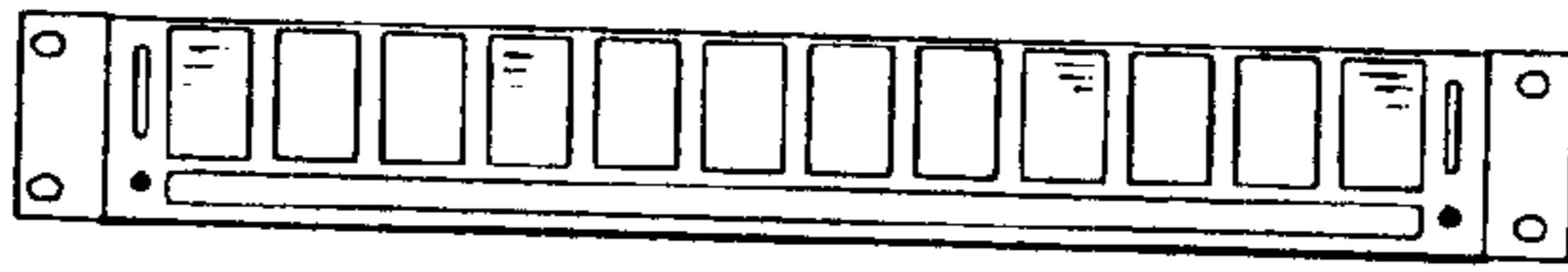


FIG. 9



FIG. 10

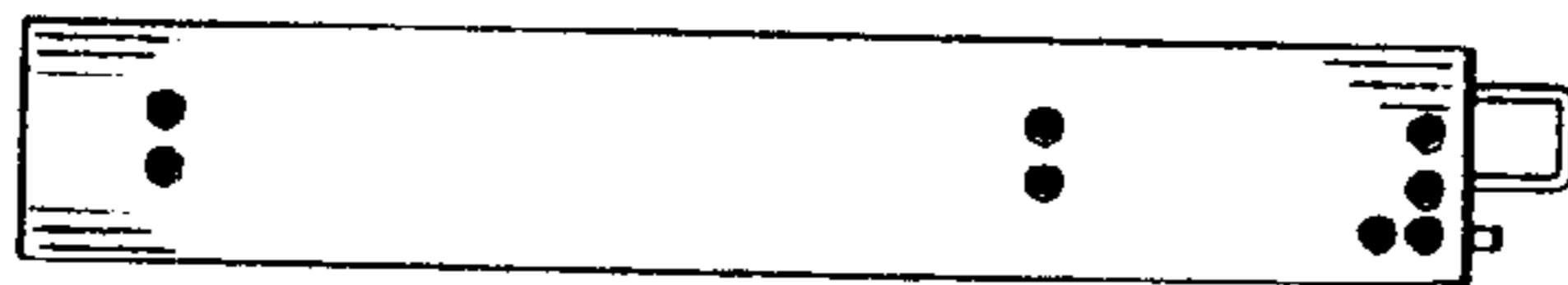


FIG. 11

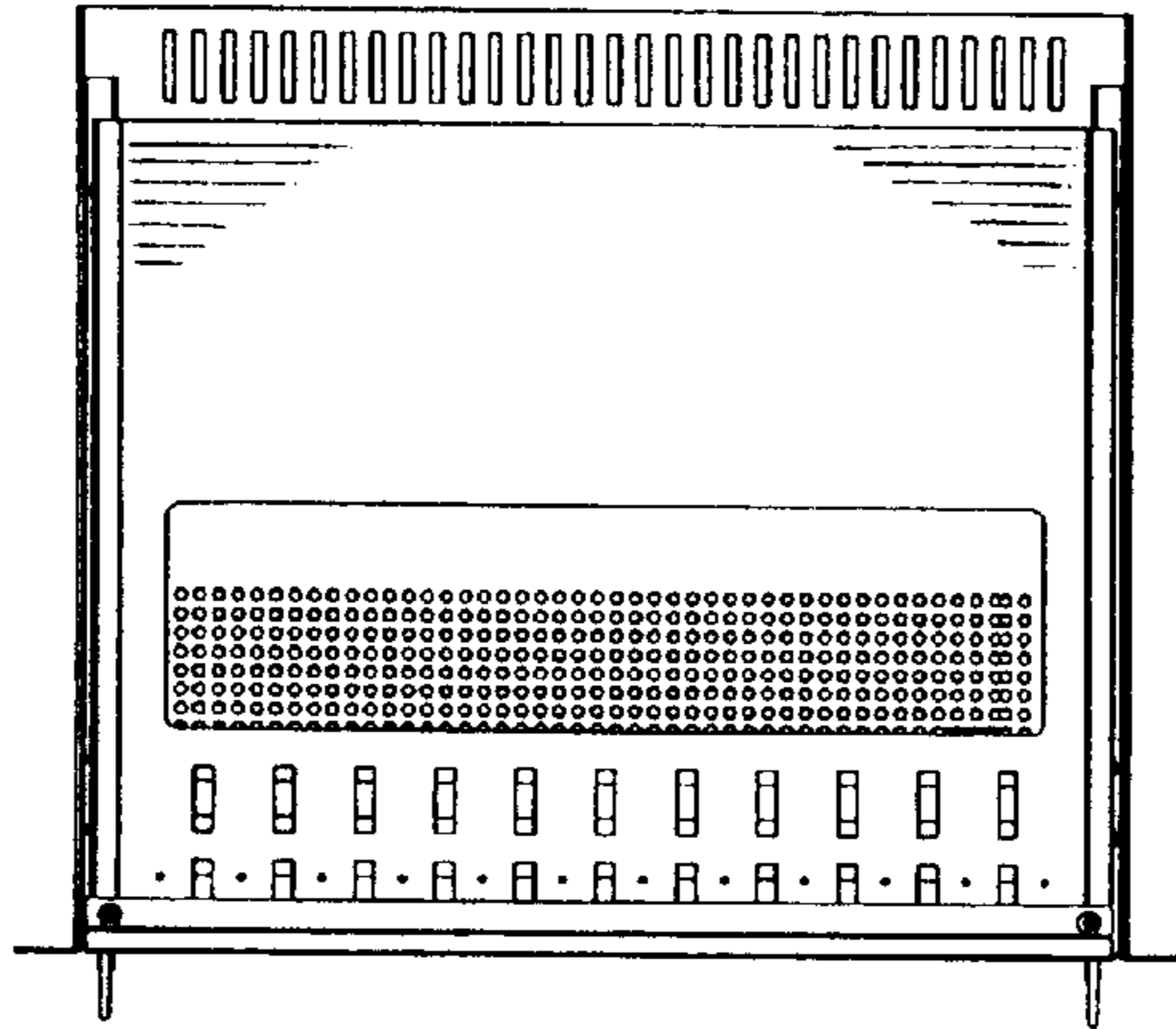


FIG. 12

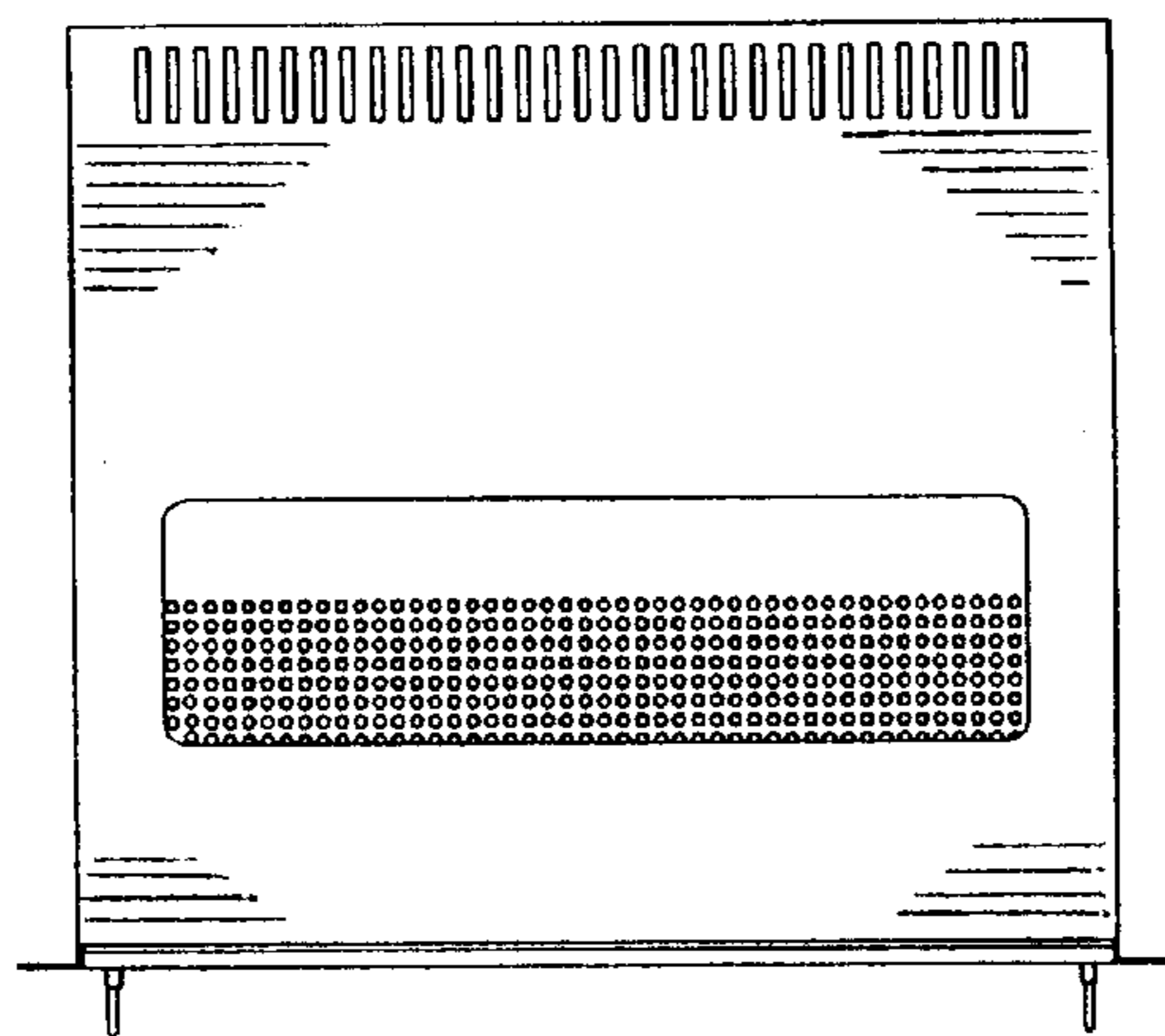


FIG. 13