



US00D479835S

(12) **United States Design Patent**
Hussaini et al.

(10) **Patent No.:** **US D479,835 S**

(45) **Date of Patent:** **** Sep. 23, 2003**

(54) **REMOTE CONTROL AND ADAPTOR**

(75) Inventors: **Saied Hussaini**, Miami, FL (US); **Marc Iacovelli**, Miami, FL (US)

(73) Assignee: **Intec, Inc.**, Miami, FL (US)

(**) Term: **14 Years**

(21) Appl. No.: **29/177,231**

(22) Filed: **Mar. 7, 2003**

Related U.S. Application Data

(62) Division of application No. 29/163,533, filed on Jul. 9, 2002.

(51) **LOC (7) Cl.** **14-03**

(52) **U.S. Cl.** **D14/218**

(58) **Field of Search** D14/174, 217,
D14/218, 137-139, 151, 191-193, 299,
167, 168; D13/168, 162-164; D21/513-517,
566; D10/104, 106; 455/352-355, 151.1-151.4;
348/114, 734; 463/39

(56) **References Cited**

U.S. PATENT DOCUMENTS

D366,262 S * 1/1996 Inaba D14/218
D369,606 S * 5/1996 Marks D14/218
5,598,143 A * 1/1997 Wentz 348/734
D380,752 S * 7/1997 Hanson D13/168
5,888,135 A * 3/1999 Barton et al. 463/39

D448,358 S * 9/2001 Tickle et al. D14/218
D451,498 S * 12/2001 Rossel D14/218
D463,403 S * 9/2002 Hisatsune D14/218
6,565,440 B2 * 5/2003 Hames 463/39

* cited by examiner

Primary Examiner—Louis S. Zarfaz

Assistant Examiner—Deanne Levy

(74) *Attorney, Agent, or Firm*—Liniak, Berenato & White

(57) **CLAIM**

The ornamental design for a remote control and adaptor, as shown and described.

DESCRIPTION

FIG. 1 is a front view of the remote control and adaptor according to the present invention.

FIG. 2 is a rear view of the remote control and adaptor of FIG. 1.

FIG. 3 is a top side view of the remote control and adaptor of FIG. 1.

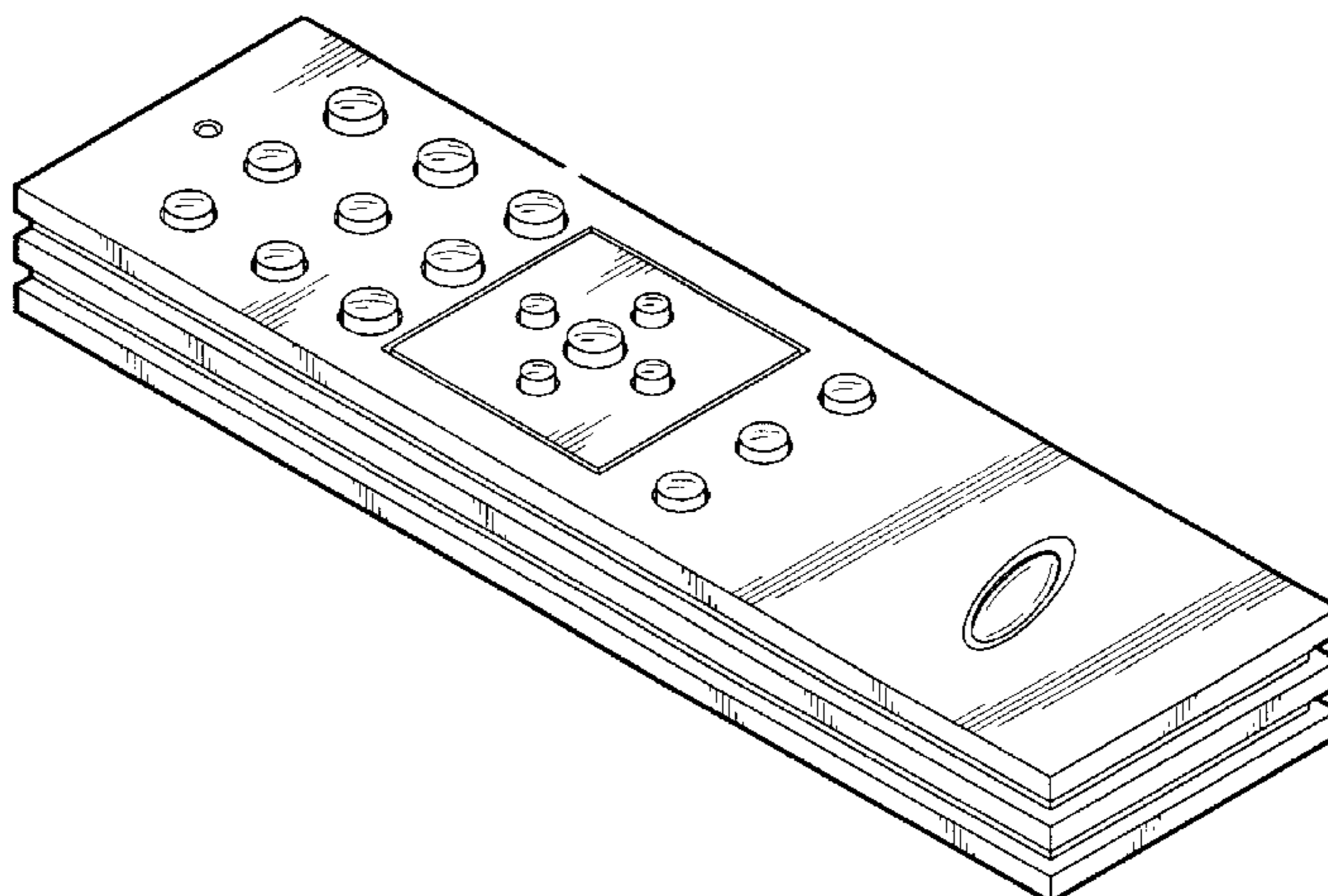
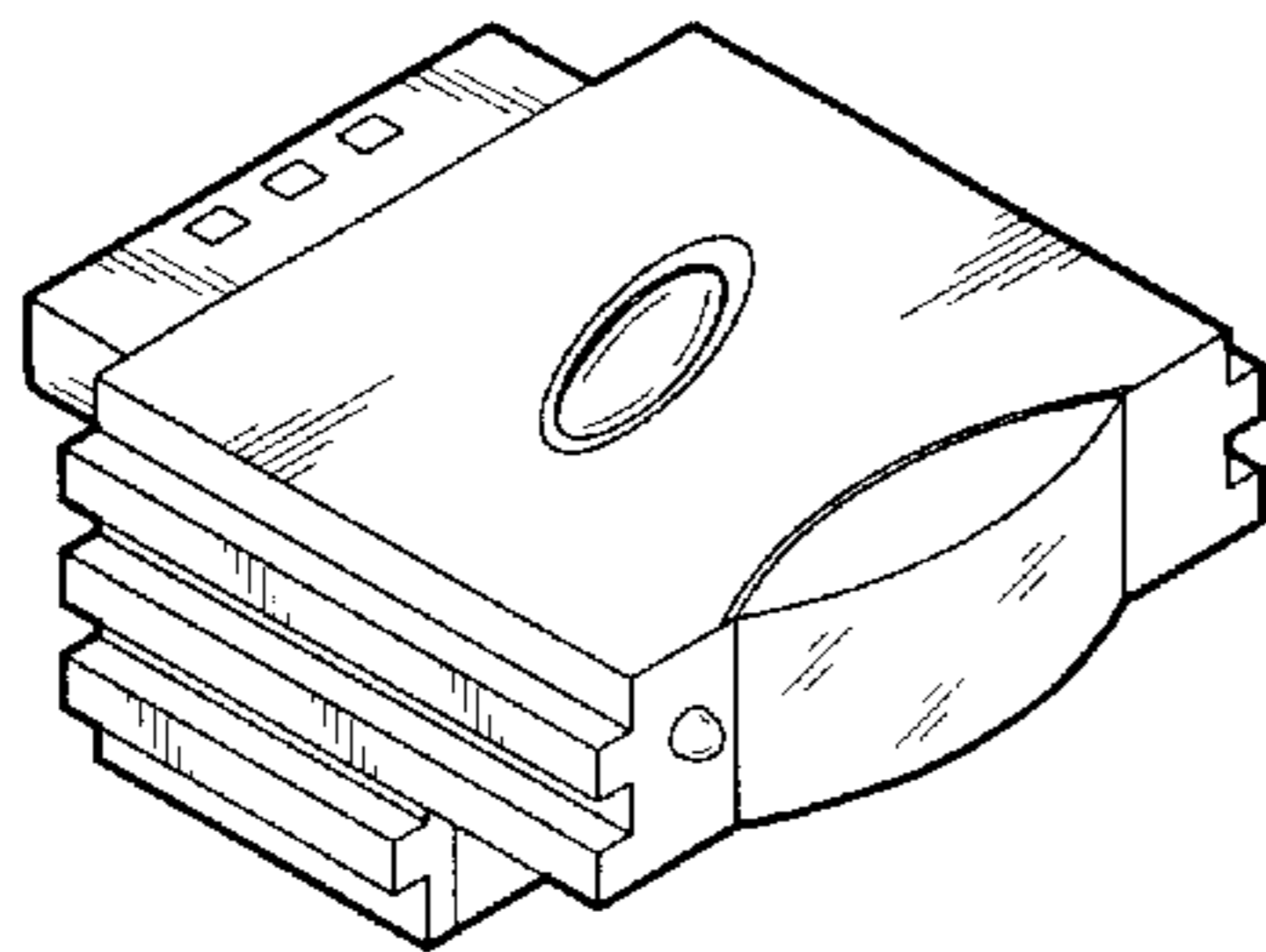
FIG. 4 is a bottom side view of the remote control and adaptor of FIG. 1.

FIG. 5 is a left side view of the remote control and adaptor of FIG. 1.

FIG. 6 is a right side view of the remote control and adaptor of FIG. 1; and,

FIG. 7 is a front and left elevational perspective view of the remote control and adaptor of FIG. 1.

1 Claim, 6 Drawing Sheets



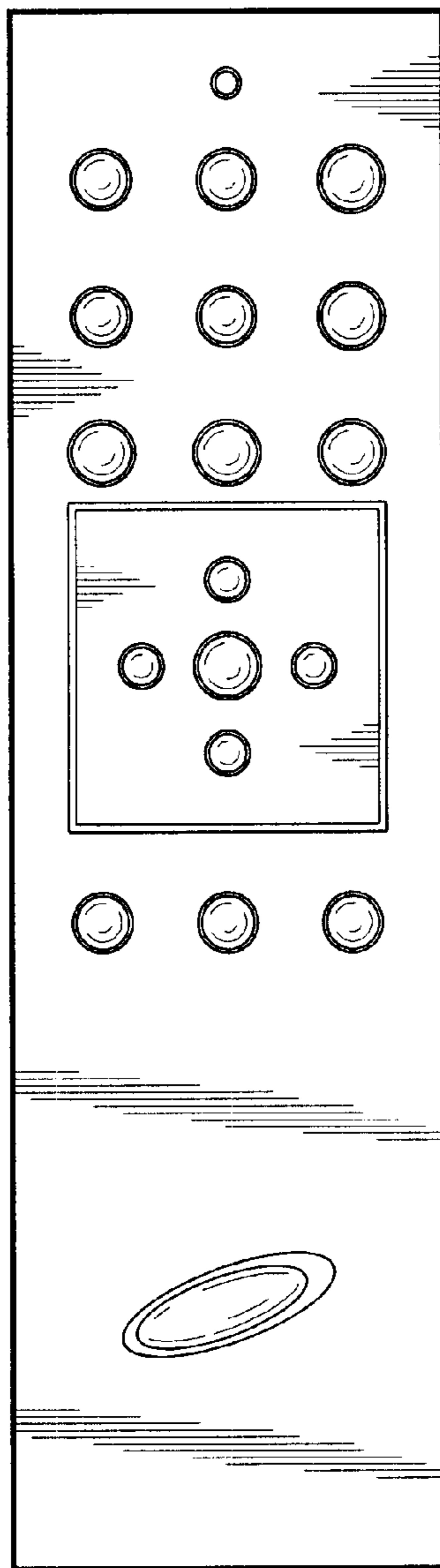
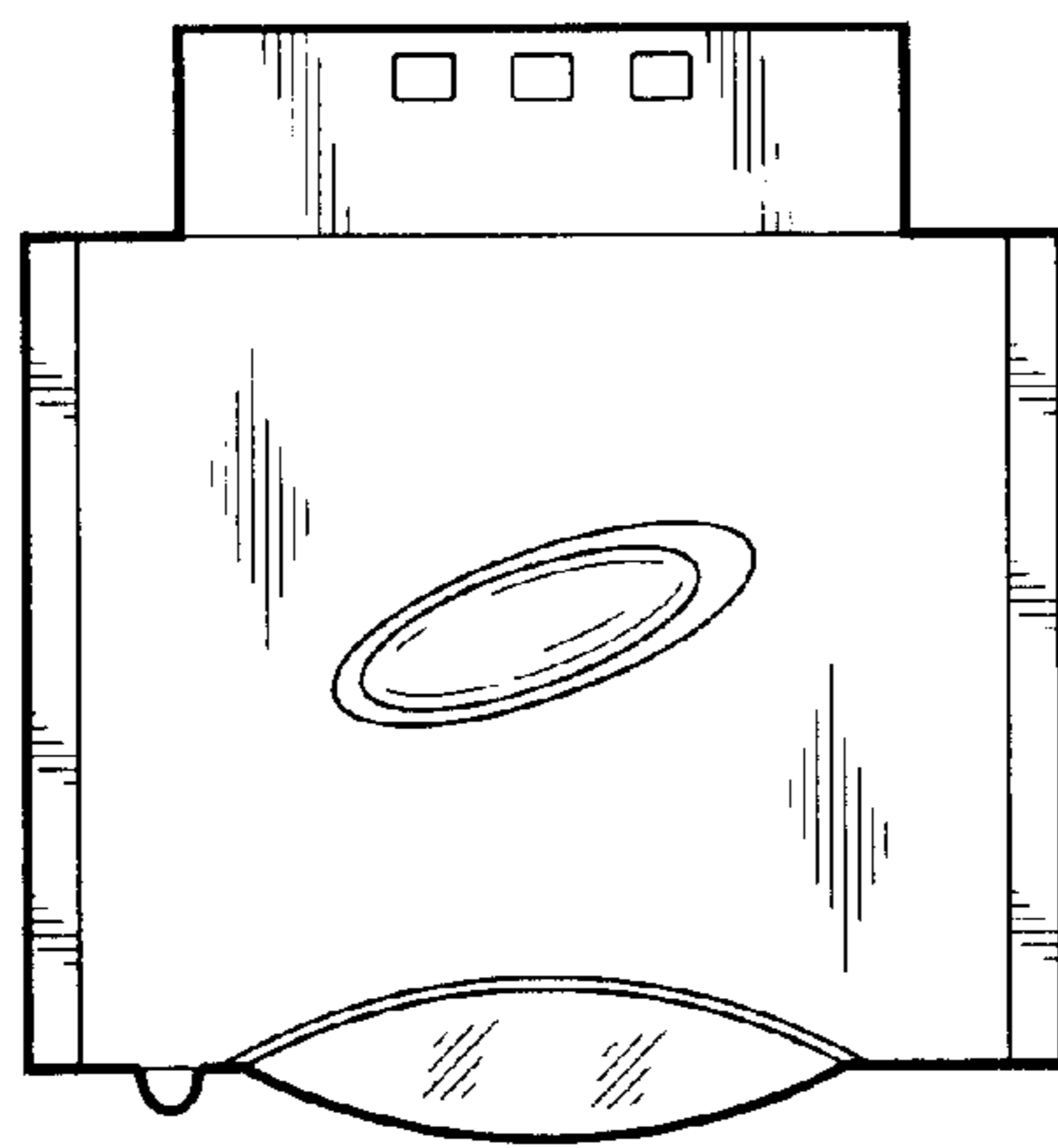


Fig. 1

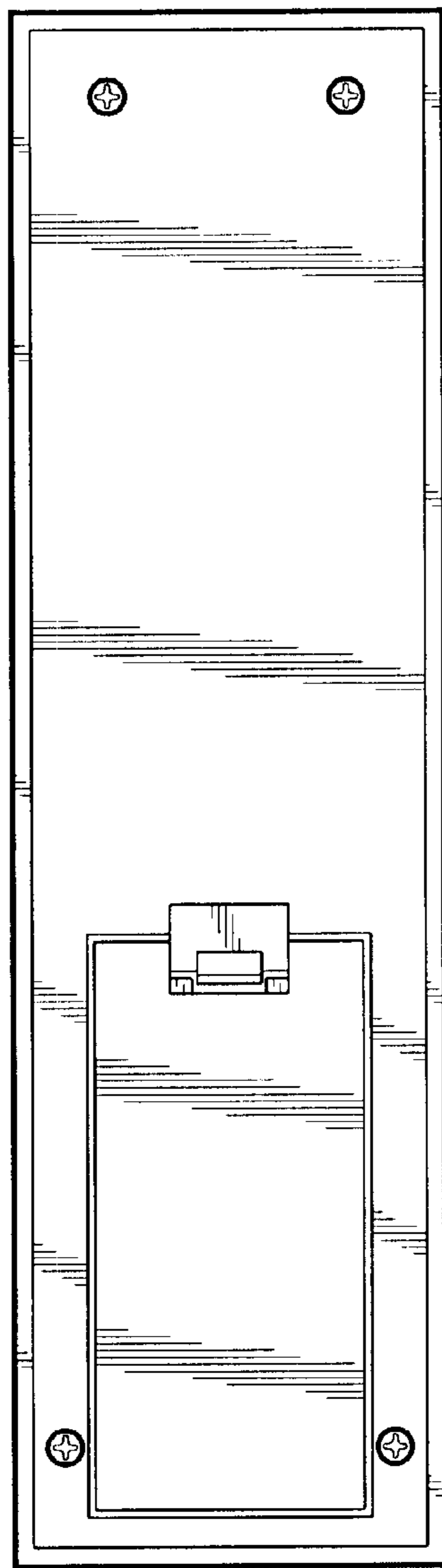
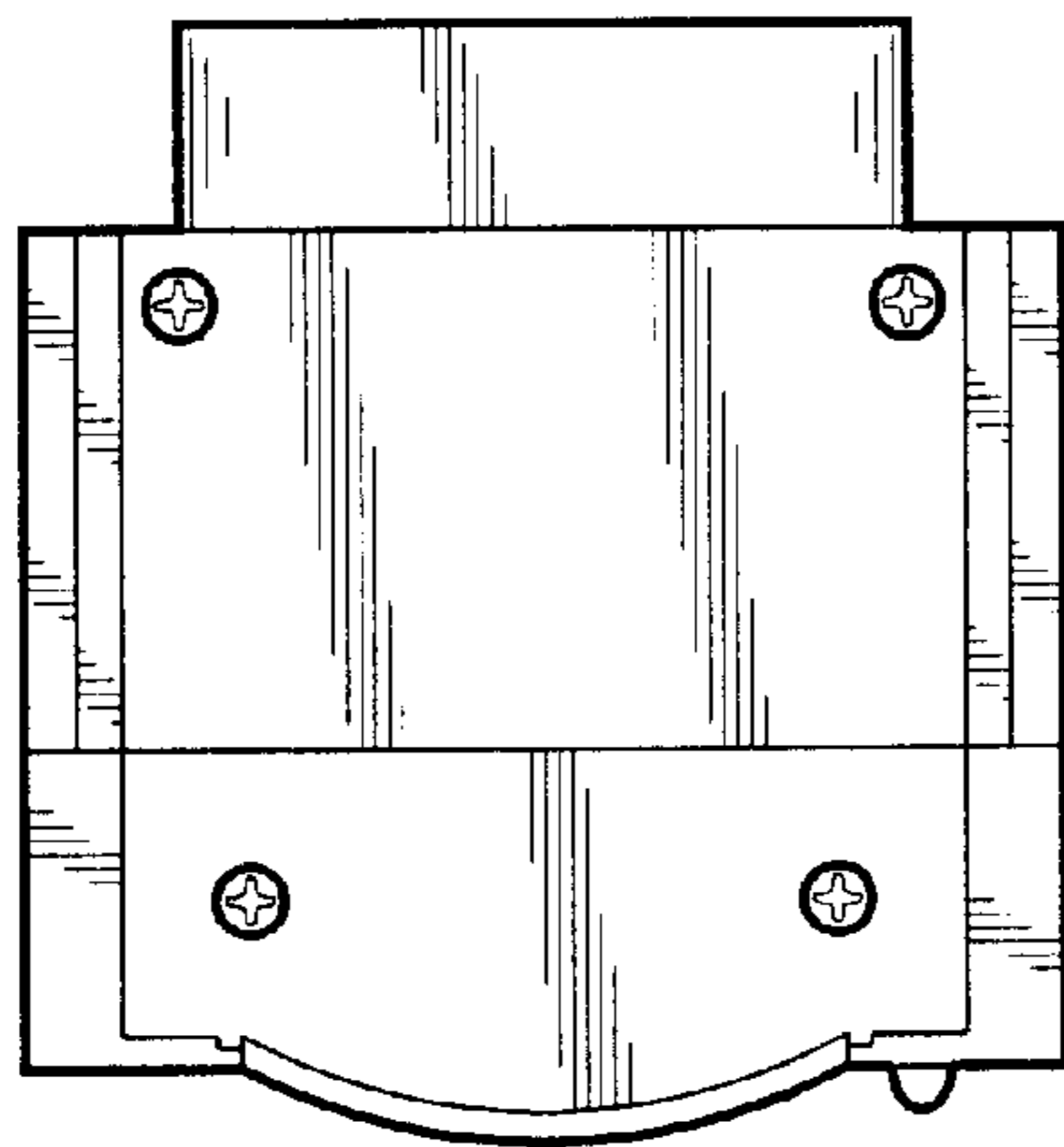


Fig. 2

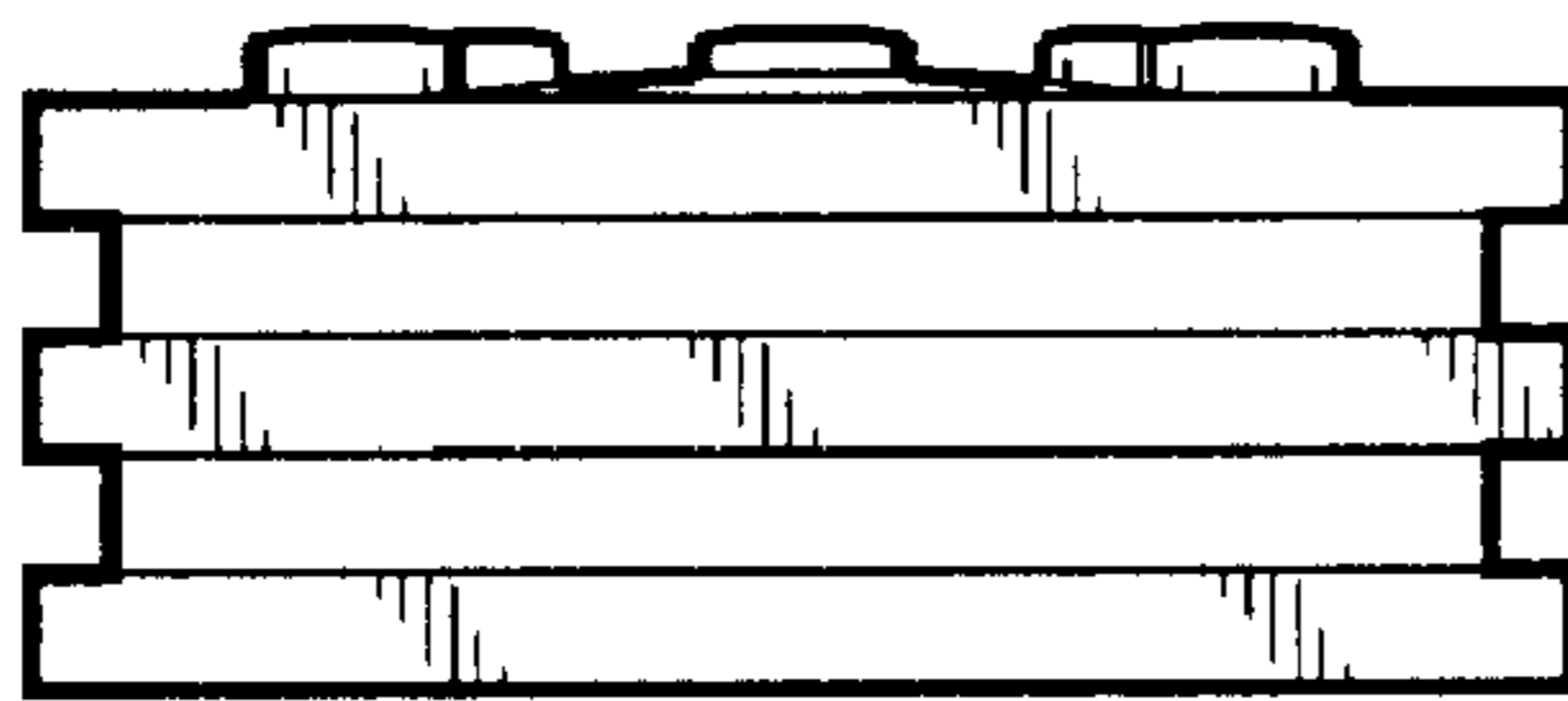
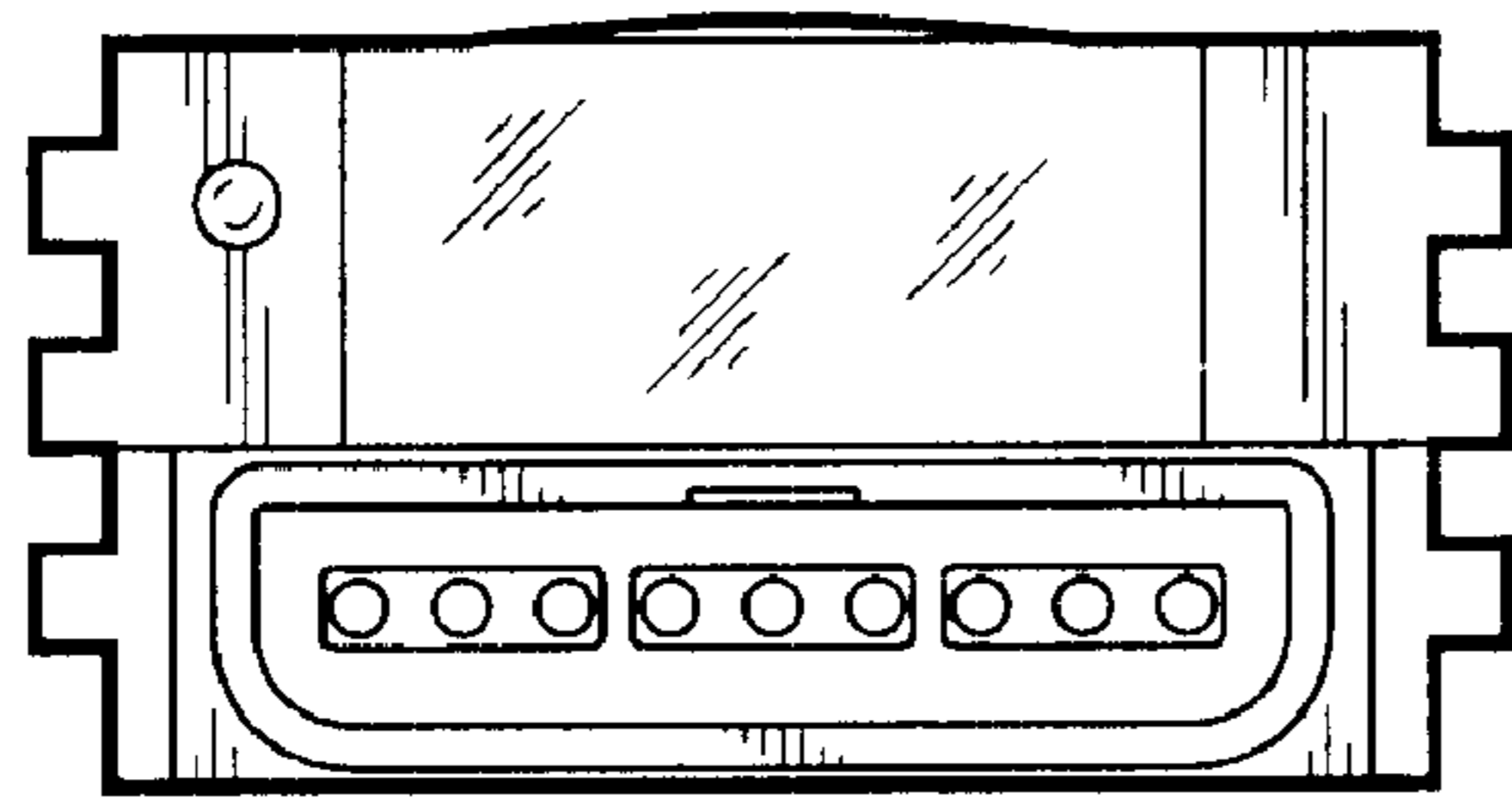


Fig. 3

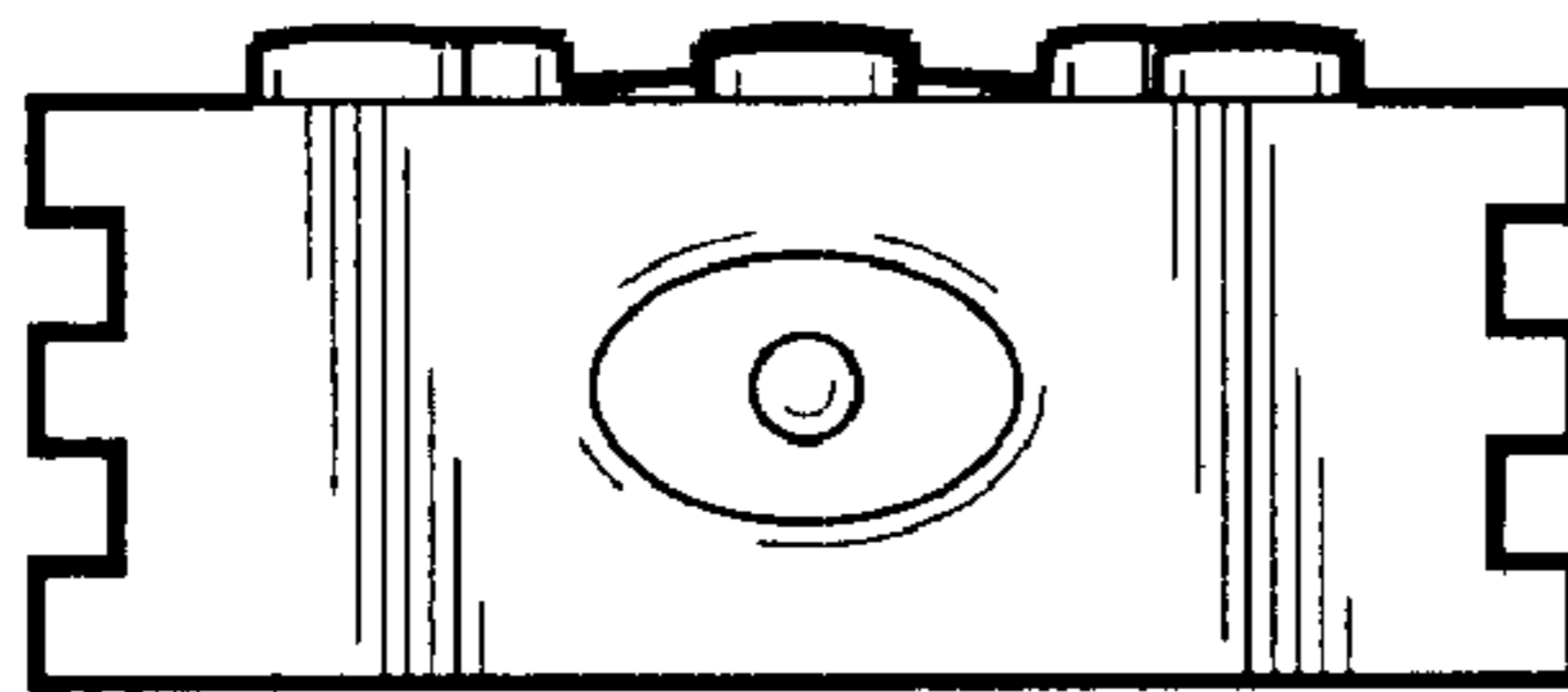
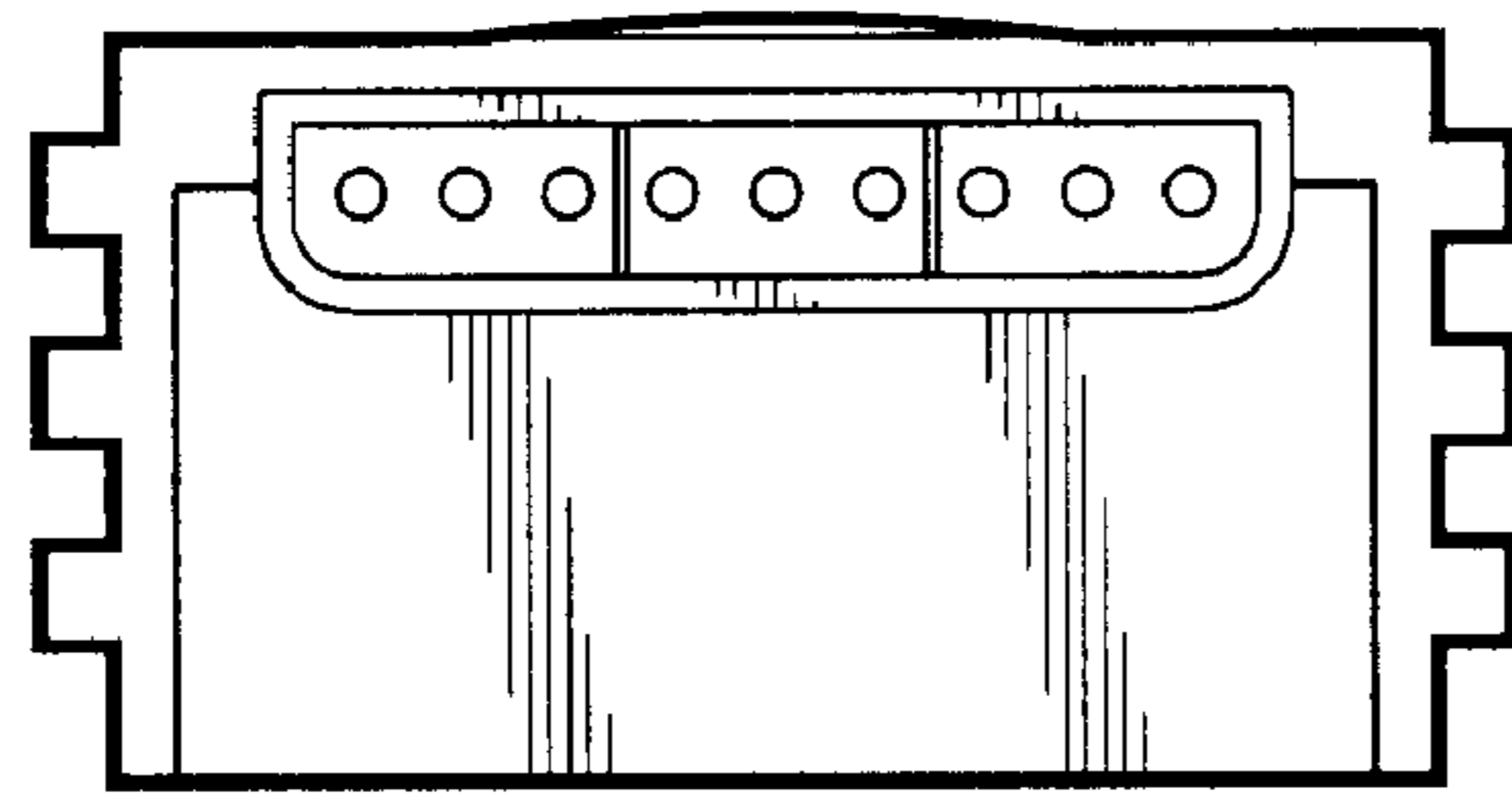
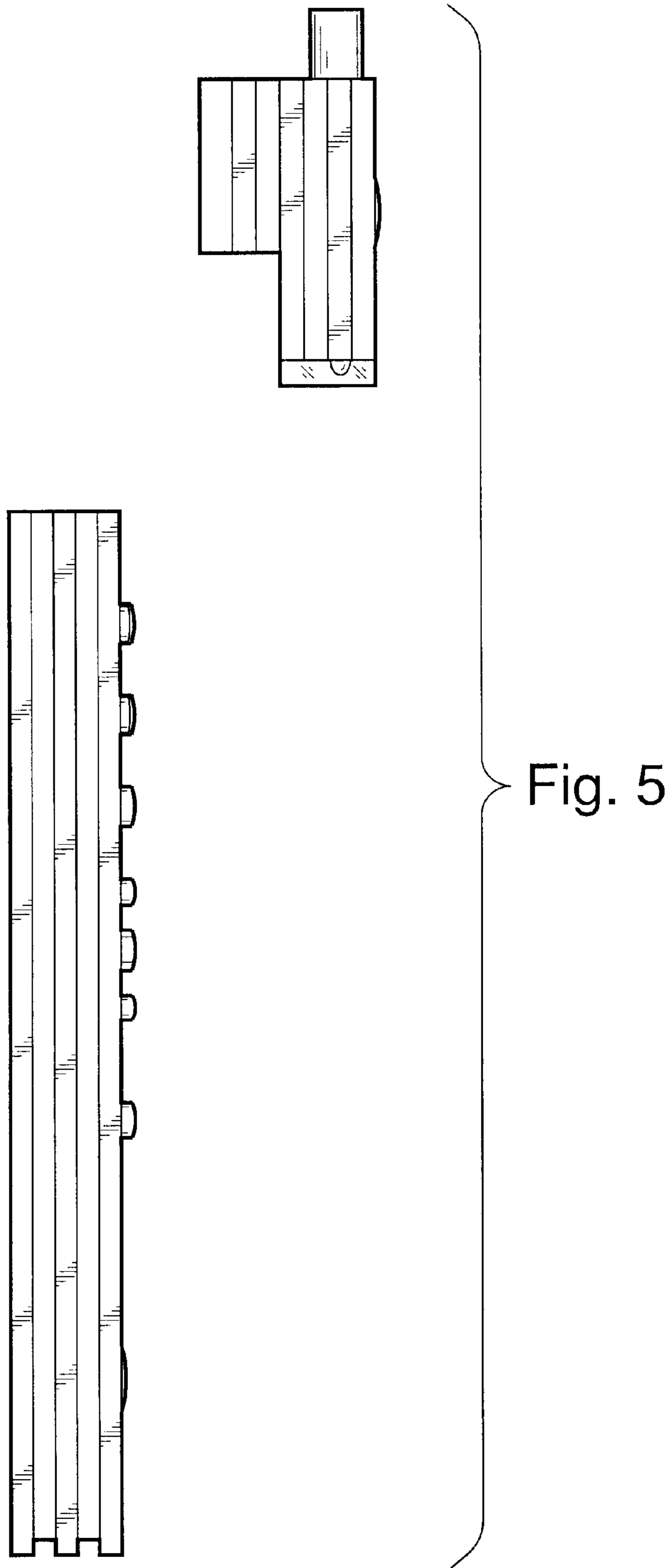


Fig. 4



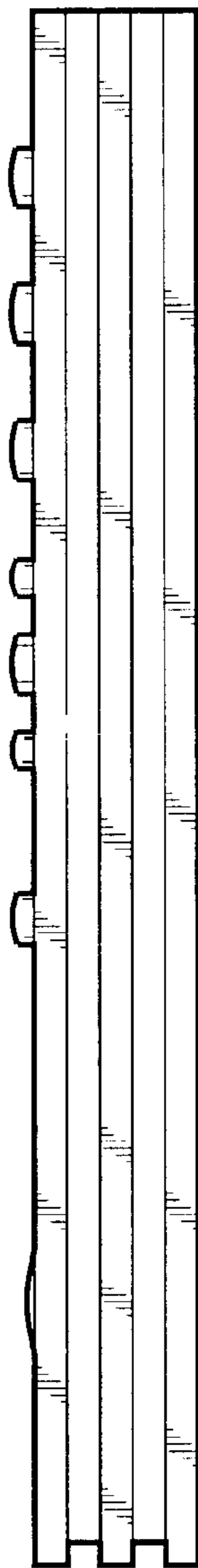
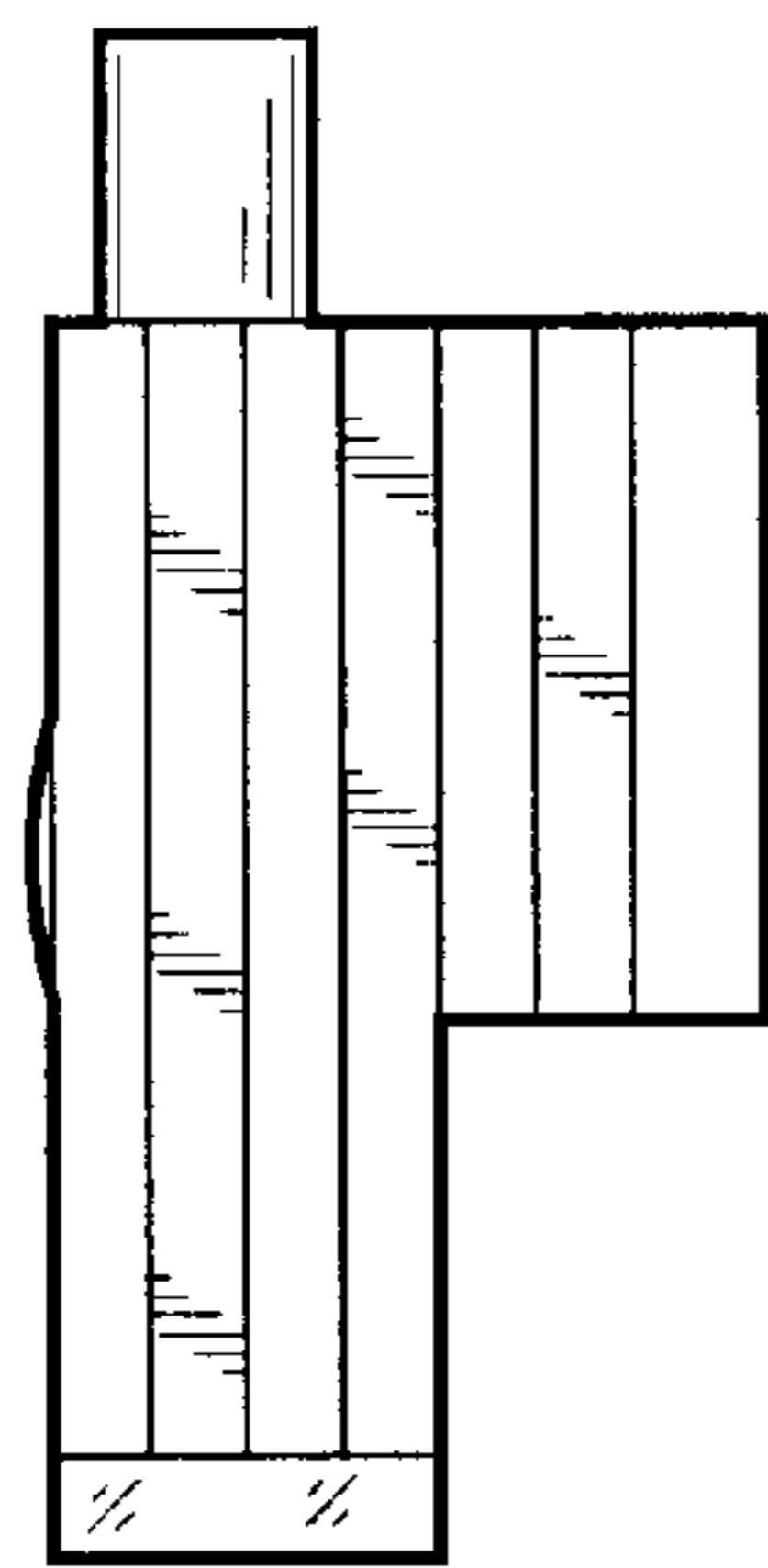


Fig. 6

