



US00D479830S

(12) **United States Design Patent**
Lee

(10) **Patent No.:** **US D479,830 S**

(45) **Date of Patent:** **** Sep. 23, 2003**

(54) **RADIATOR FOR HEAT GENERATING COMPONENTS IN ELECTRONIC EQUIPMENT**

(75) Inventor: **Sang-cheol Lee, Kunpo-si (KR)**

(73) Assignee: **Zalman Tech Co., Ltd. (KR)**

(**) Term: **14 Years**

(21) Appl. No.: **29/174,297**

(22) Filed: **Jan. 15, 2003**

(30) **Foreign Application Priority Data**

Jul. 20, 2002 (KR) 30-2002-0020975

(51) **LOC (7) Cl.** **13-03**

(52) **U.S. Cl.** **D13/179**

(58) **Field of Search** D13/179; 165/80.3, 165/104.14, 104.33, 121, 122, 180, 185; 174/16.3, 52.4; 206/713, 714, 715, 716, 727, 728; 257/706, 707, 718, 719, 720, 721, 727, 686; 361/271, 274.3, 697, 702, 704, 709, 710, 711

(56) **References Cited**

U.S. PATENT DOCUMENTS

5,943,209 A *	8/1999	Liu	361/695
6,289,975 B2 *	9/2001	Kuo	165/80.3
D455,407 S *	4/2002	Hanzlik et al.	D13/179
6,401,808 B1 *	6/2002	Hanzlik et al.	165/121
6,487,077 B1 *	11/2002	Lin	361/697
D466,871 S *	12/2002	Lee	D13/179

* cited by examiner

Primary Examiner—Ted Shooman
Assistant Examiner—Selina Sikder
(74) *Attorney, Agent, or Firm*—St. Onge Steward Johnston & Reens LLC

(57) **CLAIM**

I claim the ornamental design for a radiator for heat generating components in electronic equipment, as shown and described.

DESCRIPTION

FIG. 1 is a perspective view of a radiator for heat generating components in electronic equipment according to the present invention.

FIG. 2 is a front view of the radiator according to the present invention.

FIG. 3 is a rear view of the radiator according to the present invention.

FIG. 4 is a right side view of the radiator according to the present invention; the left side view of the radiator is a mirror image of FIG. 4.

FIG. 5 is a top plan view of the radiator according to the present invention.

FIG. 6 is a bottom plan view of the radiator according to the present invention; and,

FIG. 7 is a perspective view illustrating use of the radiator according to the present invention.

The broken lines in the FIG. 7 drawing view indicate environmental elements for illustrative purposes only and form no part of the claimed design.

1 Claim, 6 Drawing Sheets

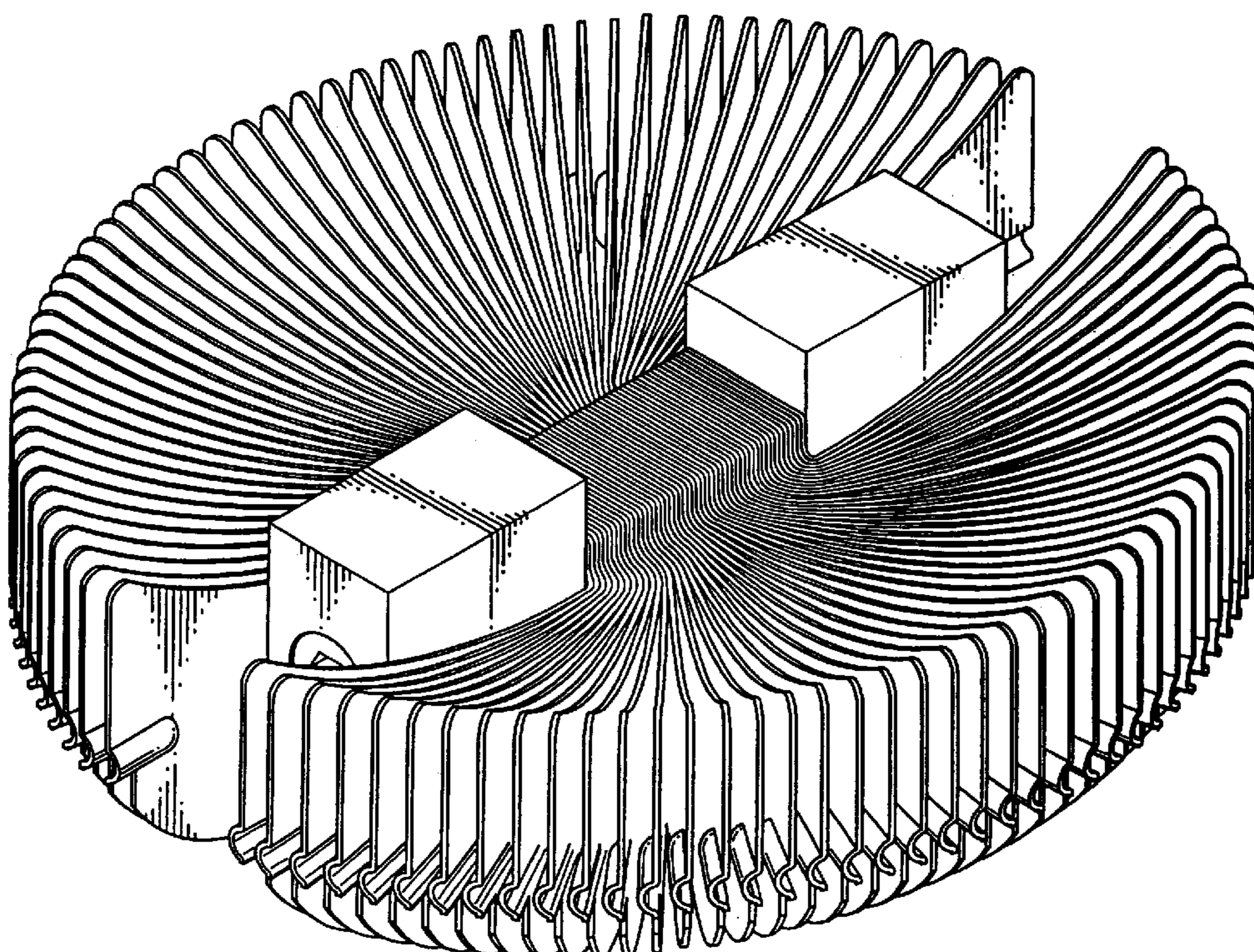


FIG. 1

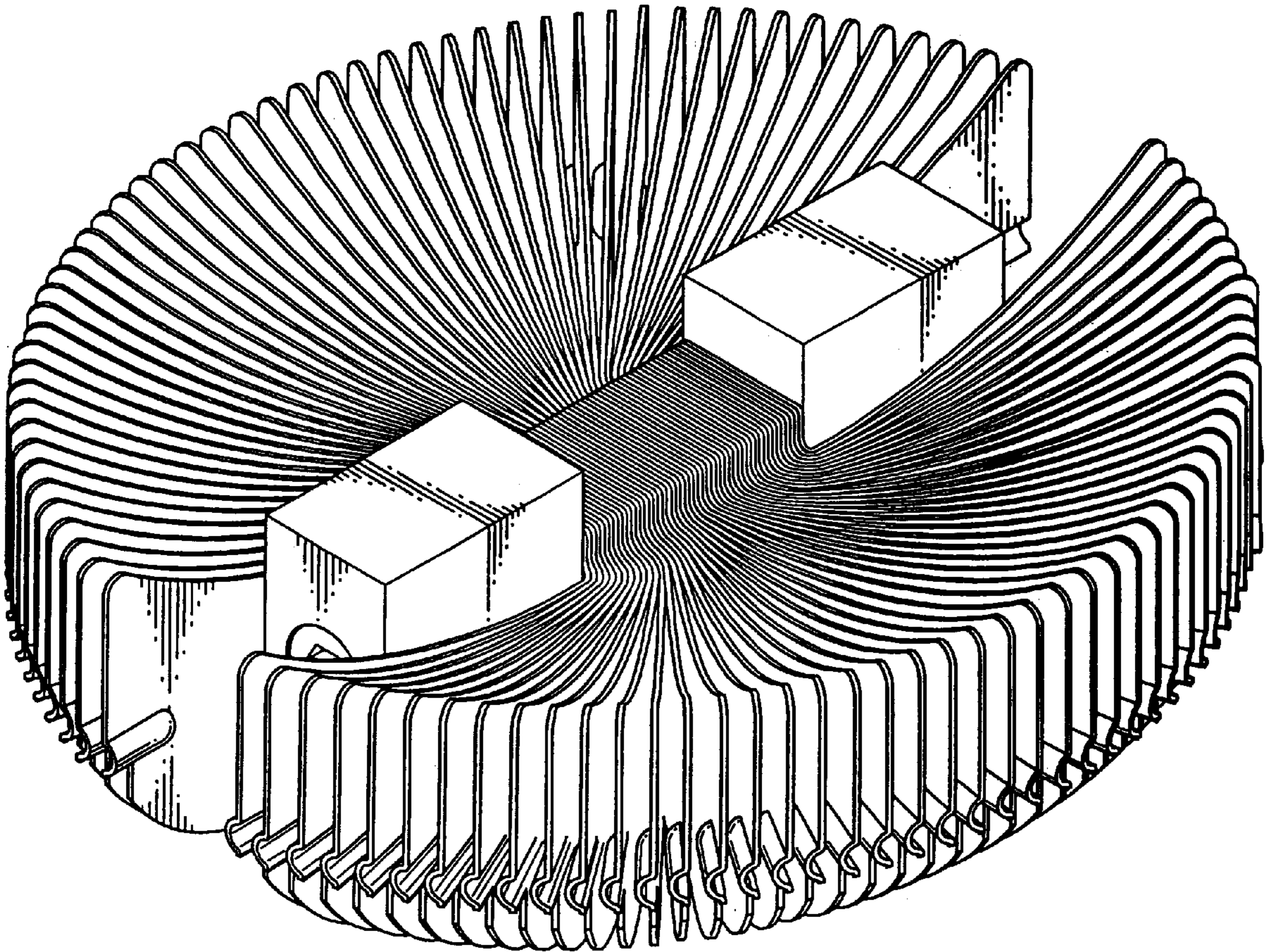


FIG. 2

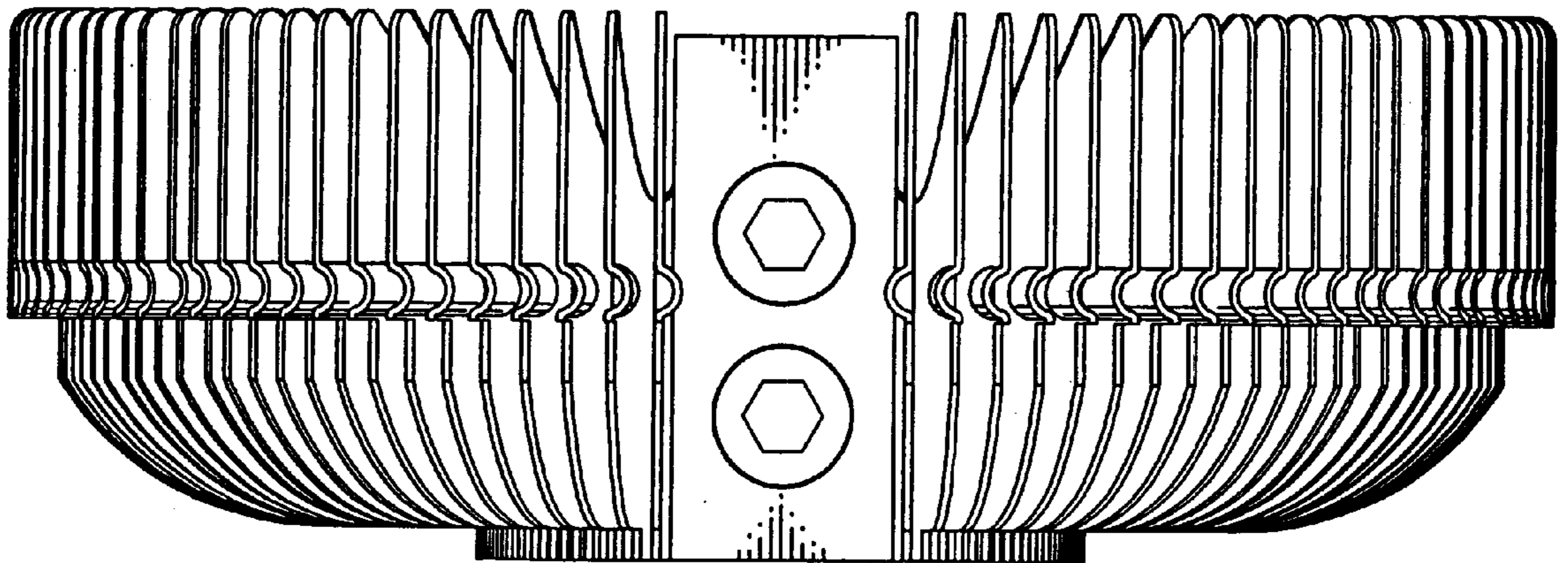


FIG. 3

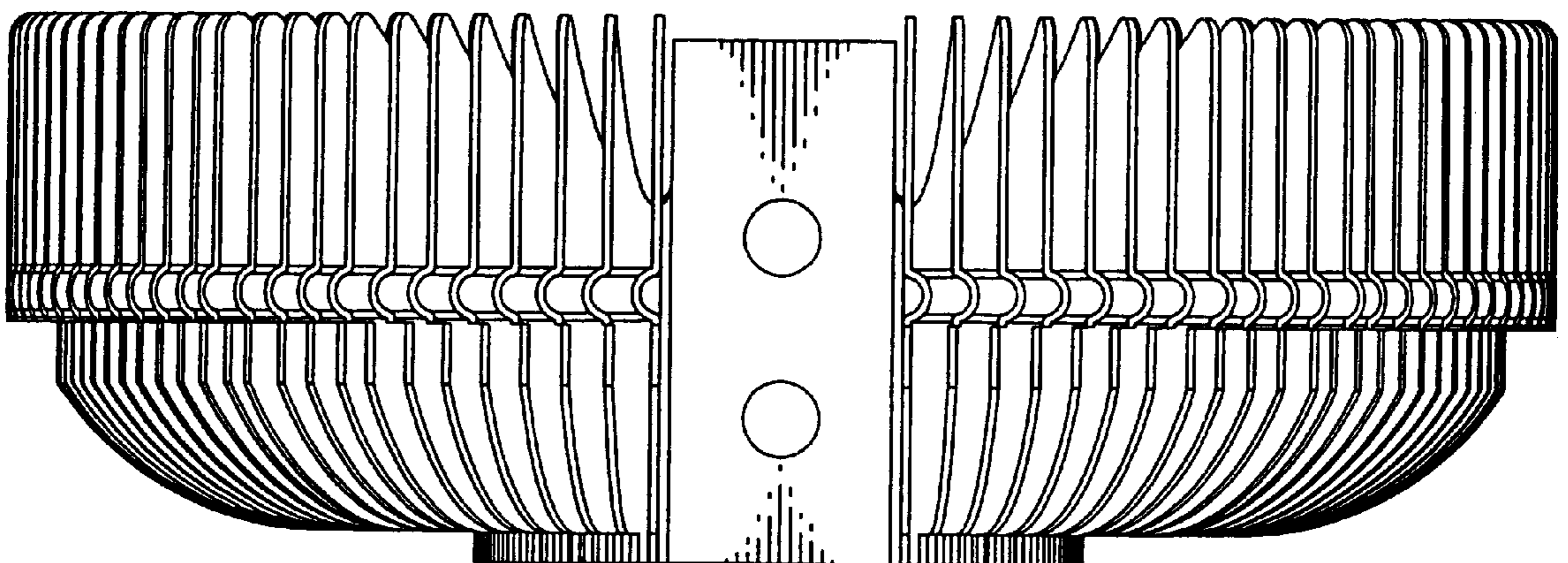


FIG. 4

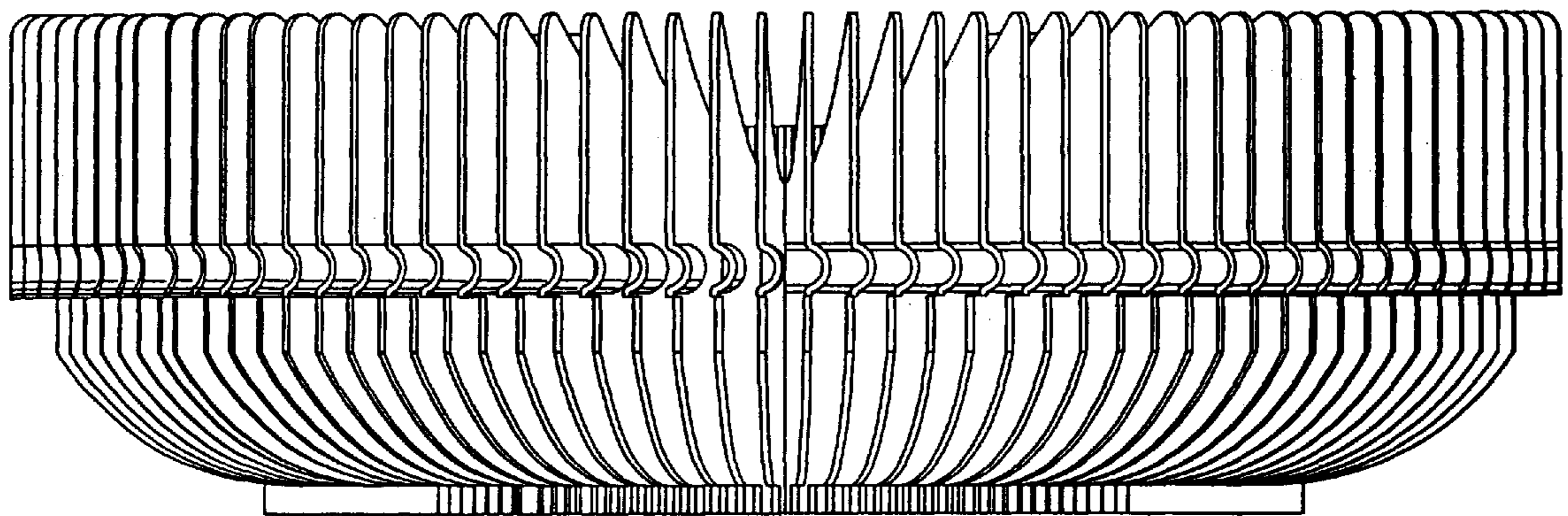


FIG. 5

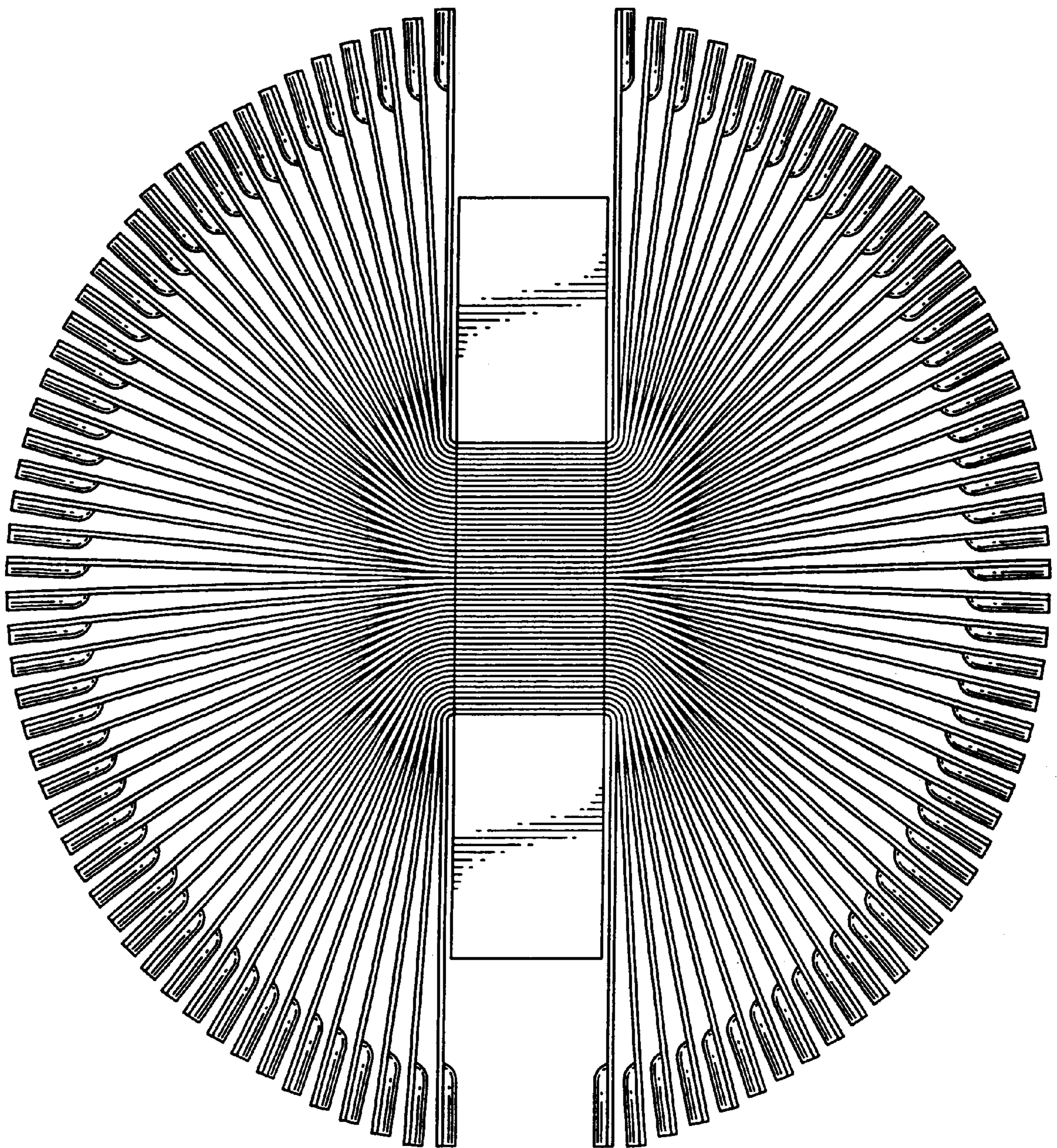
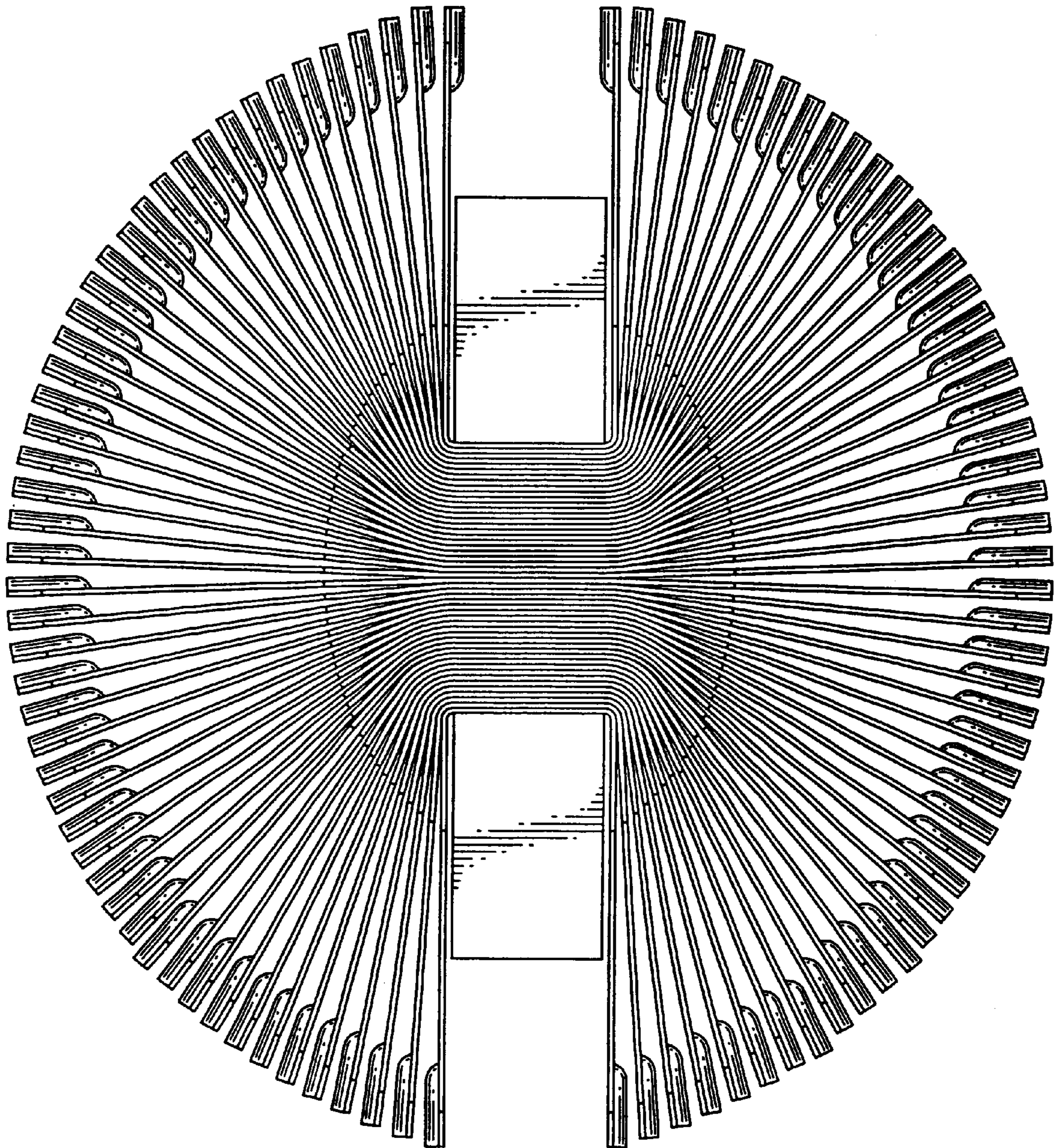


FIG. 6



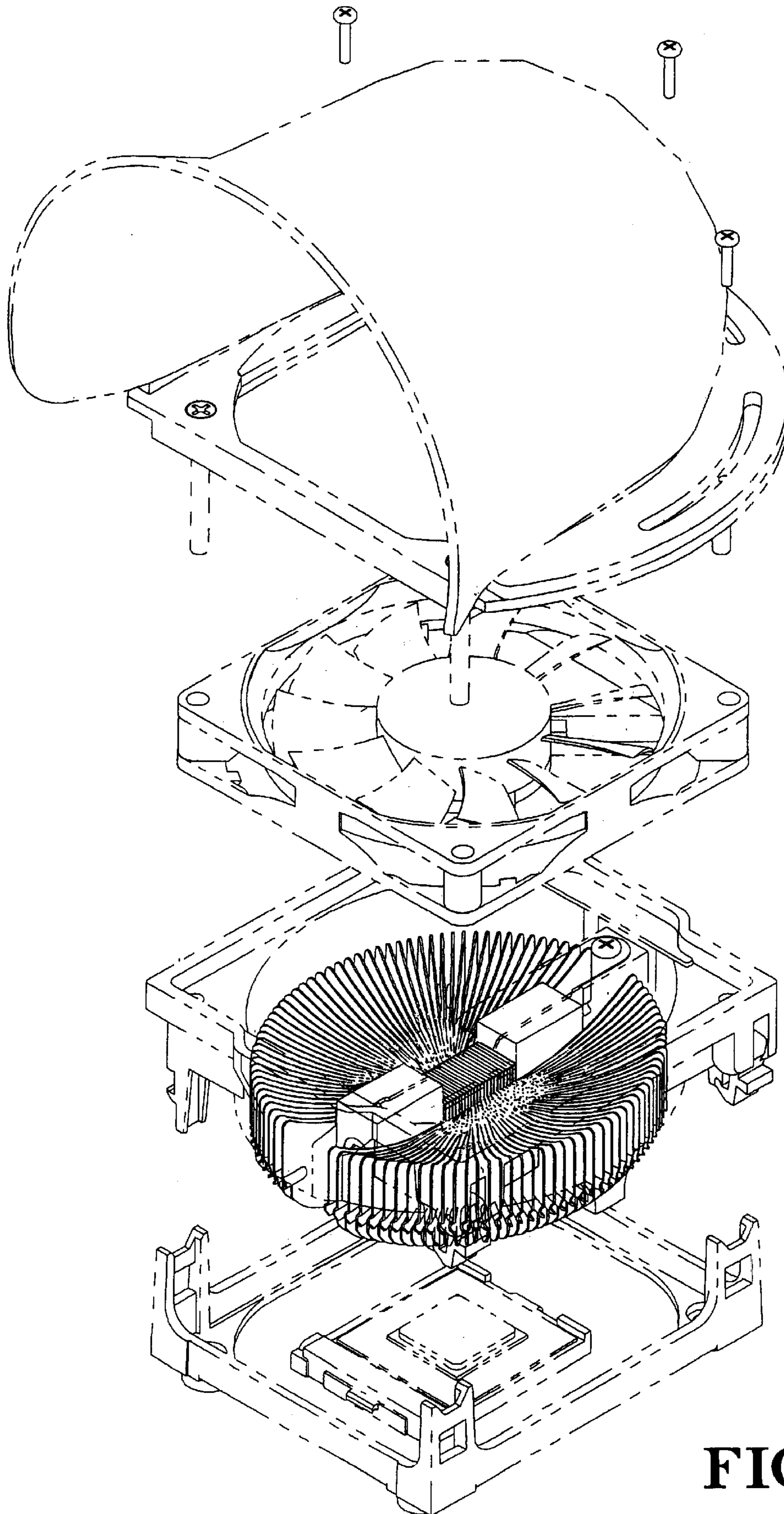


FIG. 7