



US00D479827S

(12) **United States Design Patent**  
**Kozu et al.**

(10) **Patent No.:** **US D479,827 S**  
(45) **Date of Patent:** **\*\* Sep. 23, 2003**

(54) **FUSE**

(75) **Inventors:** **Katsumi Kozu**, Hyogo (JP); **Takeshi Ishimaru**, Osaka (JP); **Masatoshi Izaki**, Miyazaki (JP); **Kenji Senda**, Fukui (JP)

(73) **Assignee:** **Matsushita Electric Industrial Co., Ltd.**, Osaka (JP)

(\*\*) **Term:** **14 Years**

(21) **Appl. No.:** **29/171,728**

(22) **Filed:** **Nov. 27, 2002**

(30) **Foreign Application Priority Data**  
 May 30, 2002 (JP) ..... 2002-014504

(51) **LOC (7) Cl.** ..... **13-03**

(52) **U.S. Cl.** ..... **D13/161**

(58) **Field of Search** ..... D13/160, 161,  
 D13/178; 200/275; 307/10.1, 10.8; 337/186,  
 198, 227, 228, 231, 234, 241; 439/607,  
 621

(56) **References Cited**

**U.S. PATENT DOCUMENTS**

3,829,808 A \* 8/1974 Blewitt et al. .... 337/186  
 4,494,104 A 1/1985 Holmes  
 5,097,247 A 3/1992 Doerrwaechter  
 D325,193 S \* 4/1992 Kudo ..... D13/161  
 5,426,411 A \* 6/1995 Pimpis et al. .... 337/186  
 5,905,426 A \* 5/1999 Douglass ..... 337/229  
 5,939,969 A 8/1999 Doerrwaechter et al.  
 D419,532 S \* 1/2000 Hibayashi ..... D13/161  
 6,067,004 A \* 5/2000 Hibayashi et al. .... 337/227  
 6,248,965 B1 \* 6/2001 Thomas ..... 200/240  
 6,373,370 B1 \* 4/2002 Darr et al. .... 337/243  
 6,373,371 B1 4/2002 Doerrwaechter et al.  
 6,448,882 B1 \* 9/2002 Inaba et al. .... 337/227

**FOREIGN PATENT DOCUMENTS**

GB 2205455 12/1988

JP 02-100221 4/1990  
 JP 04-73835 3/1992  
 JP 04-129123 4/1992  
 JP D1039766 5/1999  
 JP D1039766/1 5/1999  
 JP D1039766/2 5/1999  
 JP D1039766/3 5/1999  
 JP D1041782 6/1999  
 JP D1057596 1/2000  
 JP D1058484 1/2000  
 JP D1058485 1/2000  
 JP D1058484/1 3/2000  
 JP D1058484/2 3/2000  
 JP D1058485/1 3/2000  
 JP D1058485/2 3/2000  
 JP D1097986 1/2001  
 JP D1129089 12/2001  
 JP D1129574 12/2001

\* cited by examiner

*Primary Examiner*—Ted Shooman  
*Assistant Examiner*—Selina Sikder  
 (74) *Attorney, Agent, or Firm*—Brinks Hofer Gilson & Lione

(57) **CLAIM**

The ornamental design for a fuse, as shown and described.

**DESCRIPTION**

FIG. 1 is a front perspective view of a fuse of the present invention in which the broken line portion of the fuse in this and the following figures is for illustrative purposes only and forms no part of the claimed design;  
 FIG. 2 is a top view thereof;  
 FIG. 3 is a first side view thereof;  
 FIG. 4 is a bottom view thereof;  
 FIG. 5 is a second side view thereof;  
 FIG. 6 is a first side view thereof; and,  
 FIG. 7 is a second side view thereof.

**1 Claim, 2 Drawing Sheets**

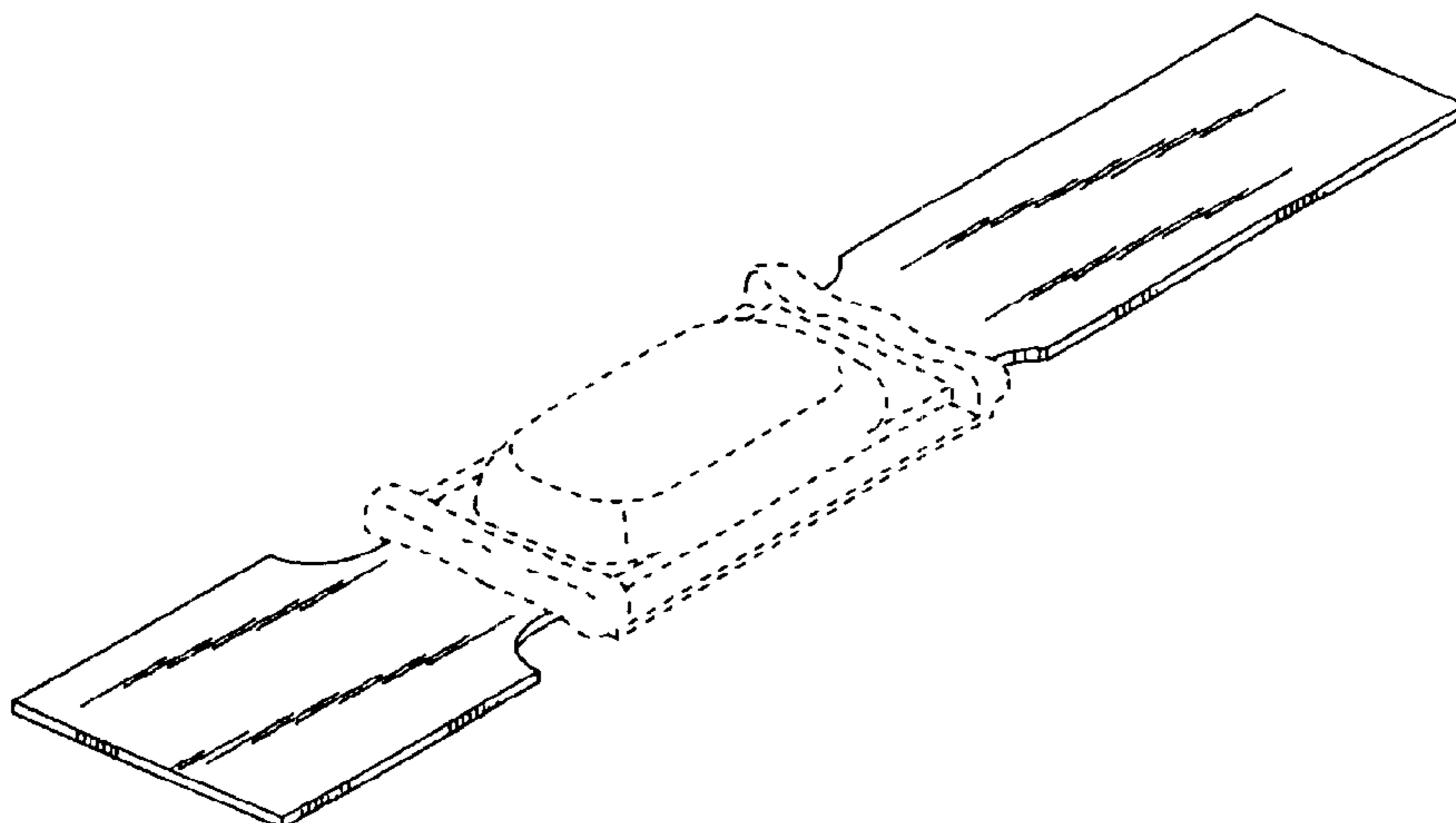


FIG 1

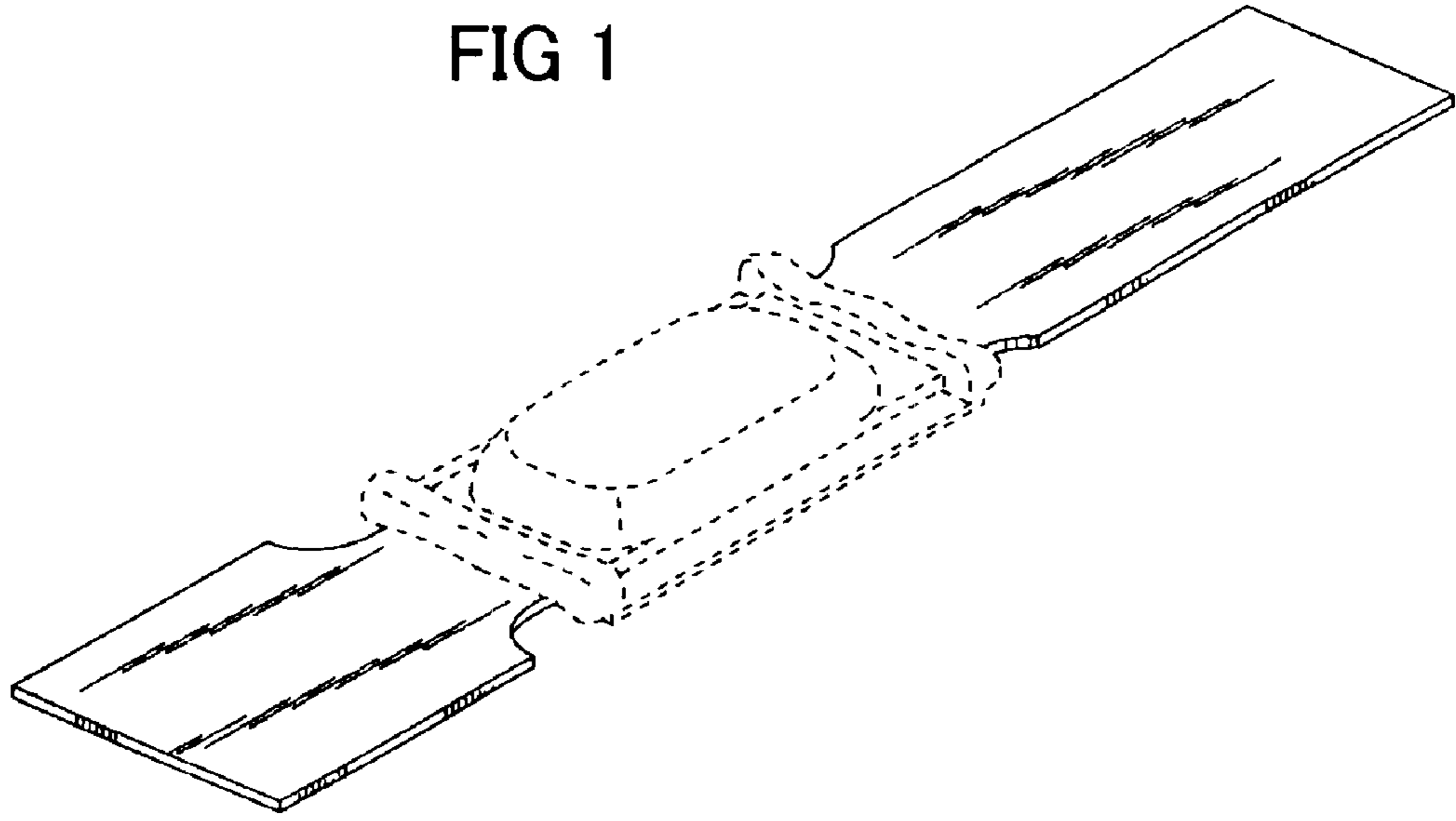


FIG 2

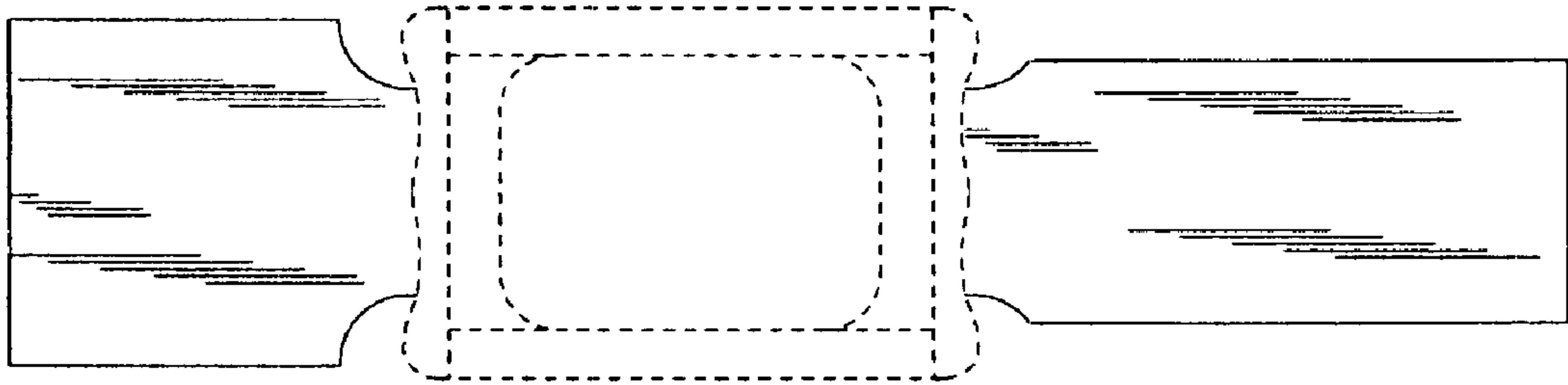


FIG 3

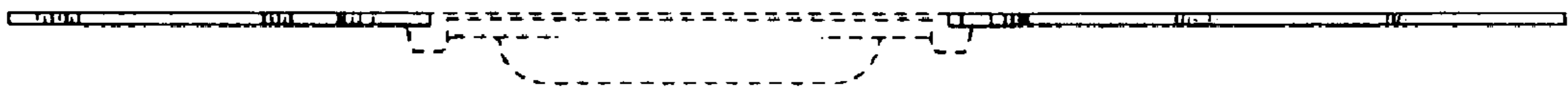


FIG 4

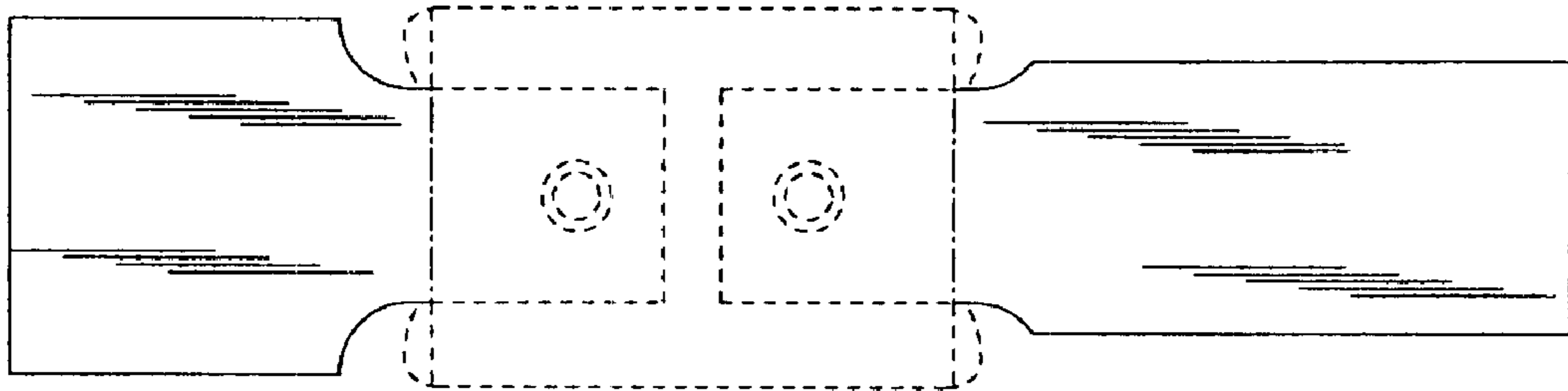


FIG 5

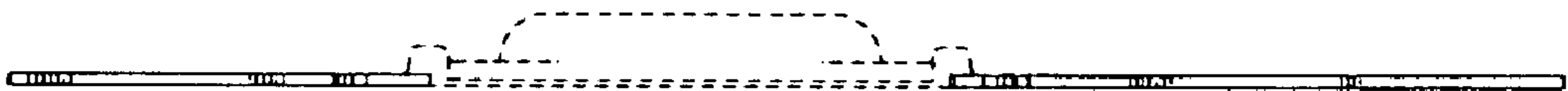


FIG 6



FIG 7

