



US00D479825S

(12) **United States Design Patent**  
**Hung**

(10) **Patent No.:** **US D479,825 S**

(45) **Date of Patent:** **\*\* Sep. 23, 2003**

(54) **SHUNT RECEPTACLE AND PLUG DEVICE**

D448,347 S \* 9/2001 Zoiss et al. .... D13/146  
6,369,999 B1 \* 4/2002 Wohlgenuth et al. .. 439/142 X

(76) Inventor: **Teng-Shun Hung**, 58, Ma Yuan West St., Taichung (TW)

\* cited by examiner

(\*\*) Term: **14 Years**

*Primary Examiner*—Joel Sincavage

(21) Appl. No.: **29/167,045**

(57) **CLAIM**

(22) Filed: **Sep. 5, 2002**

The ornamental design for a shunt receptacle and plug device, as shown and described.

(51) **LOC (7) Cl.** ..... **13-03**

**DESCRIPTION**

(52) **U.S. Cl.** ..... **D13/146**

(58) **Field of Search** ..... D13/133, 146,  
D13/147, 156; 439/136, 138, 142, 638,  
188, 507, 510

FIG. 1 is a perspective view of a shunt receptacle and plug device showing my new design;

FIG. 2 is a front elevational view thereof;

FIG. 3 is a rear elevational view thereof;

FIG. 4 is a left side elevational view thereof;

FIG. 5 is a right side elevational view thereof;

FIG. 6 is a top plan view thereof;

FIG. 7 is a bottom plan view thereof; and,

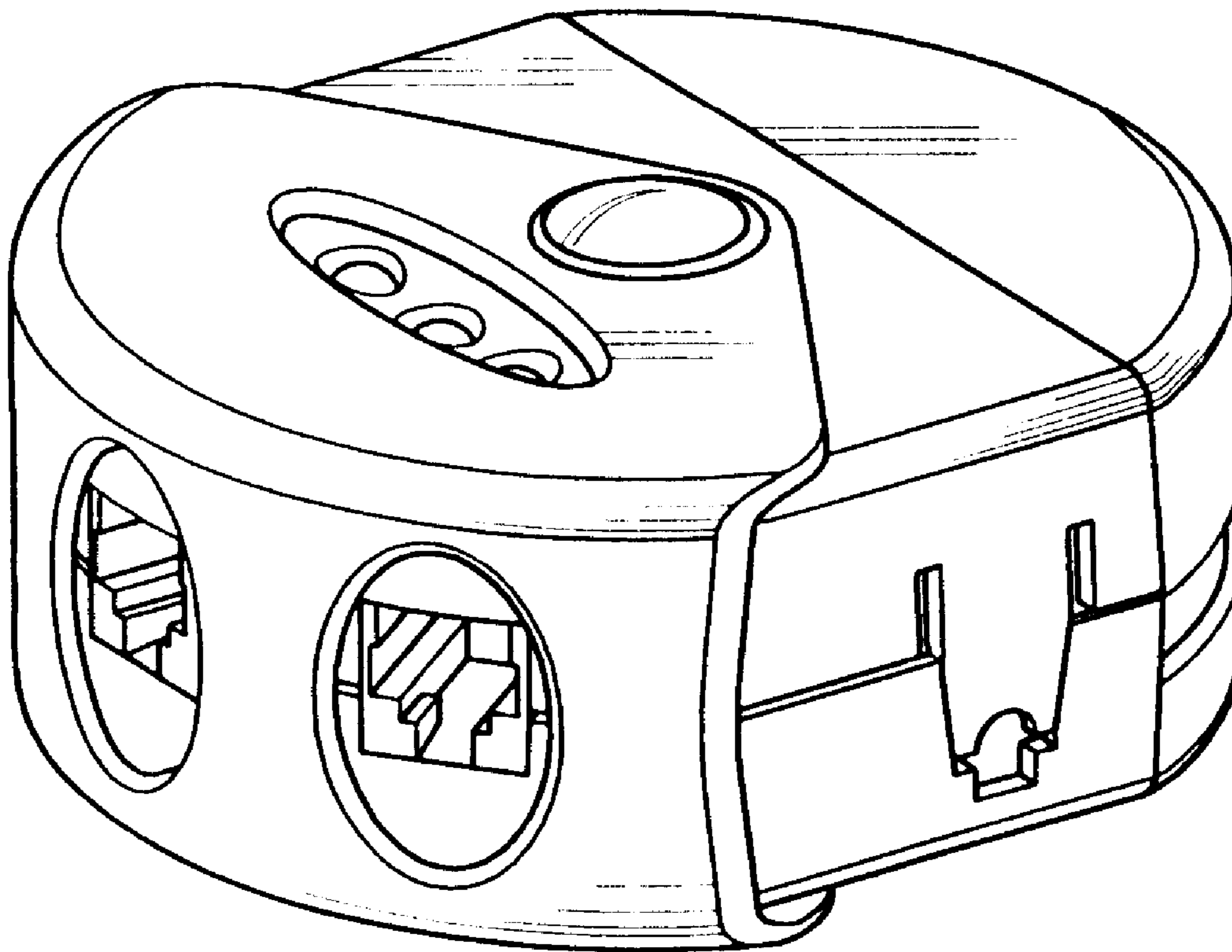
FIG. 8 is a perspective exploded view of a shunt receptacle and plug device showing my new design.

(56) **References Cited**

**U.S. PATENT DOCUMENTS**

5,050,211 A \* 9/1991 Dortu et al. .... 439/136 X  
D372,703 S \* 8/1996 Hannon et al. .... D13/146 X  
D399,826 S \* 10/1998 Byrne ..... D13/146  
D408,357 S \* 4/1999 Kichise ..... D13/146

**1 Claim, 5 Drawing Sheets**



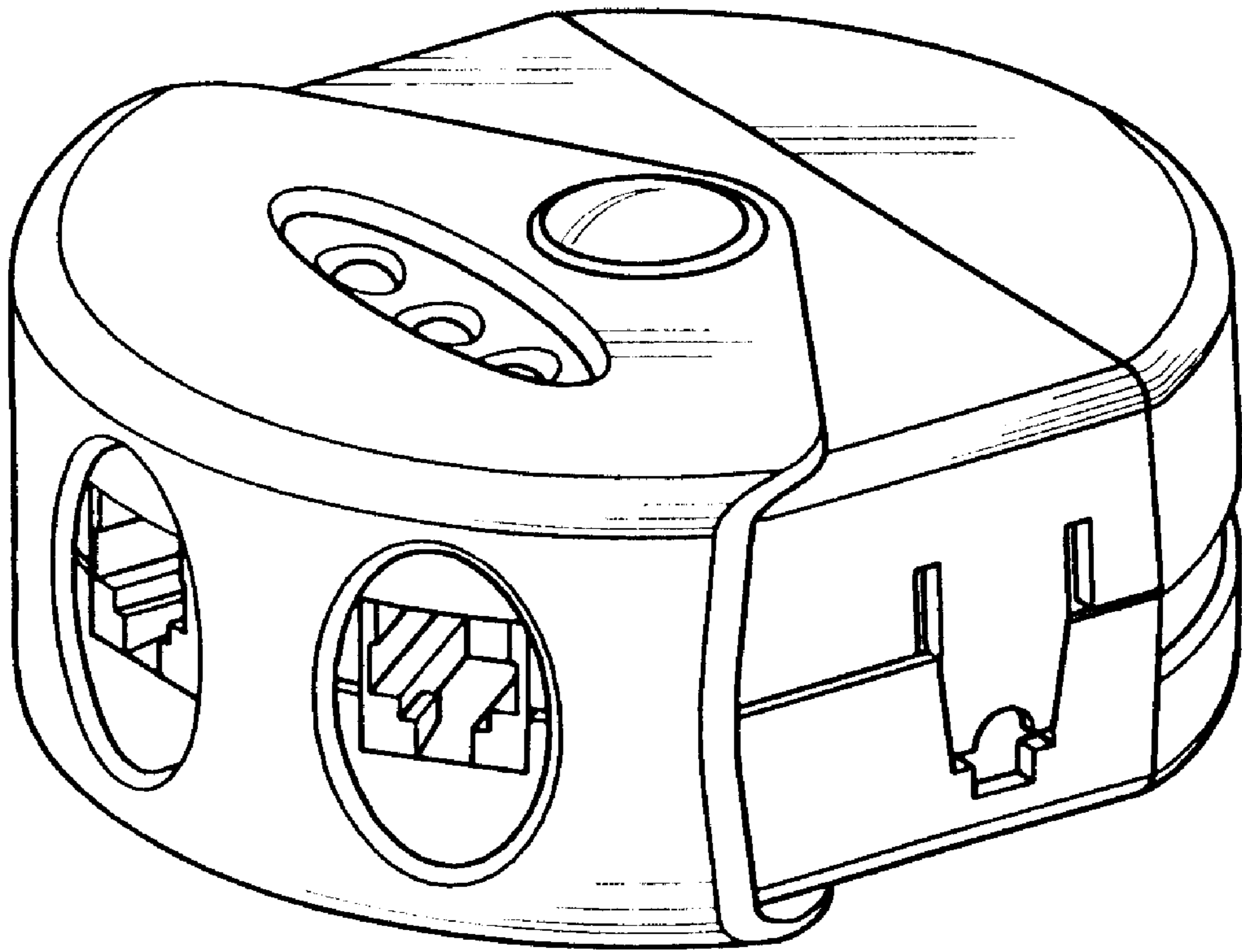


FIG. 1

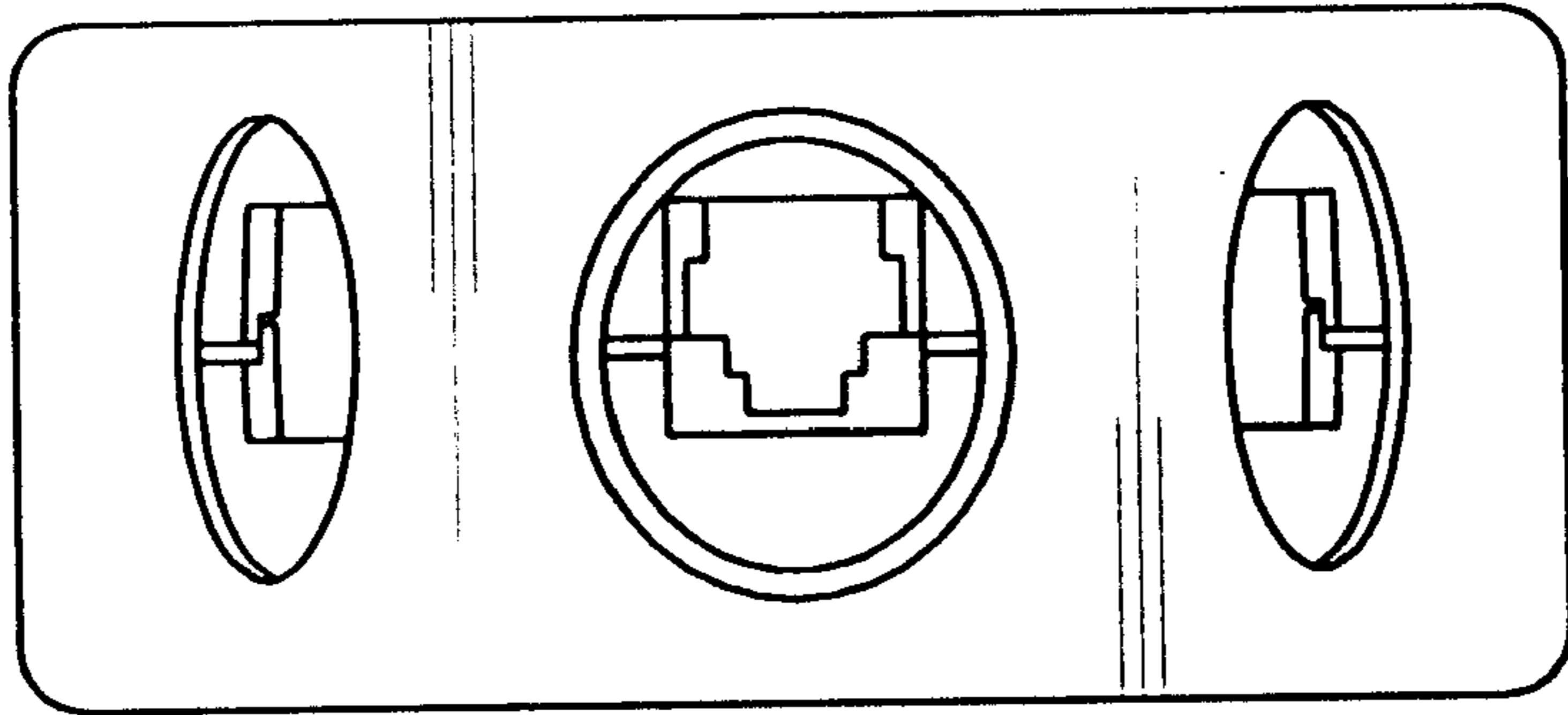


FIG. 2

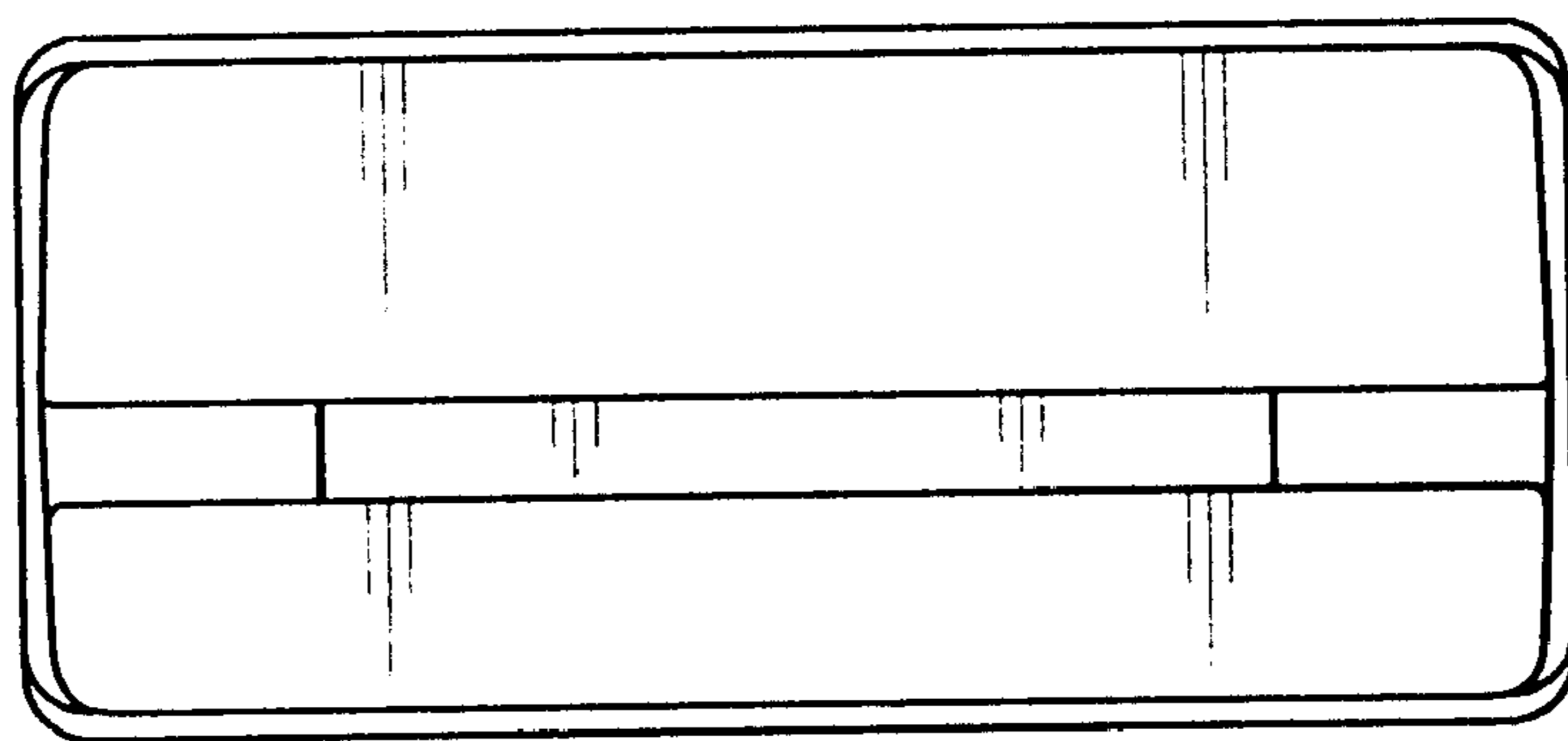


FIG. 3

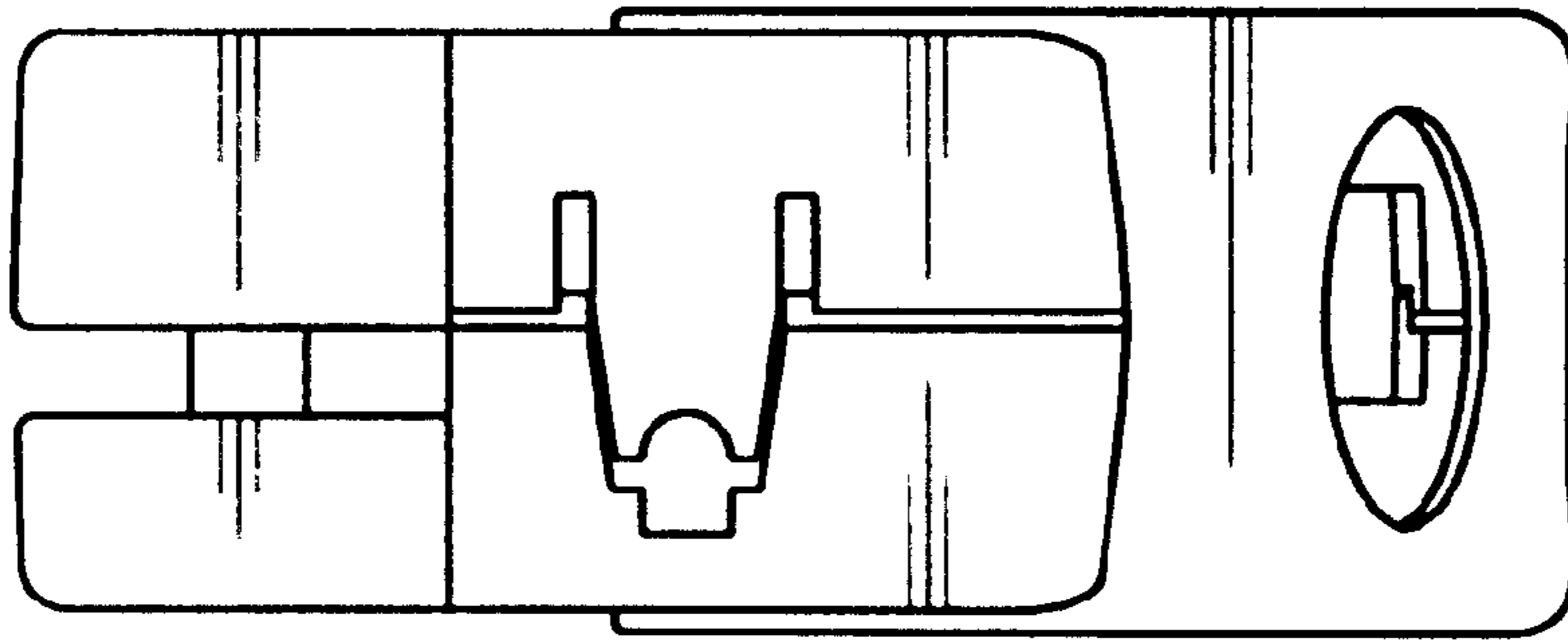


FIG. 4

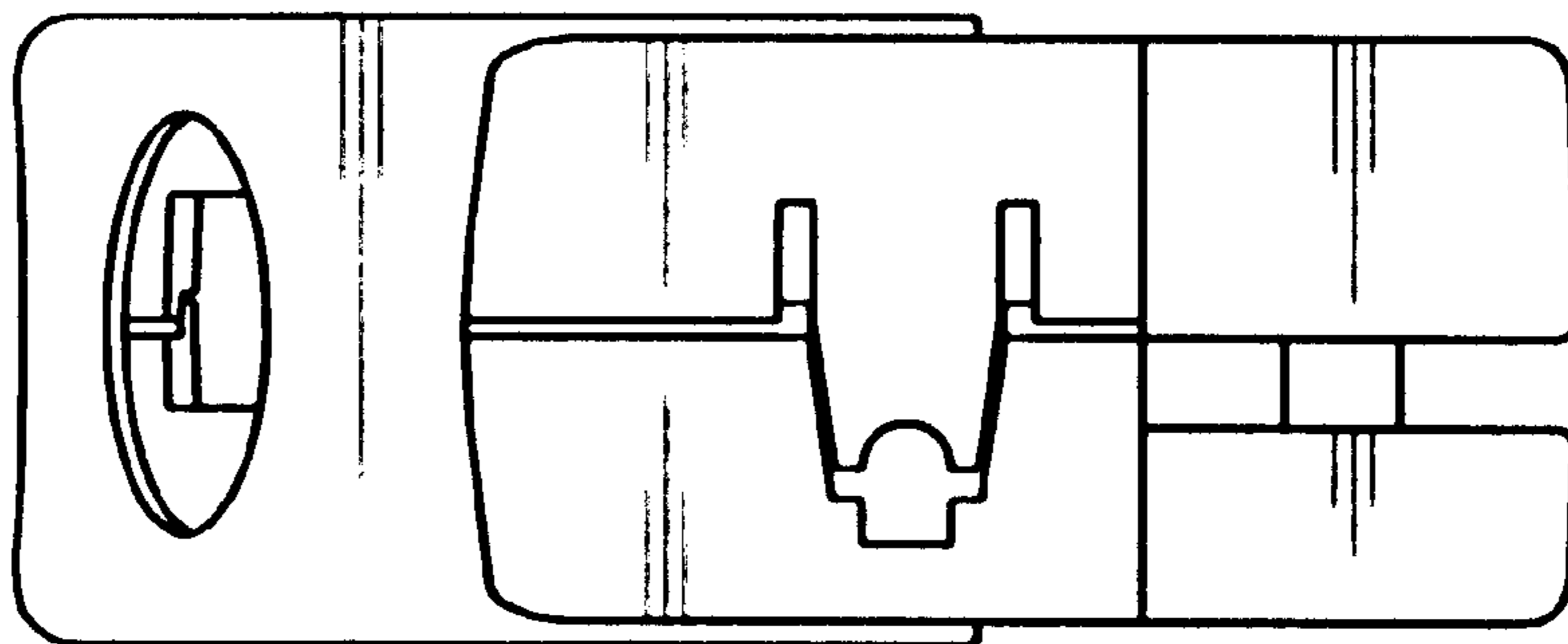


FIG. 5

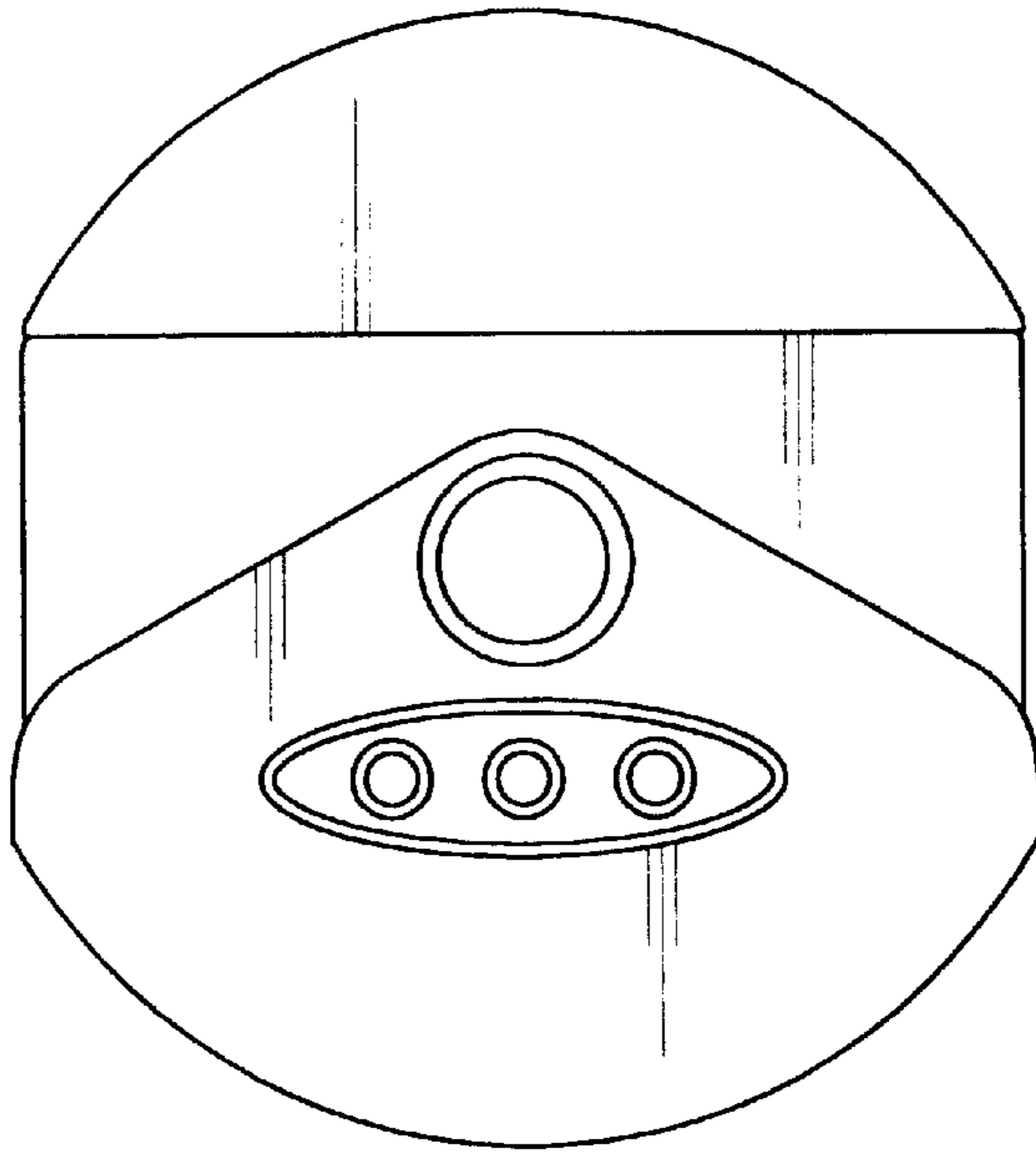


FIG. 6

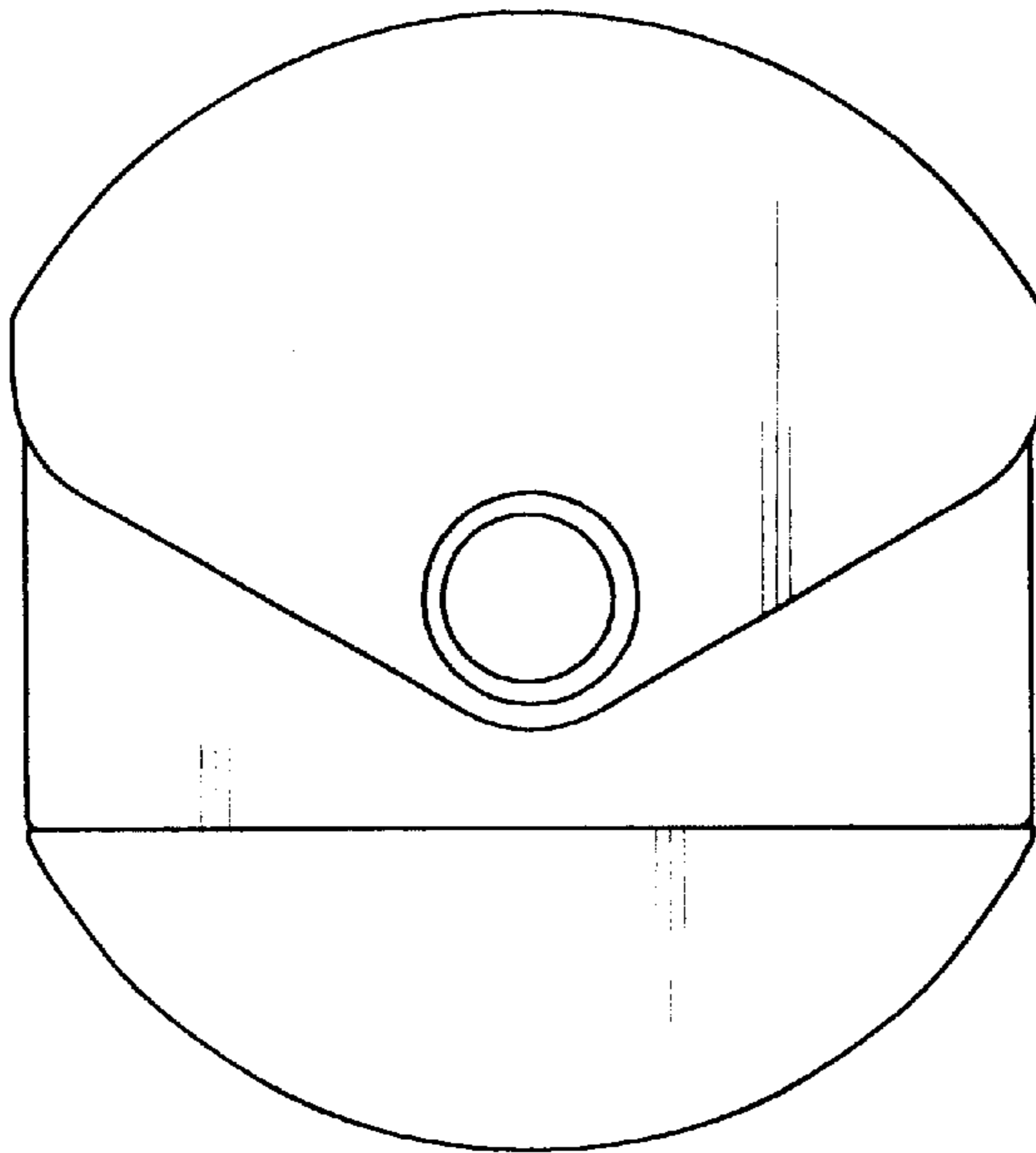
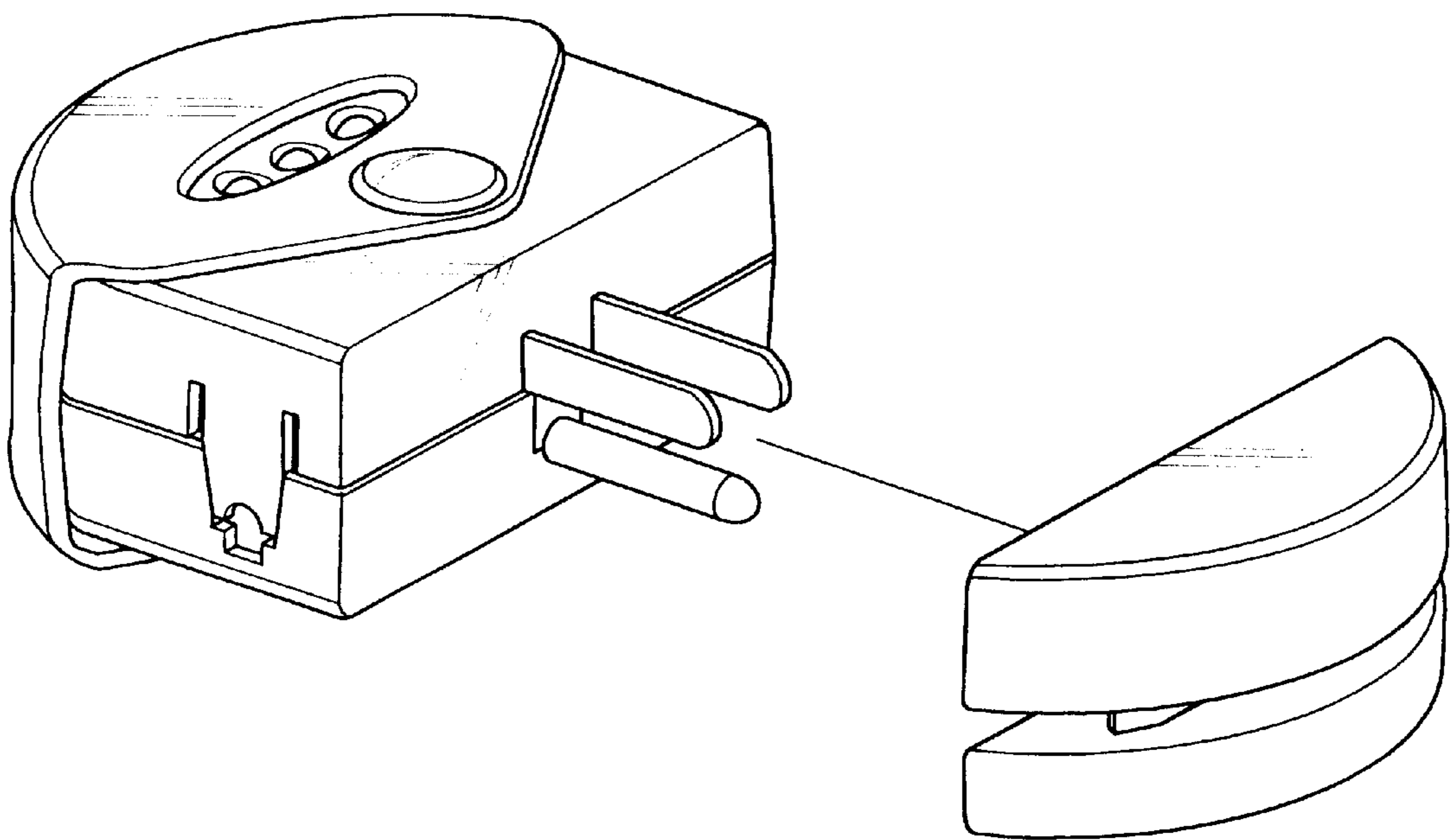


FIG. 7



F I G. 8