



US00D479820S

(12) **United States Design Patent**
Holm et al.

(10) **Patent No.:** **US D479,820 S**

(45) **Date of Patent:** **** Sep. 23, 2003**

(54) **AUTOMOTIVE VEHICLE QUAD TRAILER
HITCH ORNAMENT**

D456,321 S * 4/2002 Sammons et al. D12/162
D462,303 S * 9/2002 Swiggart D12/162
D464,295 S * 10/2002 Bonzer D12/162

(76) Inventors: **Timothy Holm**, 11939 Pascal Ave.,
Grand Terrace, CA (US) 92313; **Loretta
Holm**, 11939 Pascal Ave., Grand
Terrace, CA (US) 92313

* cited by examiner

Primary Examiner—Stacia Cadmus
(74) *Attorney, Agent, or Firm*—Charles H. Thomas

(**) Term: **14 Years**

(21) Appl. No.: **29/178,781**

(22) Filed: **Apr. 1, 2003**

(57) **CLAIM**

We claim the ornamental design for an automotive vehicle quad trailer hitch ornament, as shown and described.

Related U.S. Application Data

DESCRIPTION

(63) Continuation-in-part of application No. 29/177,149, filed on Mar. 3, 2003, which is a continuation-in-part of application No. 29/163,570, filed on Jul. 9, 2002, now abandoned.

FIG. 1 is perspective view of an automotive vehicle quad trailer hitch ornament showing my new design;

(51) **LOC (7) Cl.** **12-16**

FIG. 2 is a left side elevational view thereof;

(52) **U.S. Cl.** **D12/162**

FIG. 3 is a right side elevational view thereof;

(58) **Field of Search** D12/162, 400;

FIG. 4 is a rear view thereof;

280/504, 507, 511-514, 477-478, 415.1-417.1,
493-495, 491.3; 296/26.08

FIG. 5 is a front view thereof;

FIG. 6 is a top plan view thereof; and,

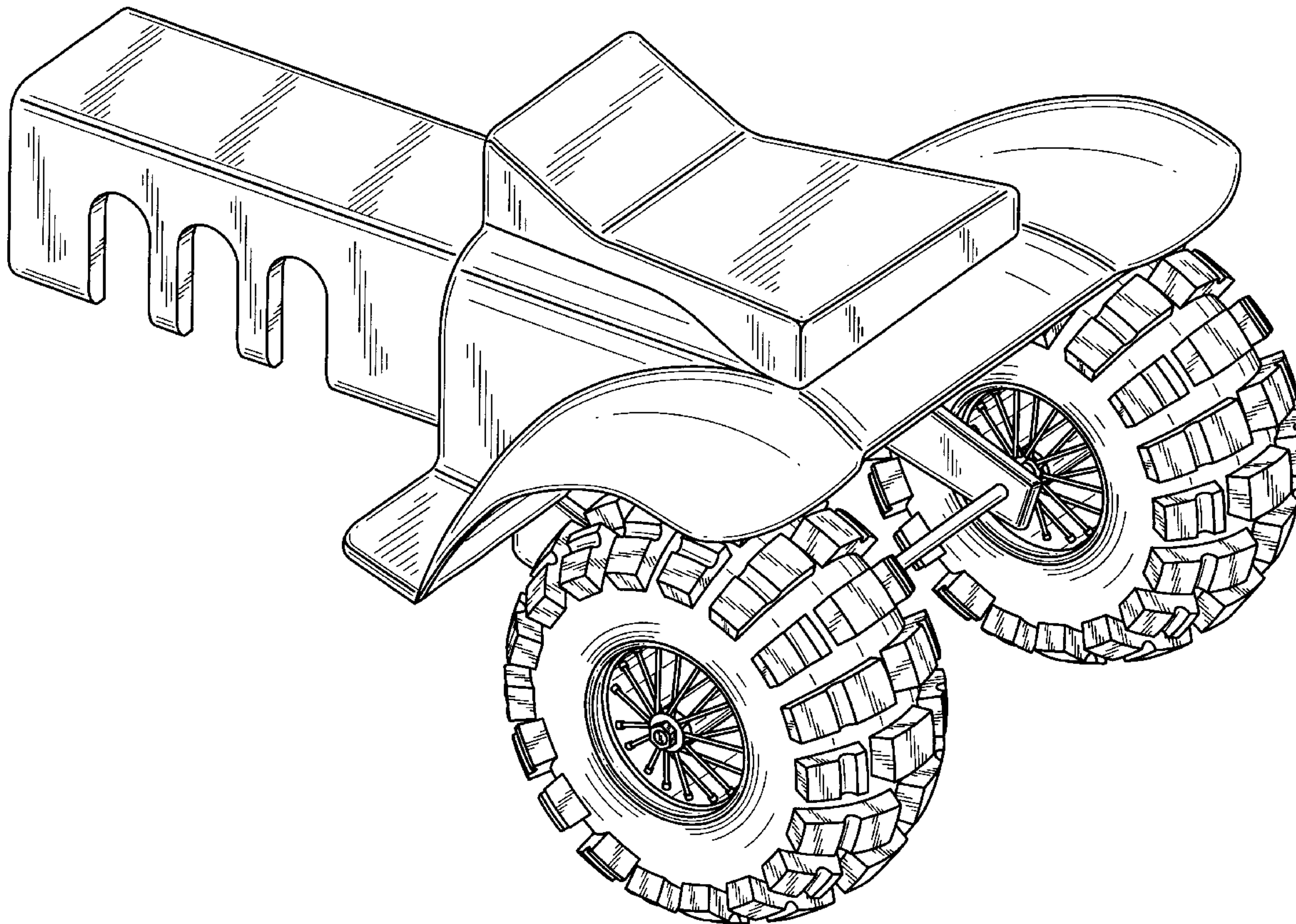
FIG. 7 is a bottom plan view thereof.

(56) **References Cited**

U.S. PATENT DOCUMENTS

D401,194 S * 11/1998 Harwood D12/162

1 Claim, 7 Drawing Sheets



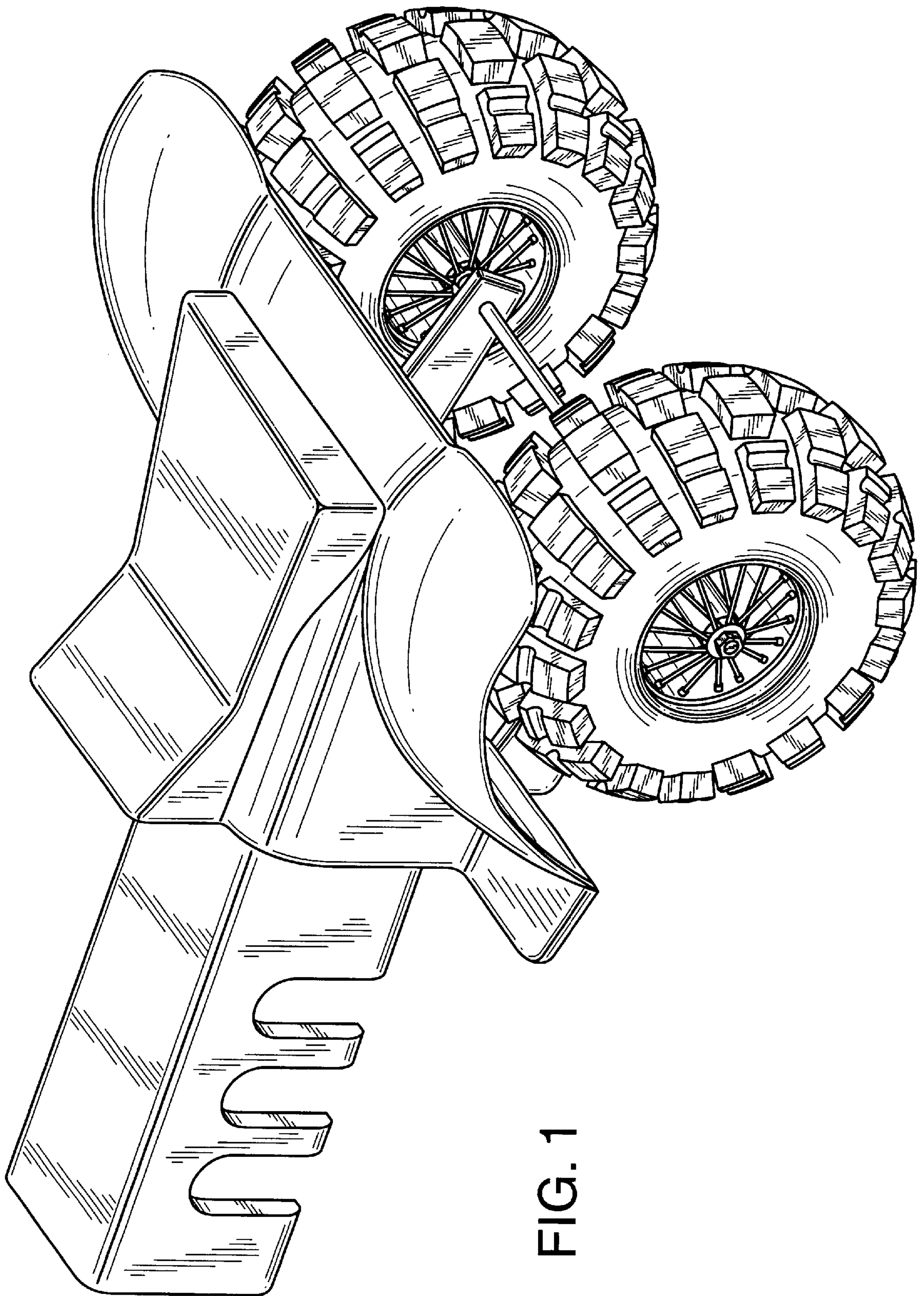
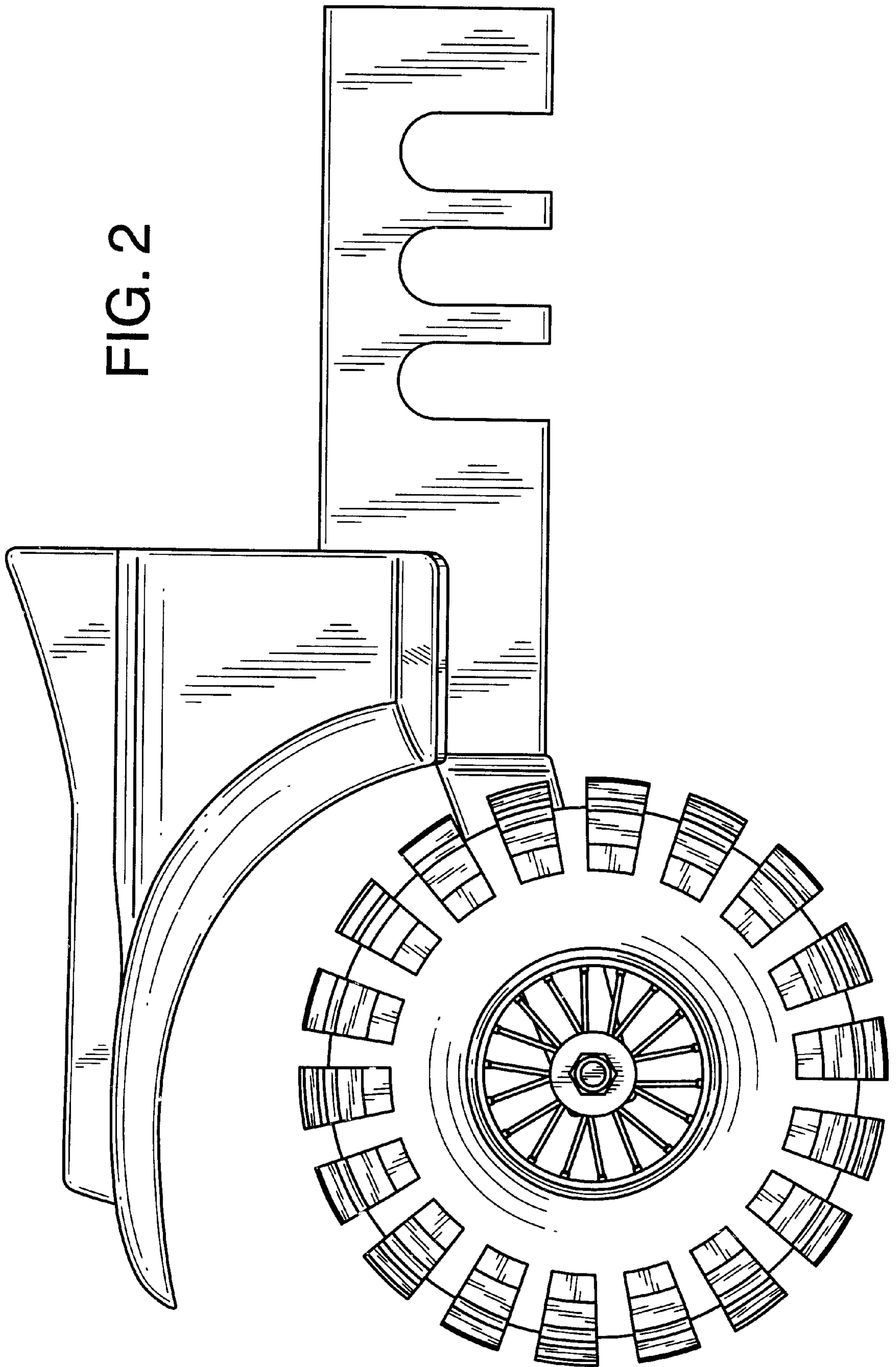


FIG. 1

FIG. 2



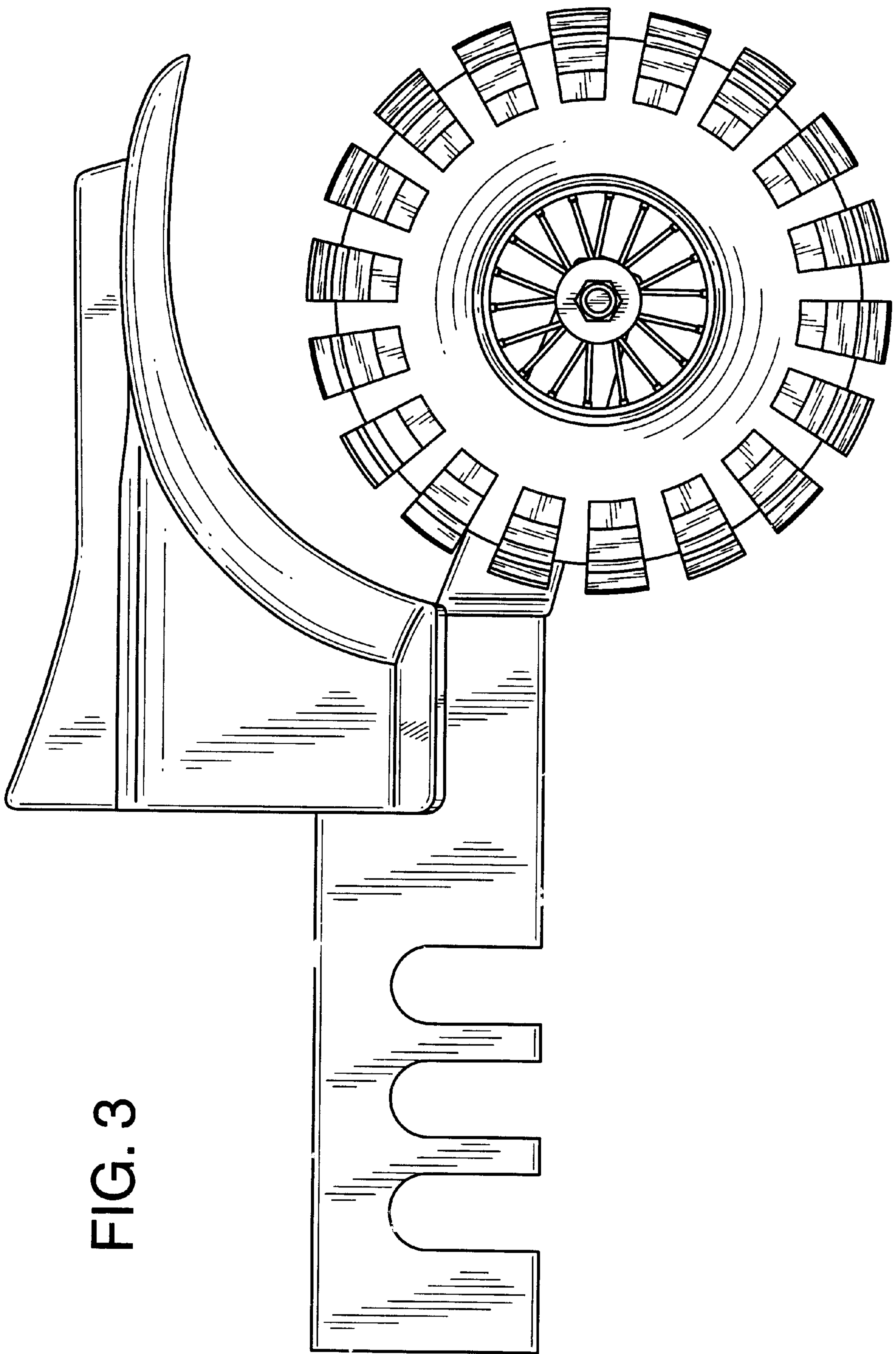


FIG. 3

FIG. 4

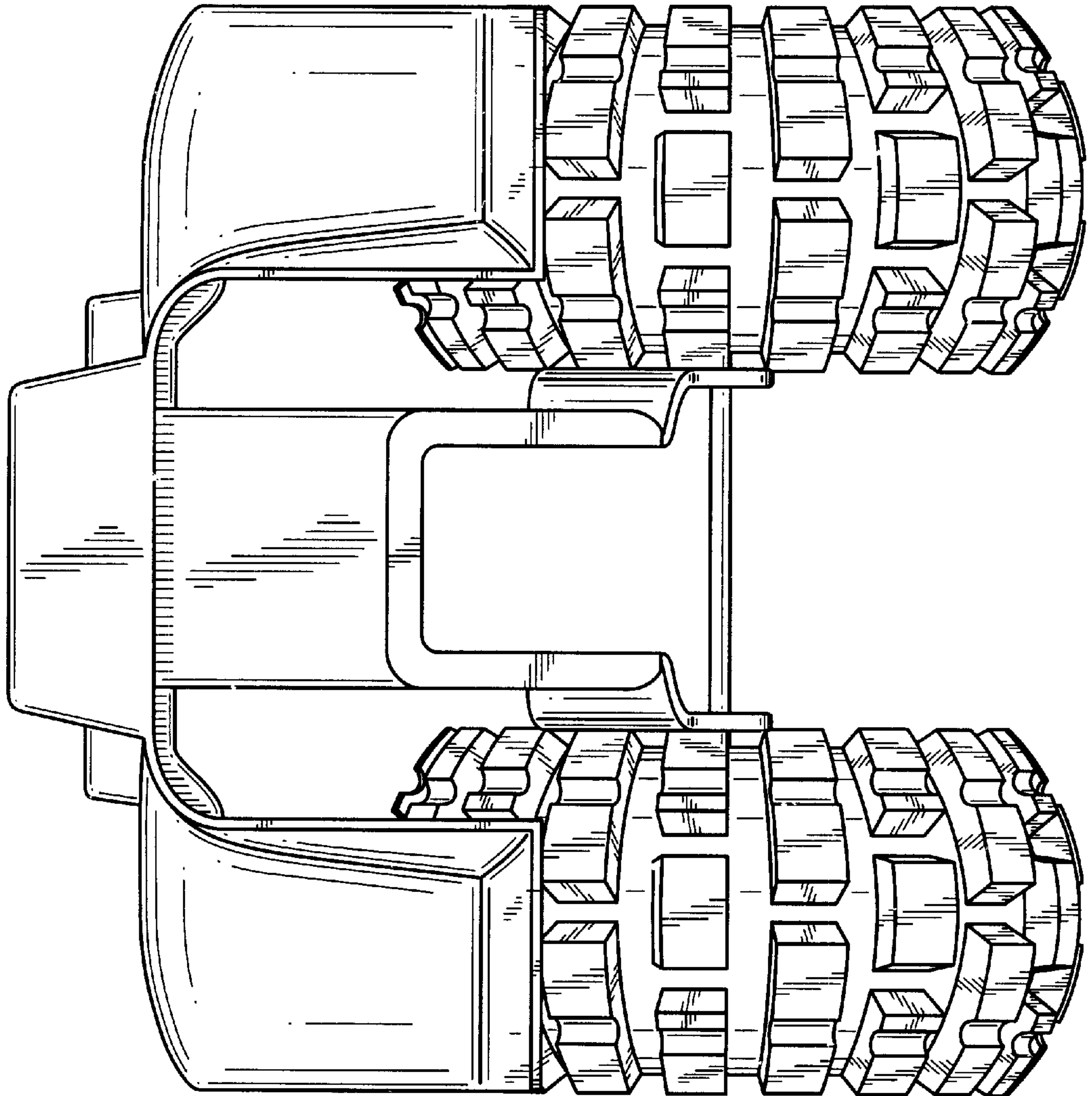
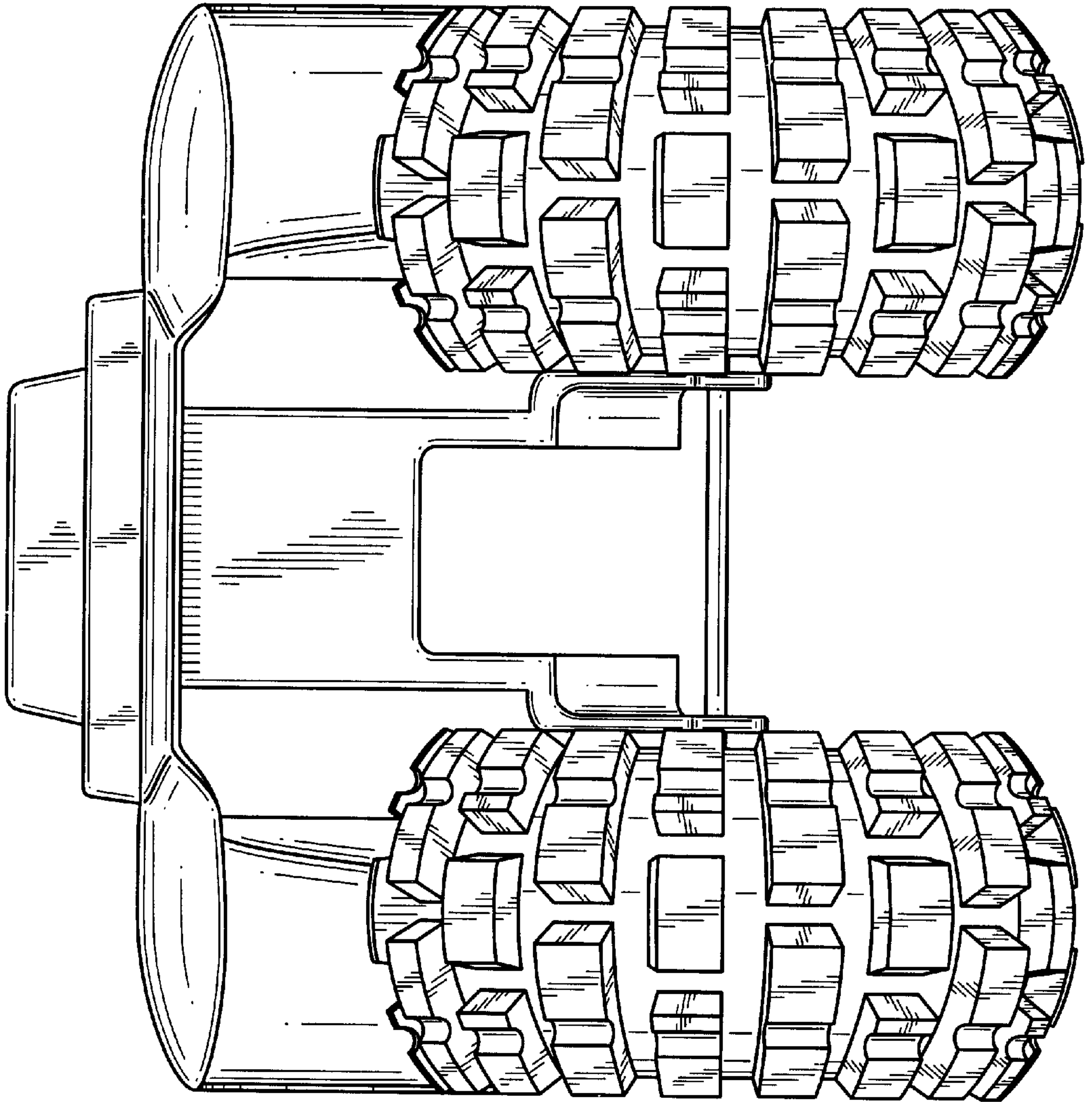


FIG. 5



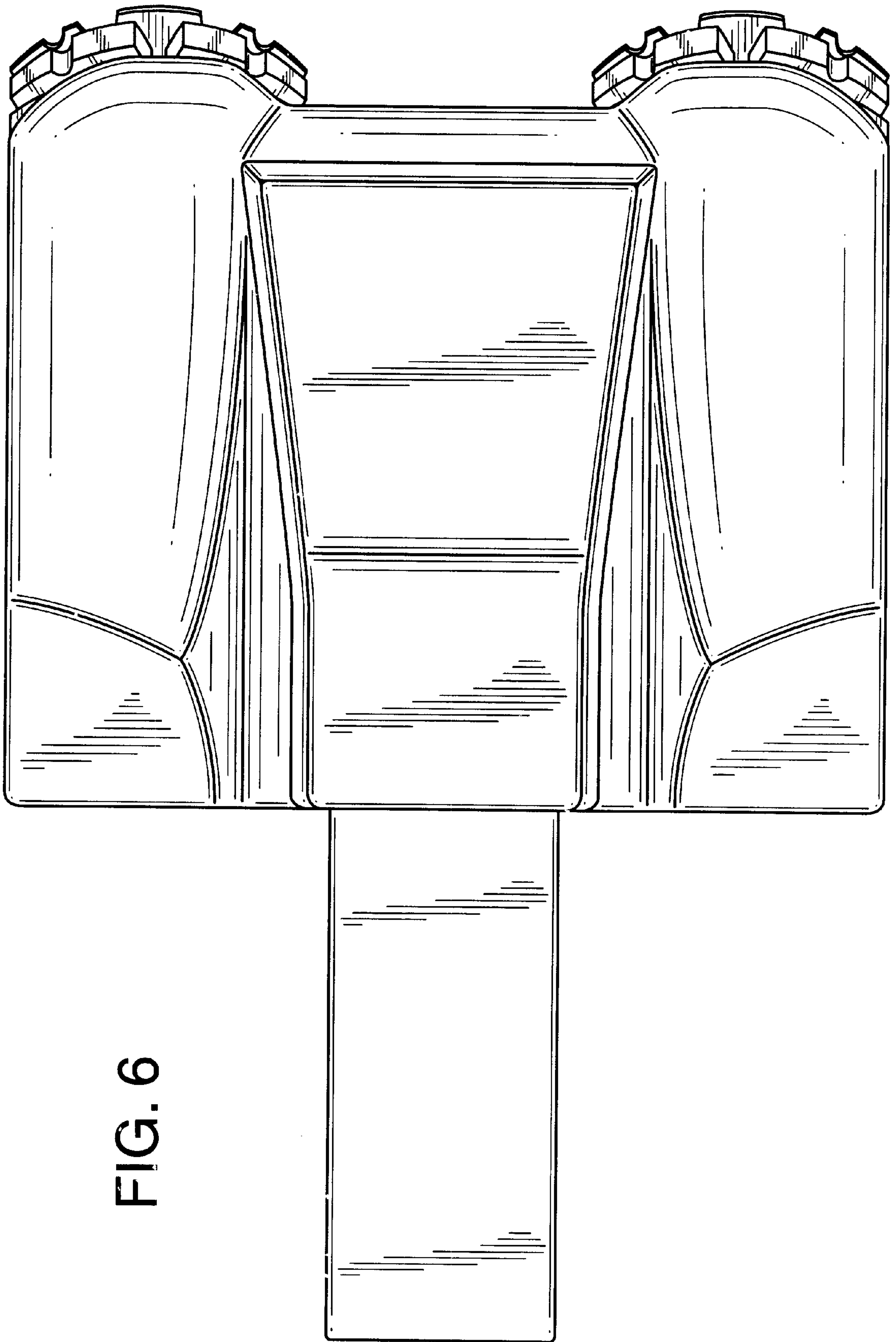


FIG. 6

FIG. 7

