



US00D479819S

(12) **United States Design Patent**  
**Arehart et al.**

(10) **Patent No.:** **US D479,819 S**

(45) **Date of Patent:** **\*\* Sep. 23, 2003**

(54) **HOLY BIBLE TRAILER HITCH COVER**

D430,520 S \* 9/2000 Benoun ..... D12/162  
D443,567 S \* 6/2001 Weir et al. .... D12/162  
D456,321 S \* 4/2002 Sammons et al. .... D12/162

(76) Inventors: **George Benjamin Arehart**, 200 Ben  
Alex Ct., Antioch, TN (US) 37013;  
**Craig Mulliniks**, 1315 Gaywinds Dr.,  
Mt Juliet, TN (US) 37122

\* cited by examiner

*Primary Examiner*—Stacia Cadmus

(\*\*) Term: **14 Years**

(57) **CLAIM**

(21) Appl. No.: **29/178,293**

The ornamental design for a Holy Bible trailer hitch cover,  
as shown and described.

(22) Filed: **Mar. 25, 2003**

**DESCRIPTION**

(51) **LOC (7) Cl.** ..... **12-16**

(52) **U.S. Cl.** ..... **D12/162**

(58) **Field of Search** ..... D12/162, 400;  
280/504, 507, 511–514, 477–478, 415.1–417.1,  
493–495, 491.3; 296/26.08

FIG. 1 is a perspective view of a Holy Bible trailer hitch cover showing our new design;  
FIG. 2 is an enlarged front elevation view thereof;  
FIG. 3 is an enlarged top plain view thereof;  
FIG. 4 is an enlarged left side elevation thereof;  
FIG. 5 is an enlarged side view thereof;  
FIG. 6 is an enlarged rear plain view thereof; and,  
FIG. 7 is an enlarged rear view thereof.

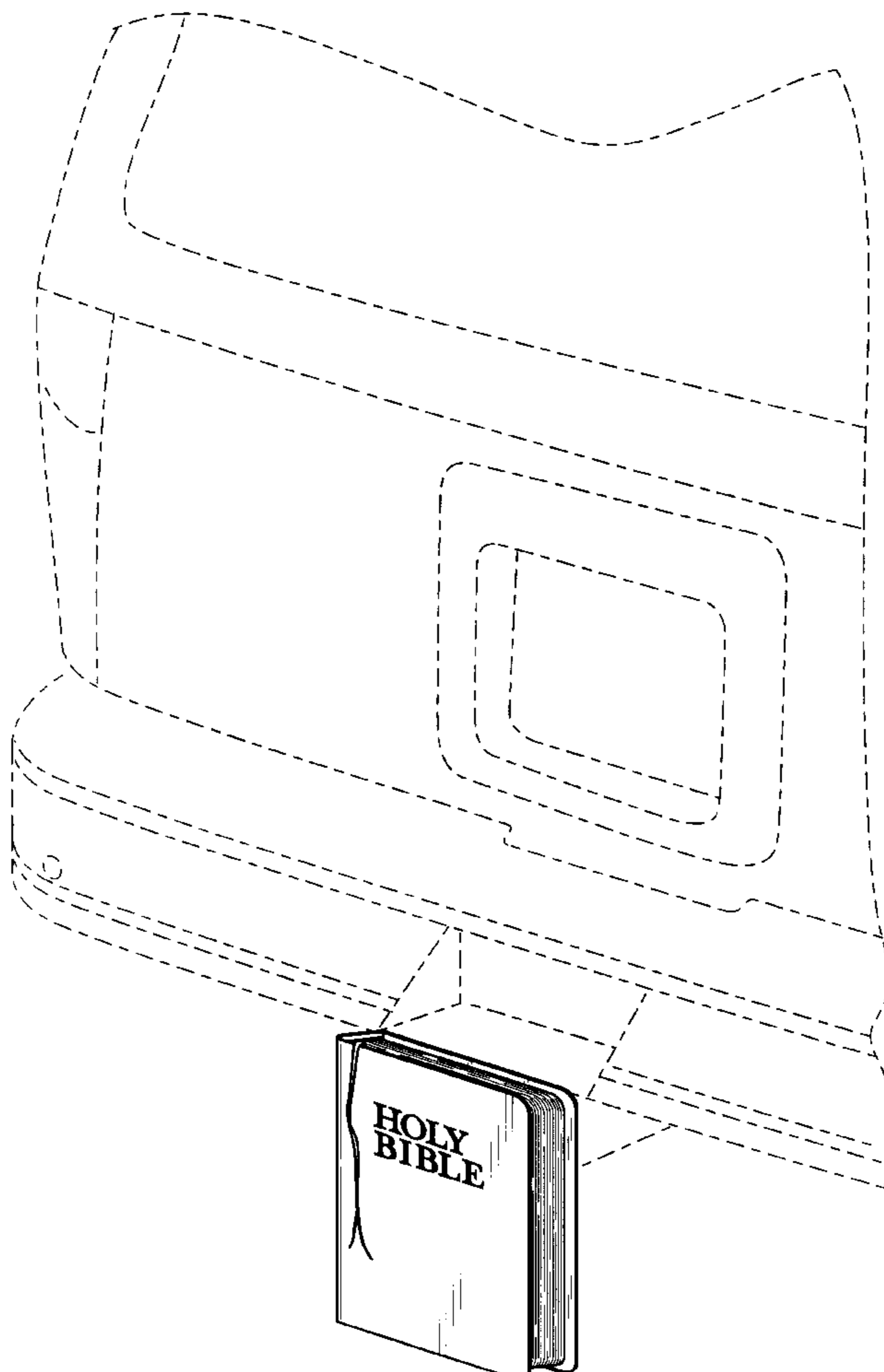
(56) **References Cited**

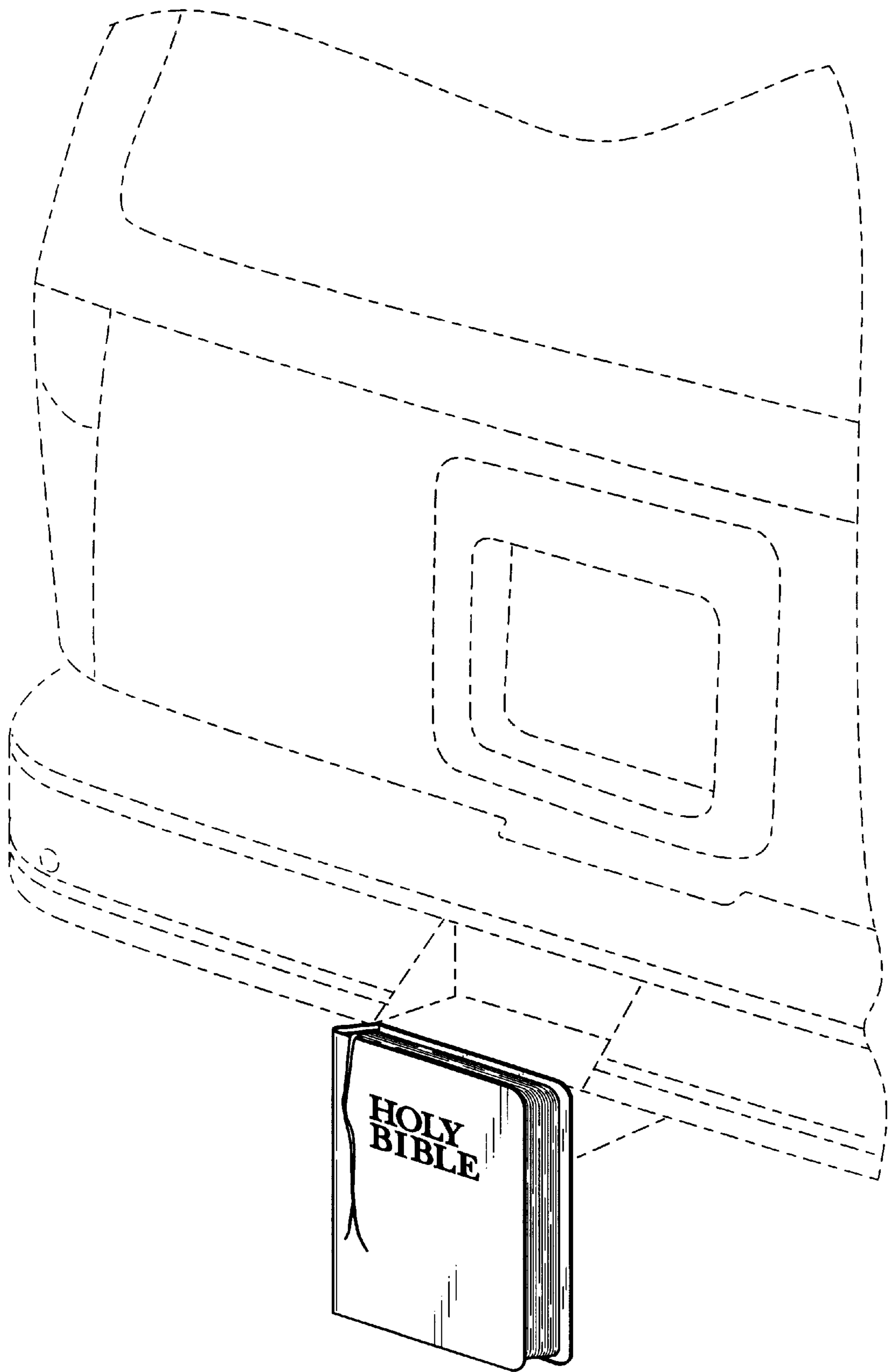
**U.S. PATENT DOCUMENTS**

D401,194 S \* 11/1998 Harwood ..... D12/162  
D404,349 S \* 1/1999 Julian ..... D12/162  
D413,291 S \* 8/1999 Corns, Jr. .... D12/162  
D428,839 S \* 8/2000 Horowitz ..... D12/162

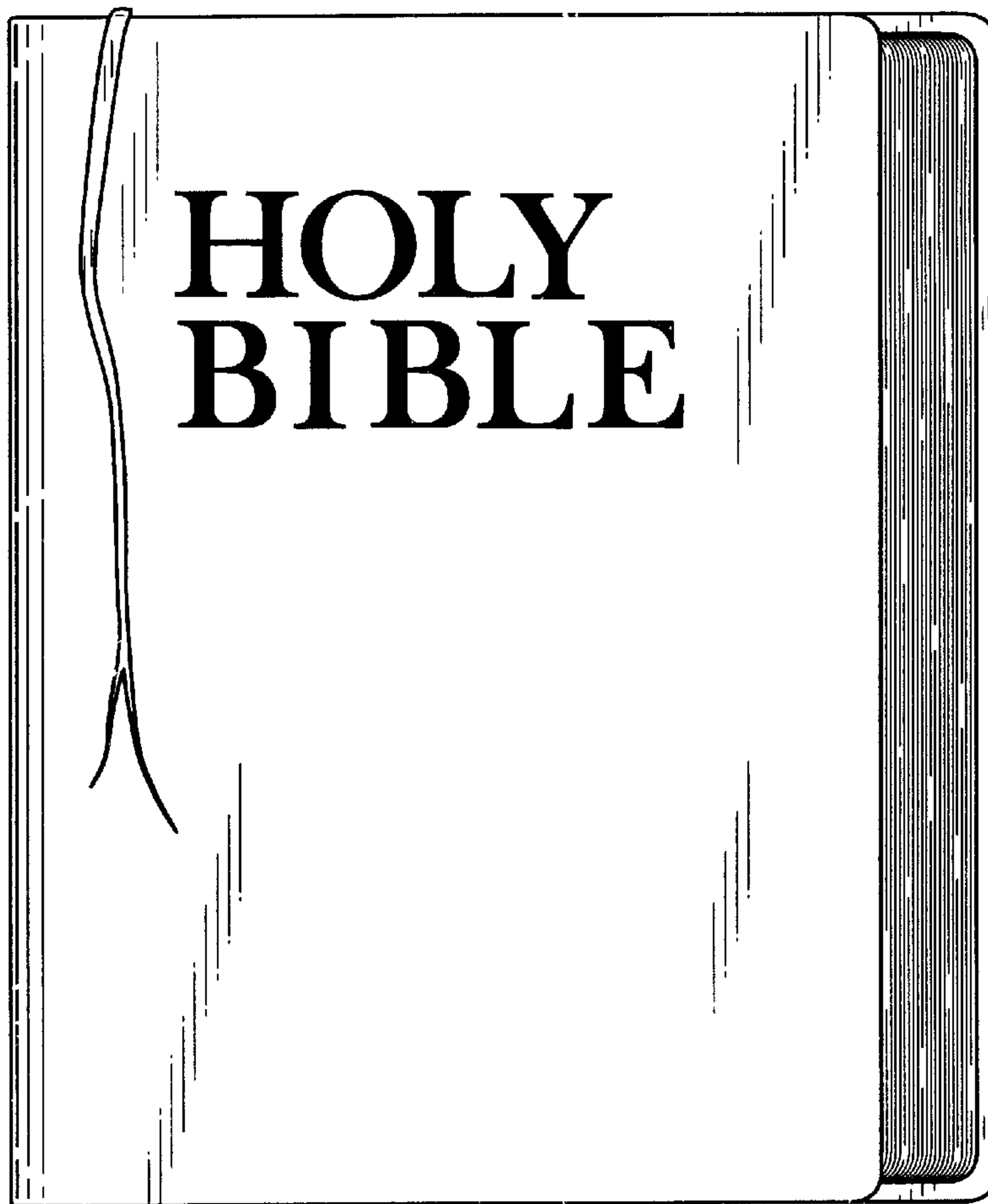
The broken line showing of environment in FIG. 1 is for illustrative purposes only and forms no part of the claimed design.

**1 Claim, 4 Drawing Sheets**

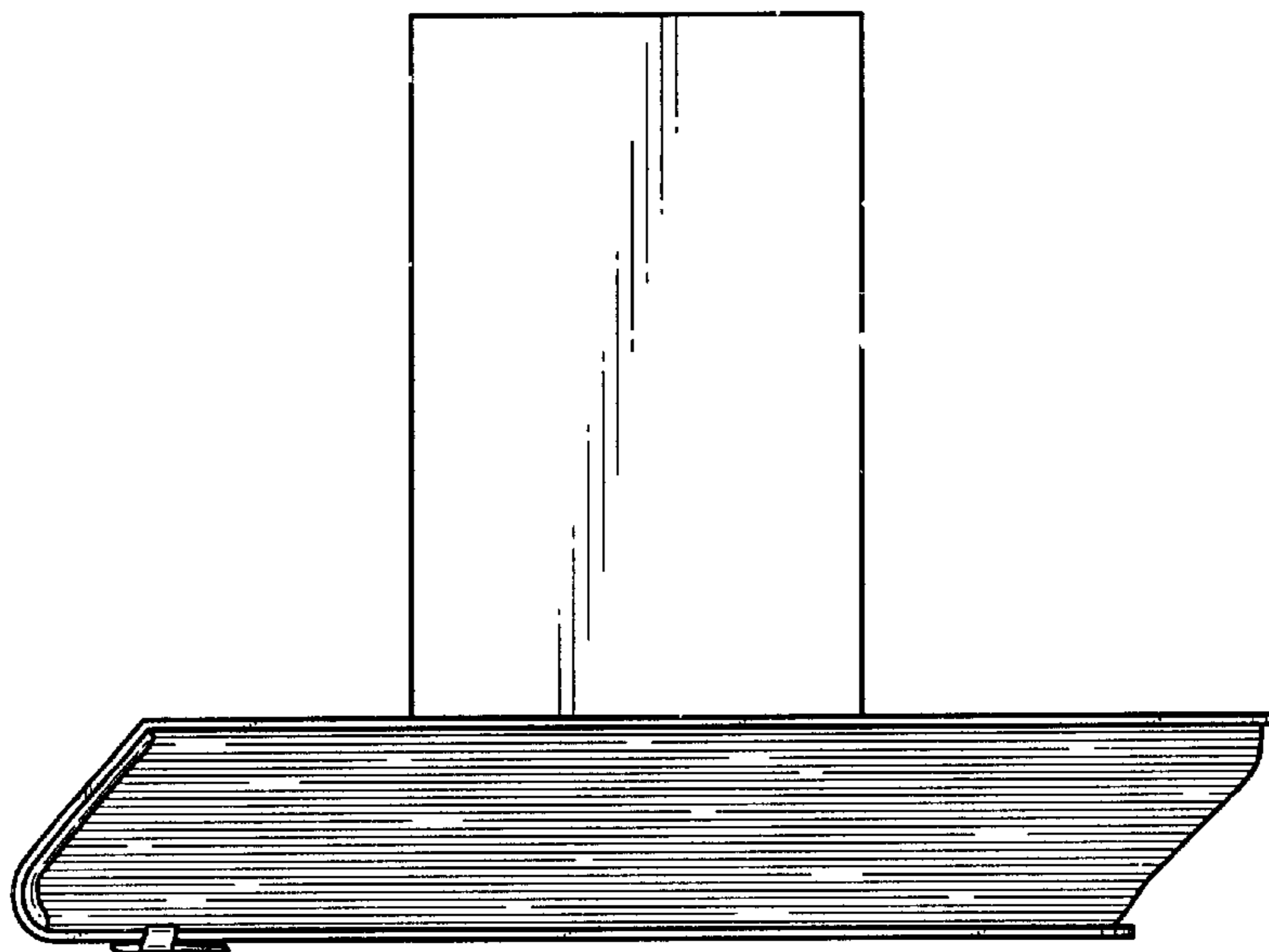




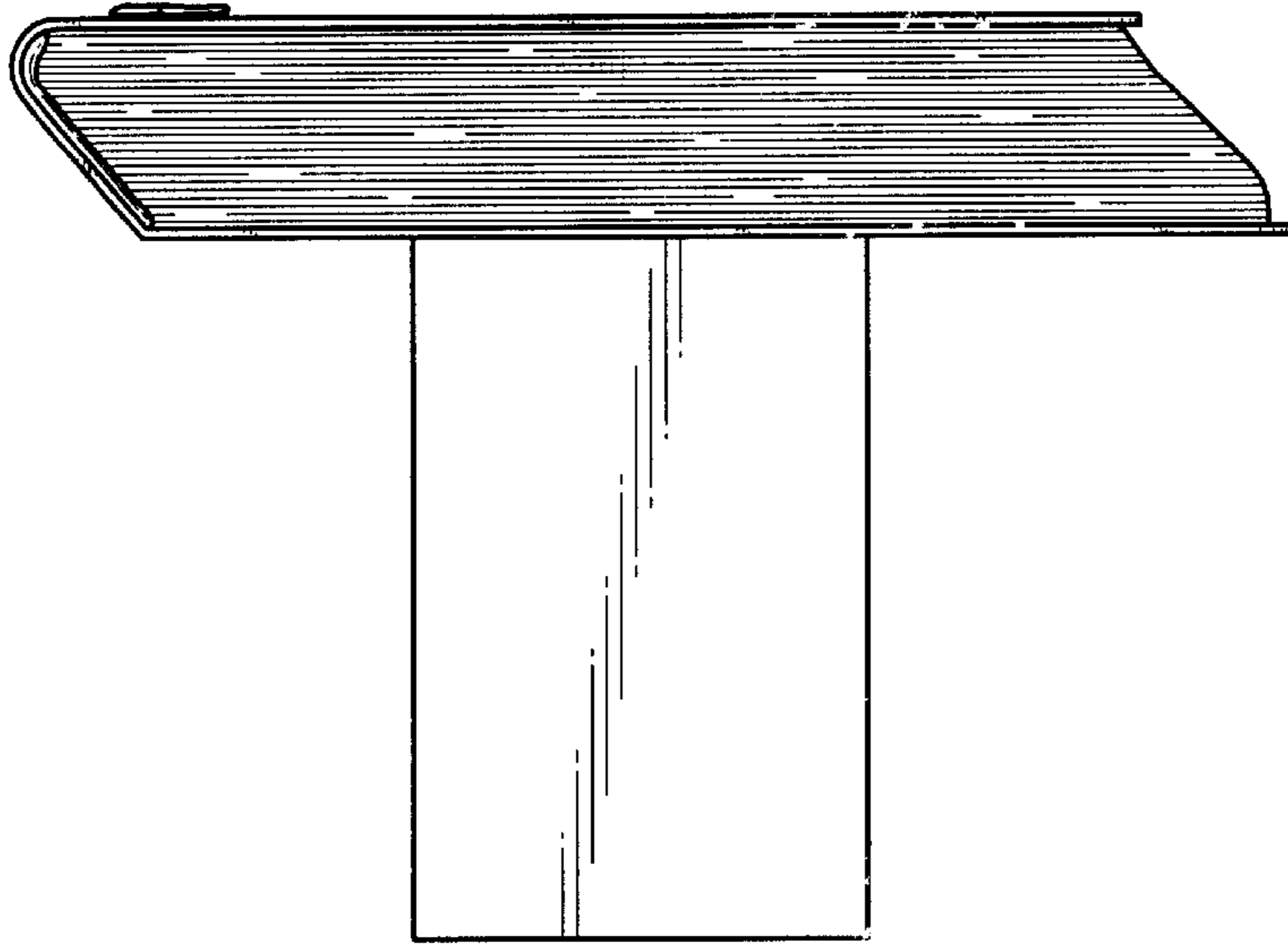
*FIG. 1*



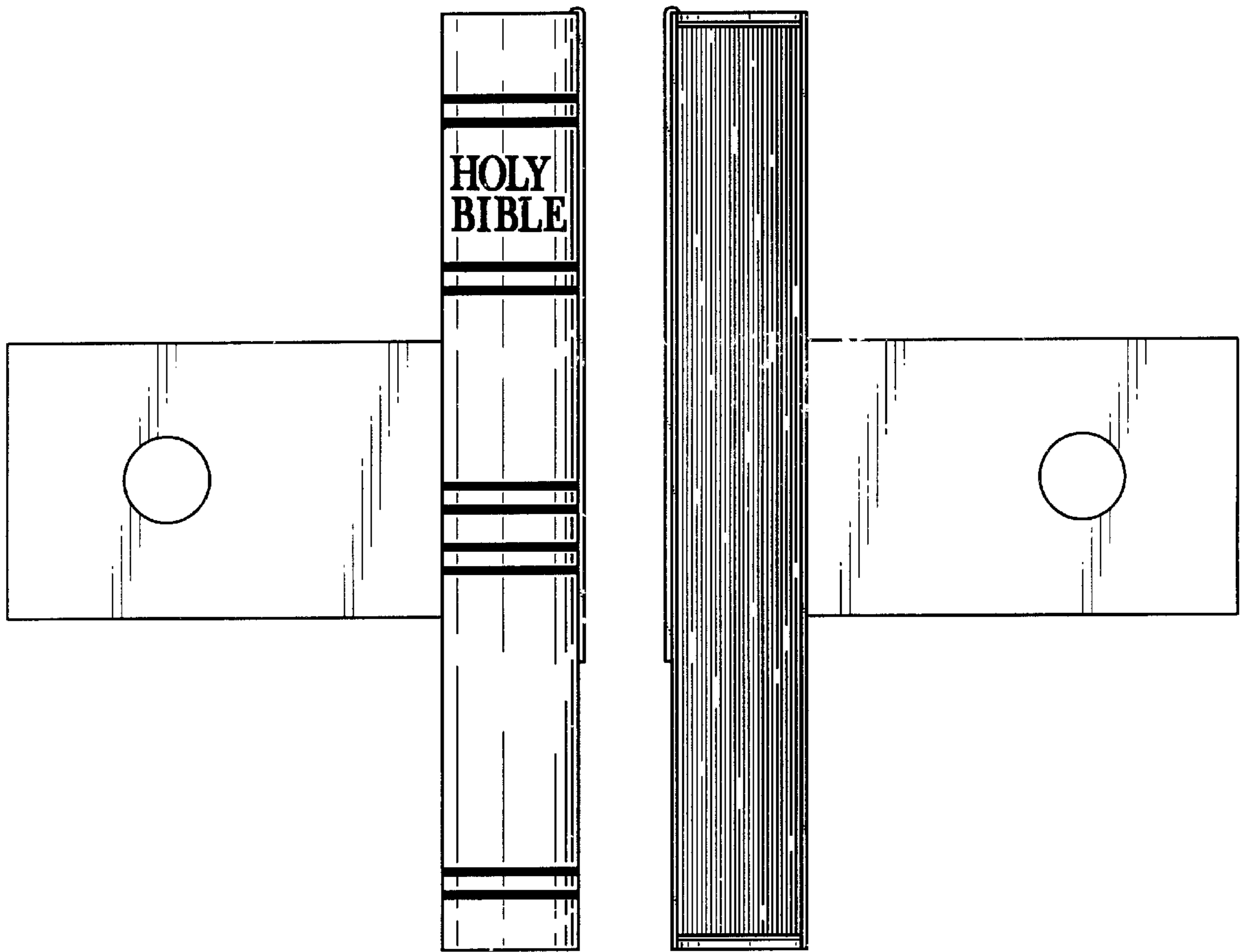
*FIG. 2*



*FIG. 3*

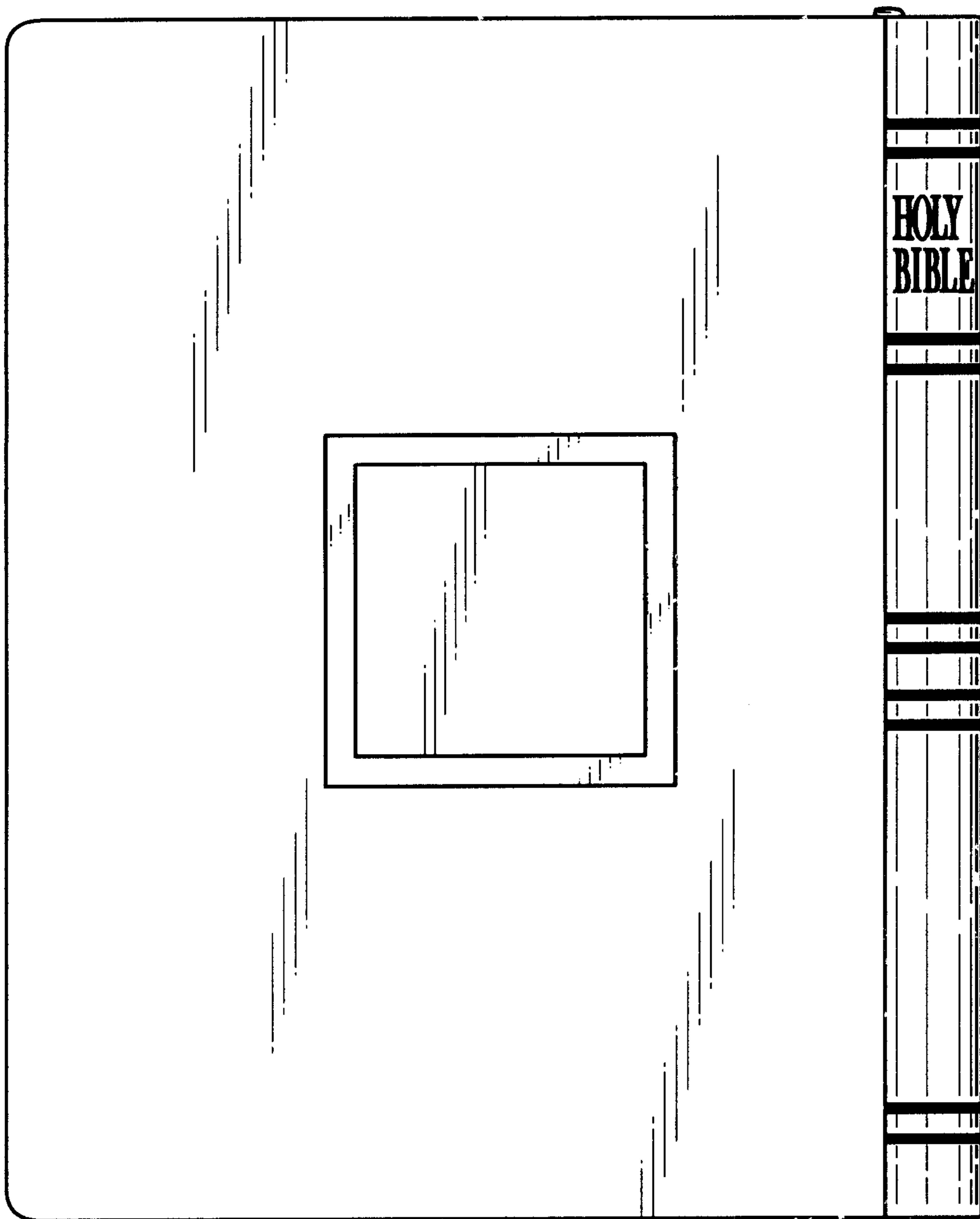


*FIG. 4*



*FIG. 5*

*FIG. 6*



*FIG. 7*