



US00D479817S

(12) **United States Design Patent**
Hobson

(10) **Patent No.:** **US D479,817 S**

(45) **Date of Patent:** **** Sep. 23, 2003**

(54) **BICYCLE FRAME**

(76) Inventor: **Michael Andrew Hobson**, 813 N.
Chauncey Ave., W. Lafayette, IN (US)
47906

(**) Term: **14 Years**

(21) Appl. No.: **29/158,656**

(22) Filed: **Apr. 9, 2002**

(51) **LOC (7) Cl.** **12-11**

(52) **U.S. Cl.** **D12/111**

(58) **Field of Search** **D12/111, 117;**
280/281.1, 288.1-288.3, 274, 275, 278

(56) **References Cited**

U.S. PATENT DOCUMENTS

D30,415 S	*	3/1899	Manson	D12/111
5,271,784 A	*	12/1993	Chen et al.	280/281.1 X
D419,110 S	*	1/2000	Allen et al.	D12/111
D419,111 S	*	1/2000	Allen et al.	D12/111

* cited by examiner

Primary Examiner—Alan P. Douglas
Assistant Examiner—Linda Brooks

(57) **CLAIM**

The ornamental design for a bicycle frame, as shown.

DESCRIPTION

FIG. 1 is a right, side, top, perspective view showing my new design;

FIG. 2 is an enlarged right, side, rear, perspective view thereof;

FIG. 3 is an enlarged left, side, rear, perspective view thereof;

FIG. 4 is an enlarged left, side, front, perspective view thereof;

FIG. 5 is an enlarged right, side, front, perspective view thereof;

FIG. 6 is an enlarged right, side, bottom, perspective view thereof;

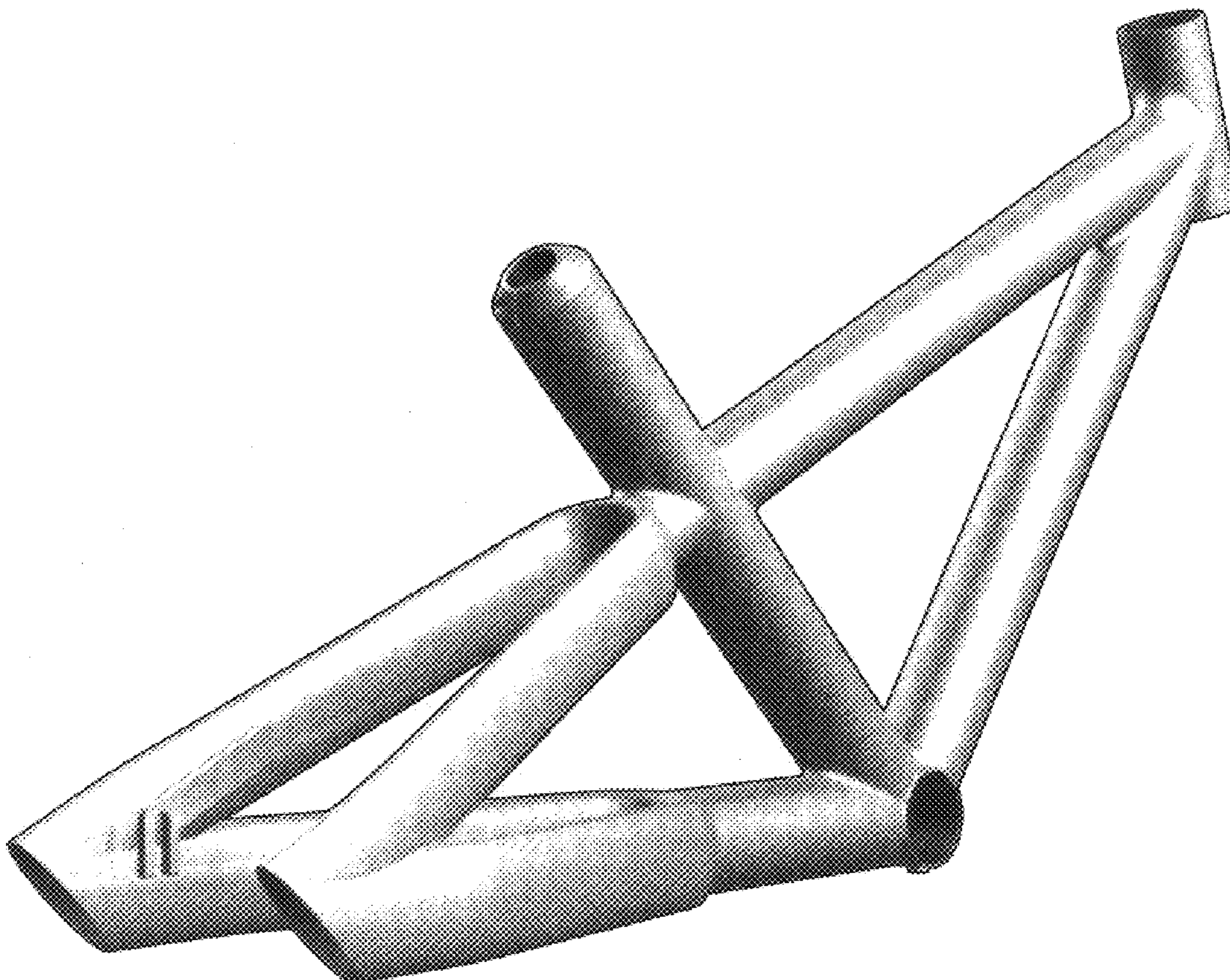
FIG. 7 is an enlarged left, side, bottom, perspective view thereof;

FIG. 8 is an enlarged rear, right, perspective view thereof; and,

FIG. 9 is an enlarged rear, left, perspective view thereof.

Broken lines in FIG. 1 are for illustrative purposes only and form no part of the claimed design.

1 Claim, 8 Drawing Sheets



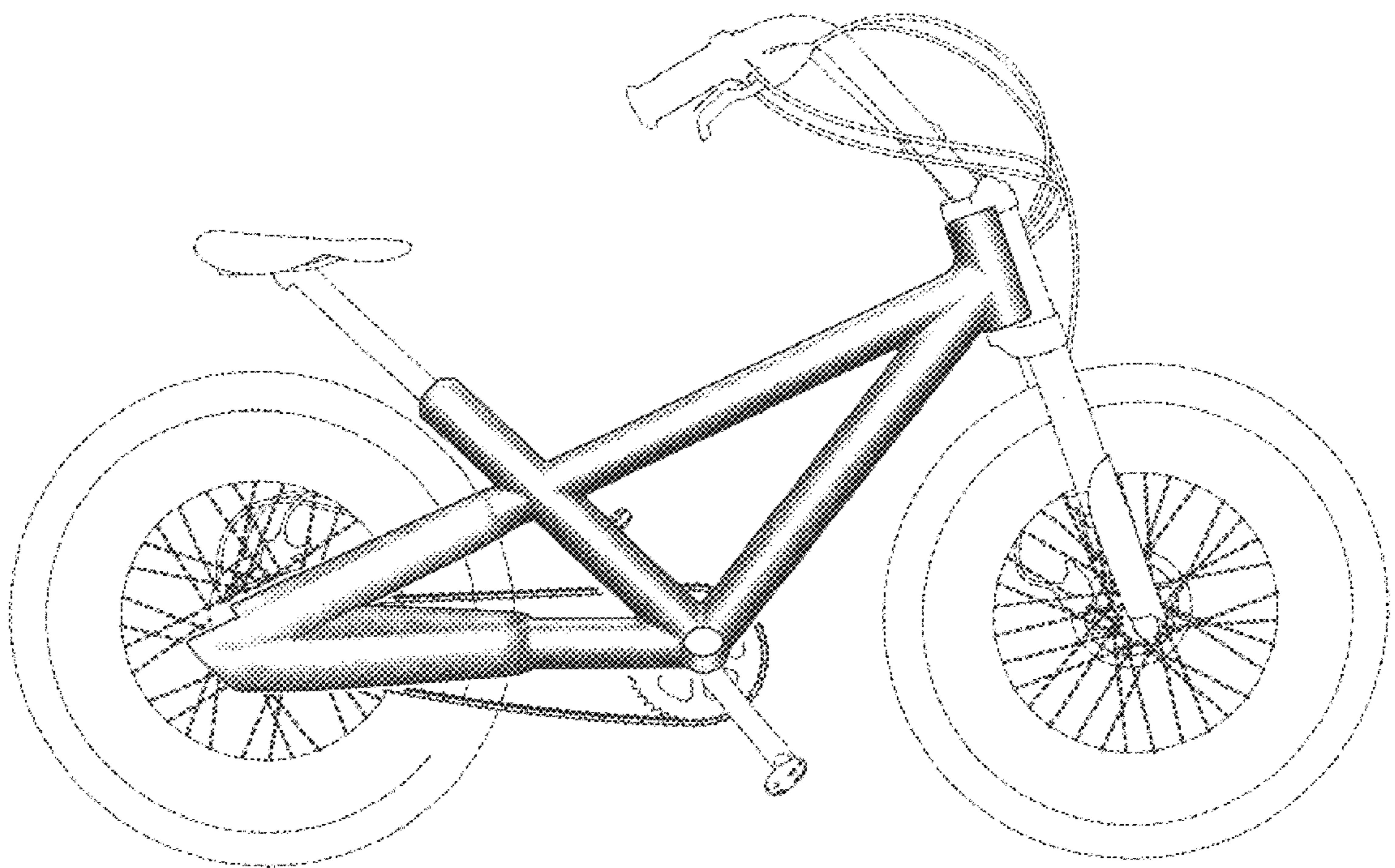


FIG. 1

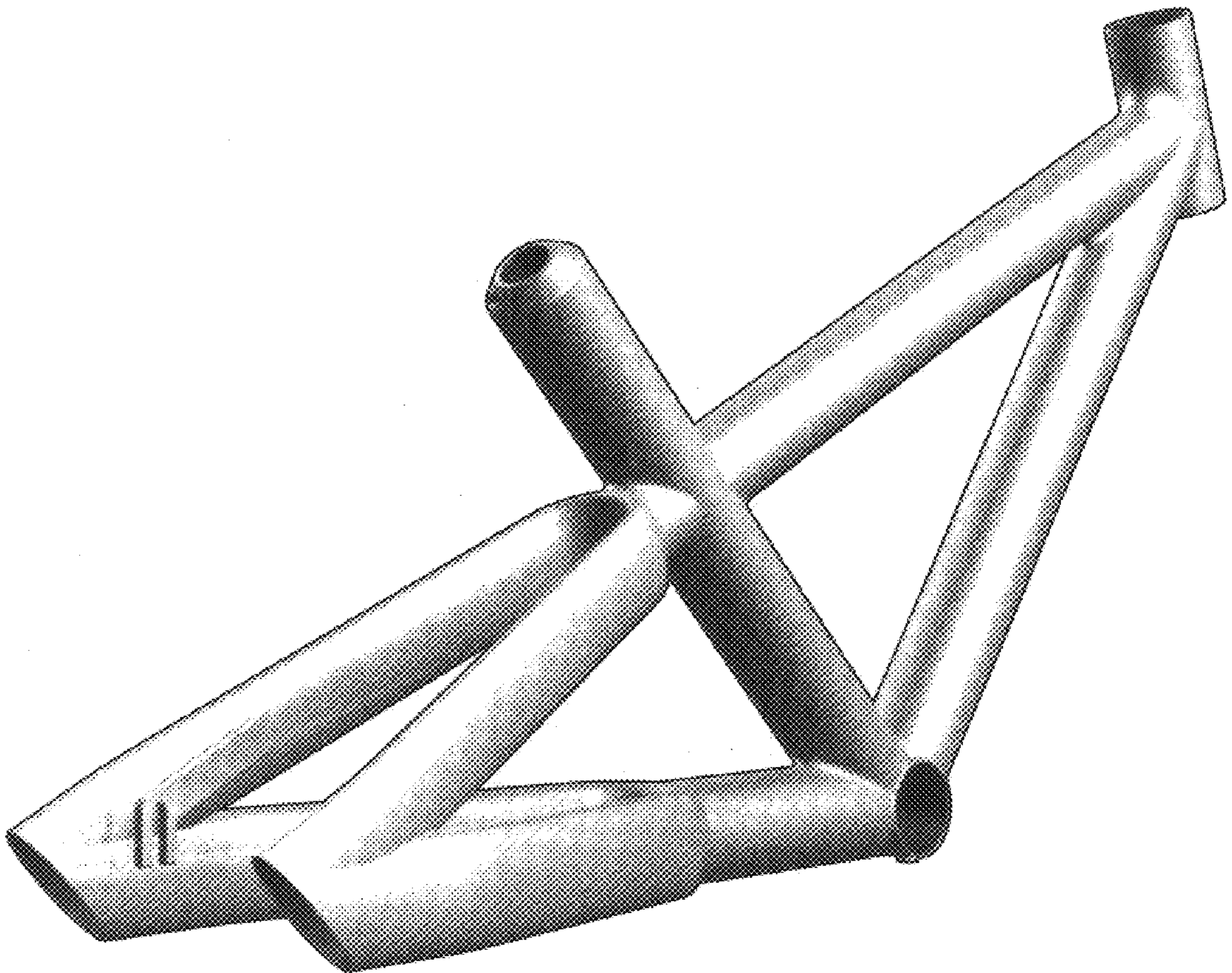


FIG. 2

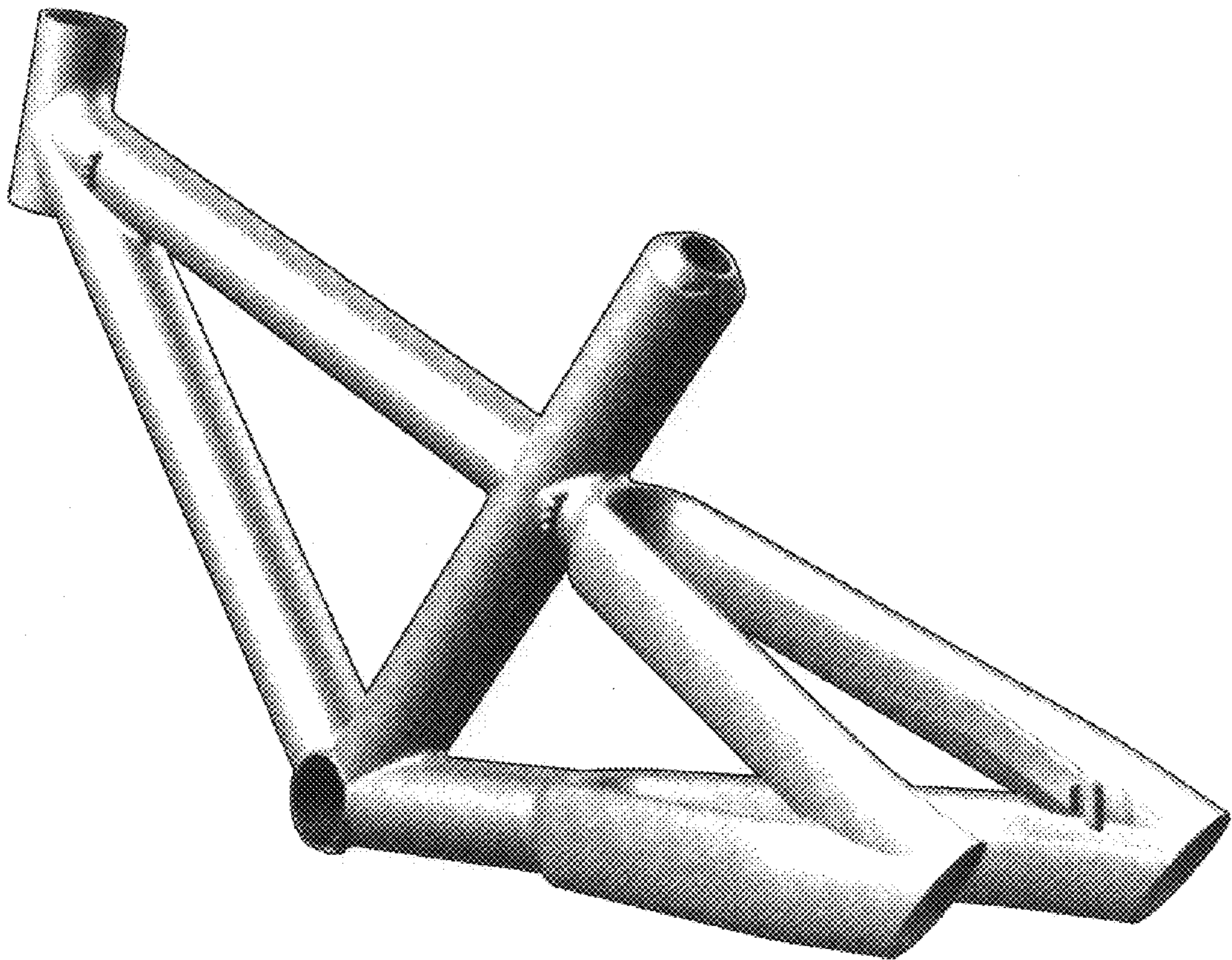


FIG. 3

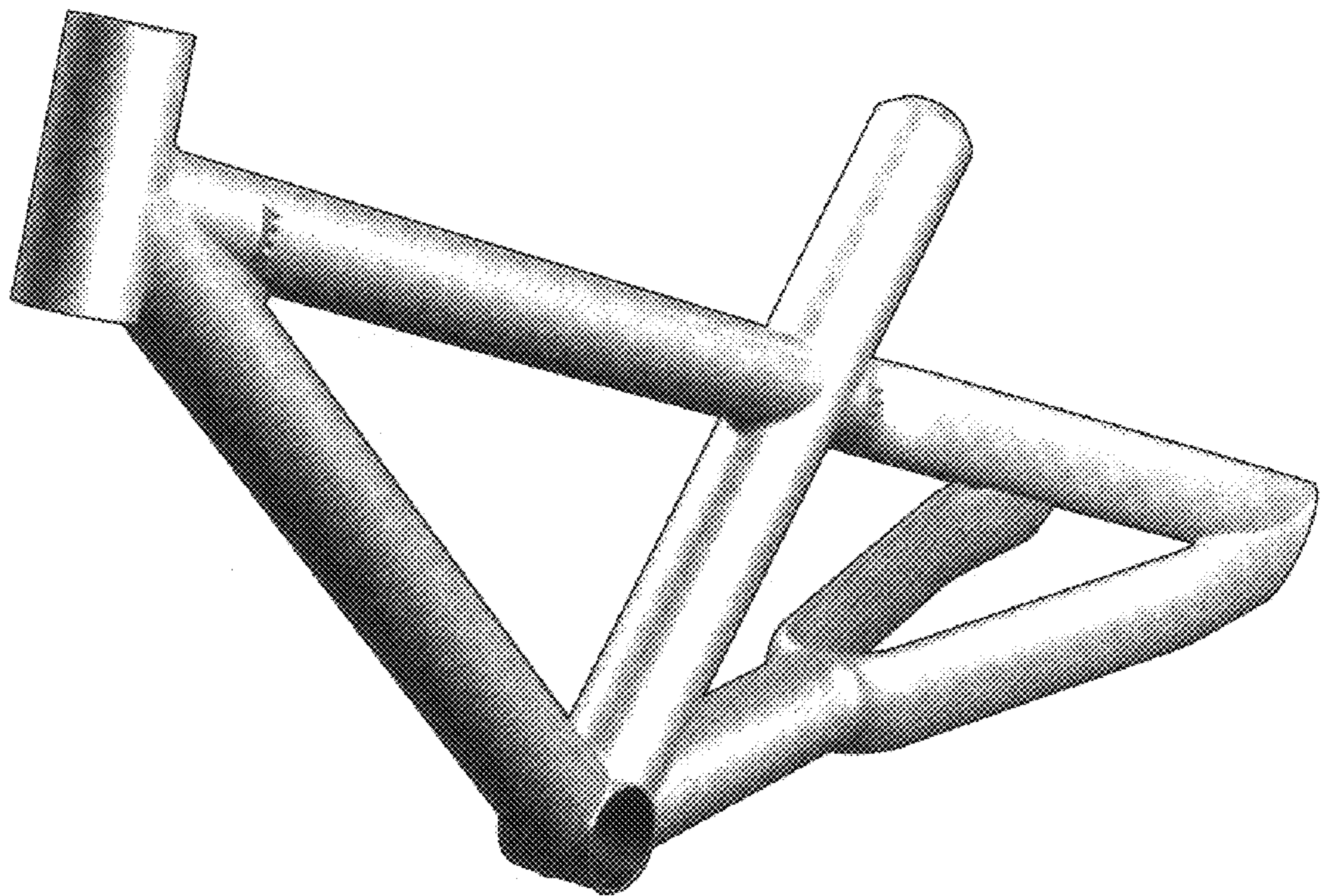


FIG. 4

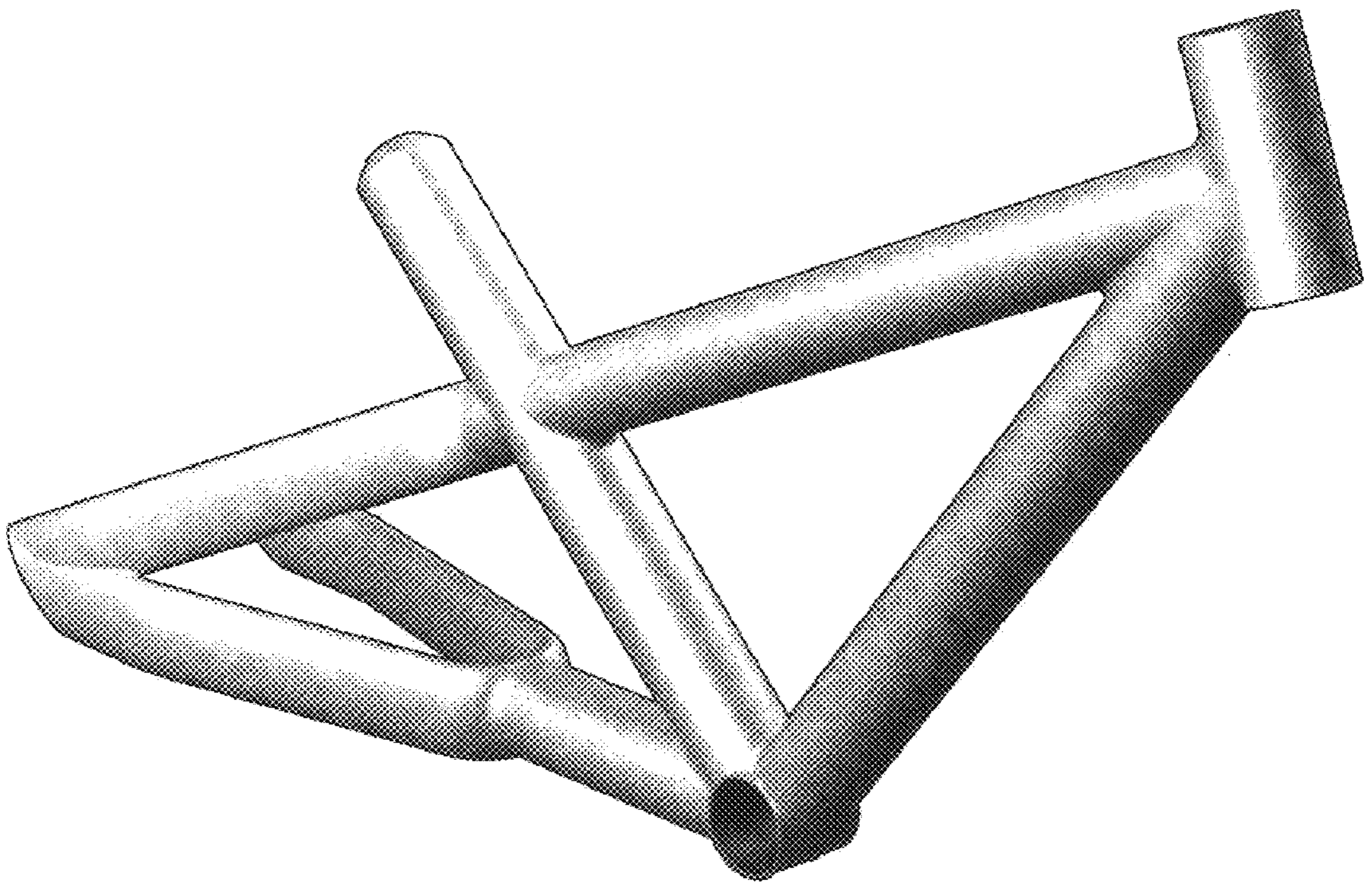


FIG. 5

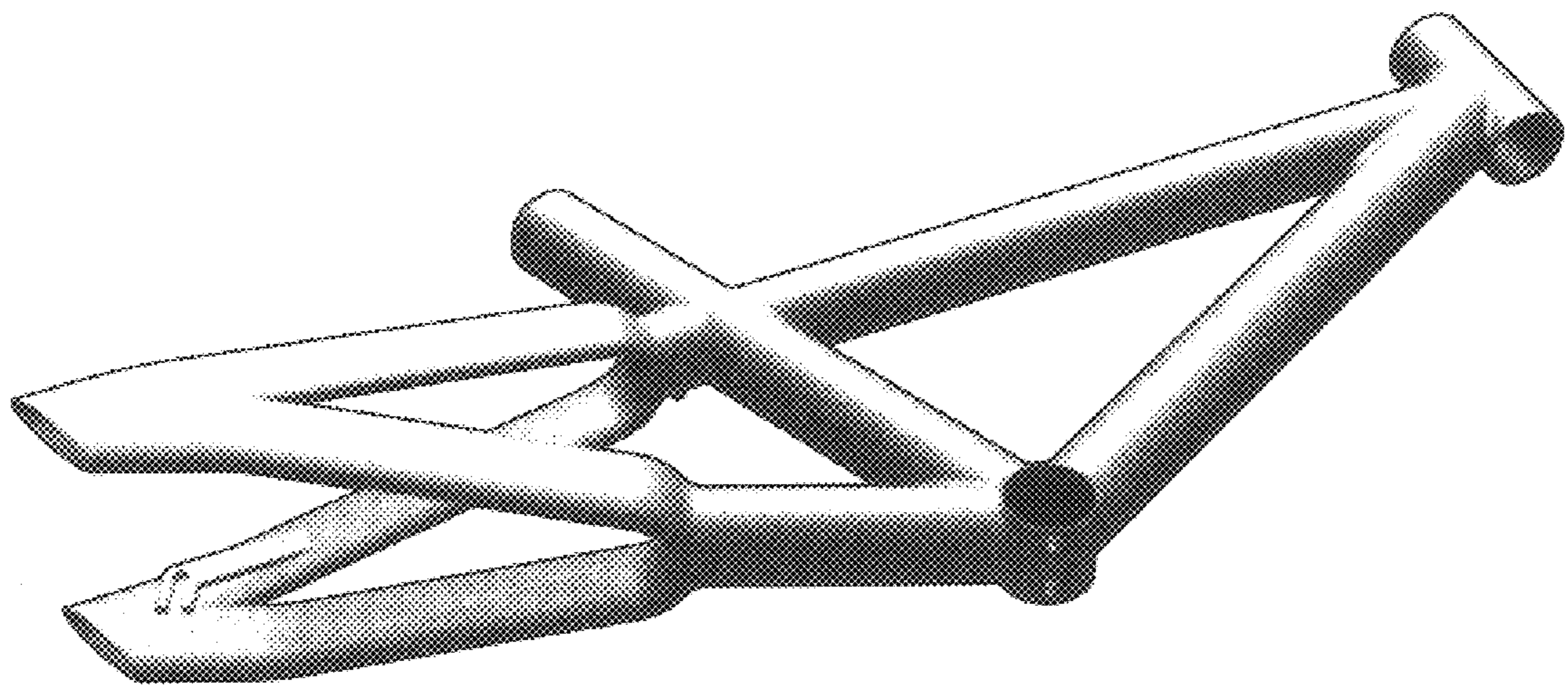


FIG. 6

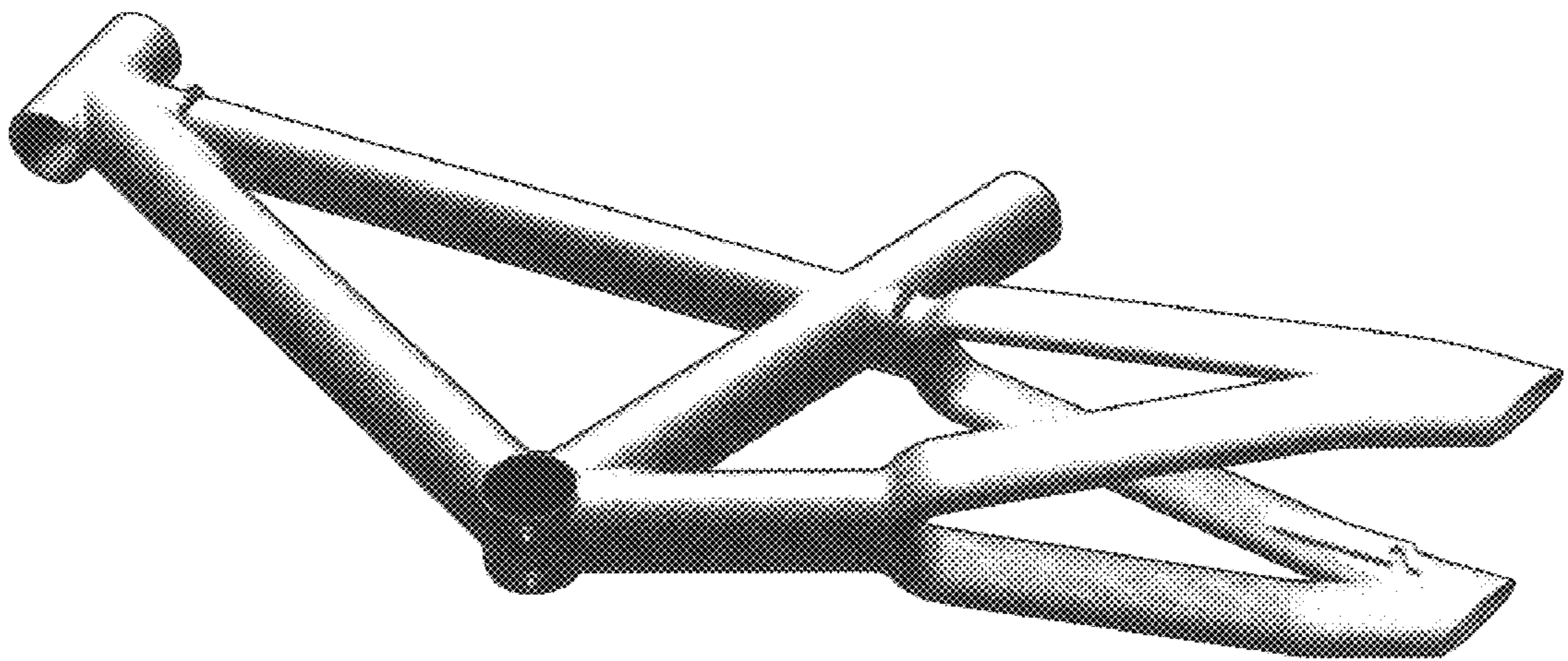


FIG. 7

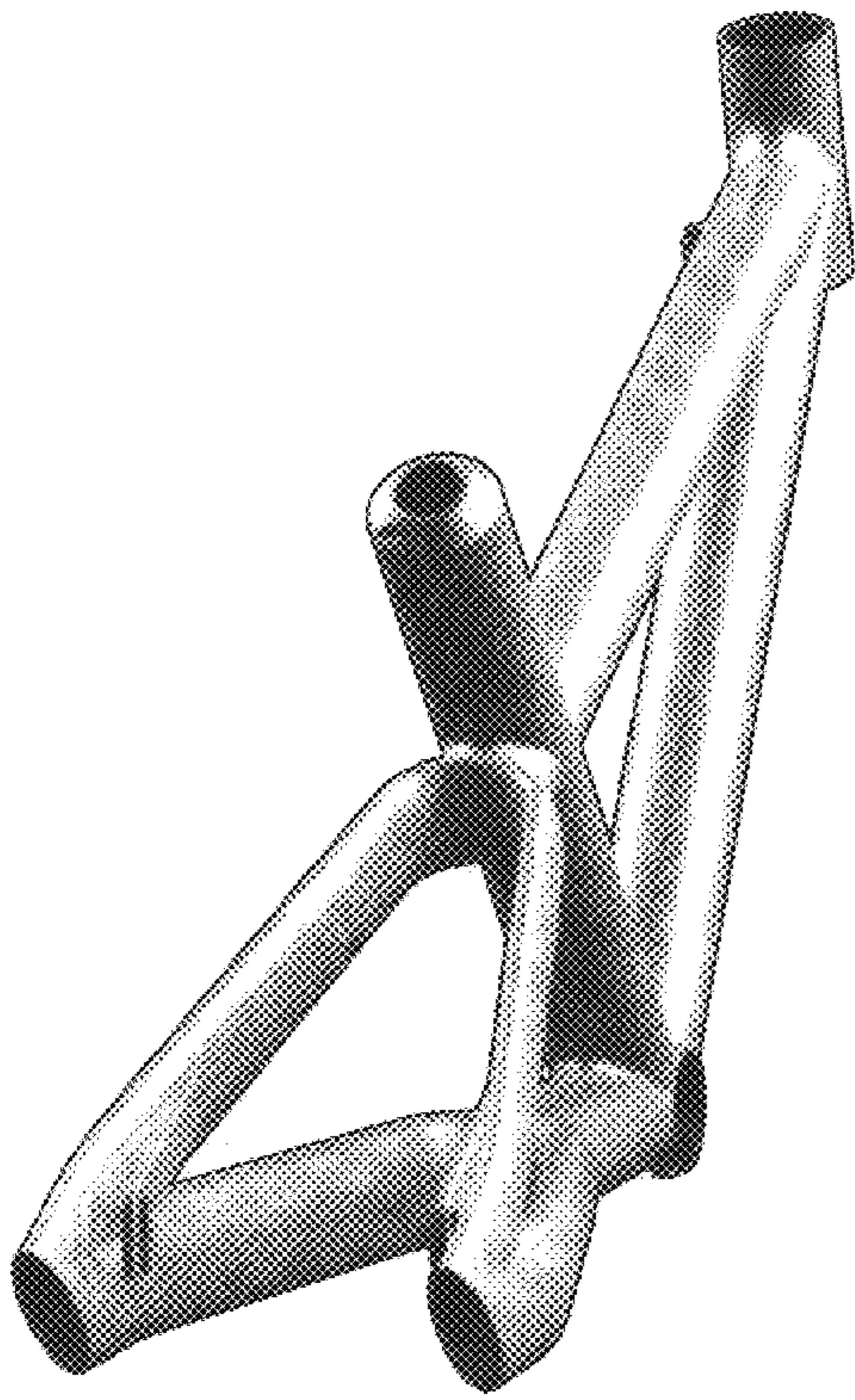


FIG. 8

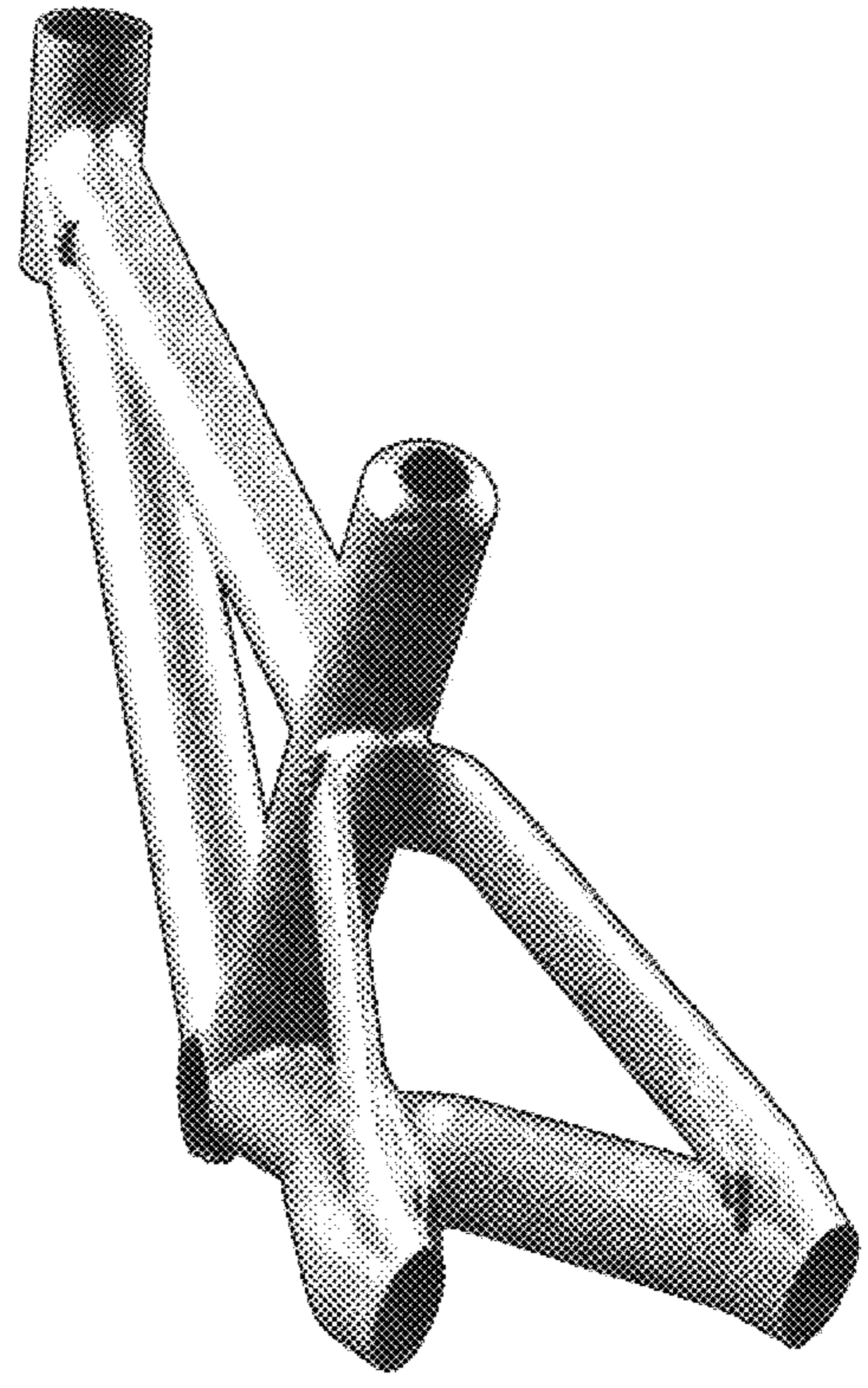


FIG. 9