



US00D479814S

(12) **United States Design Patent**
Cadotte et al.

(10) **Patent No.:** **US D479,814 S**
(45) **Date of Patent:** **** Sep. 23, 2003**

(54) **SIDE PANEL FOR A SNOWMOBILE**

(75) Inventors: **Germain Cadotte**, St-Élle d'Orford (CA); **Bruno Girouard**, Montreal (CA); **Emmanuel Rius**, Maison Laffitte (FR)

(73) Assignee: **Bombardier Inc.**, Valcourt (CA)

(**) Term: **14 Years**

(21) Appl. No.: **29/160,836**

(22) Filed: **May 20, 2002**

Related U.S. Application Data

(63) Continuation-in-part of application No. 29/139,885, filed on Apr. 9, 2001.

(51) **LOC (7) Cl.** **12-13**

(52) **U.S. Cl.** **D12/7**

(58) **Field of Search** D12/7; 180/182, 180/186, 190, 193-194; 280/845; D21/533

(56) **References Cited**

U.S. PATENT DOCUMENTS

D228,754 S	10/1973	Mango	D12/7
D239,164 S	3/1976	Smith et al.	D12/7
D264,830 S	6/1982	Ishiyama	D12/7
D273,185 S	* 3/1984	Ishiyama	D12/7
D278,892 S	* 5/1985	Kobayashi	D12/7
4,779,695 A	* 10/1988	Yasui	180/190

D314,535 S	2/1991	Matsue	D12/7
D342,044 S	* 12/1993	Hornai	D12/7
D403,273 S	* 12/1998	Cadotte et al.	D12/7
D438,821 S	3/2001	Cadotte et al.	D12/7
6,234,263 B1	5/2001	Boivin et al.	180/184
6,234,286 B1	5/2001	Feldberg	188/379
6,371,233 B2	* 4/2002	Ishii	180/182

OTHER PUBLICATIONS

www.yamaha-motor.com2003RX-1 photo galleryw/rear perspective. On net.*

* cited by examiner

Primary Examiner—Nelson C. Holtje

(74) *Attorney, Agent, or Firm*—Pillsbury Winthrop LLP

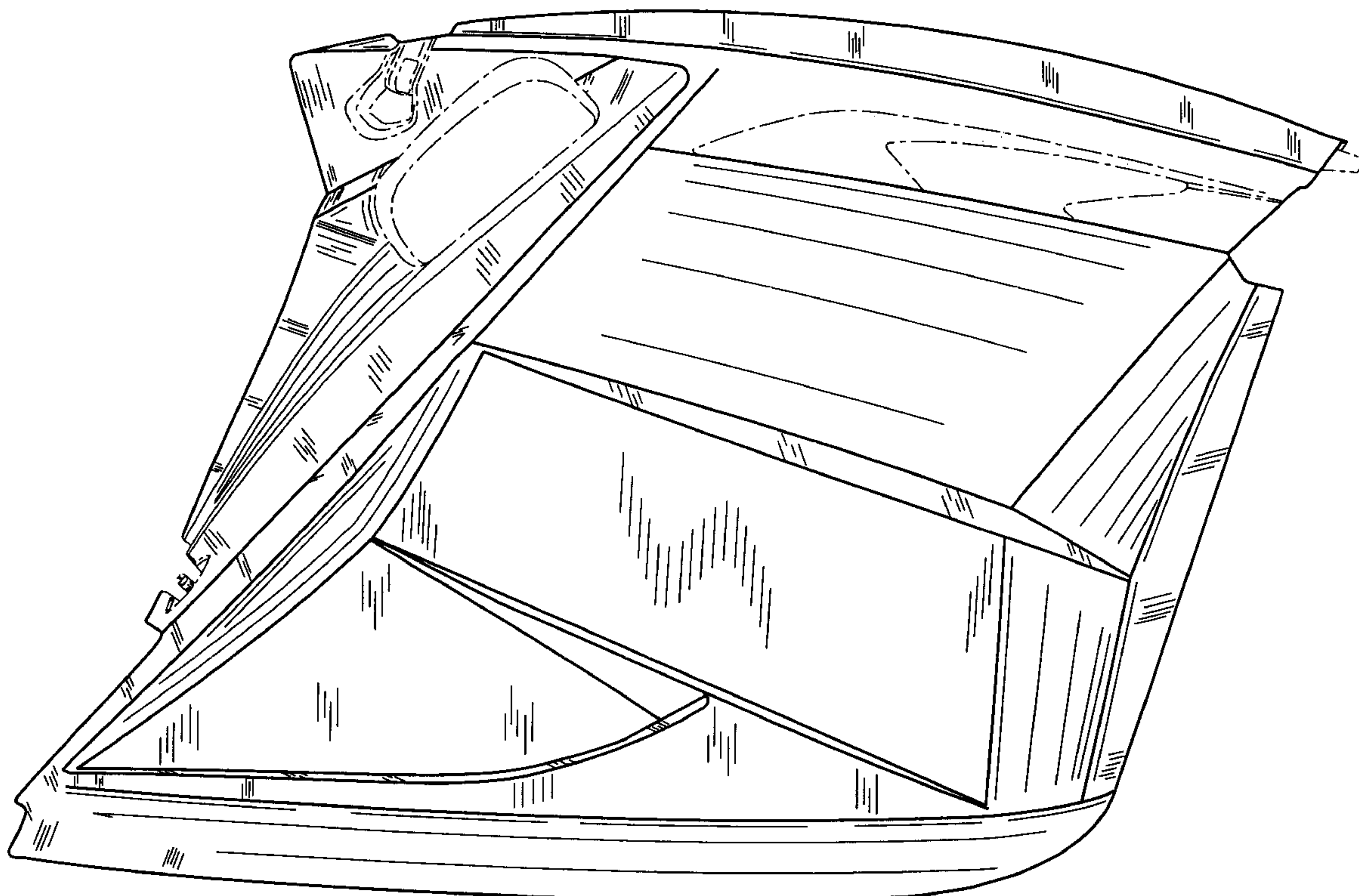
(57) **CLAIM**

The ornamental design for a side panel for a snowmobile, as shown and described.

DESCRIPTION

FIG. 1 is a left front perspective view of a side panel for a snowmobile showing our new design; FIG. 2 is a left side elevational view thereof; FIG. 3 is a rear elevational view thereof; FIG. 4 is a front elevational view thereof; FIG. 5 is a top plan view thereof; and, FIG. 6 is a bottom plan view thereof. The broken line showings are for illustrative purposes only and form no part of the claimed design.

1 Claim, 6 Drawing Sheets



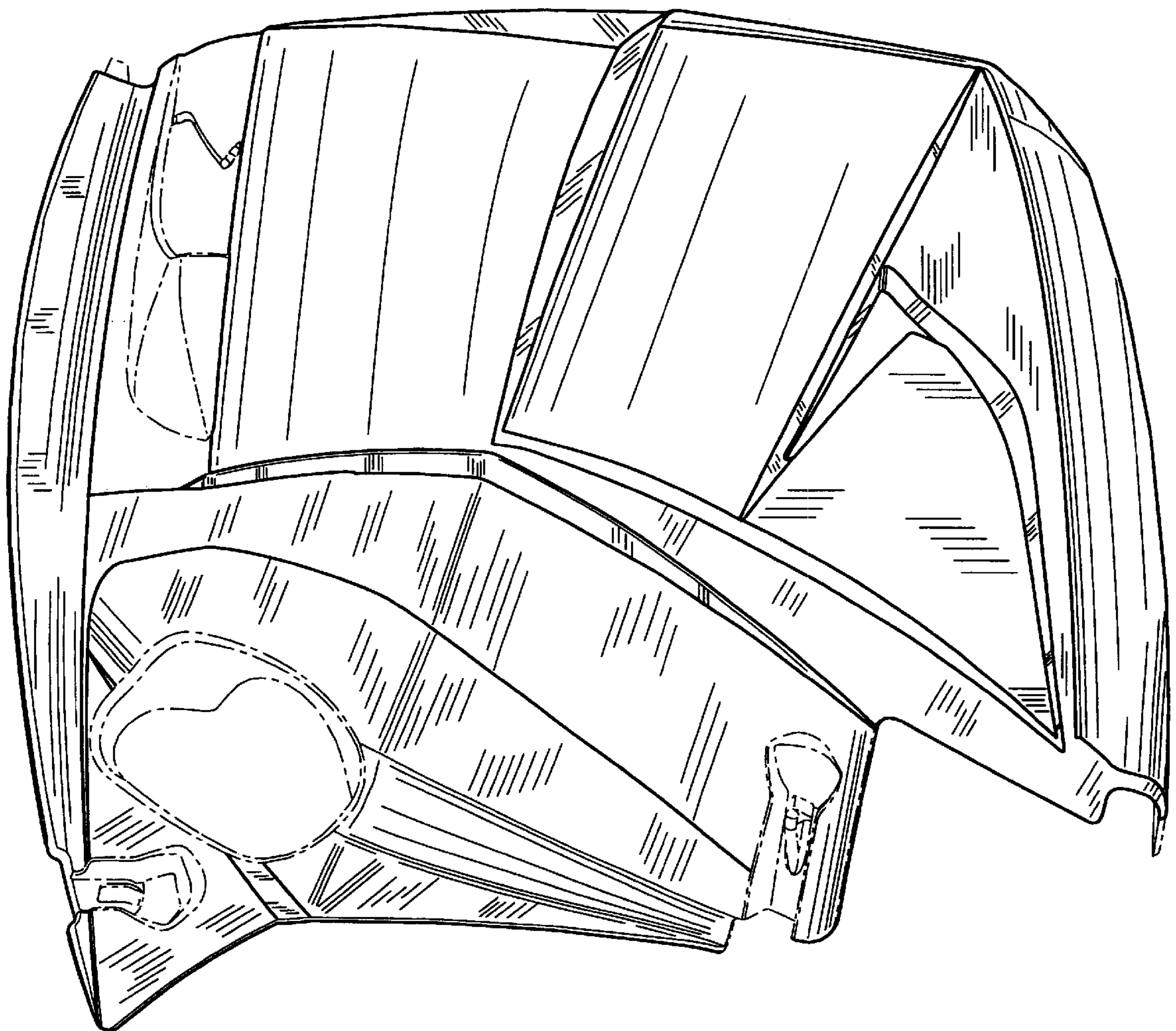


FIG. 1

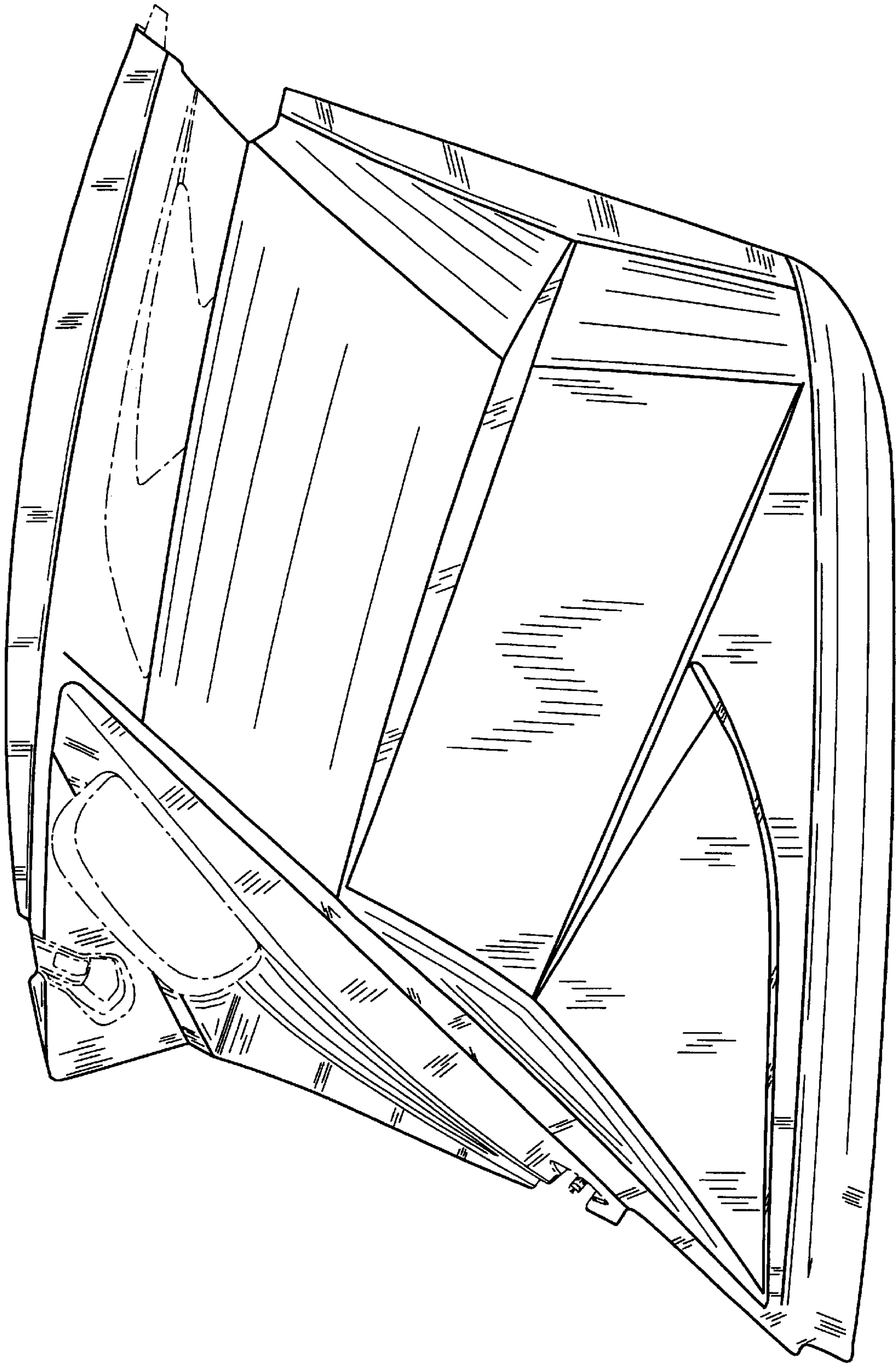


FIG. 2

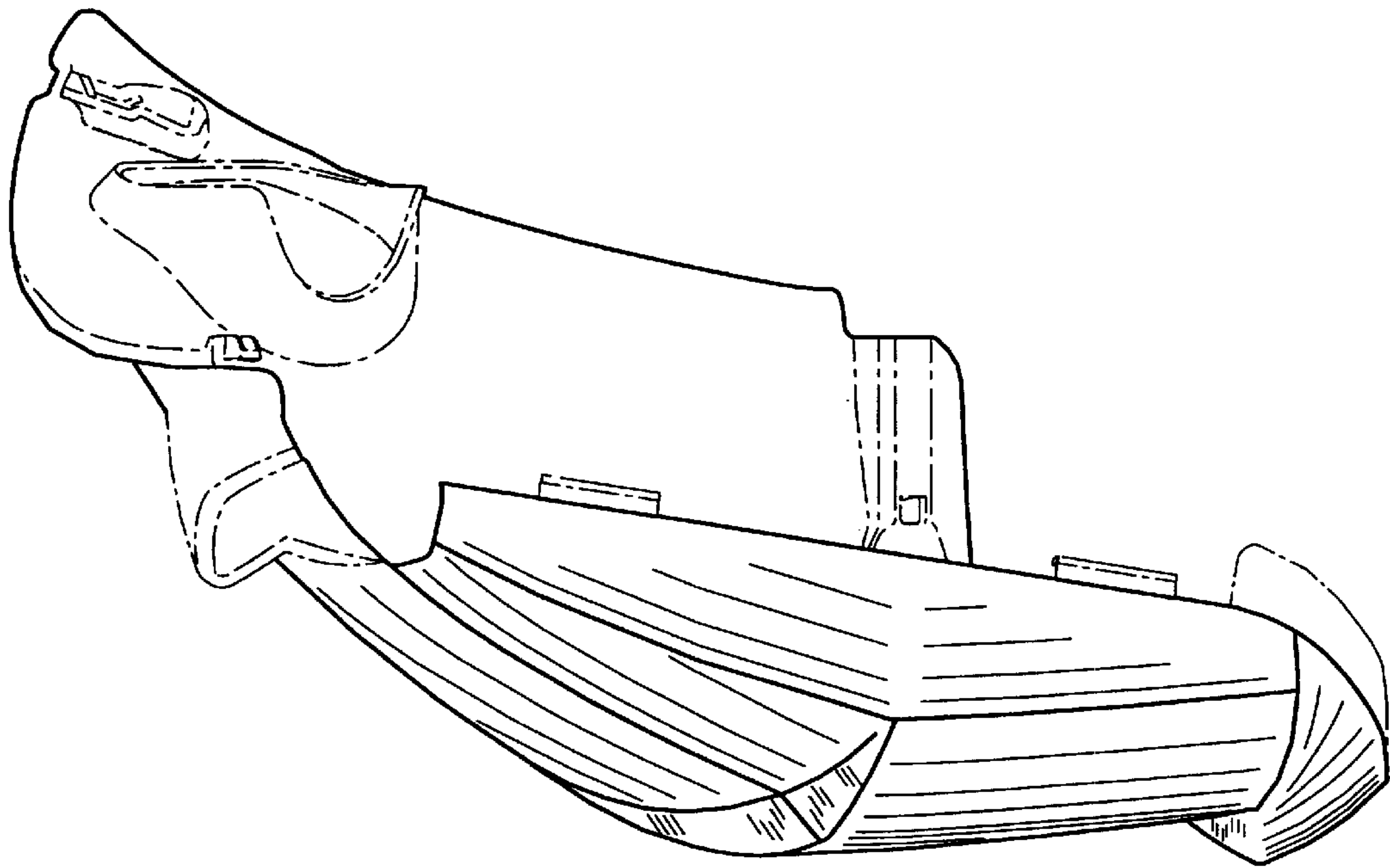


FIG. 3

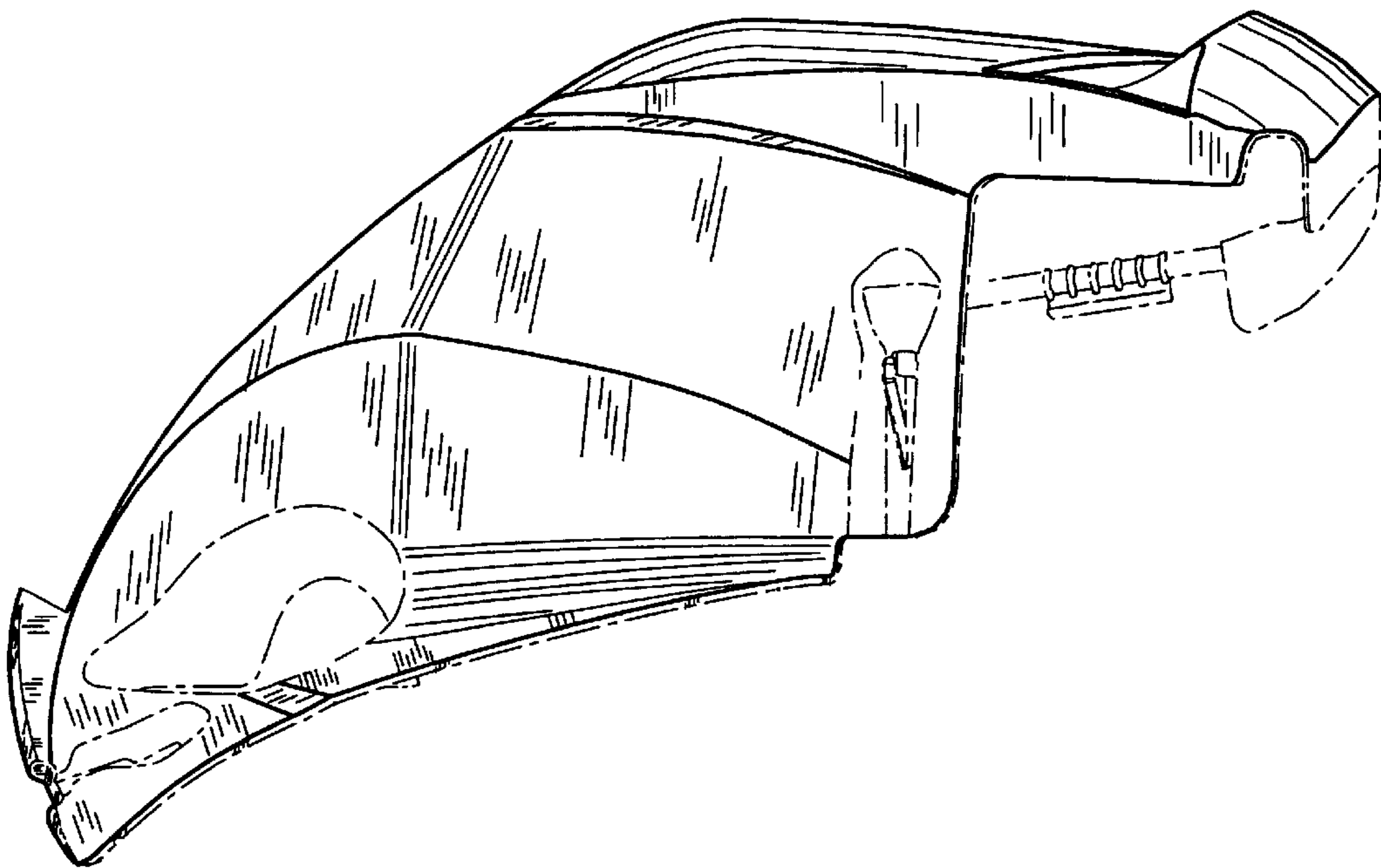


FIG. 4

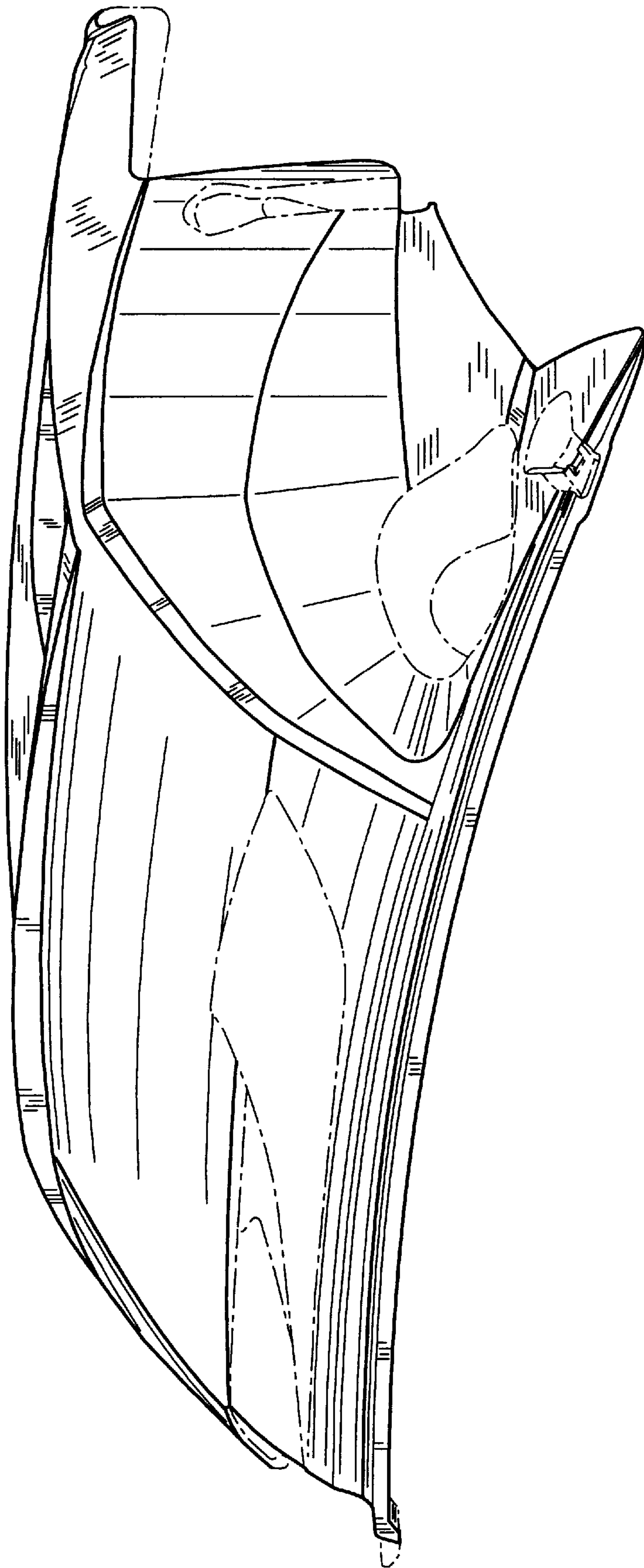


FIG. 5

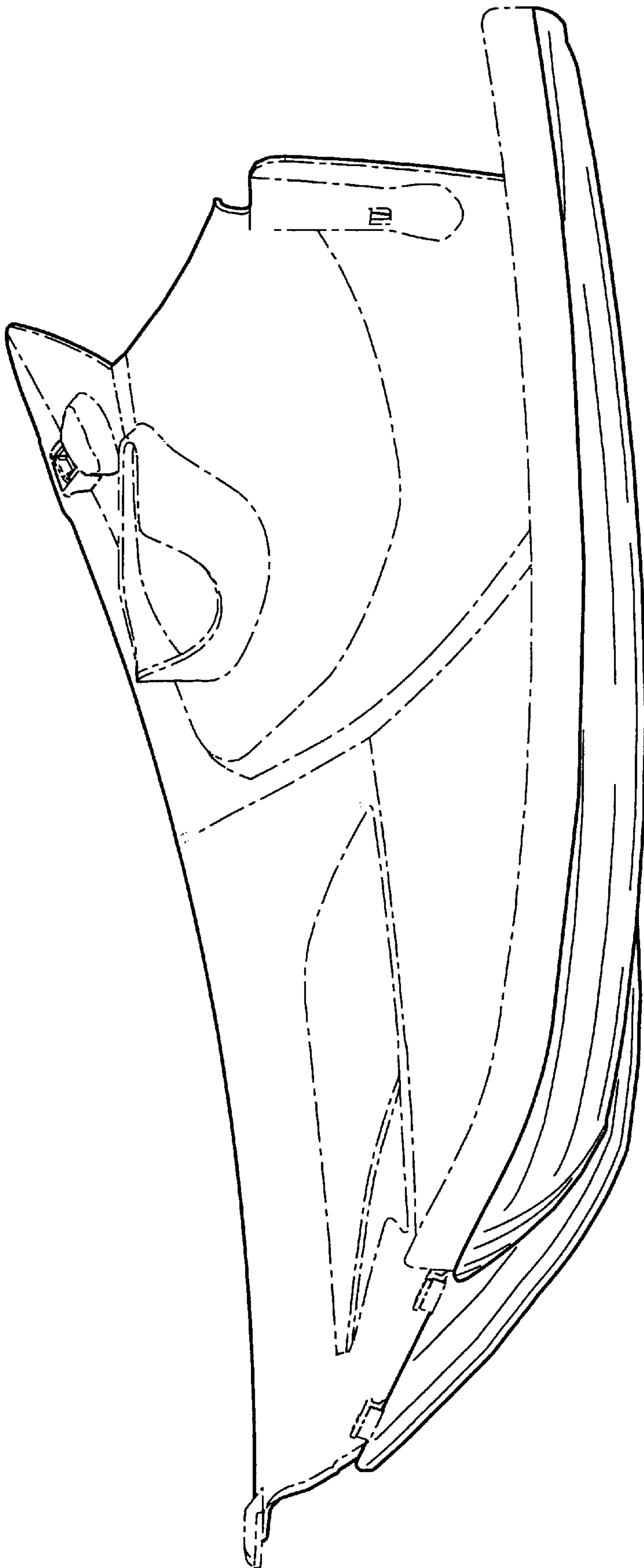


FIG. 6