



US00D479813S

(12) **United States Design Patent**
Cadotte et al.

(10) **Patent No.:** **US D479,813 S**

(45) **Date of Patent:** **** Sep. 23, 2003**

(54) **SNOWMOBILE**

6,234,263 B1 5/2001 Boivin et al. 180/184
6,234,286 B1 5/2001 Feldberg 188/379

(75) Inventors: **Germain Cadotte**, St-Élie d'Orford (CA); **Bruno Girouard**, Montreal (CA); **Emmanuel Rius**, Maison Laffitte (FR)

* cited by examiner

Primary Examiner—Stacia Cadmus

(74) *Attorney, Agent, or Firm*—Pillsbury Winthrop LLP

(73) Assignee: **Bombardier Inc.**, Valcourt (CA)

(57) **CLAIM**

(**) Term: **14 Years**

The ornamental design for a snowmobile, as shown and described.

(21) Appl. No.: **29/139,885**

DESCRIPTION

(22) Filed: **Apr. 9, 2001**

(51) **LOC (7) Cl.** **12-14**

(52) **U.S. Cl.** **D12/7**

(58) **Field of Search** D12/7; 180/182–186, 180/190, 193, 194; 280/845; D21/533

FIG. 1 is a perspective illustration, from the front and left side, of the snowmobile of our design; FIG. 2 is a right side elevational view thereof; FIG. 3 is a rear elevational view thereof; FIG. 4 is a top plan view thereof; FIG. 5 is a left side elevational view thereof; and, FIG. 6 is a front elevational view thereof.

(56) **References Cited**

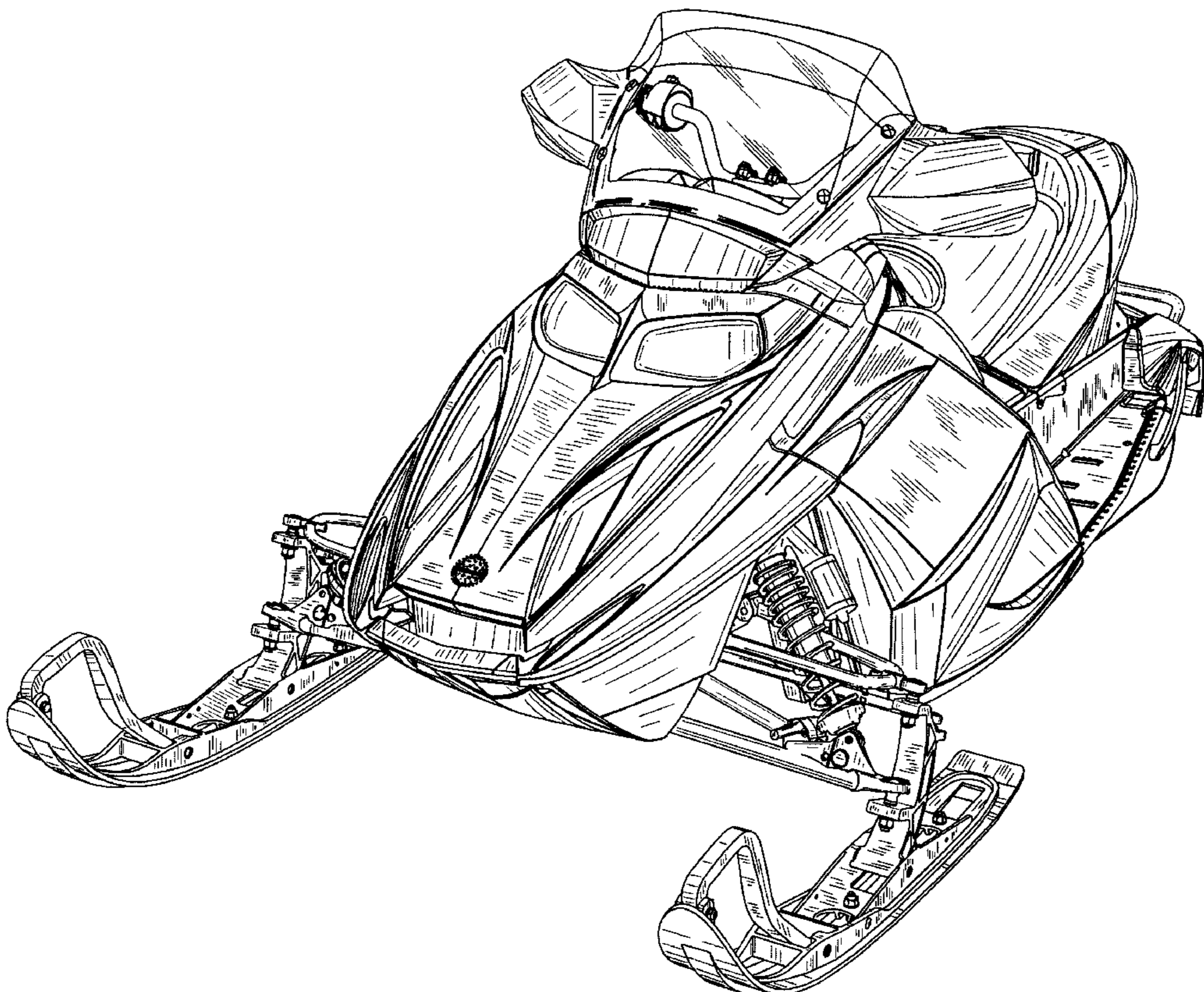
U.S. PATENT DOCUMENTS

| | | | | | |
|------------|---|---------|----------------|-------|-------|
| D228,754 S | * | 10/1973 | Mango | | D12/7 |
| D239,164 S | * | 3/1976 | Smith et al. | | D12/7 |
| D264,830 S | * | 6/1982 | Ishiyama | | D12/7 |
| D273,185 S | * | 3/1984 | Ishiyama | | D12/7 |
| D278,892 S | * | 5/1985 | Kobayashi | | D12/7 |
| D314,535 S | | 2/1991 | Matsue | | D12/7 |
| D342,044 S | * | 12/1993 | Hornai | | D12/7 |
| D438,821 S | * | 3/2001 | Cadotte et al. | | D12/7 |

Throughout the various figures of the drawings, certain views are not provided. Unless otherwise indicated, the omission of a particular view is intended to convey that the element(s) is/are plain and unornamented in that omitted view.

In Figures 1–6, broken lines showing environment or structure are for illustrative purposes only and form no part of the claimed design.

1 Claim, 6 Drawing Sheets



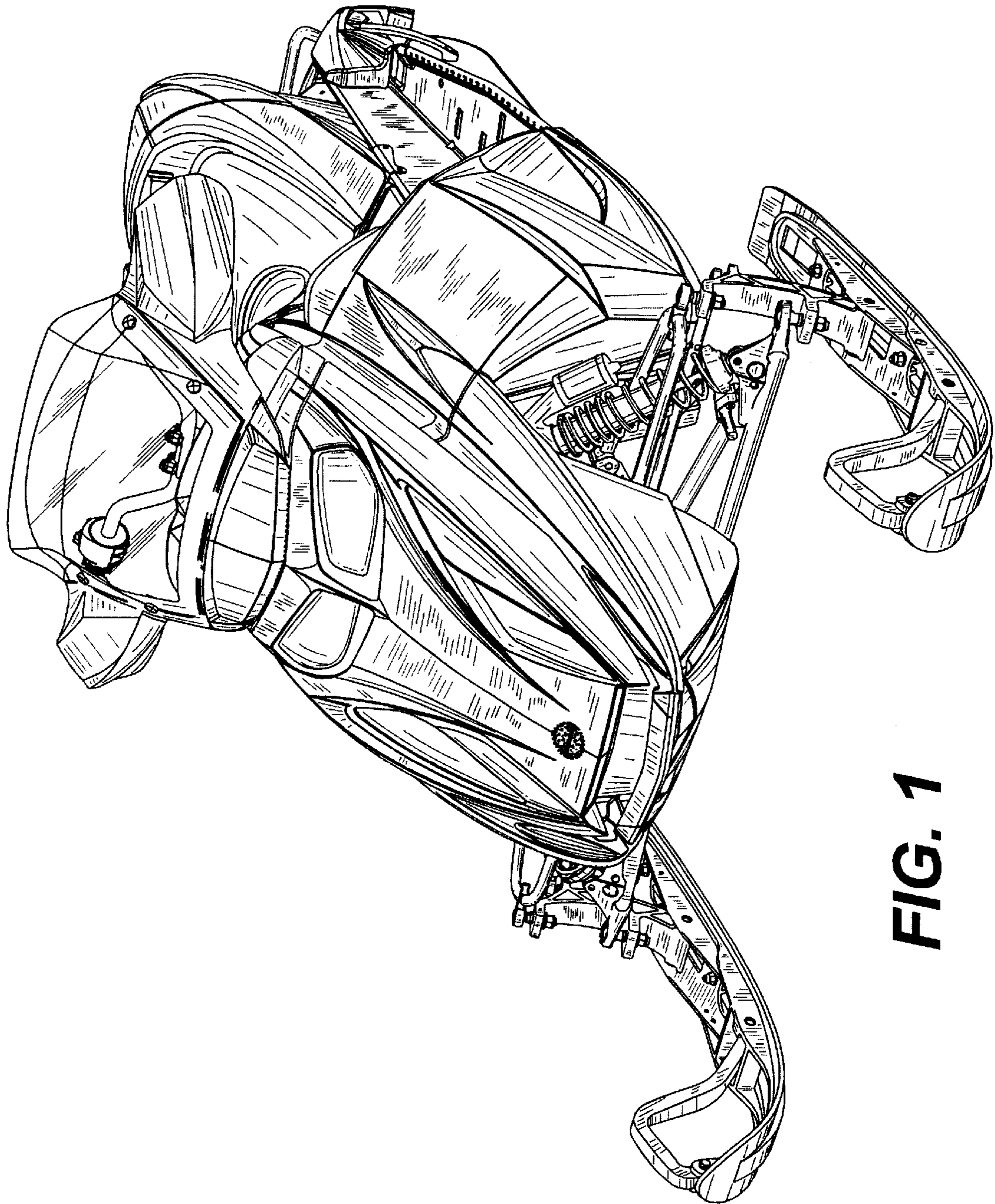


FIG. 1

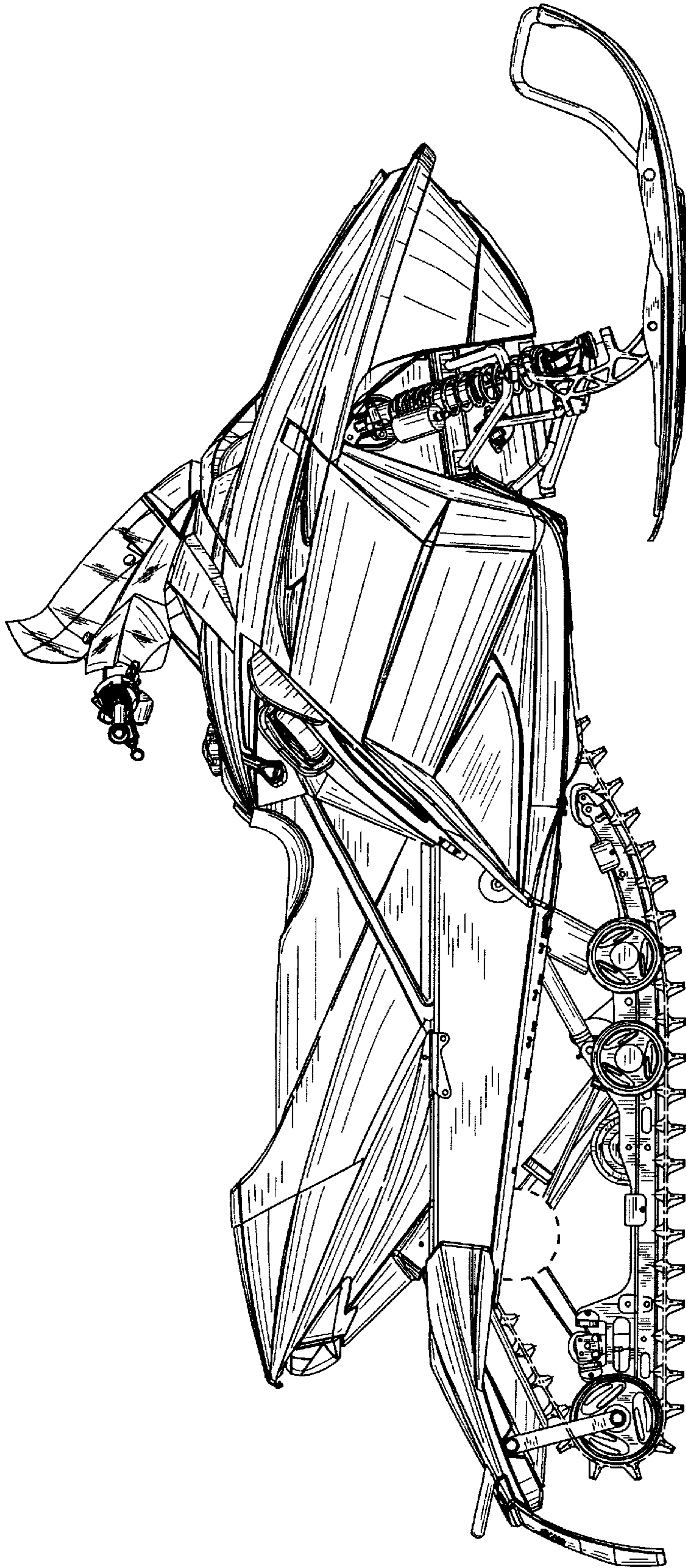


FIG. 2

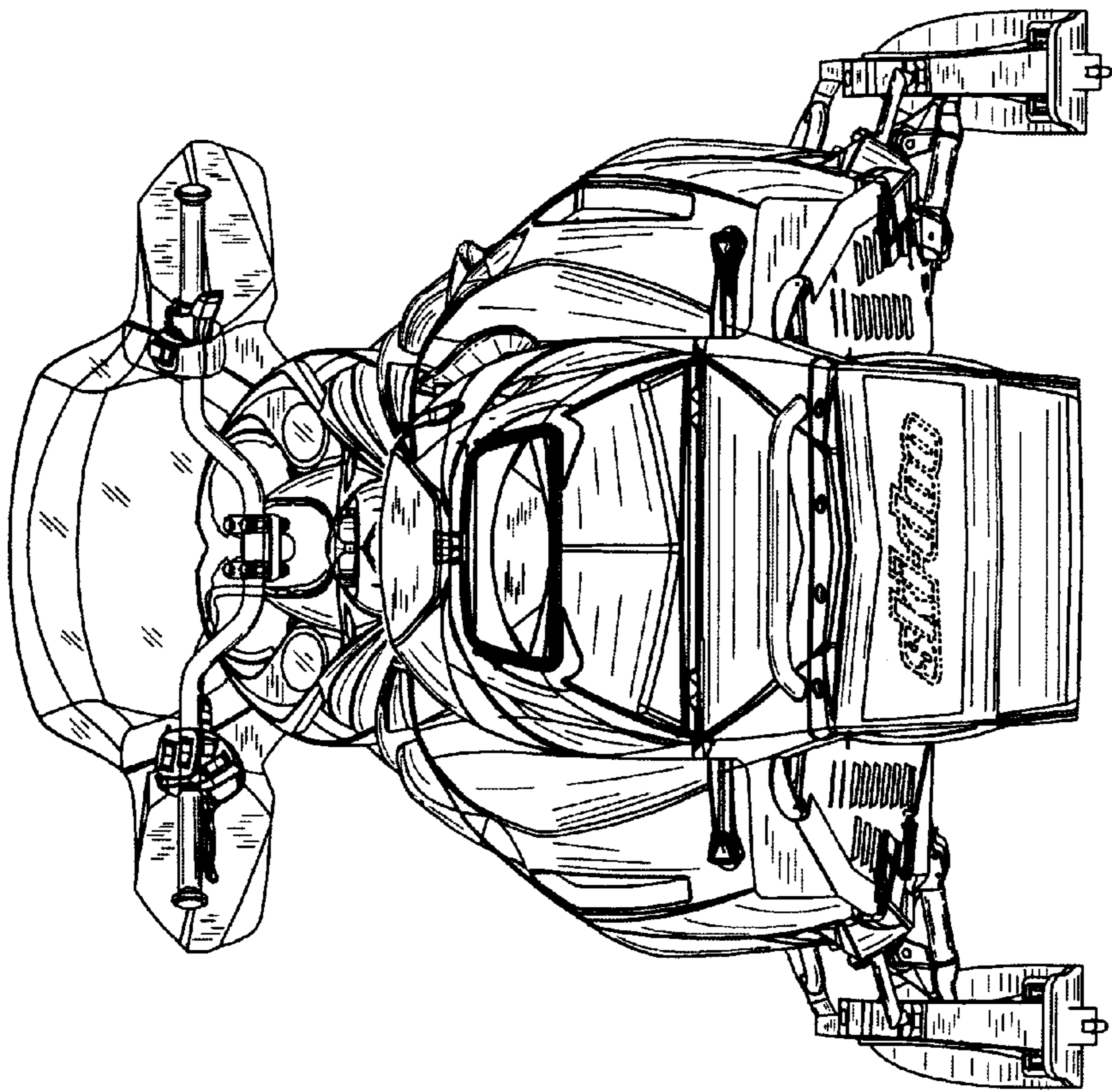


FIG. 3

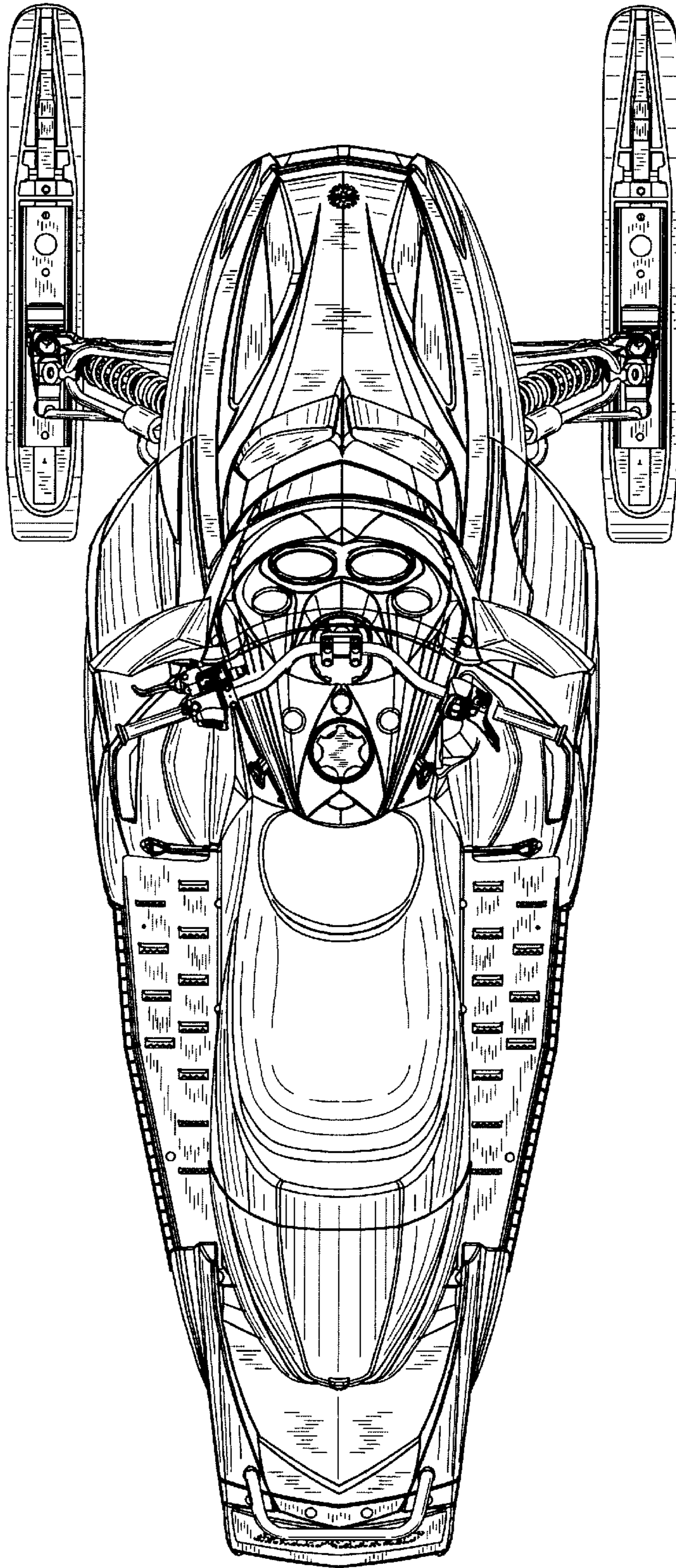


FIG. 4

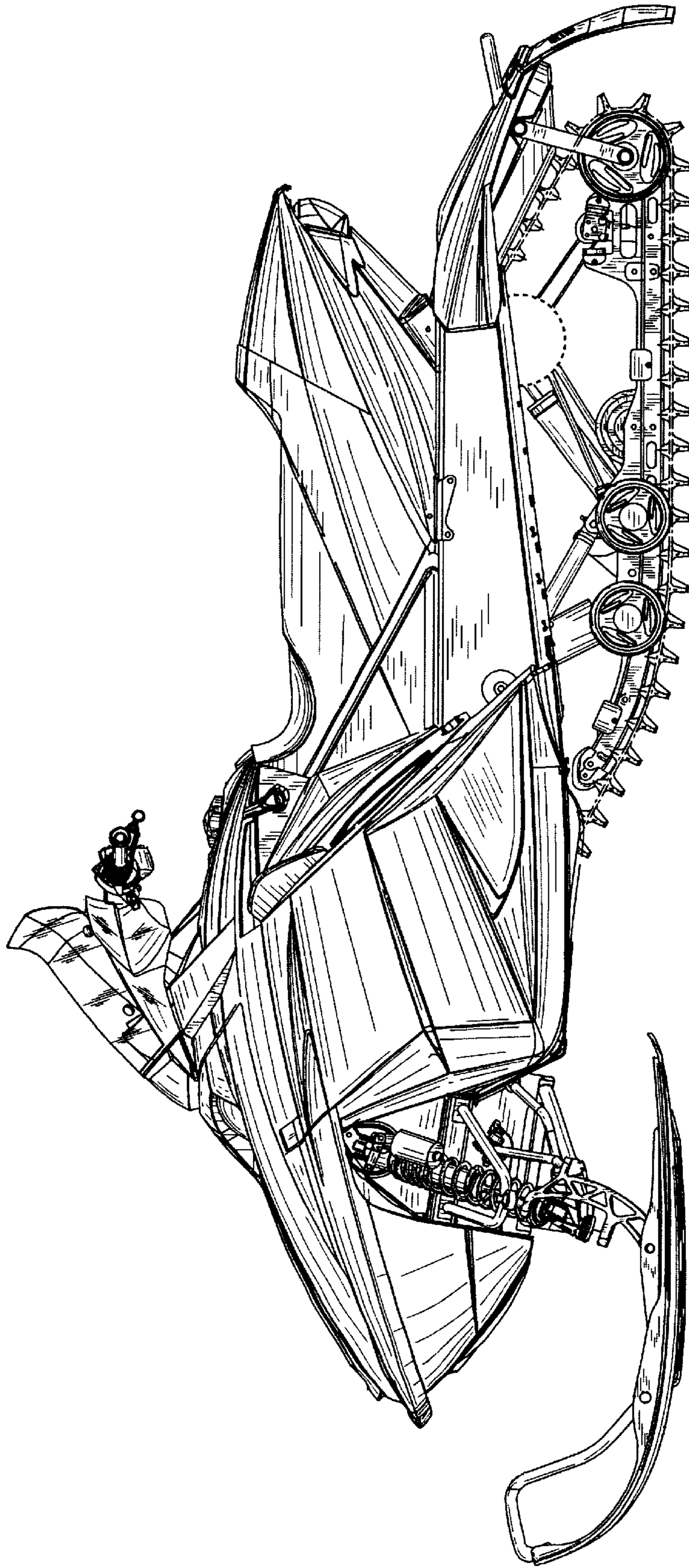


FIG. 5

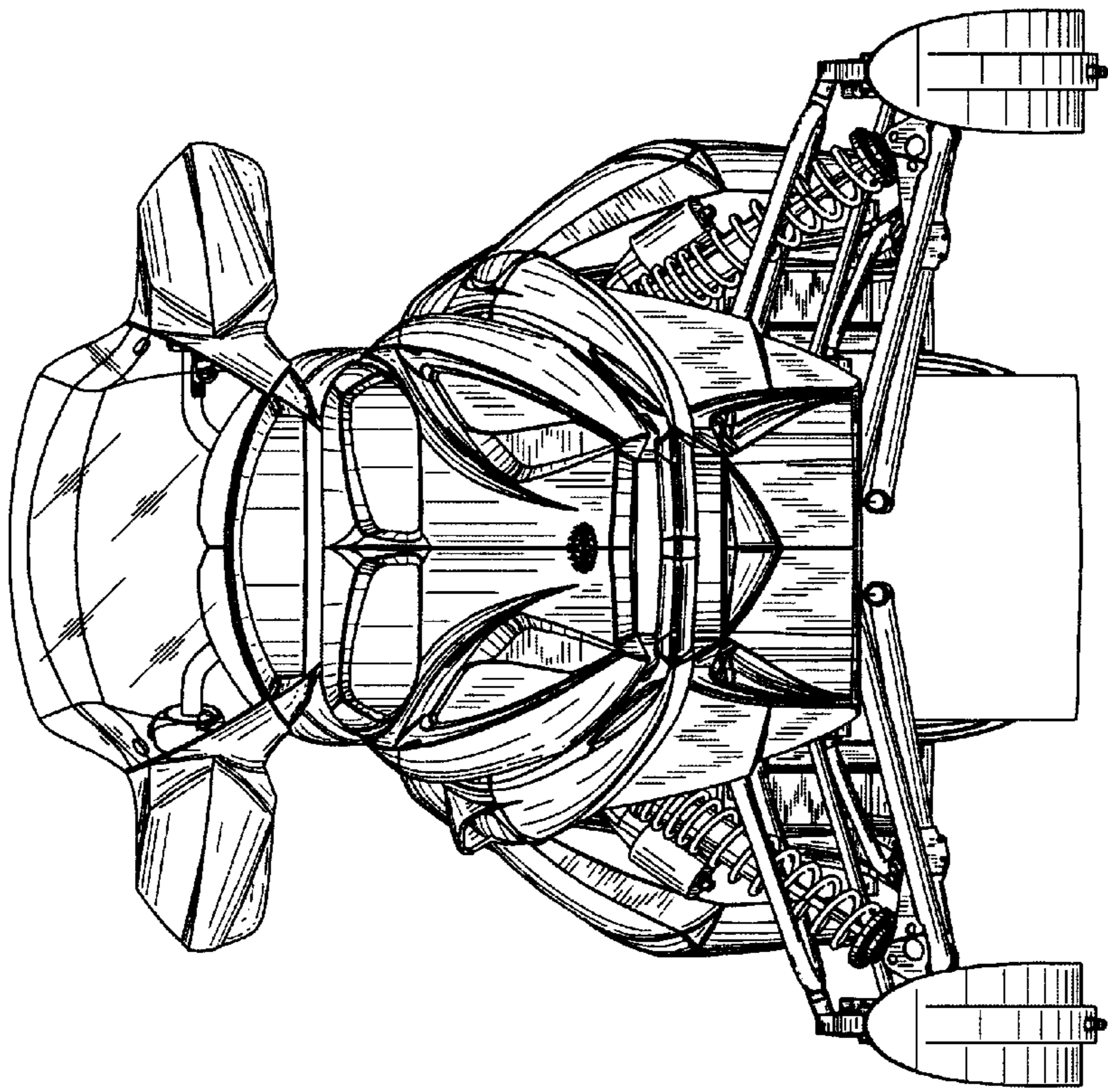


FIG. 6