



US00D479799S

(12) **United States Design Patent**
Zamberg et al.

(10) **Patent No.:** **US D479,799 S**

(45) **Date of Patent:** **** Sep. 23, 2003**

(54) **EDGE PROTECTOR**

6,534,049 B2 * 3/2002 Bennett 52/287.1

* cited by examiner

(75) Inventors: **Paul Zamberg**, New Port Coast, CA (US); **Mario Ernesto Montano**, West Covina, CA (US)

Primary Examiner—Brian N. Vinson

(74) *Attorney, Agent, or Firm*—Knobbe, Martens, Olson & Bear, LLP

(73) Assignee: **El-Com Hardware, Inc.**, Garden Grove, CA (US)

(57) **CLAIM**

(**) Term: **14 Years**

The ornamental design for an edge protector, as shown and described.

(21) Appl. No.: **29/139,942**

DESCRIPTION

(22) Filed: **Apr. 9, 2001**

FIG. 1 is a perspective view of the interior of an edge protector showing my new design;

(51) **LOC (7) Cl.** **08-01**

FIG. 2 is a perspective view of the exterior thereof;

(52) **U.S. Cl.** **D8/403**

FIG. 3 is an elevational view of a side of the interior thereof;

(58) **Field of Search** D8/403; 248/345.1; 52/287.1; 312/137; D25/119, 164

FIG. 4 is an elevational view of the side adjacent of the interior thereof;

(56) **References Cited**

FIG. 5 is an elevational view of a side of the exterior thereof;

U.S. PATENT DOCUMENTS

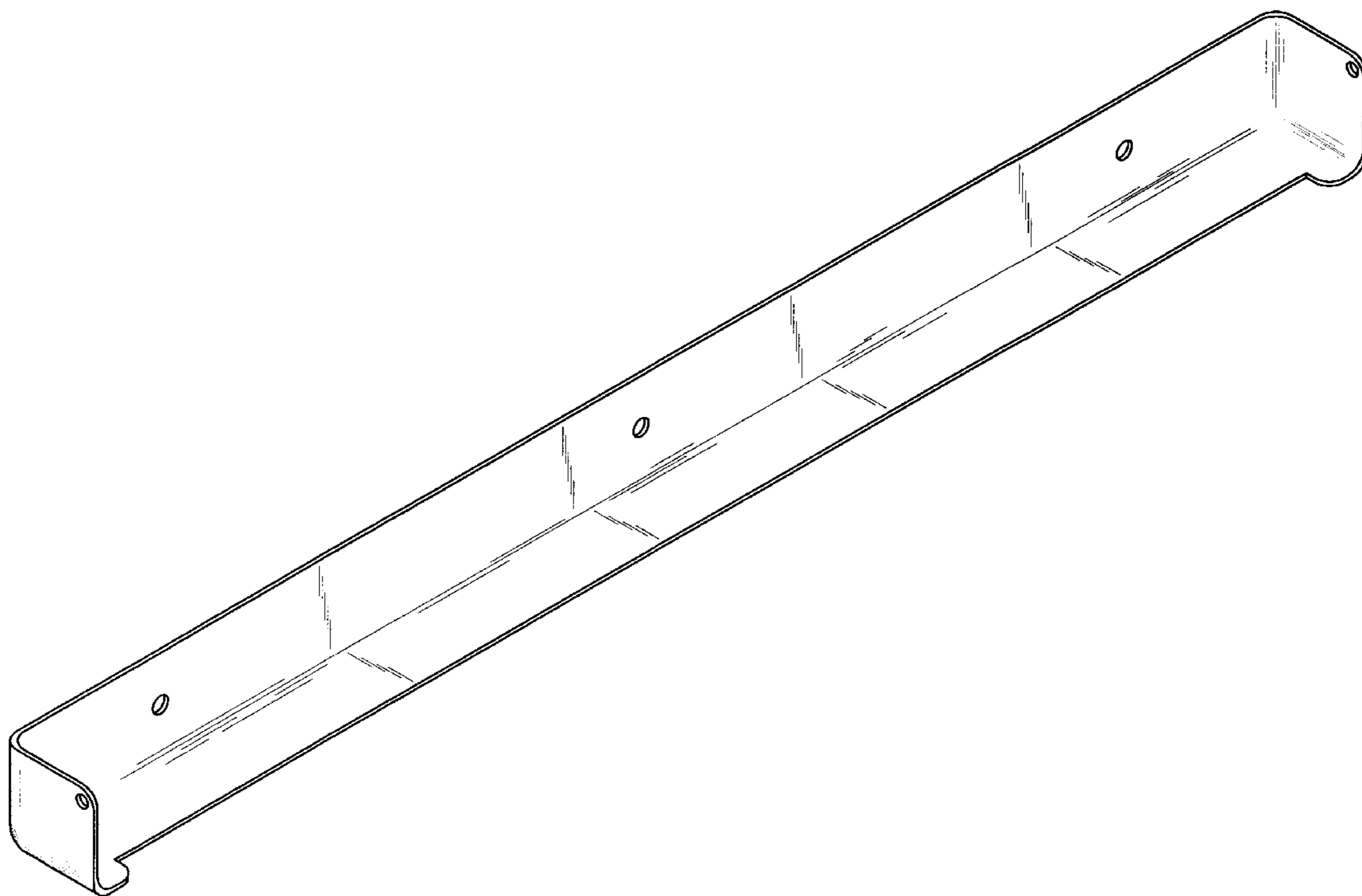
FIG. 6 is an elevational view of the side adjacent of the exterior thereof; and,

D117,893 S * 12/1939 Bonnell D8/403

FIG. 7 is an enlarged end elevational view thereof, the end opposite being a mirror image of that shown.

3,922,408 A * 11/1975 Smith 428/40.1

1 Claim, 4 Drawing Sheets



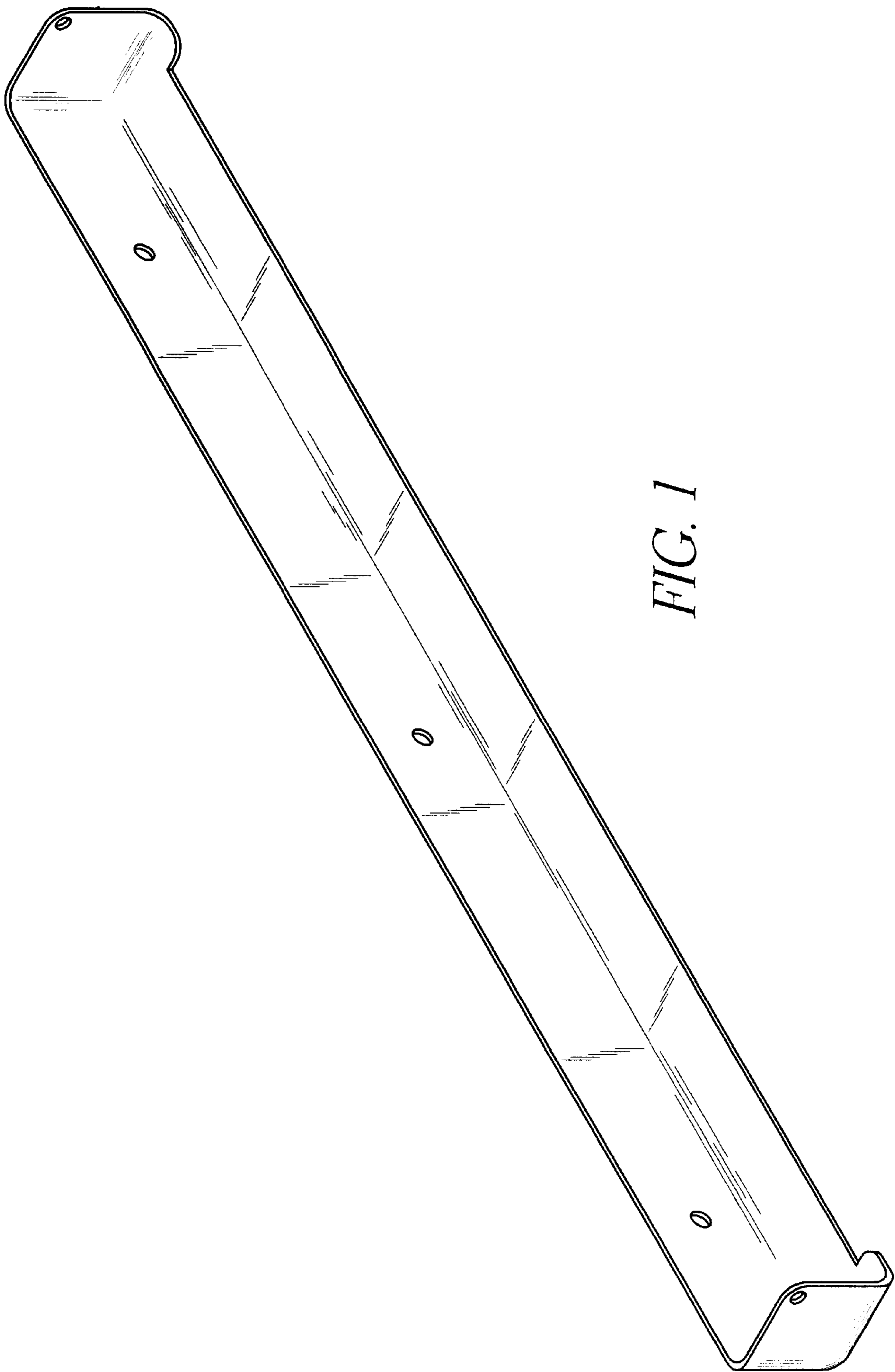


FIG. 1

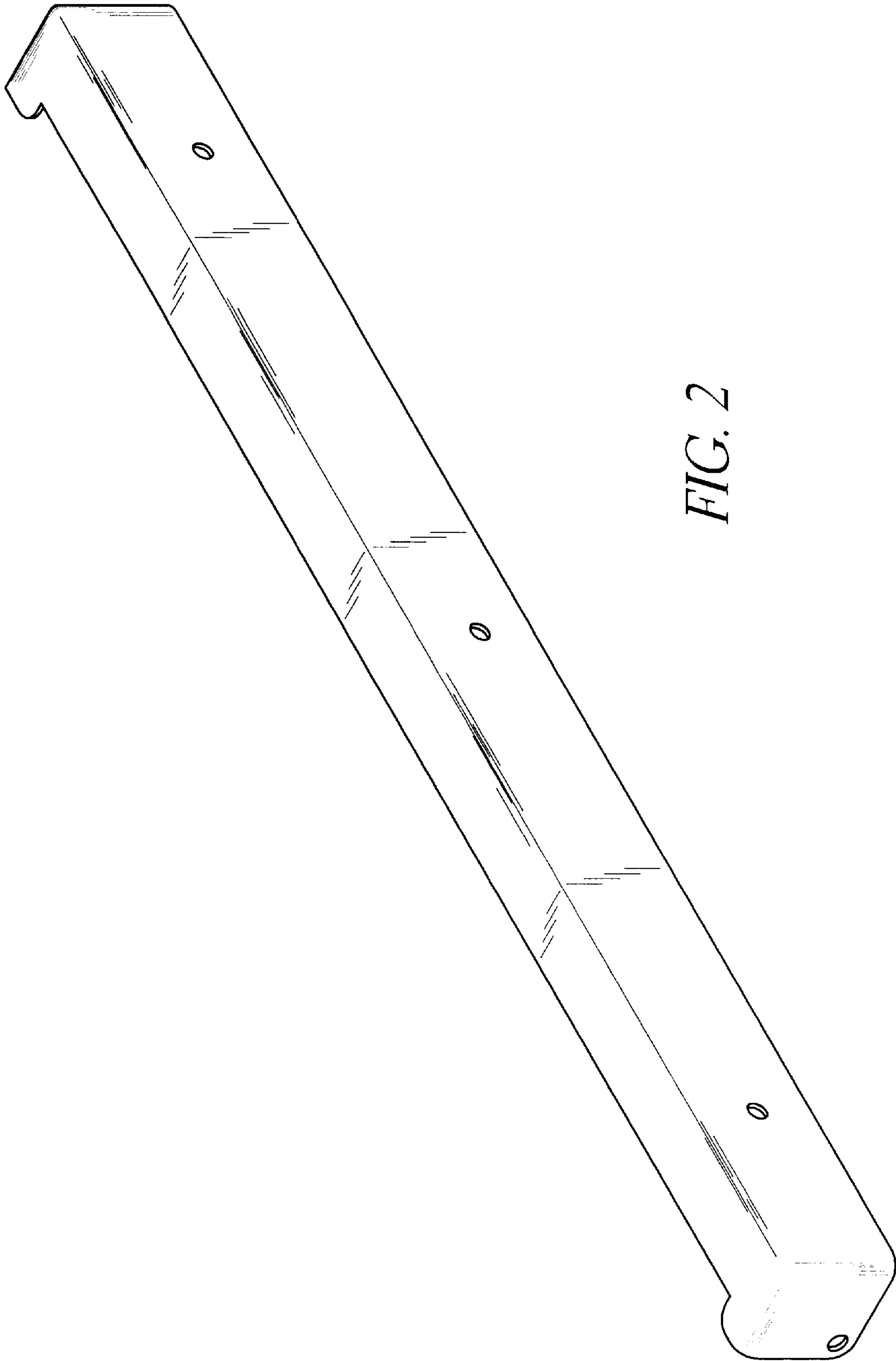


FIG. 2

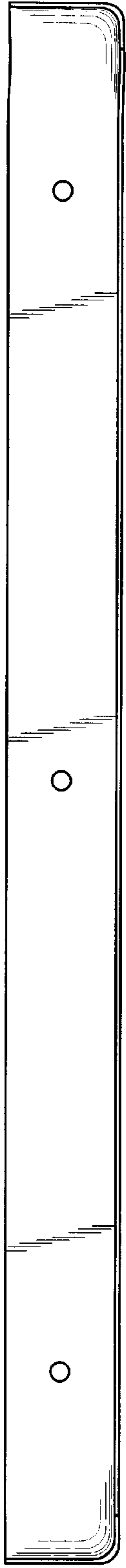


FIG. 3

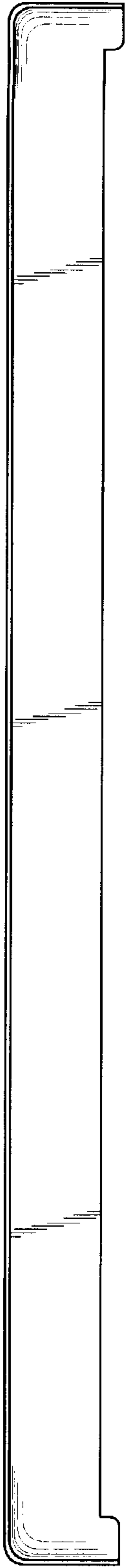


FIG. 4

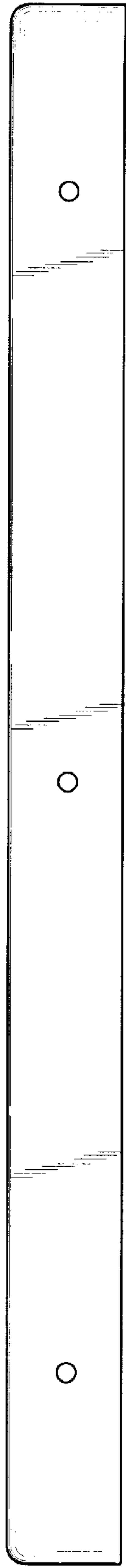


FIG. 5

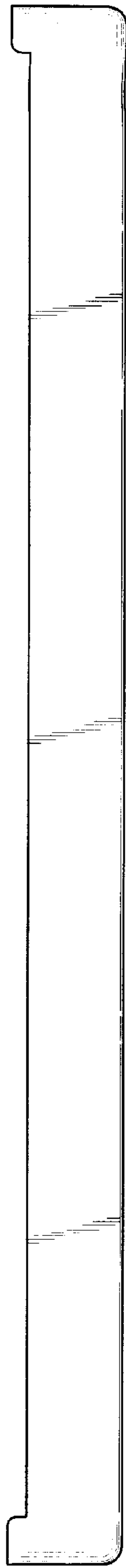


FIG. 6

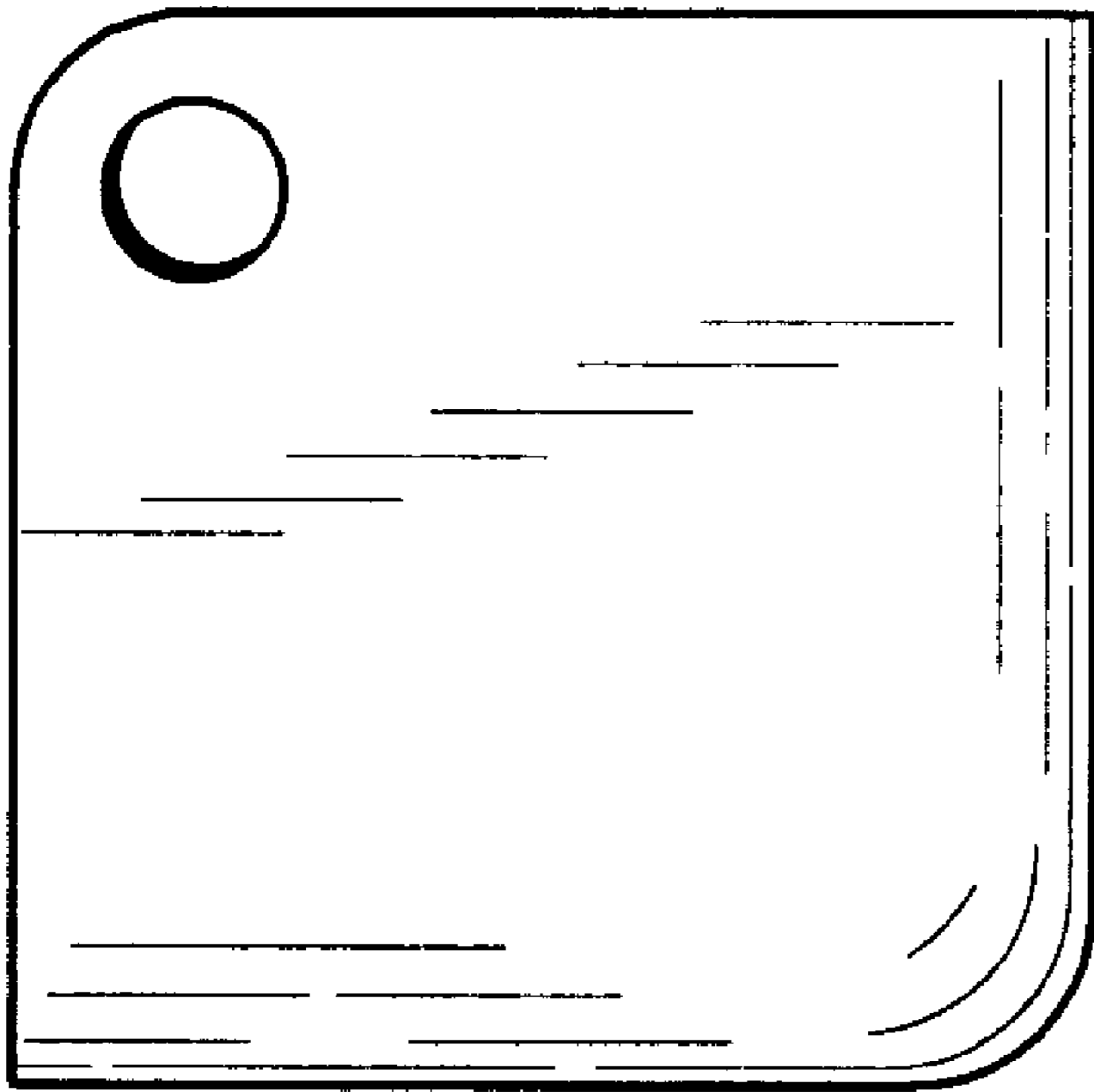


FIG. 7